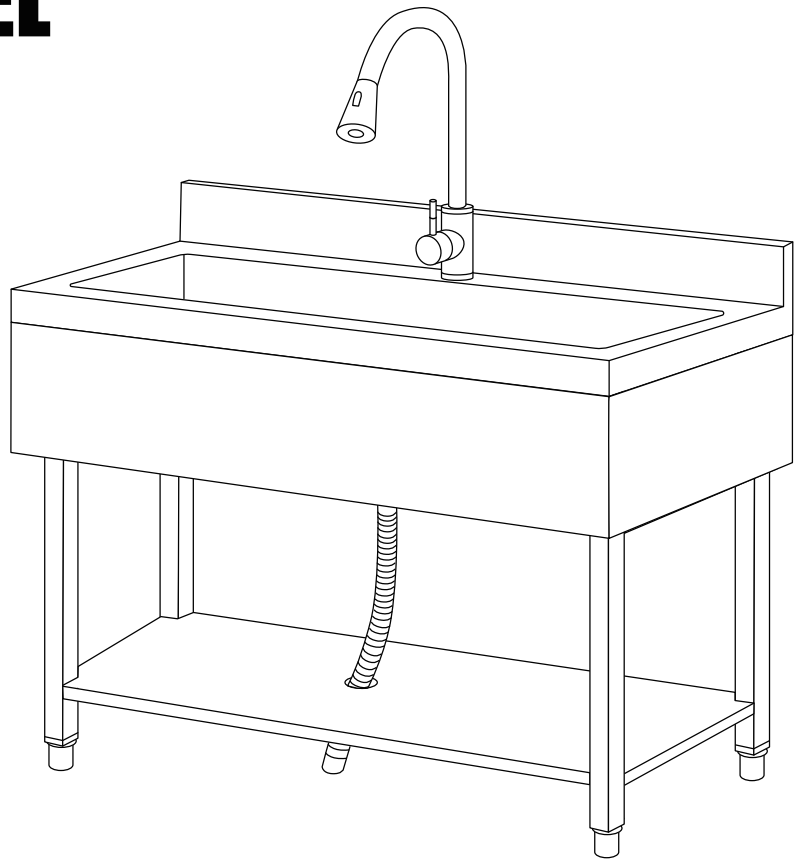


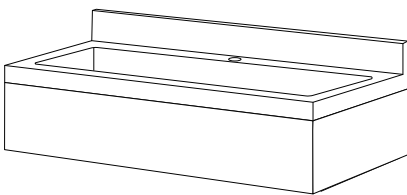
STAINLESS STEEL SINGLE WATER TANK

Installation Instructions

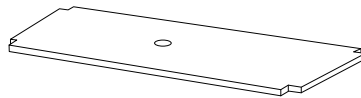


Product Components

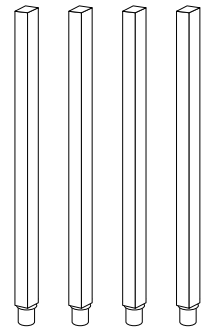
A x1 Sink Countertop



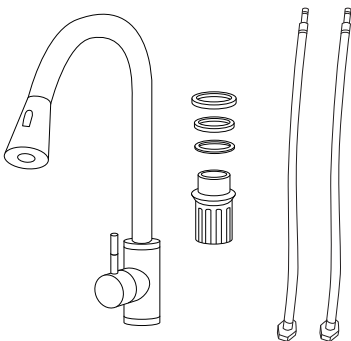
B x1 Bottom Panel



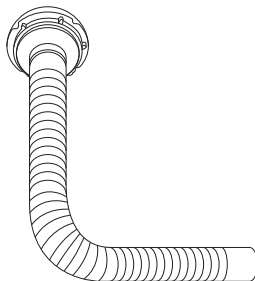
C x4 Foot



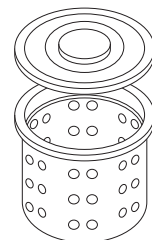
D x1 Faucet set



E x1 Drain pipe set

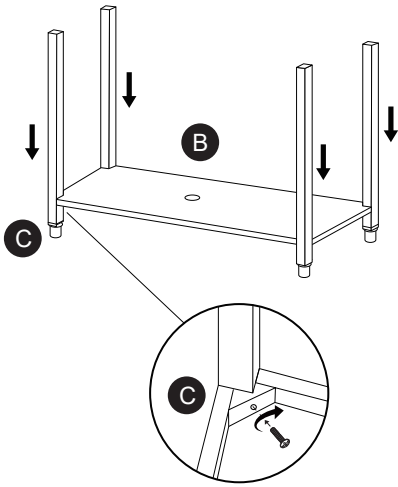


F x1 Drain basket set

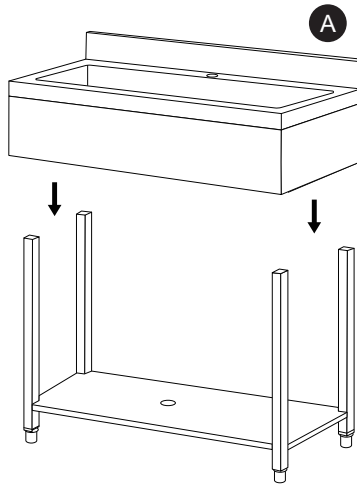


Schematic diagram of installation instructions

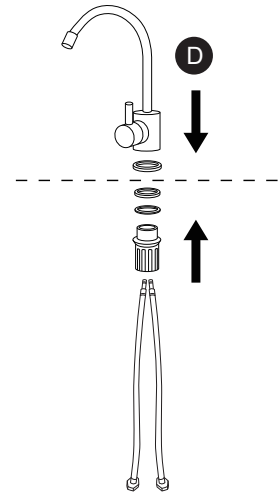
- 1** Insert the feet into the bottom panel and tighten the screws to secure.



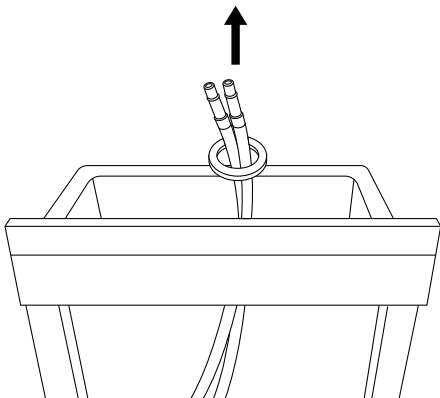
- 2** Install the sink countertop.



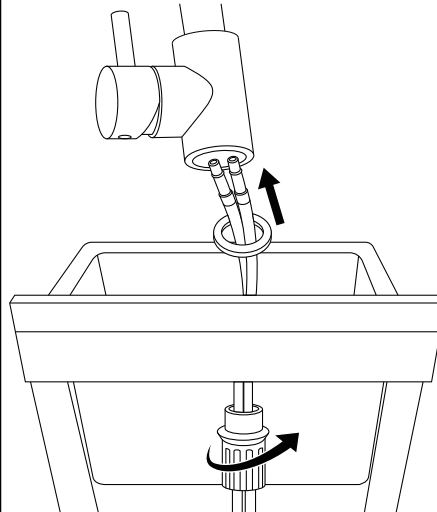
- 3** Remove the locking nut, rubber washer, and metal protective washer from the faucet.



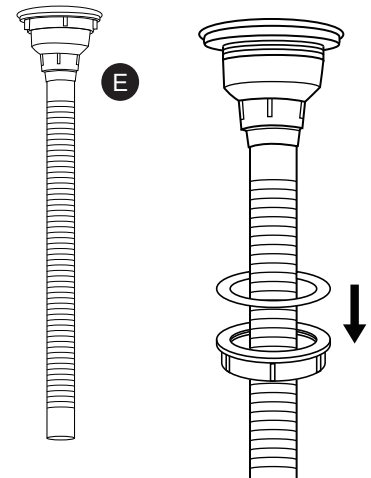
- 4** Insert the hot and cold water pipes from under the sink, place the metal protective gasket on the table, and tighten the water pipes and faucets.



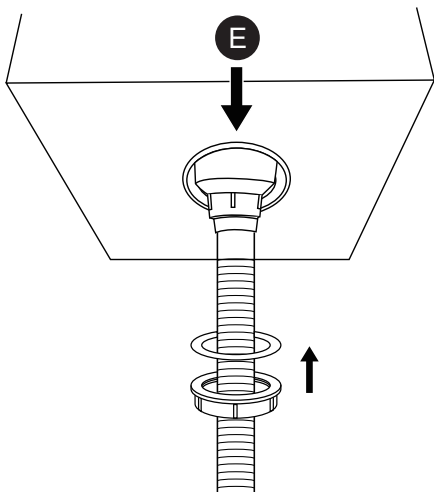
- 5** Tighten the locking nut and rubber washer from the bottom of the sink to secure the faucet.



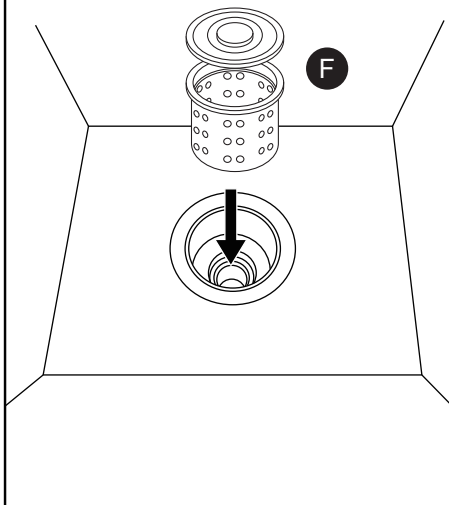
- 6** Unscrew the knob and black gasket of the drain pipe set bottom.



- 7** After the other parts through the drain hole, screw the knob and washer back in from the bottom and tighten.



- 8** Place drain basket and lid in.



- 9** Installation Complete.

