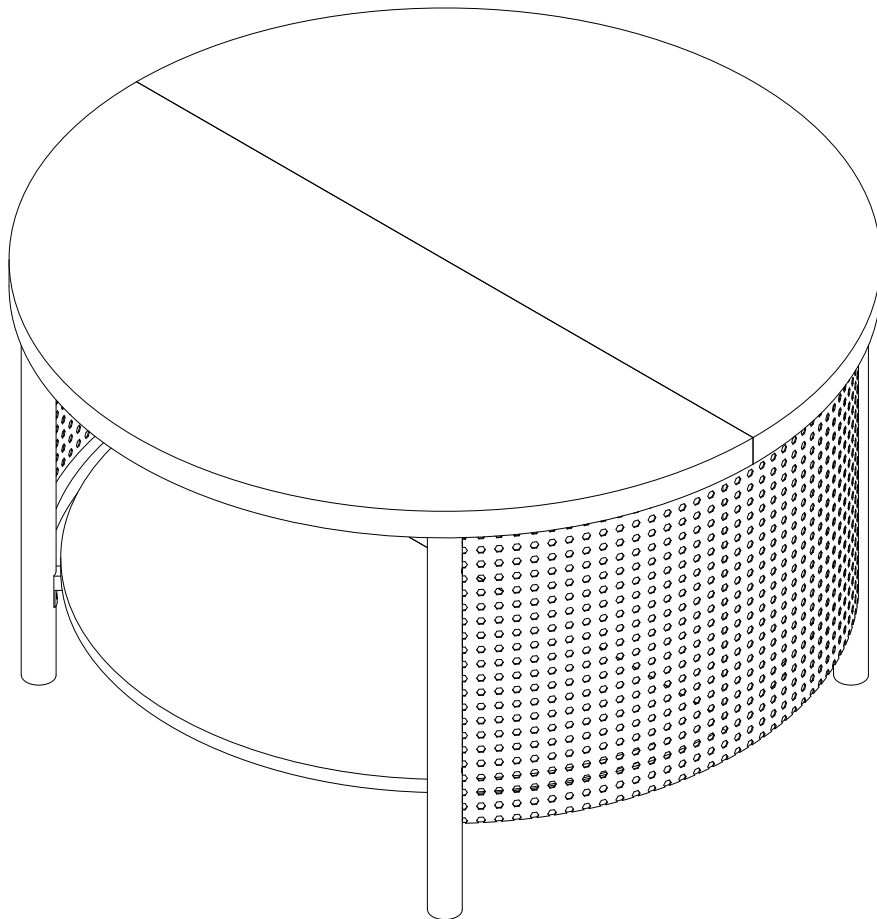


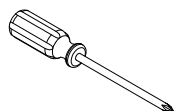
Installation Instruction



Assembling

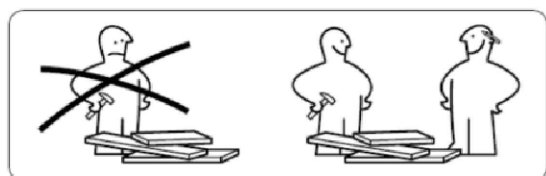
What you need

- Use the packaging carton as a working surface to prevent product damage during assembly
- Phillips head screwdriver



Weight Limitation

 **100** | **35**
lbs table top lbs per

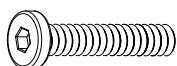


What' included

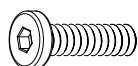
Code	Description	Qty
A	Flat head hexagon 6X25MM	8
B	Flat head hexagon 6X20MM	8
C	Flat head hexagon 6X10MM	16
D	Cross iron plates	2
E	Foot pads	1
F	Wooden Dowel M8X40MM	3

The Hardware

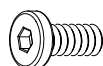
Ⓐ



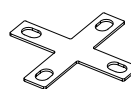
Ⓑ



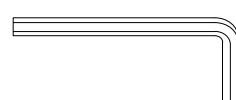
Ⓒ



Ⓓ



Ⓔ



Ⓕ



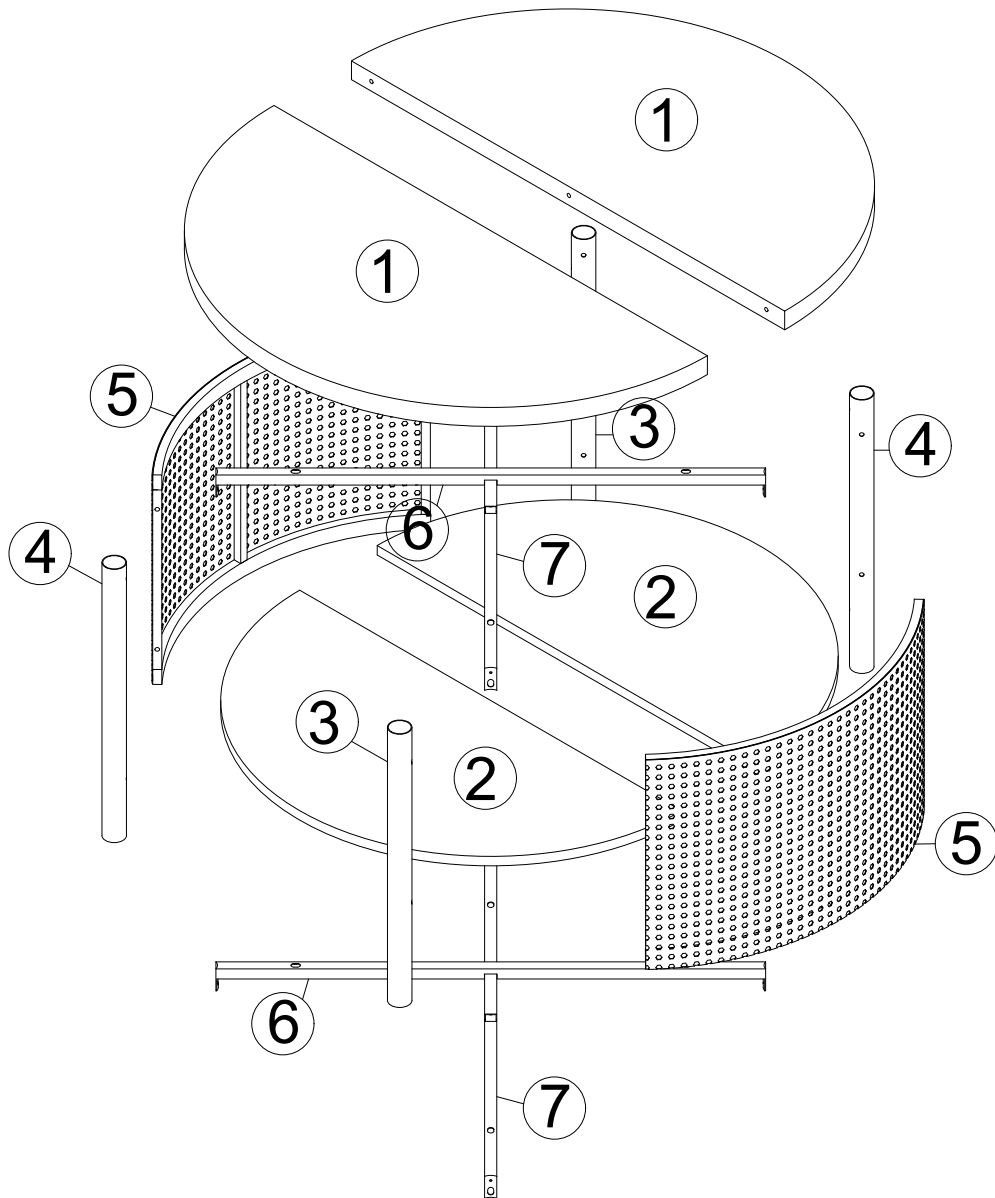
IMPORTANT:

1. Do not tighten bolts / screws completely until all bolts / screws are lined up and inserted into holes.
2. Do not over tighten screws and bolts to avoid stripping
3. Please use hand tools to assemble this product, you can also use power tools (please use power tools carefully)

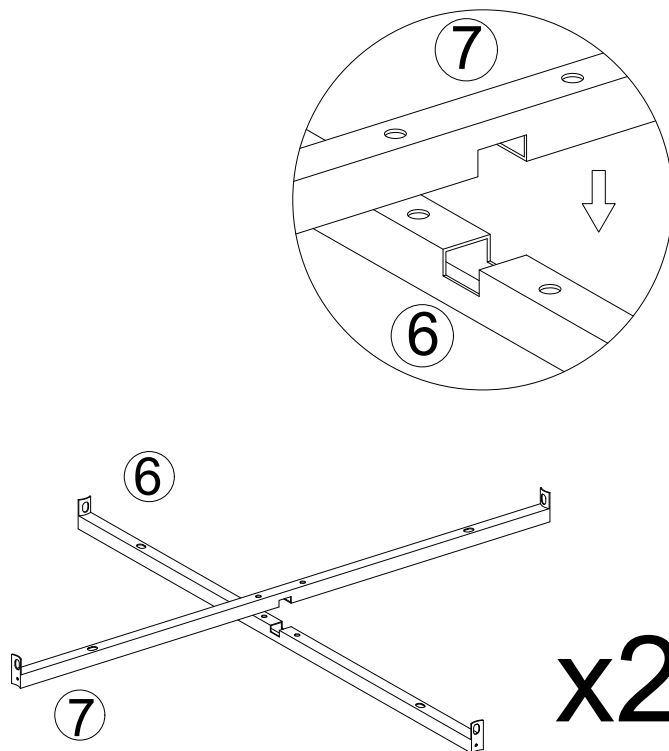
Included Accessories

Code	Description	Qty
1	Panel	2
2	Shelf board	2
3	Iron tube legs 1	2
4	Iron tube legs 2	2
5	Side mesh	2
6	Upper bracket	2
7	Lower bracket	2

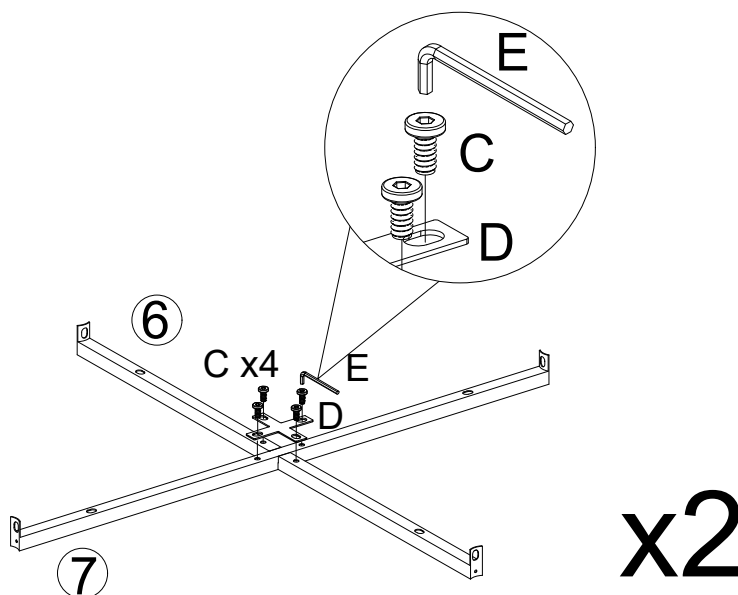
The Accessoriess



Step 1



Step 2

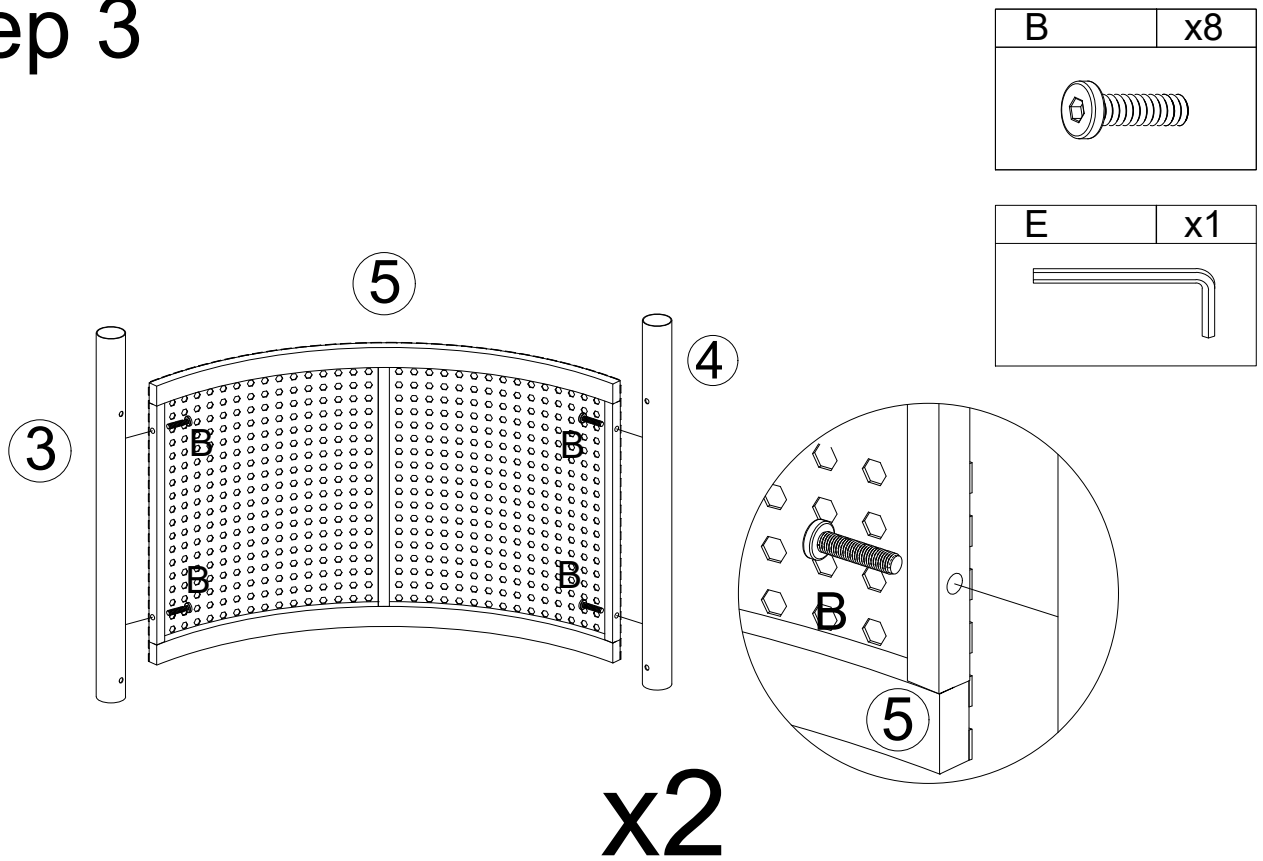


C	x8

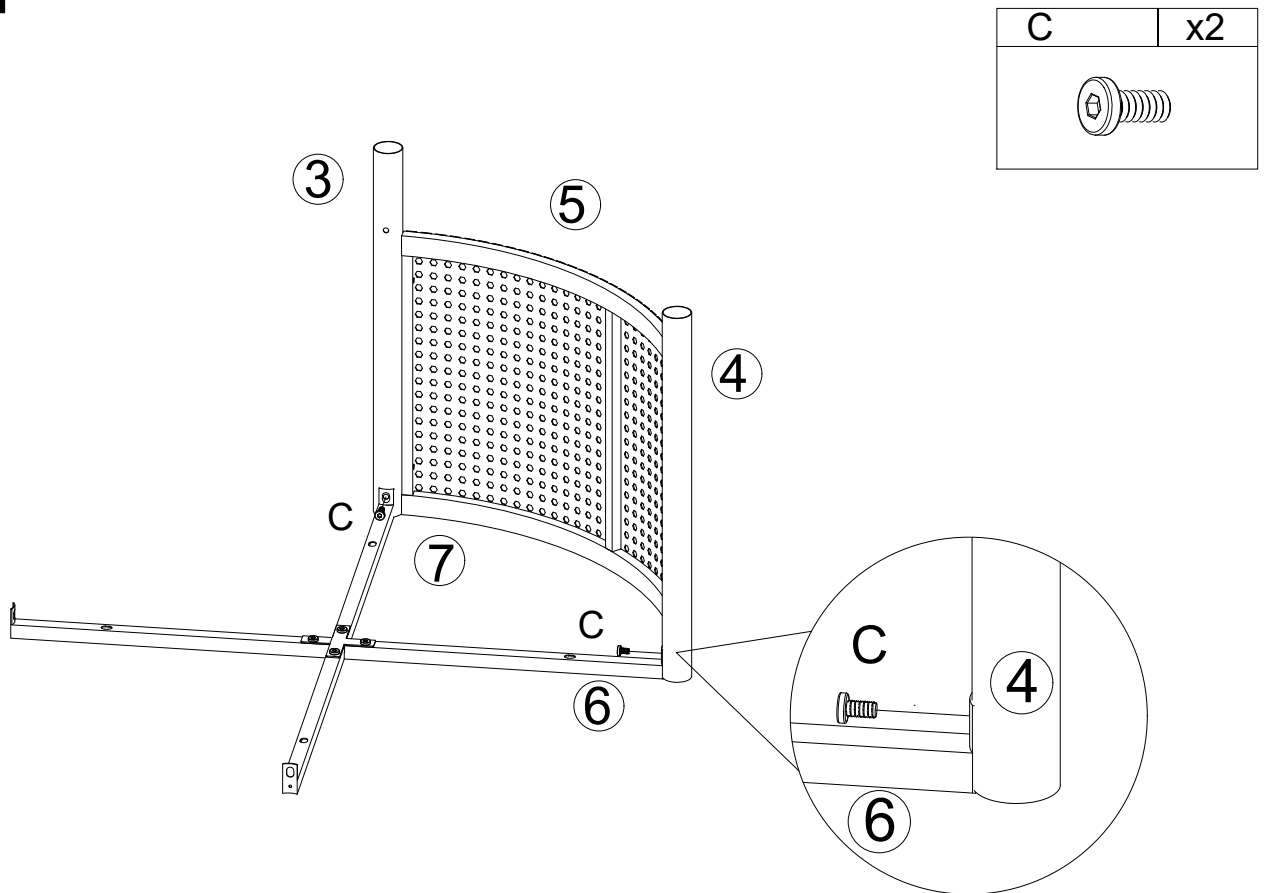
D	x2

E	x1

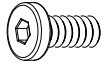
Step 3

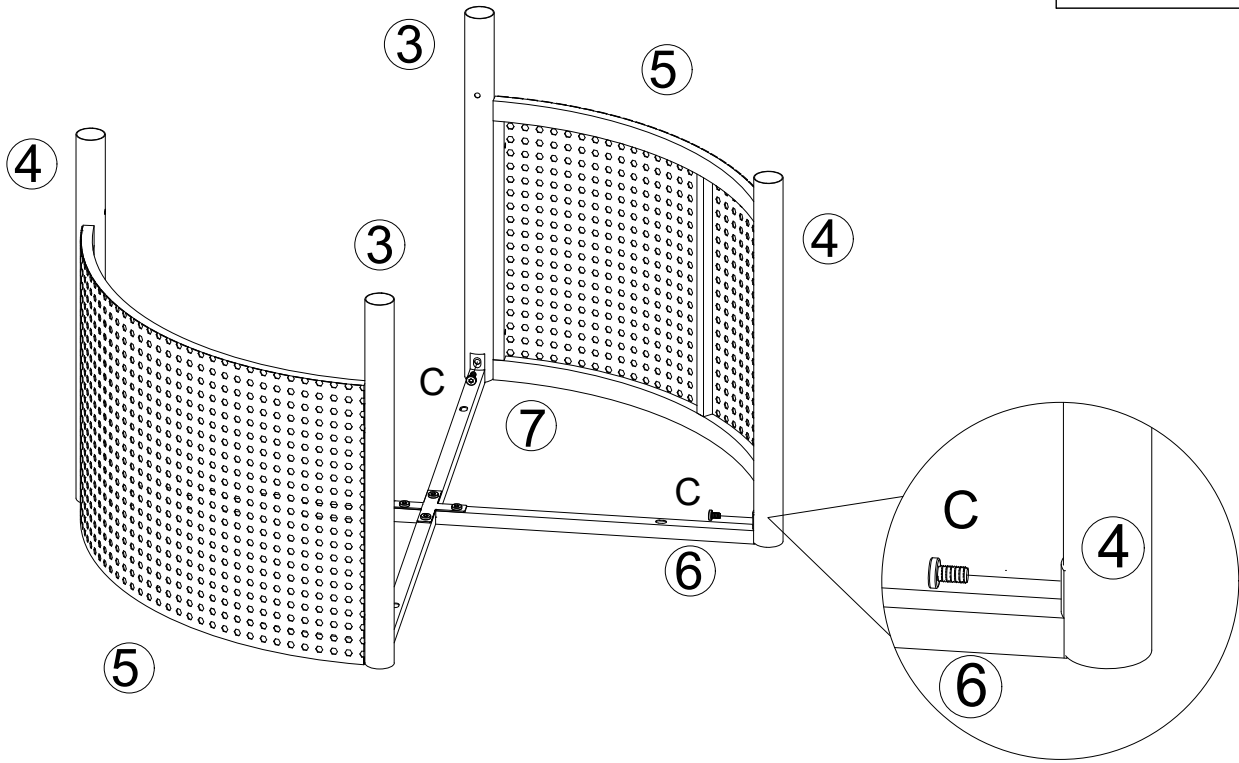


Step 4




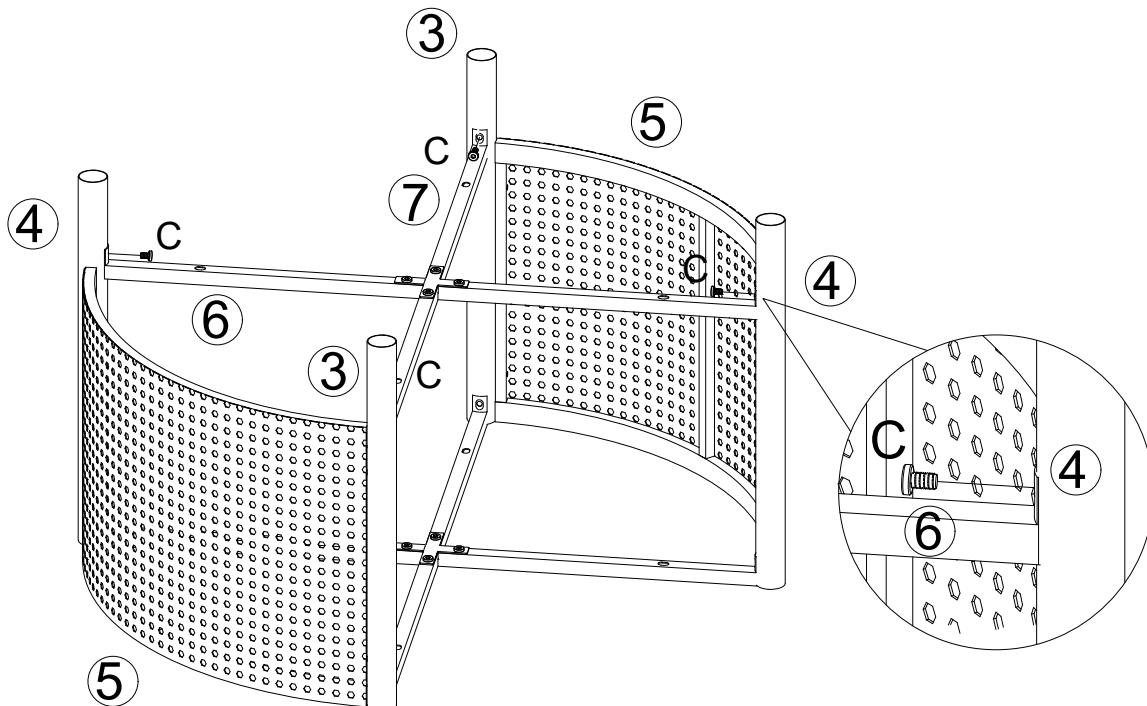
Step 5

C	x2
	




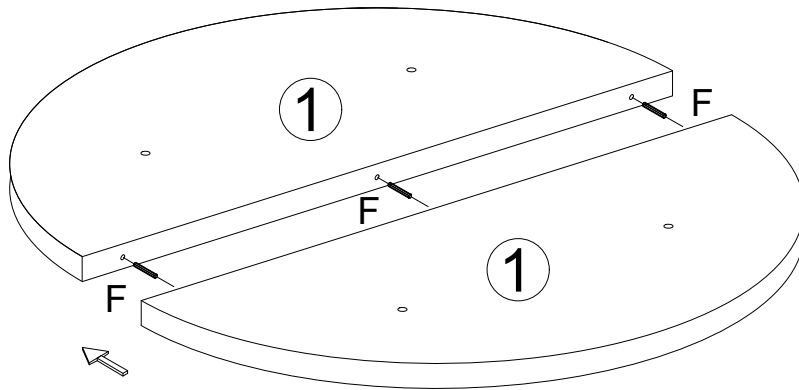
Step 6

C	x4
	




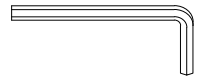
Step 7

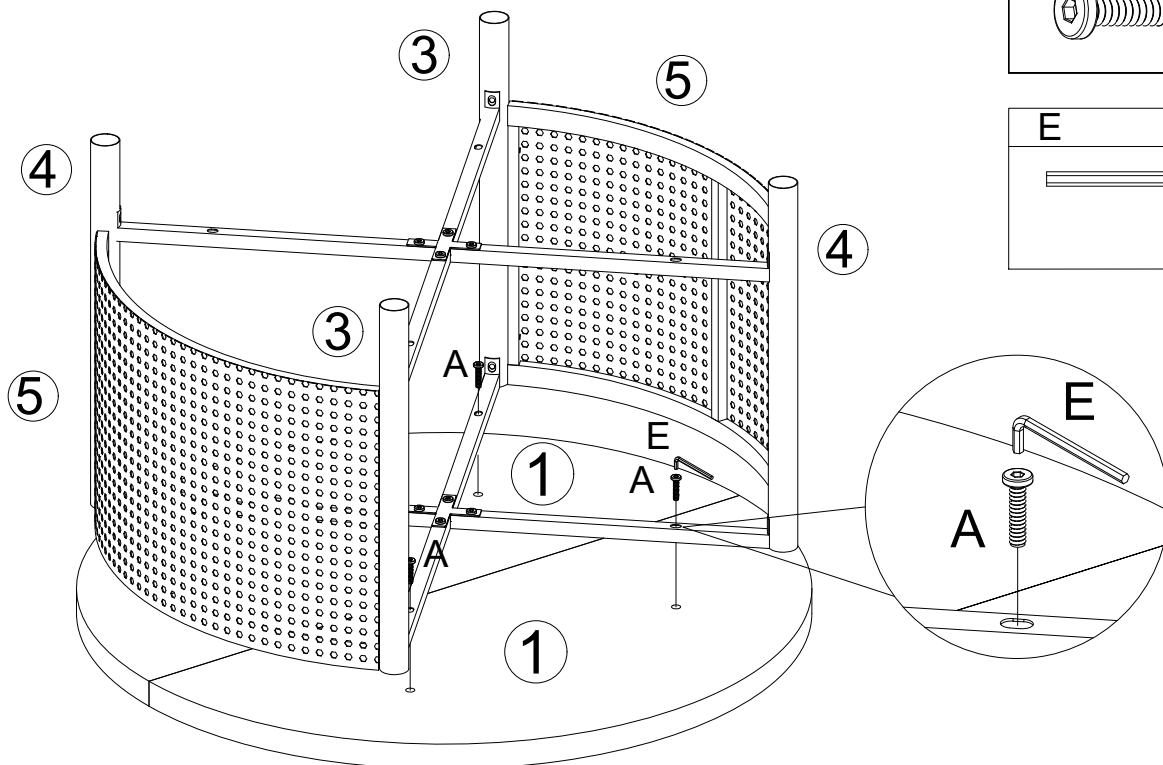
F	x3
	



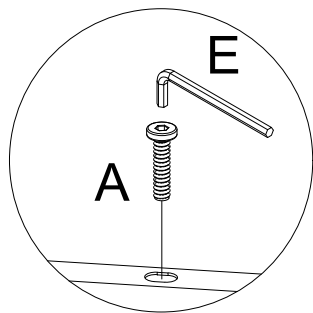
Step 8

A	x4
	

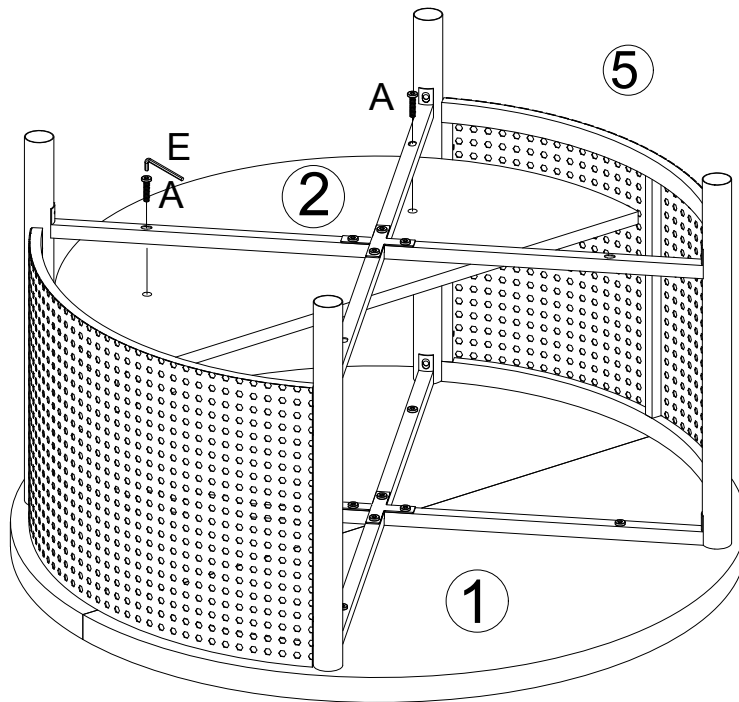
E	x1
	



Step 9



5



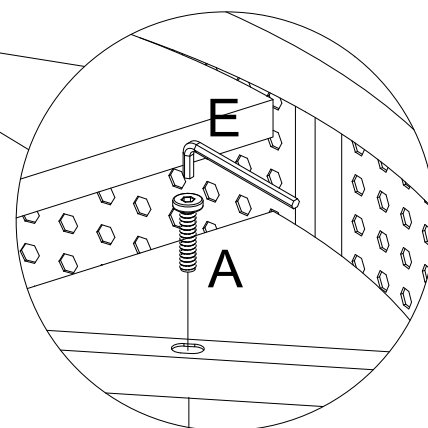
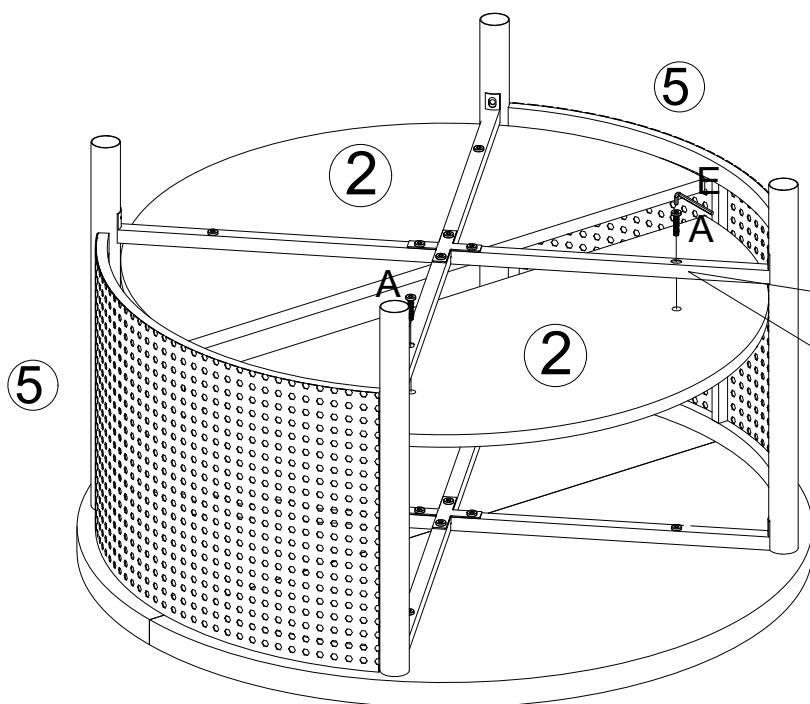
A	x2

E	x1

Step 10

A	x2

E	x1



Two people work together to move the table. Make sure you lift it off the ground. Don't push and pull.

Please tighten the locking iron frame screws after the installation is completed