



Shelf Coat Rack SCR5



If you need assistance, please call 1-877-ENCLUME
Enclume Design Products
24 Colwell Street, Port Hadlock, WA 98339

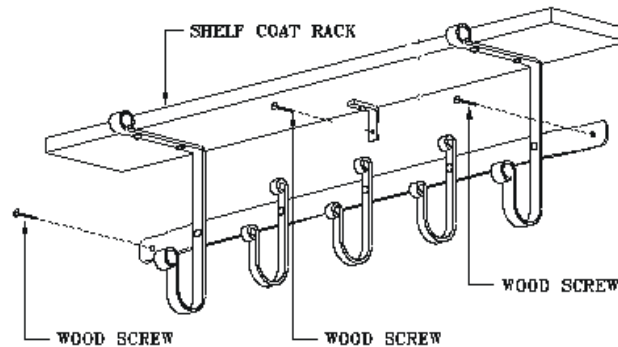
Enclosed you will find everything needed for the assembly and use of your shelf coat rack. The parts and hardware included are:

Hardware included:

- 3 - 1 1/2" Wood Screws
- 1 – Toggler Kit (3)

Components included:

- 1 - Shelf Coat Rack (assembled)



ASSEMBLY AND INSTALLATION INSTRUCTIONS

Rack Assembly

- 1) Carefully measure and mark the wall.
- 2) If you are mounting into solid wood, use the three mounting screws provided. The end holes in the rack are 32" apart to match standard wall studs. If mounting into sheetrock, use the Toggles provided and the instructions in the kit bag.

WARNING: It is important that your shelf coat rack is assembled correctly. If the unit is assembled or used incorrectly, it could become unstable and collapse, possibly causing injury.

LIMITED WARRANTY: This product is warranted to be free of material defects, other than that from normal use, for a period of five years from the date of purchase. Customer's exclusive remedy shall be the repair or replacement of the defective product and shall be subject to the following conditions: (1) notice of any defect is received by Enclume within the warranty period and (2) customer returns the defective product to Enclume Design Products, 24 Colwell St., Port Hadlock, WA 98339, postage prepaid within 20 days following a return authorization number (which may be obtained by telephoning the number at the top of this instructions) being provided to the customer by Enclume. There are no other warranties, expressed or implied. THERE ARE NO WARRANTIES OF MERCHANTABILITY OR FITNESS FOR A PARTICULAR PURPOSE. ENCLUME SPECIFICALLY DISCLAIMS ANY AND ALL INCIDENTAL OR CONSEQUENTIAL DAMAGES ARISING OUT OF THE PURCHASE OR USE OF ENCLUME'S PRODUCTS.