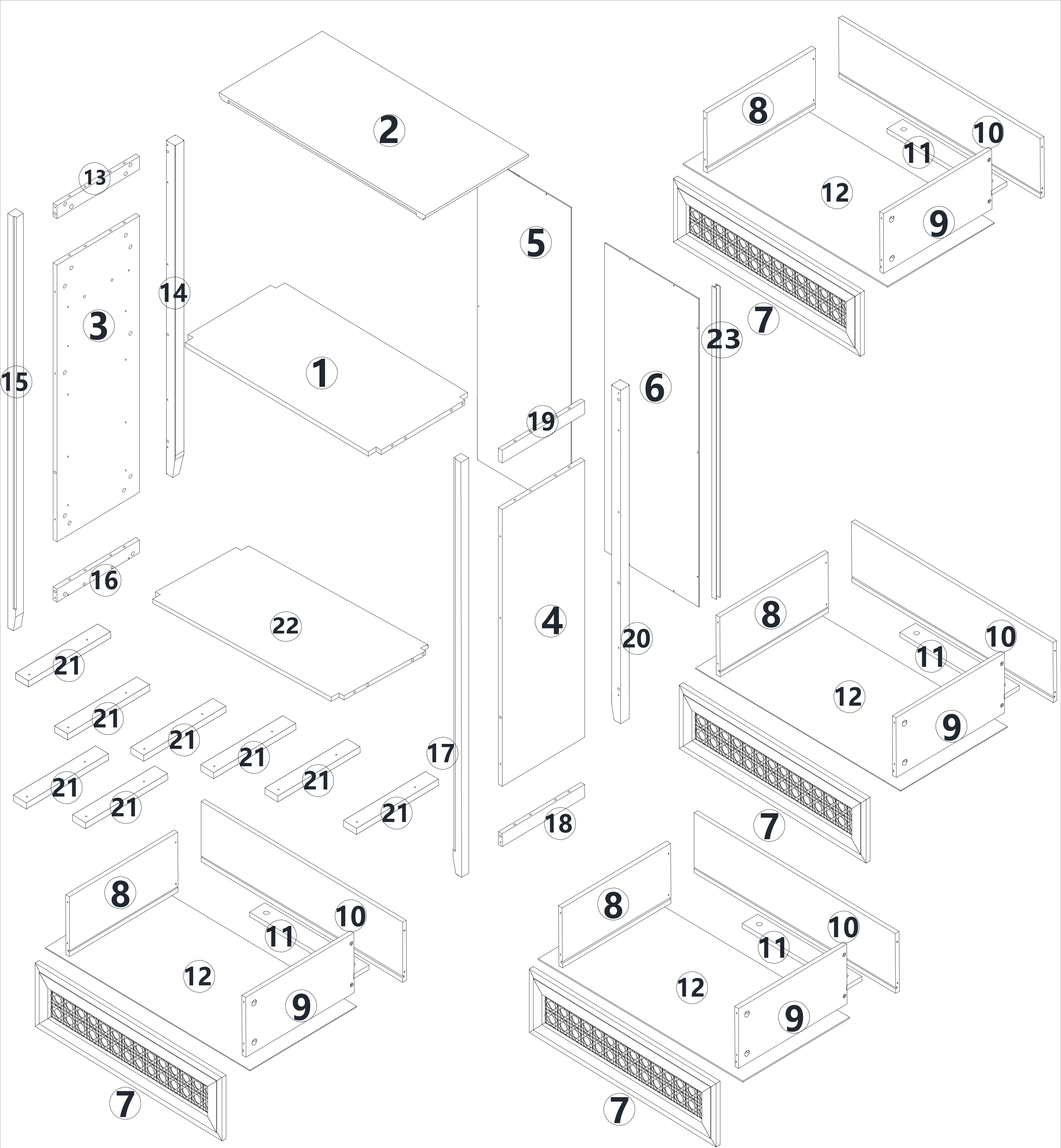

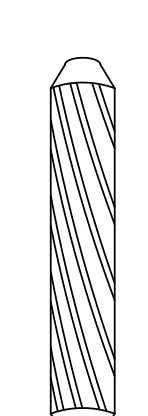
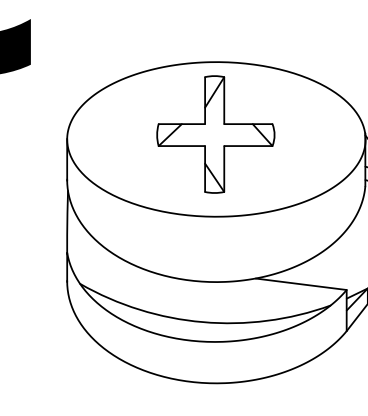
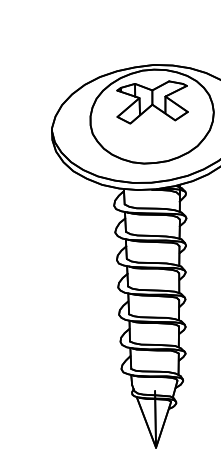
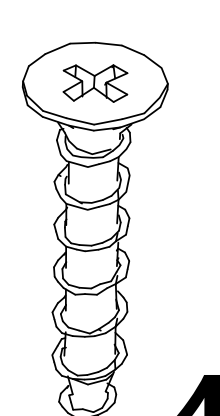
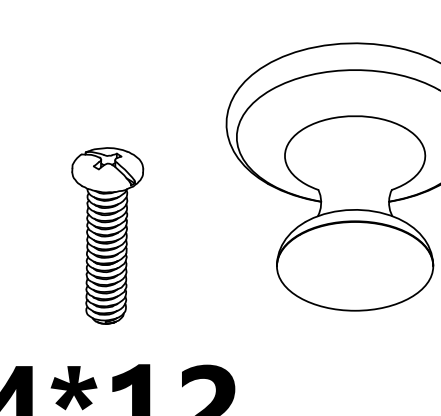
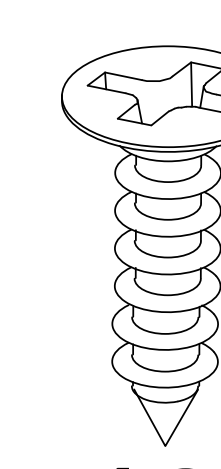
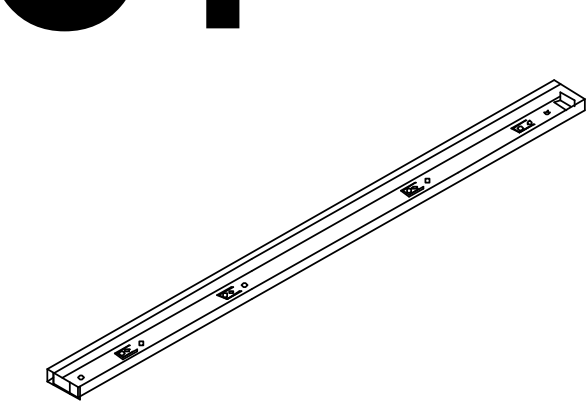
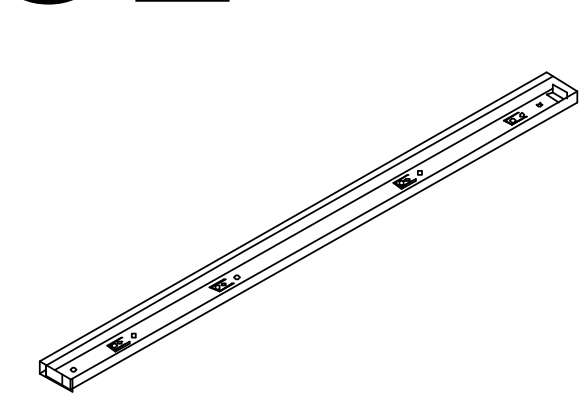
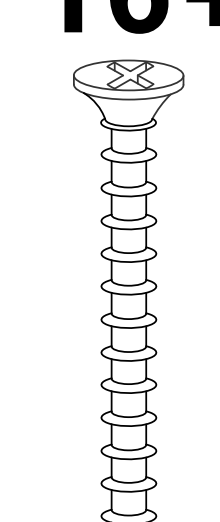
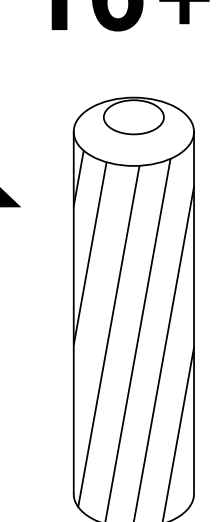
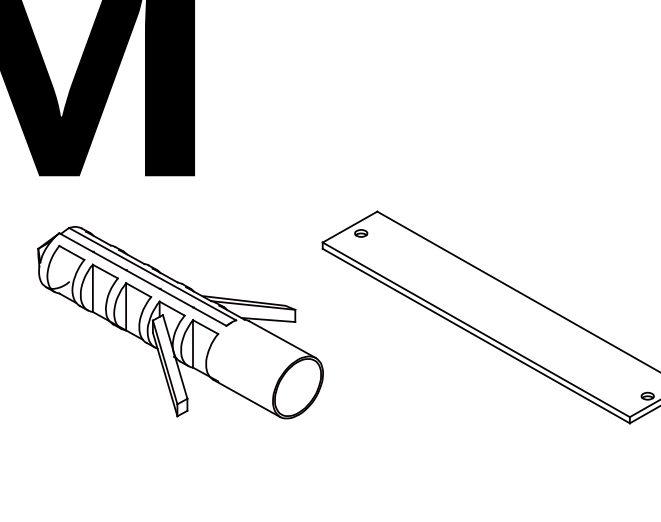
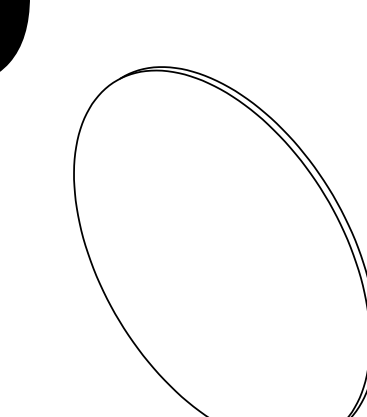
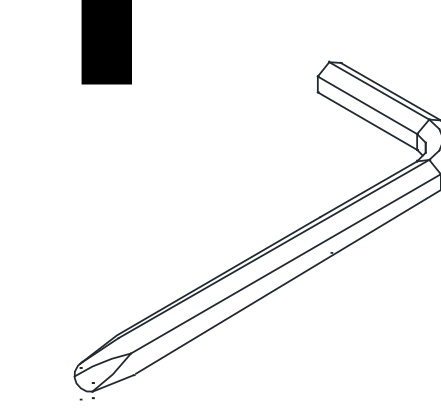
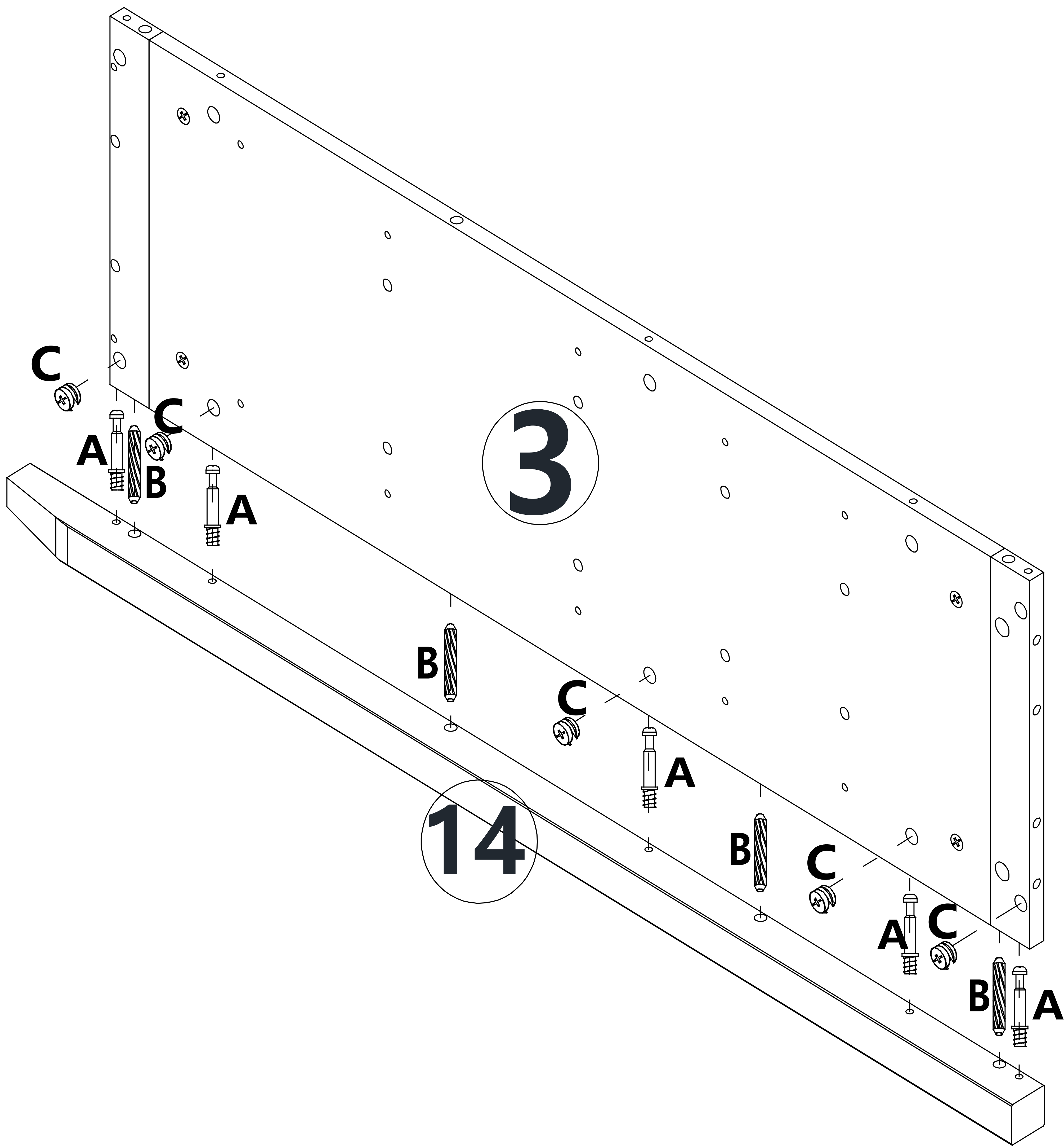
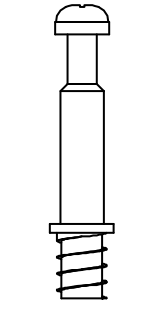
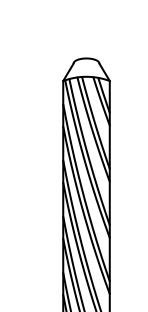
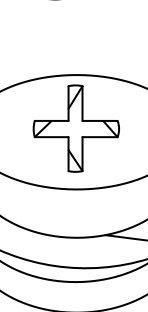


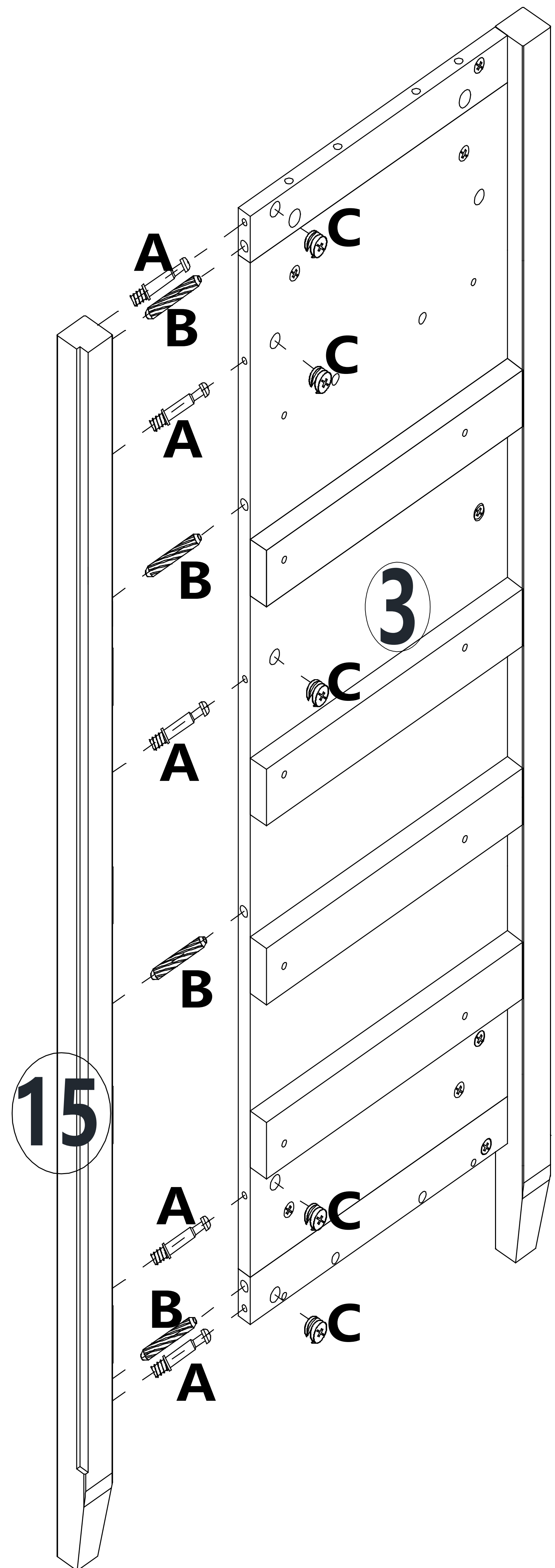
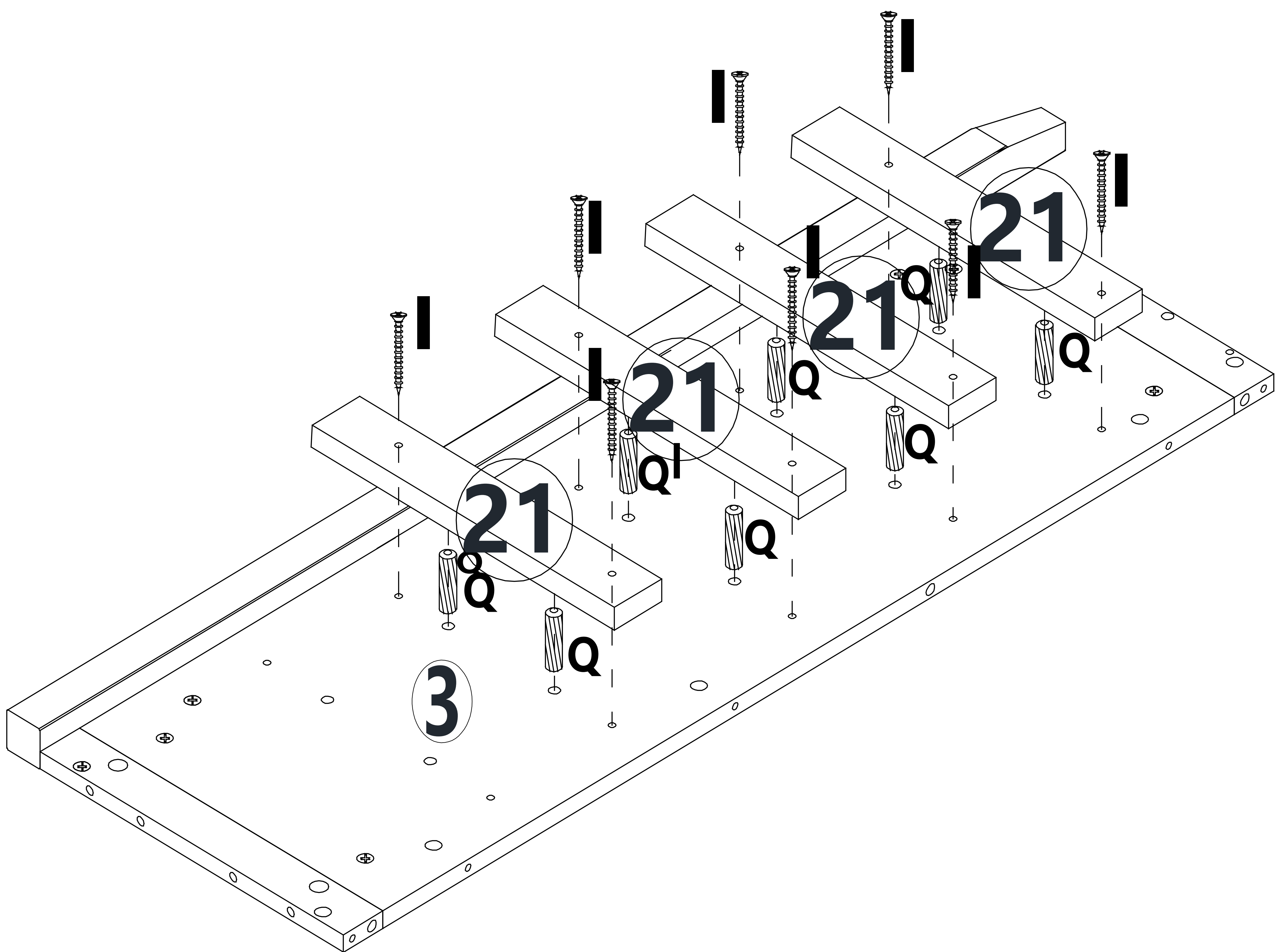
Tools Recommended

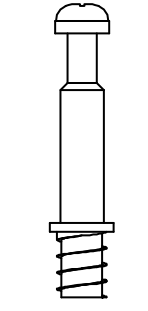
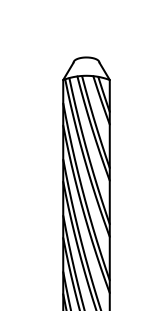
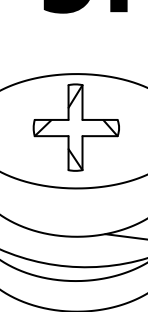
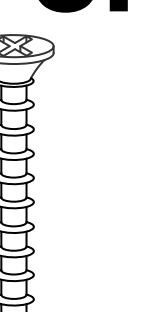
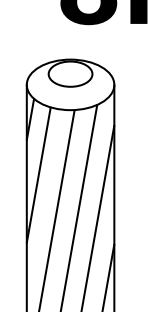


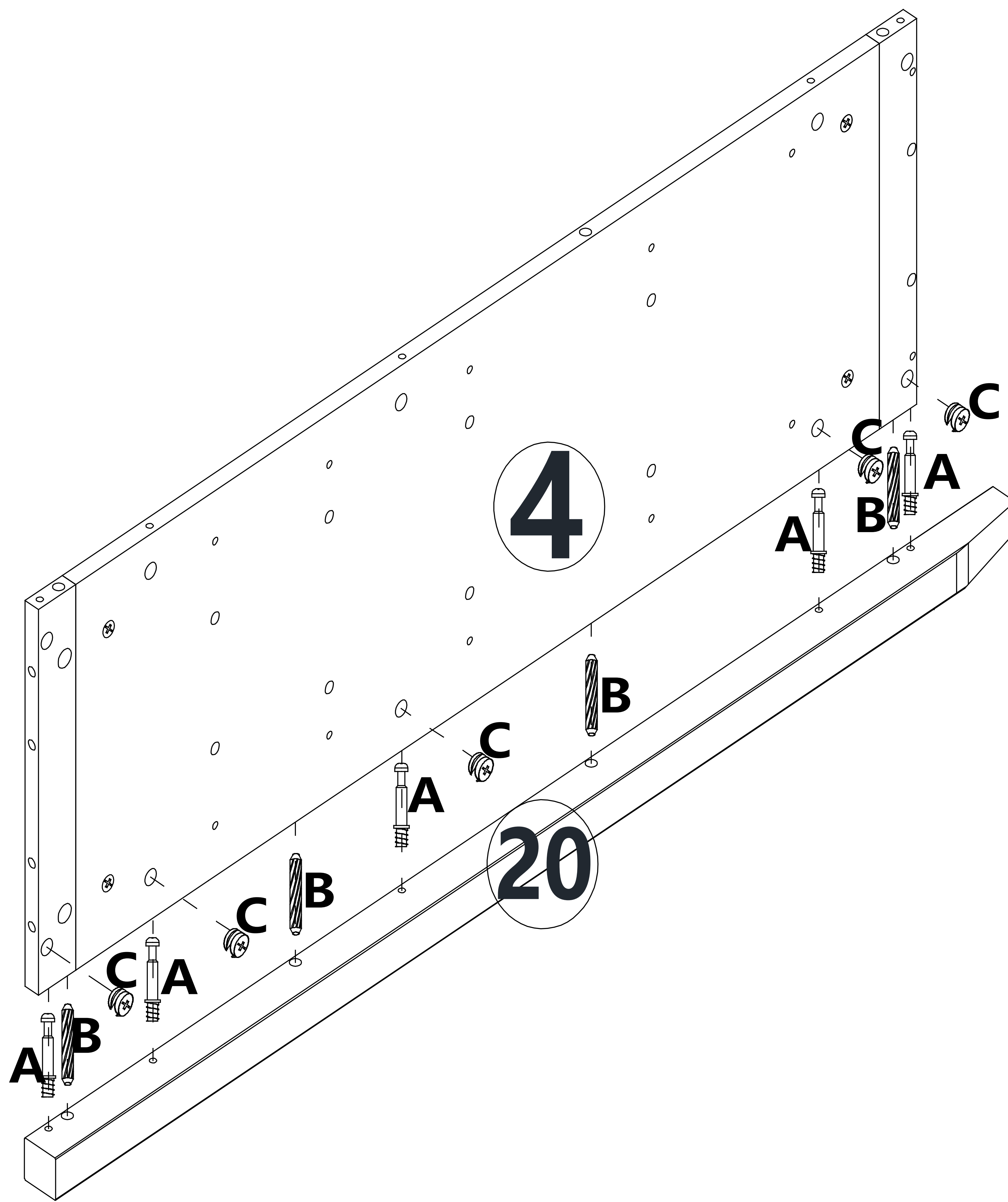
A 64+2PCS 	B 36+2PCS 	C 64+2PCS 	D 14+1PCS  2.6*10	E 16+2PCS  4*25	F 4SET  4*12	G 32+2PCS  3*12	O1 4PCS 
O2 4PCS 	I 16+2PCS  3*25	Q 16+2PCS  8*20	M  4*35 3*12	J 24+2PCS 	H 1PCS 		

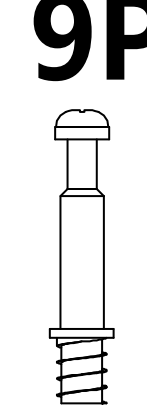
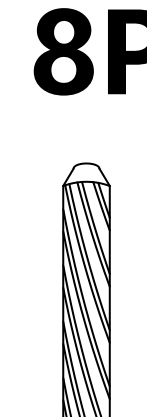
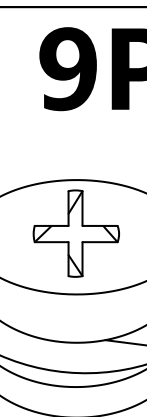


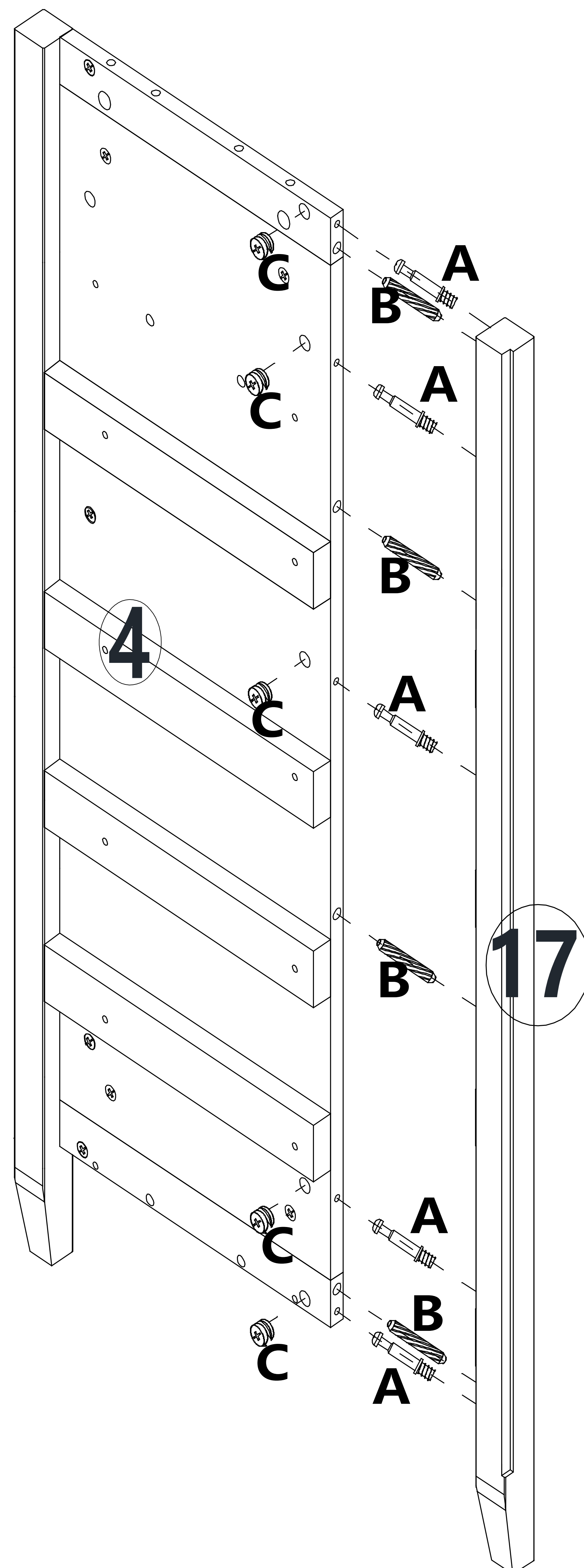
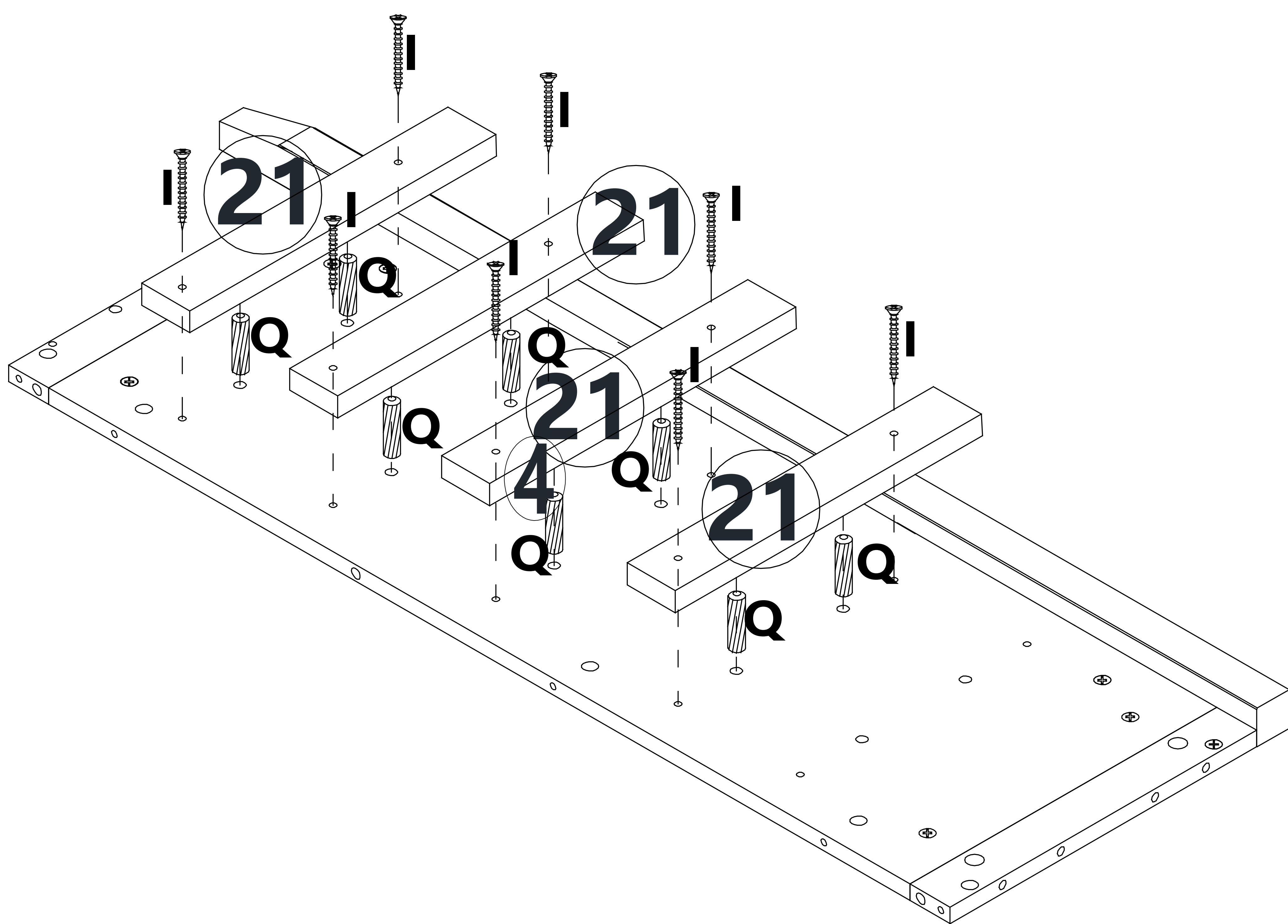
- A** 9PCS 
- B** 8PCS 
- C** 9PCS 

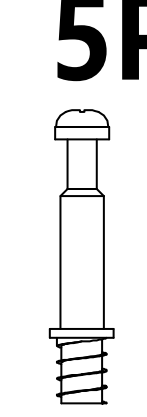
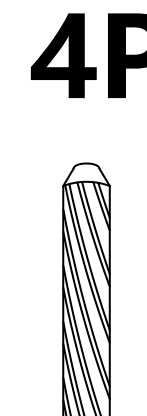
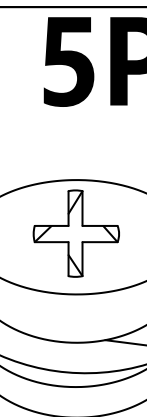

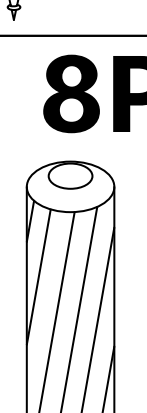


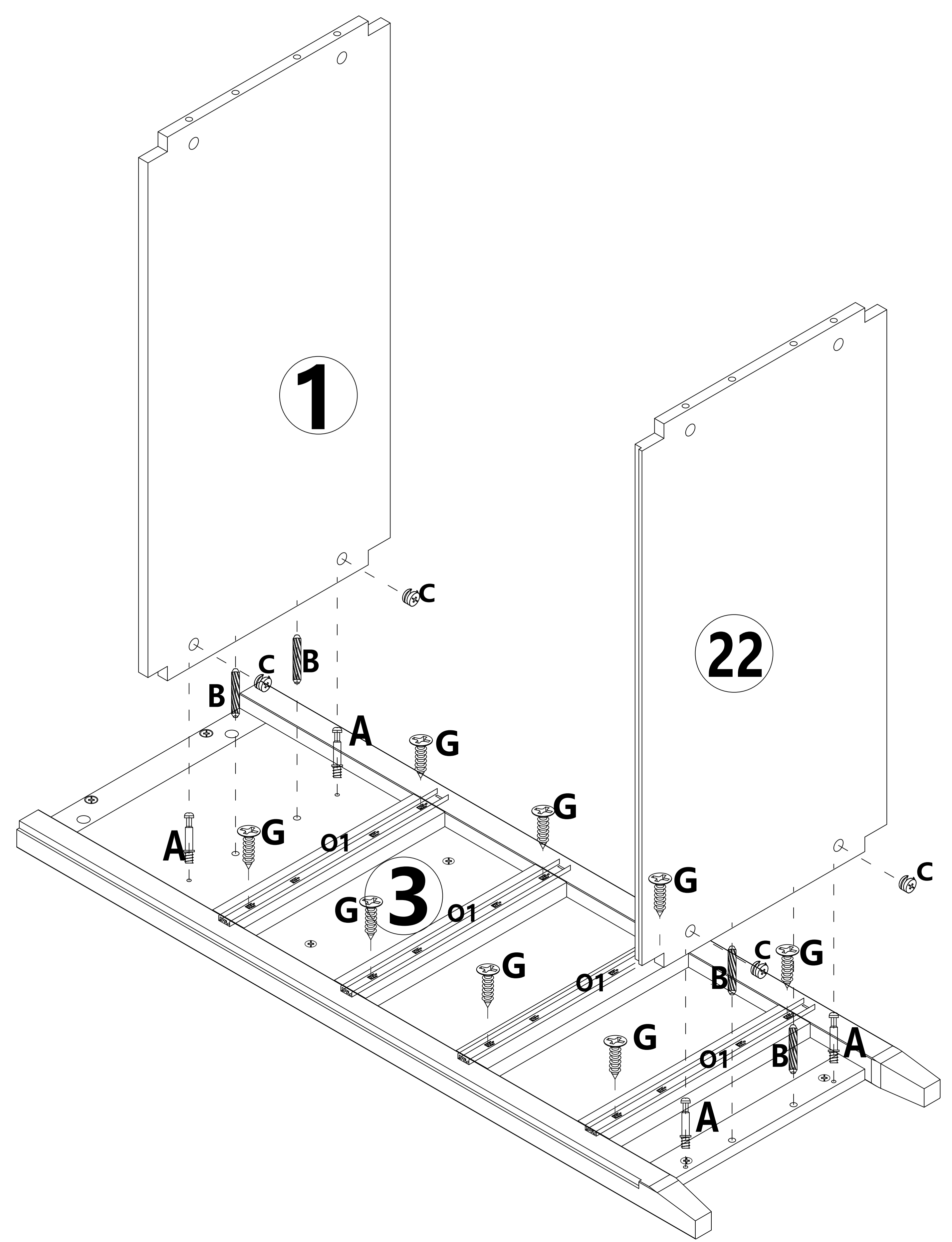
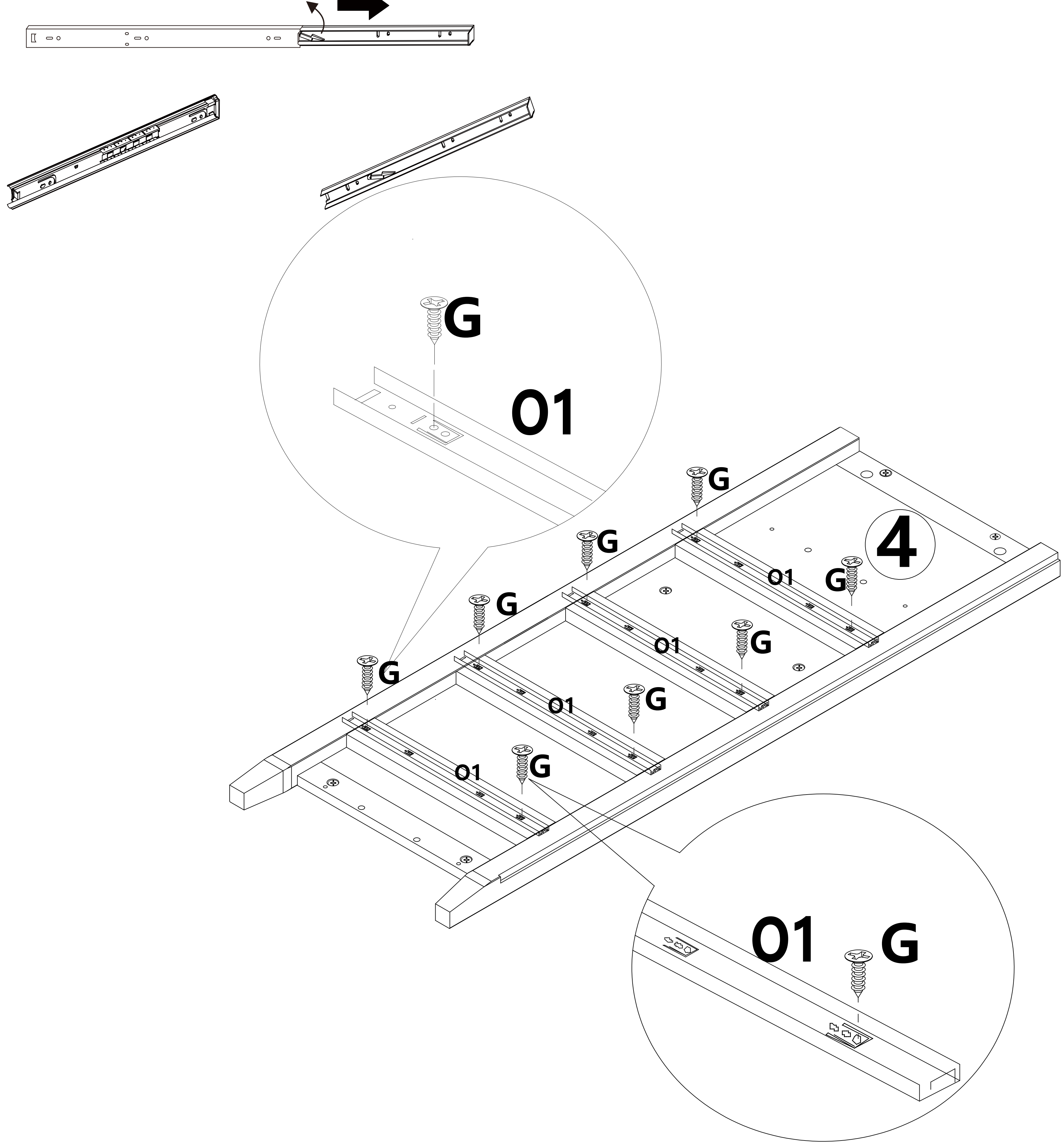
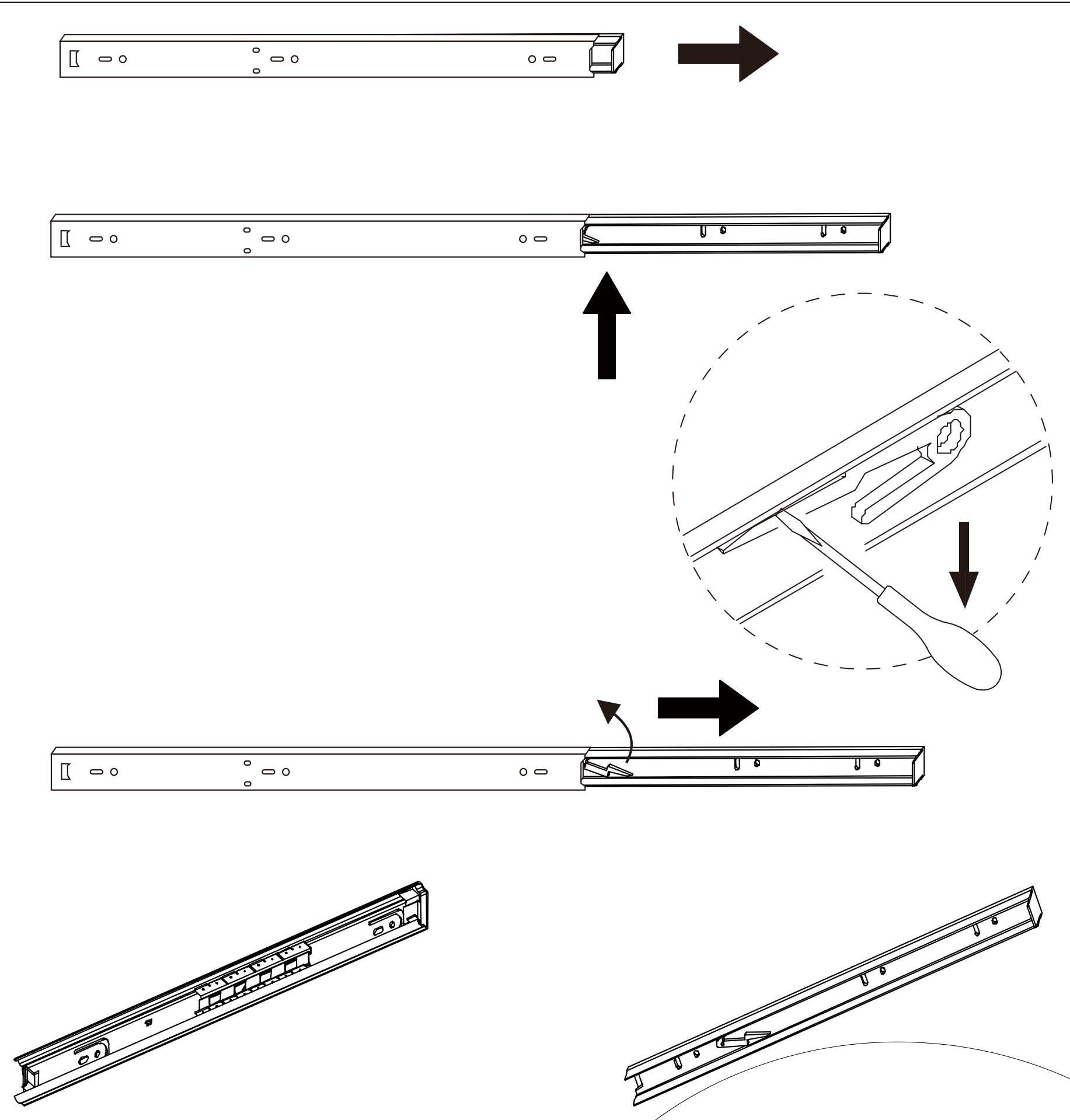
- A** 5PCS 
- B** 4PCS 
- C** 5PCS 
- I** 8PCS 
- Q** 8PCS 

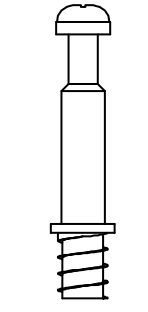
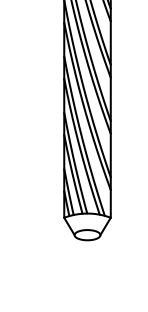
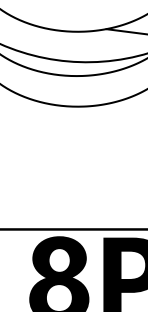
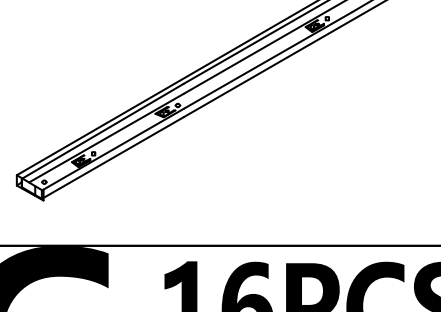
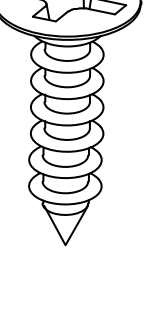


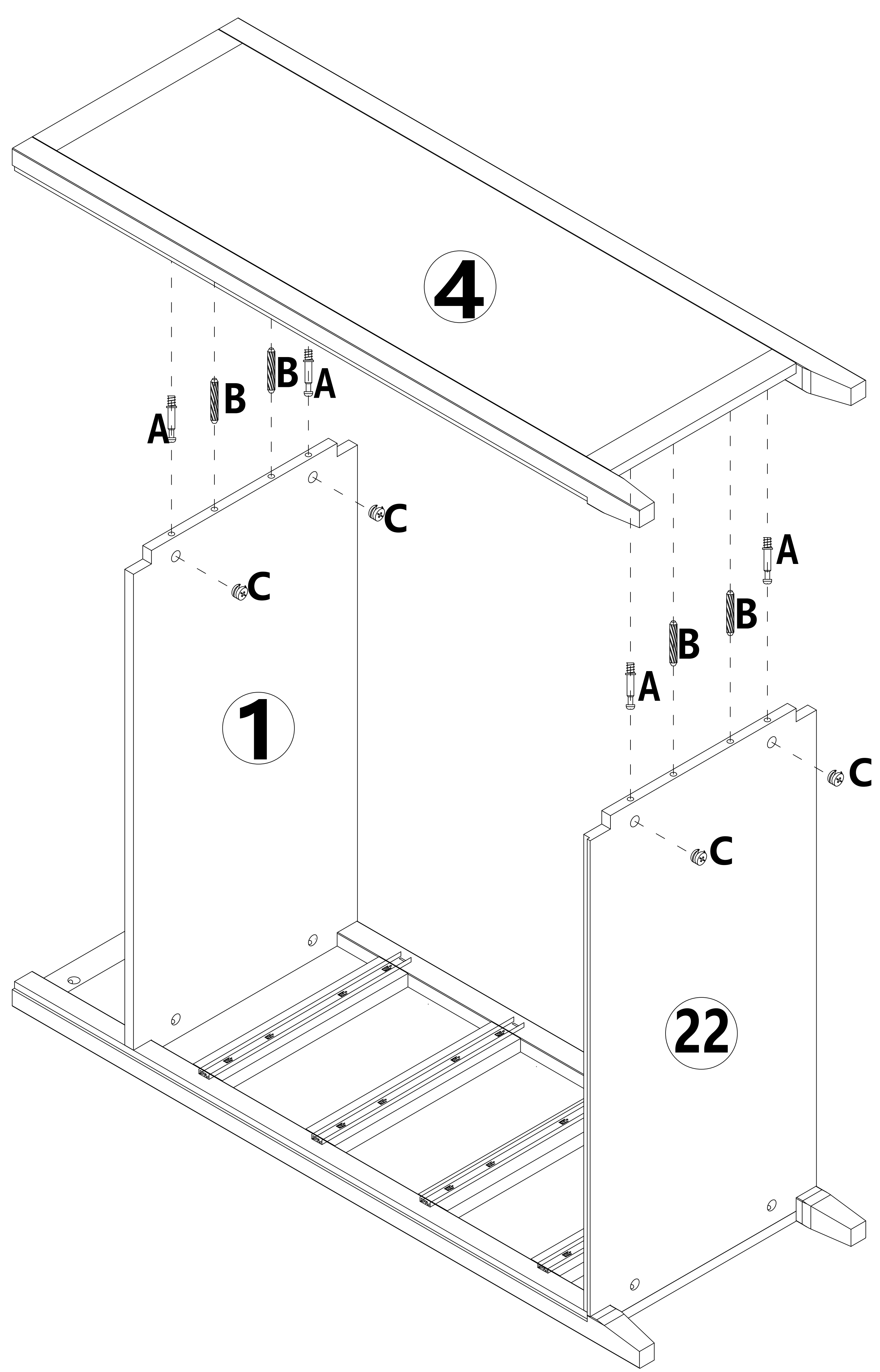
- A** 9PCS 
- B** 8PCS 
- C** 9PCS 

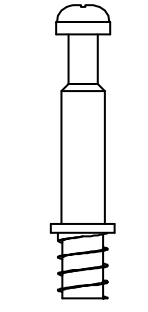
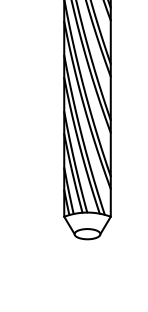
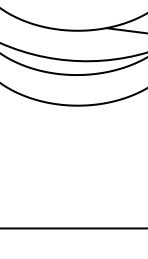


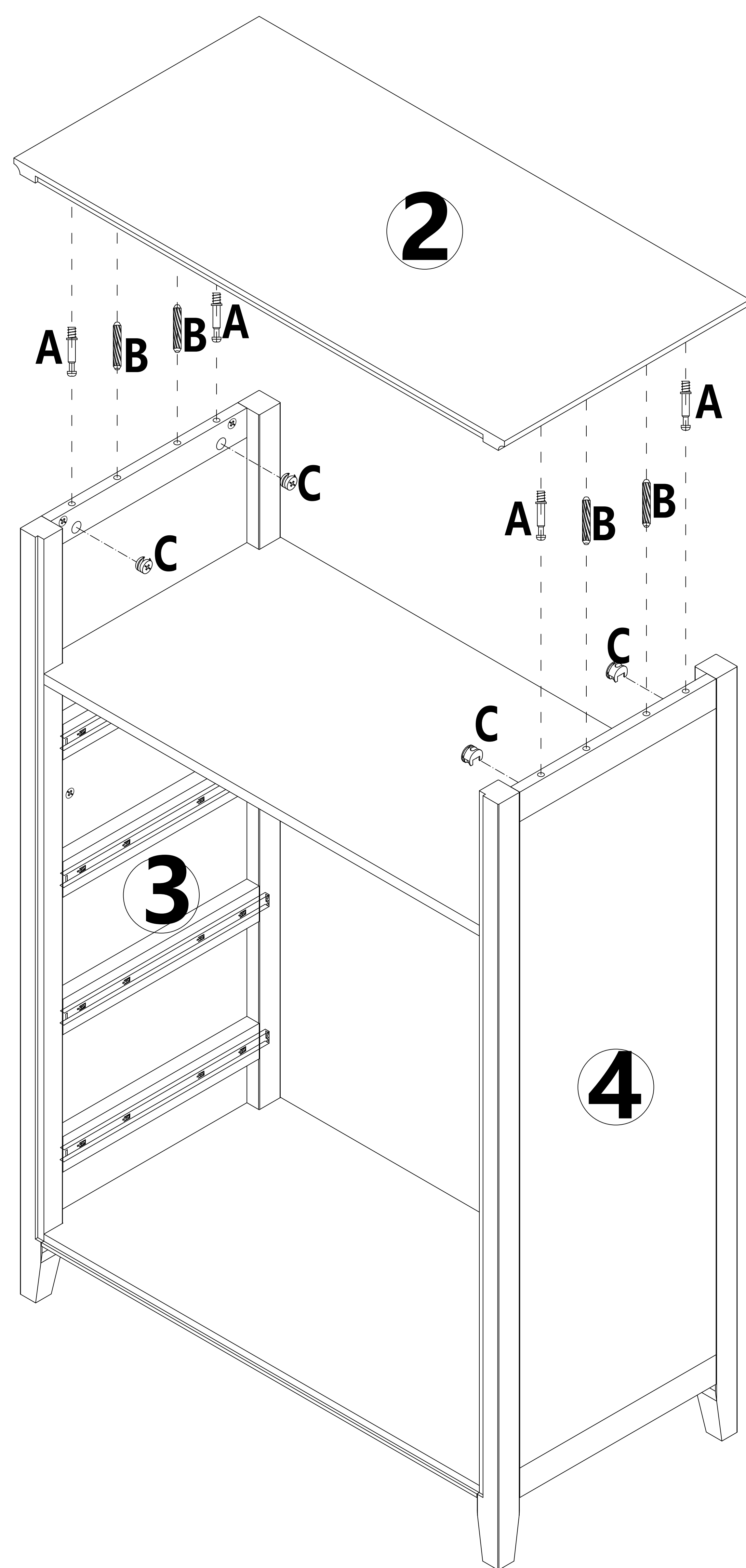
- A** 5PCS 
- B** 4PCS 
- C** 5PCS 
- I** 8PCS 
- Q** 8PCS 



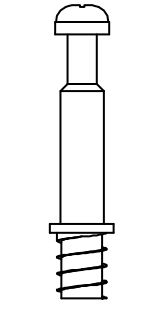
- A** 4PCS 
- B** 4PCS 
- C** 4PCS 
- 01** 8PCS 
- G** 16PCS 



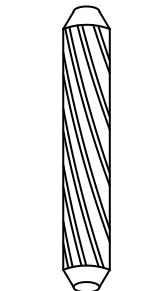
- A** 4PCS 
- B** 4PCS 
- C** 4PCS 



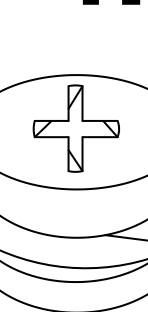
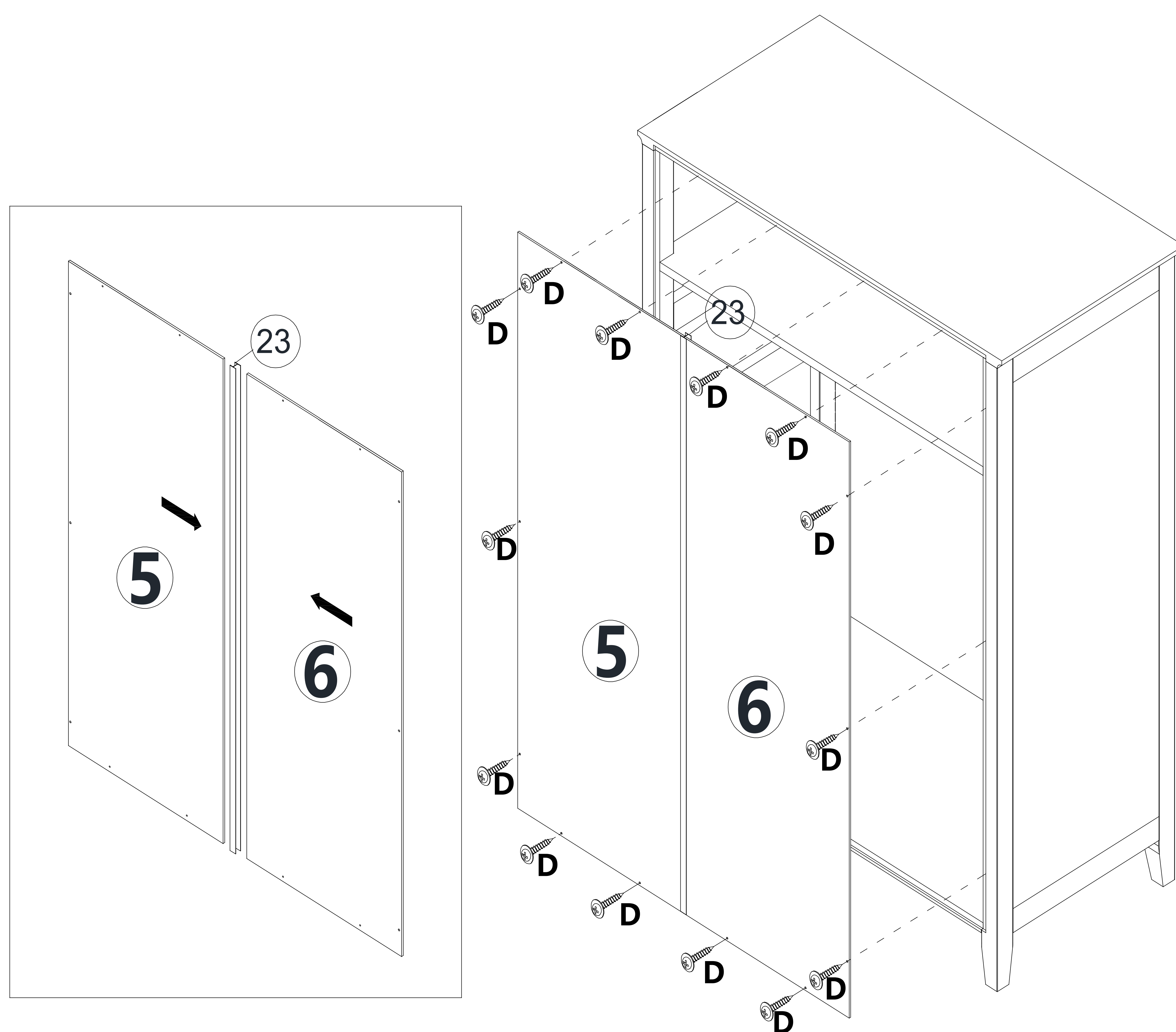
A 4PCS



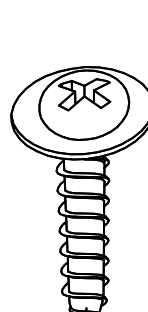
B 4PCS

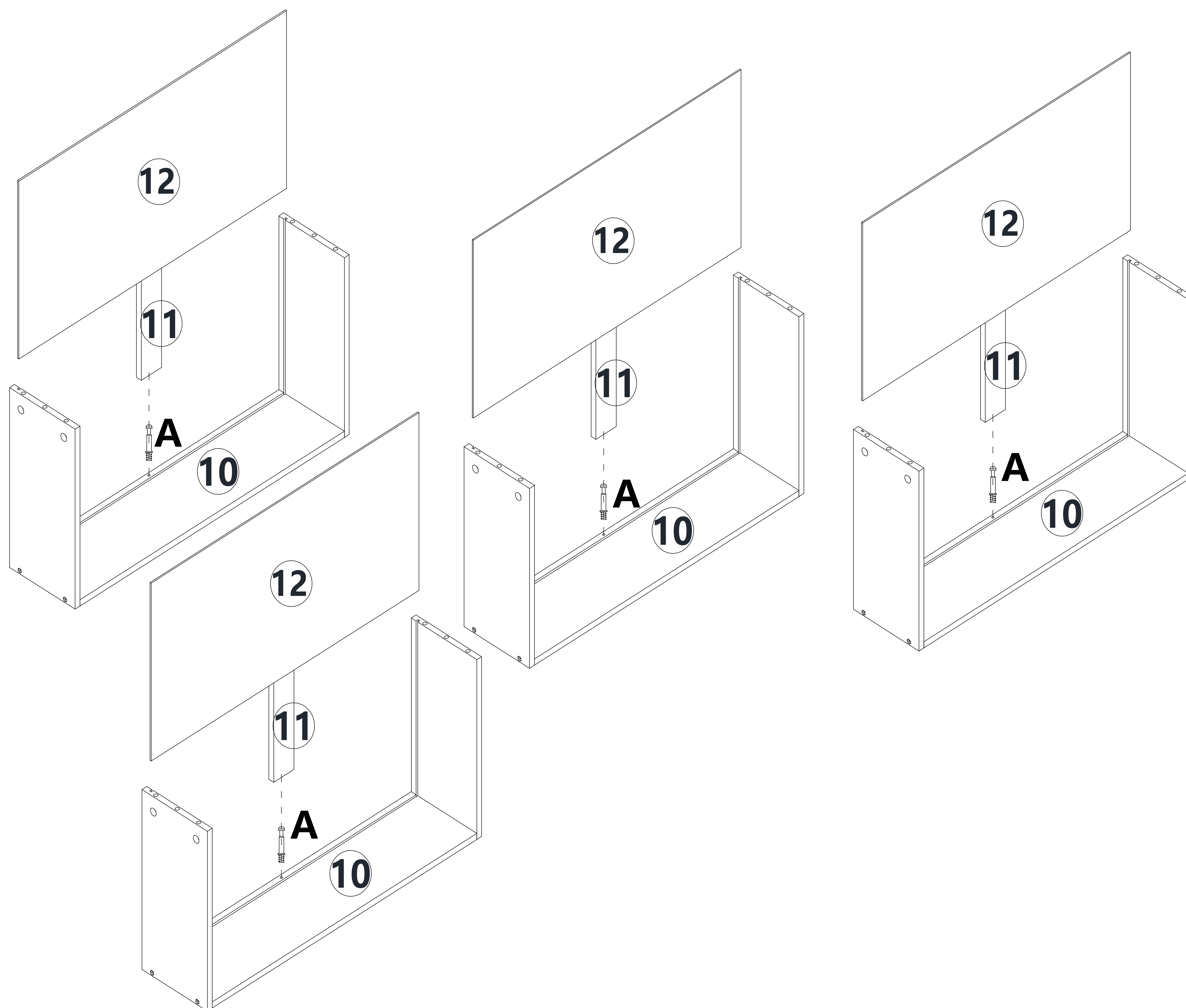
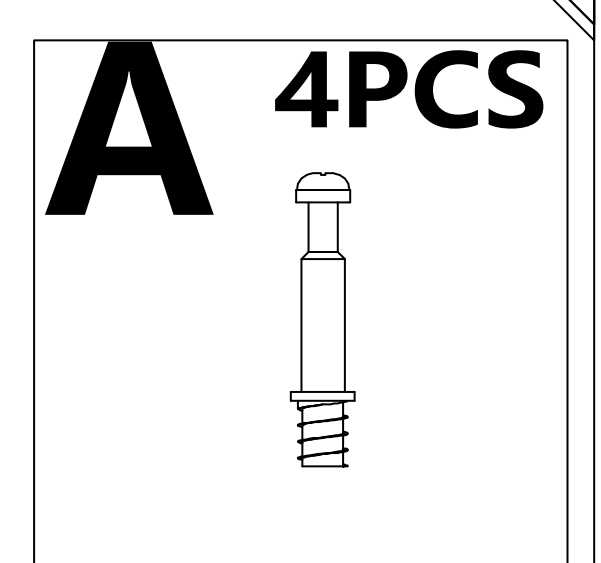
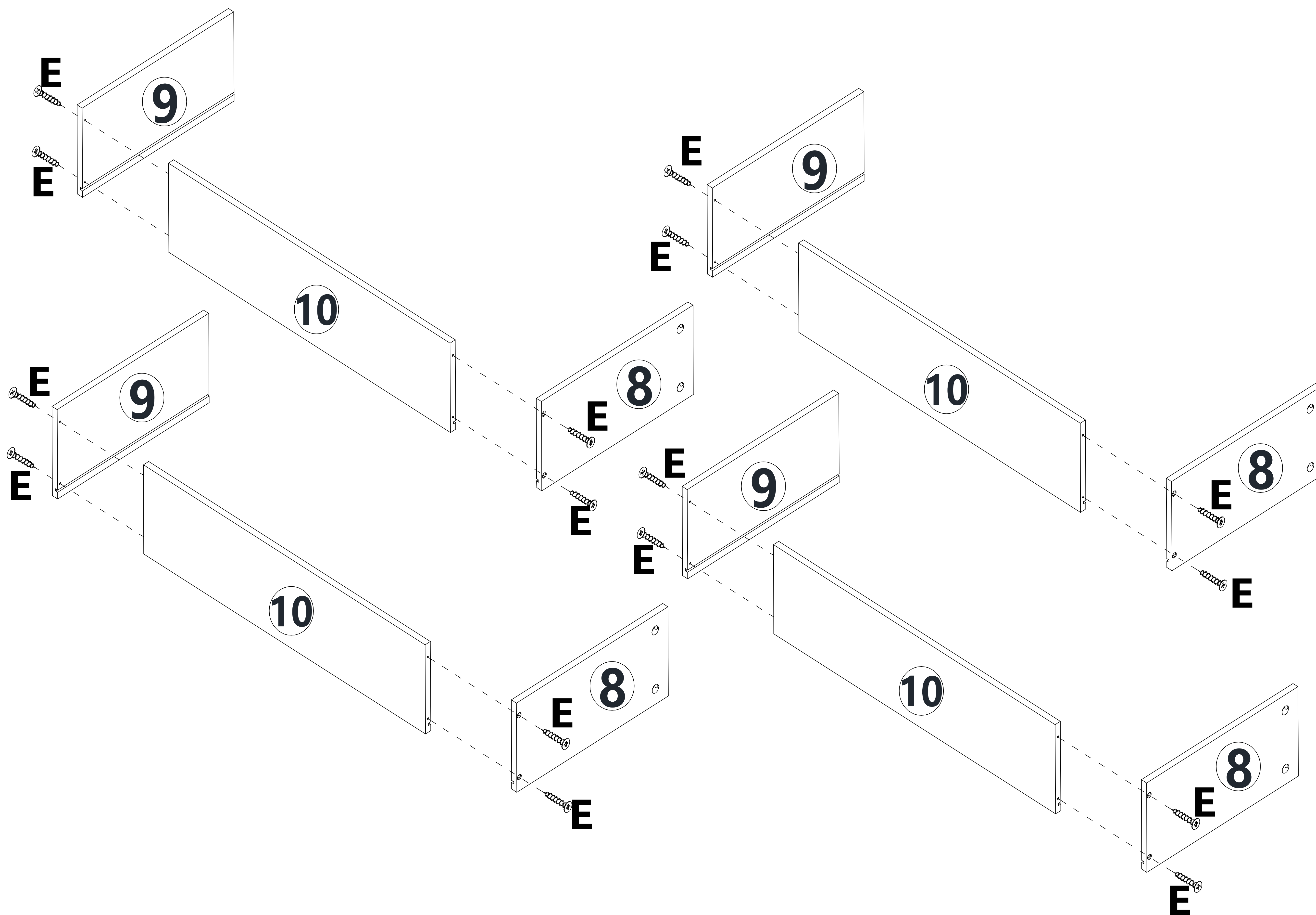
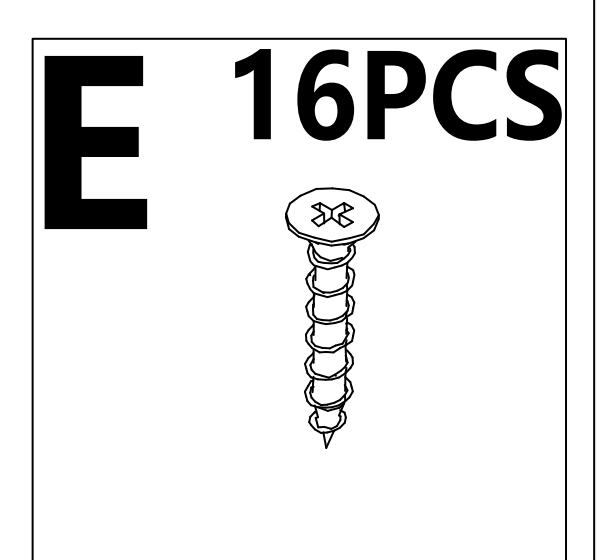


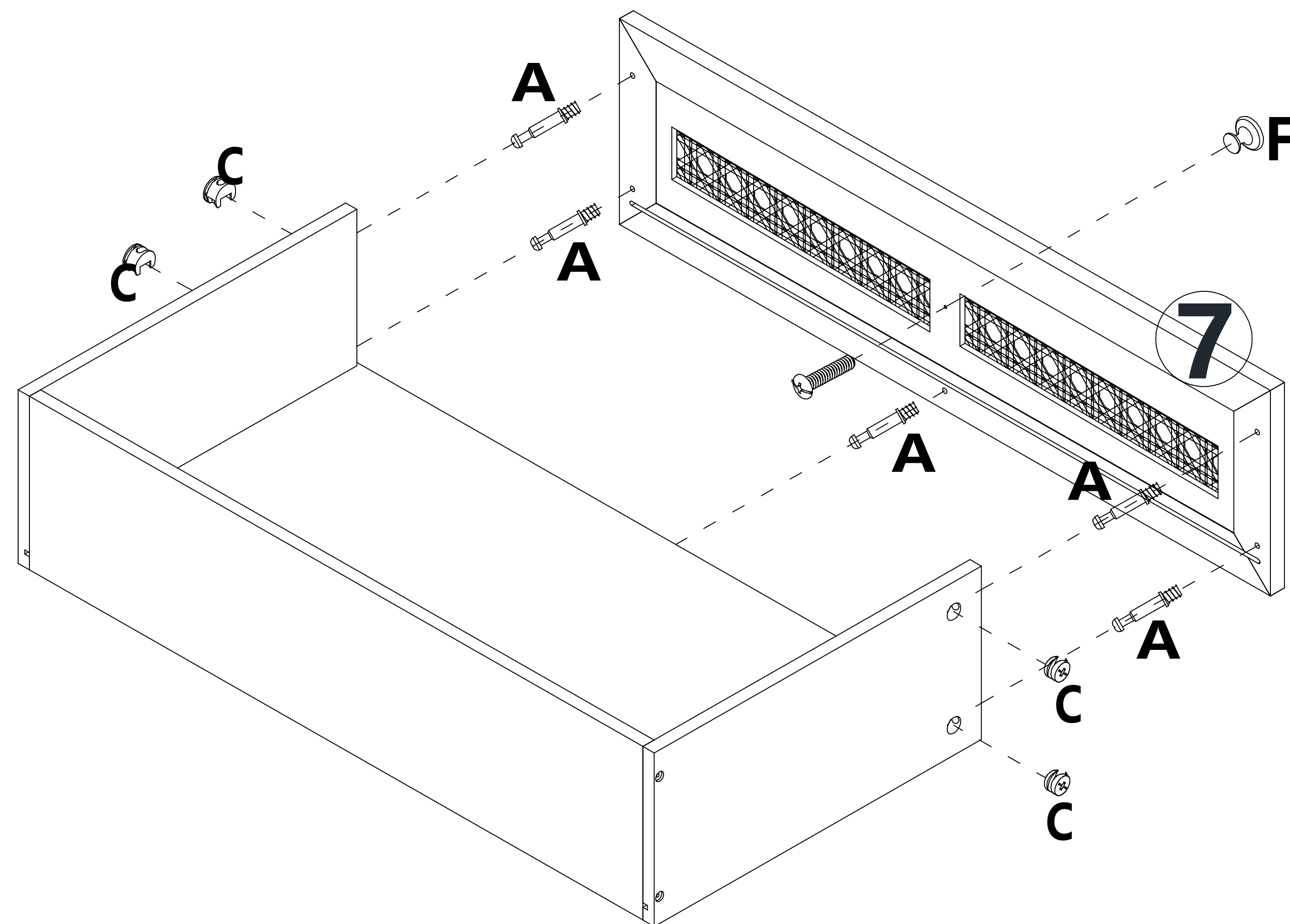
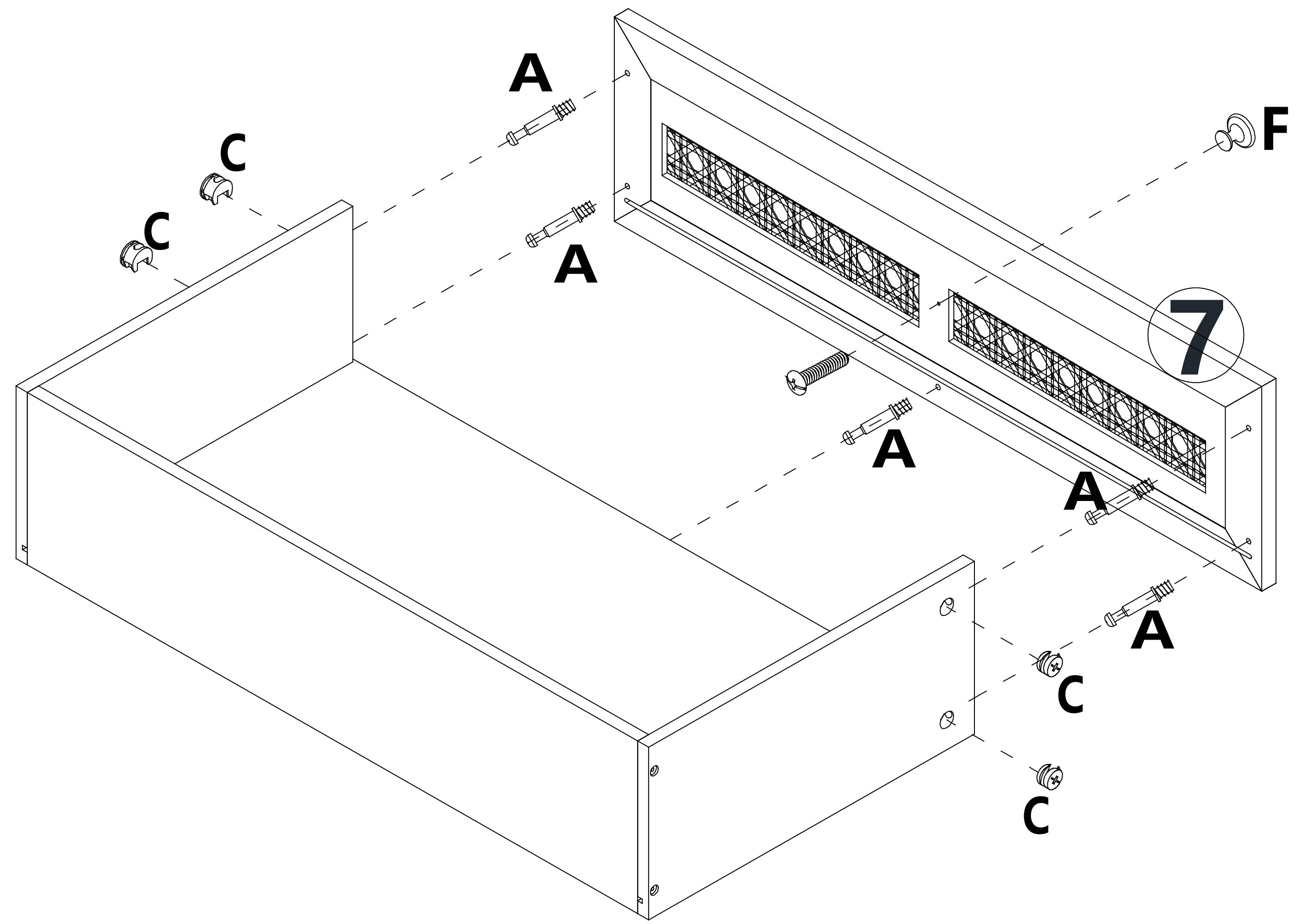
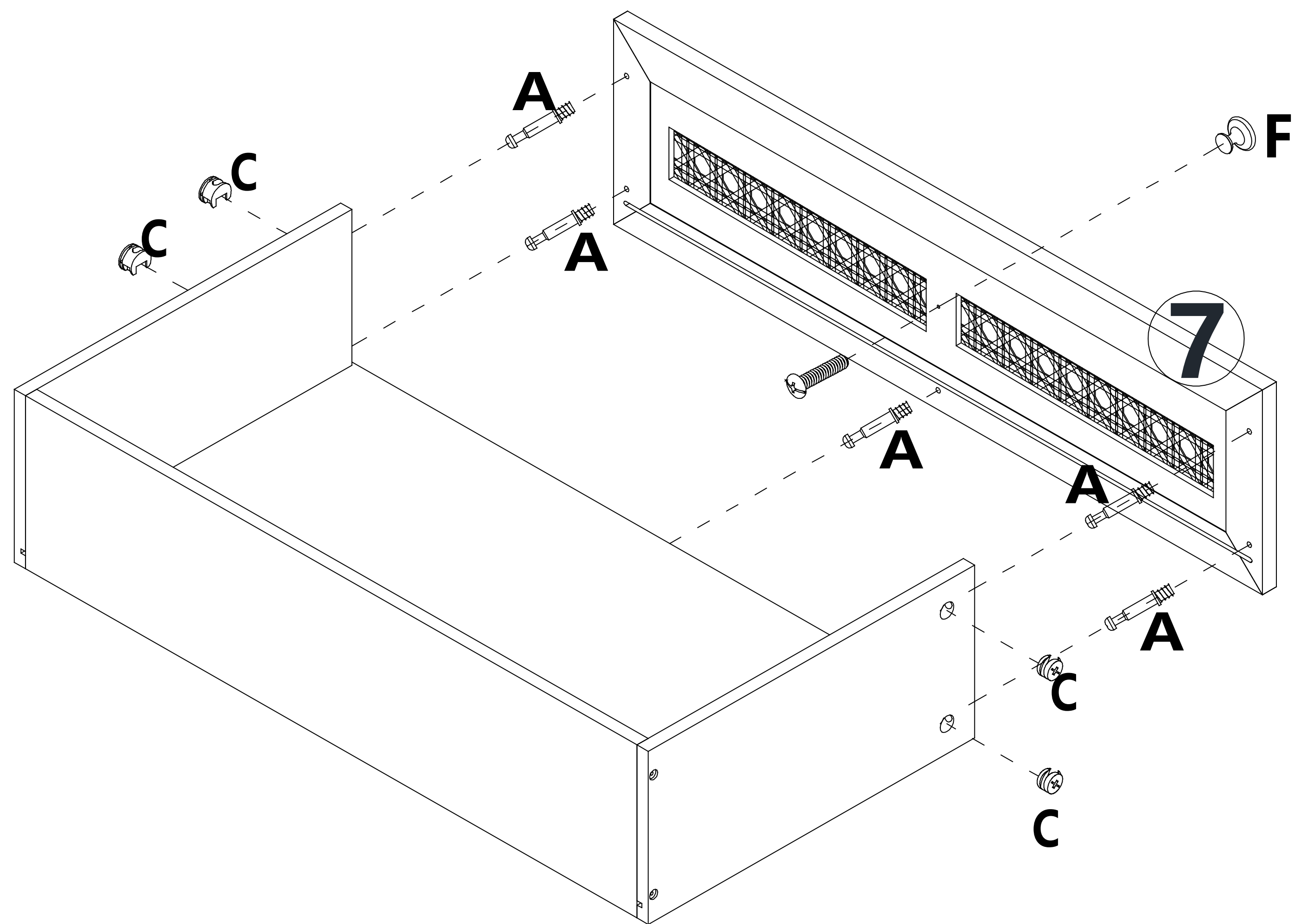
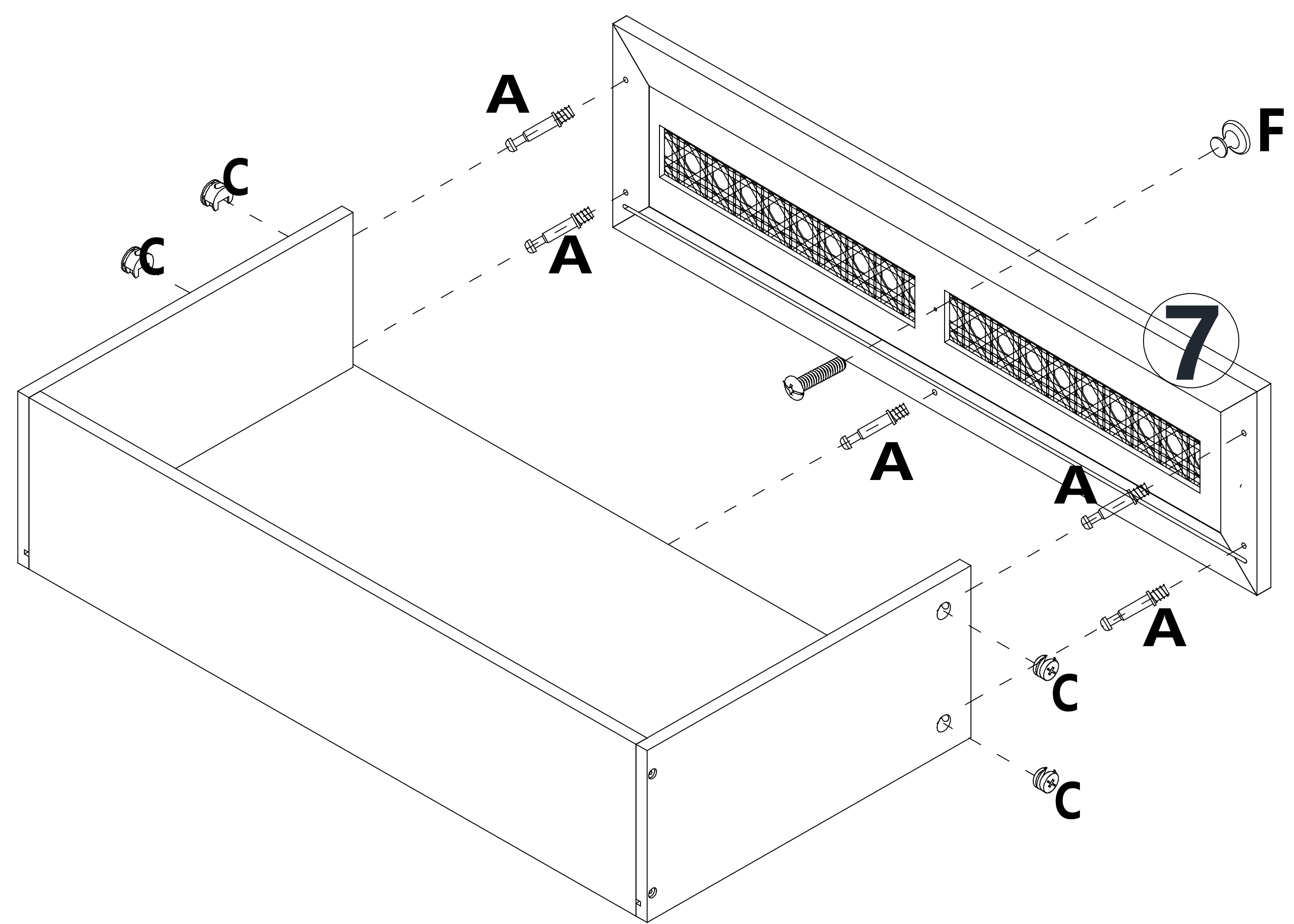
C 4PCS

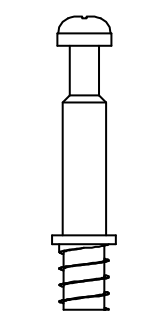
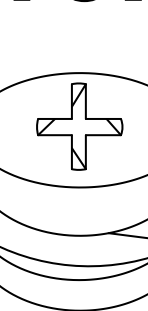




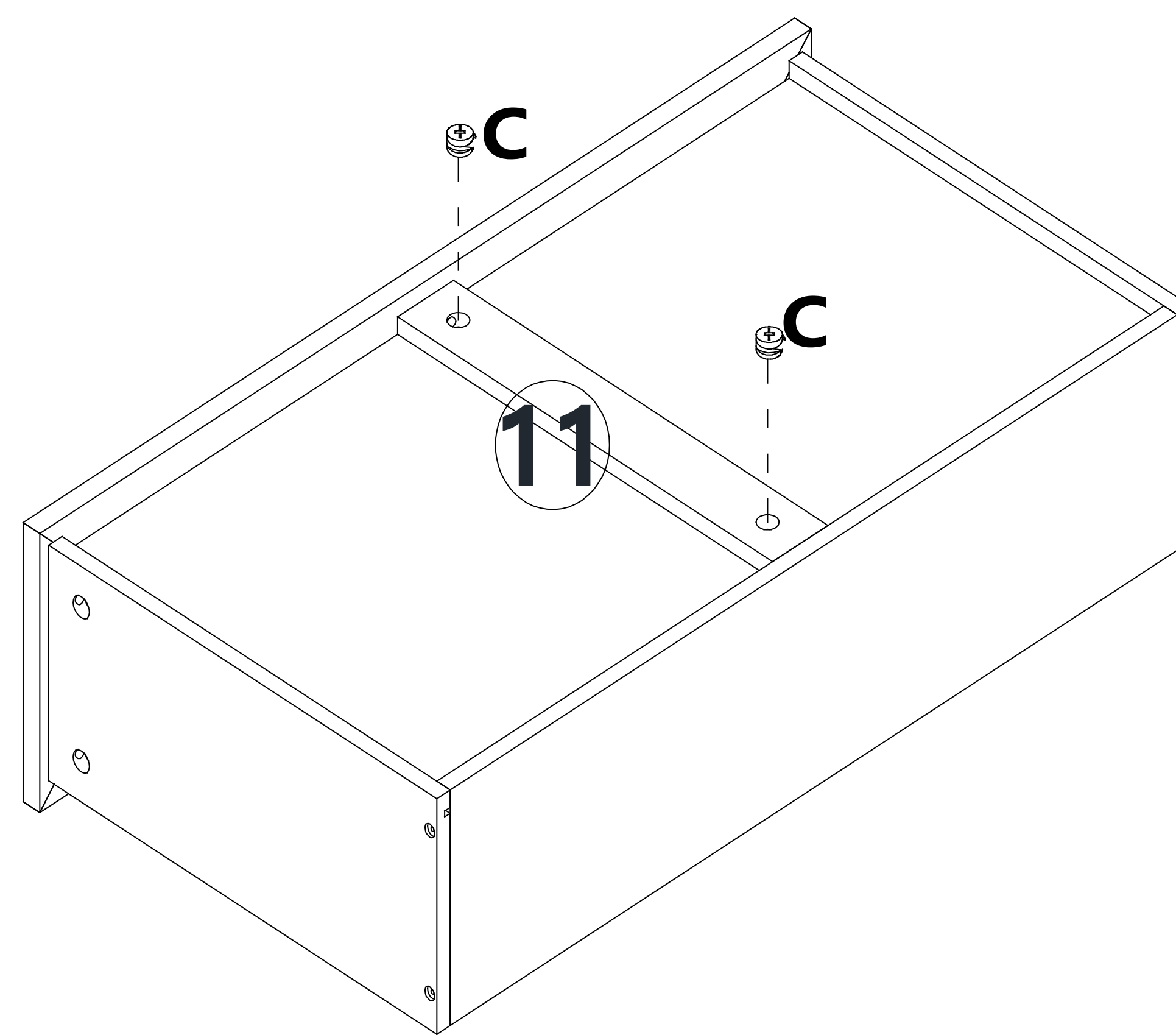
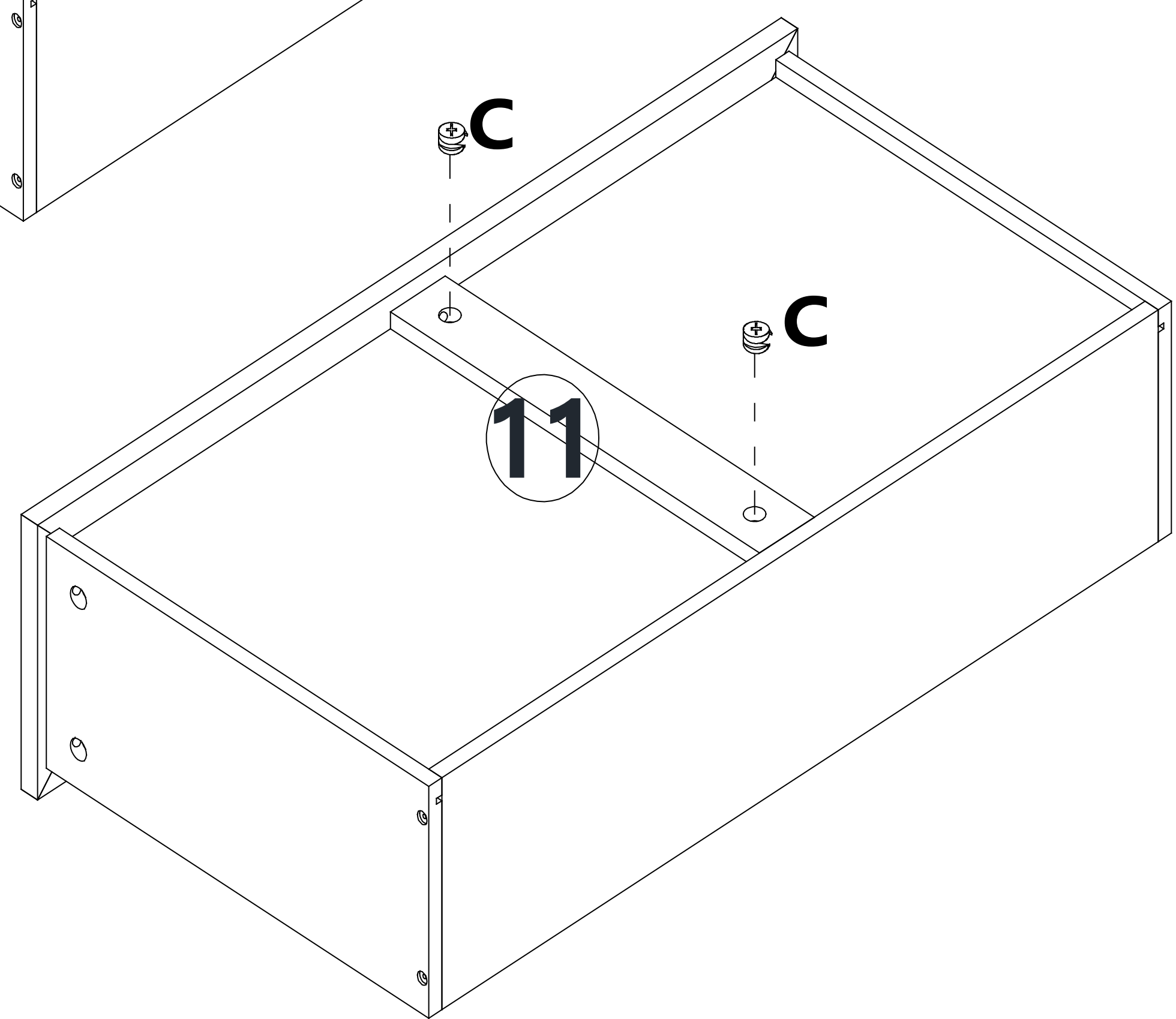
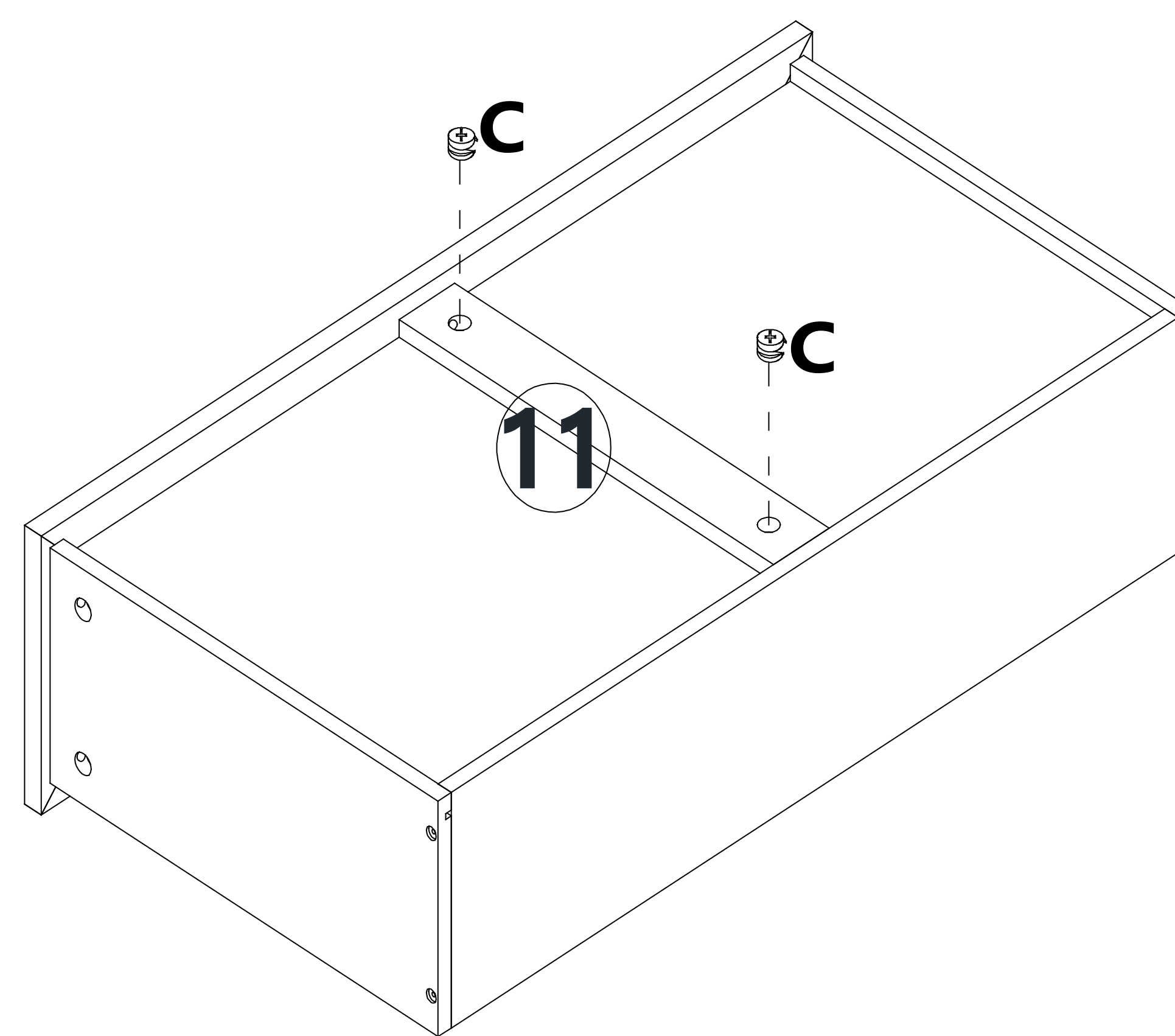
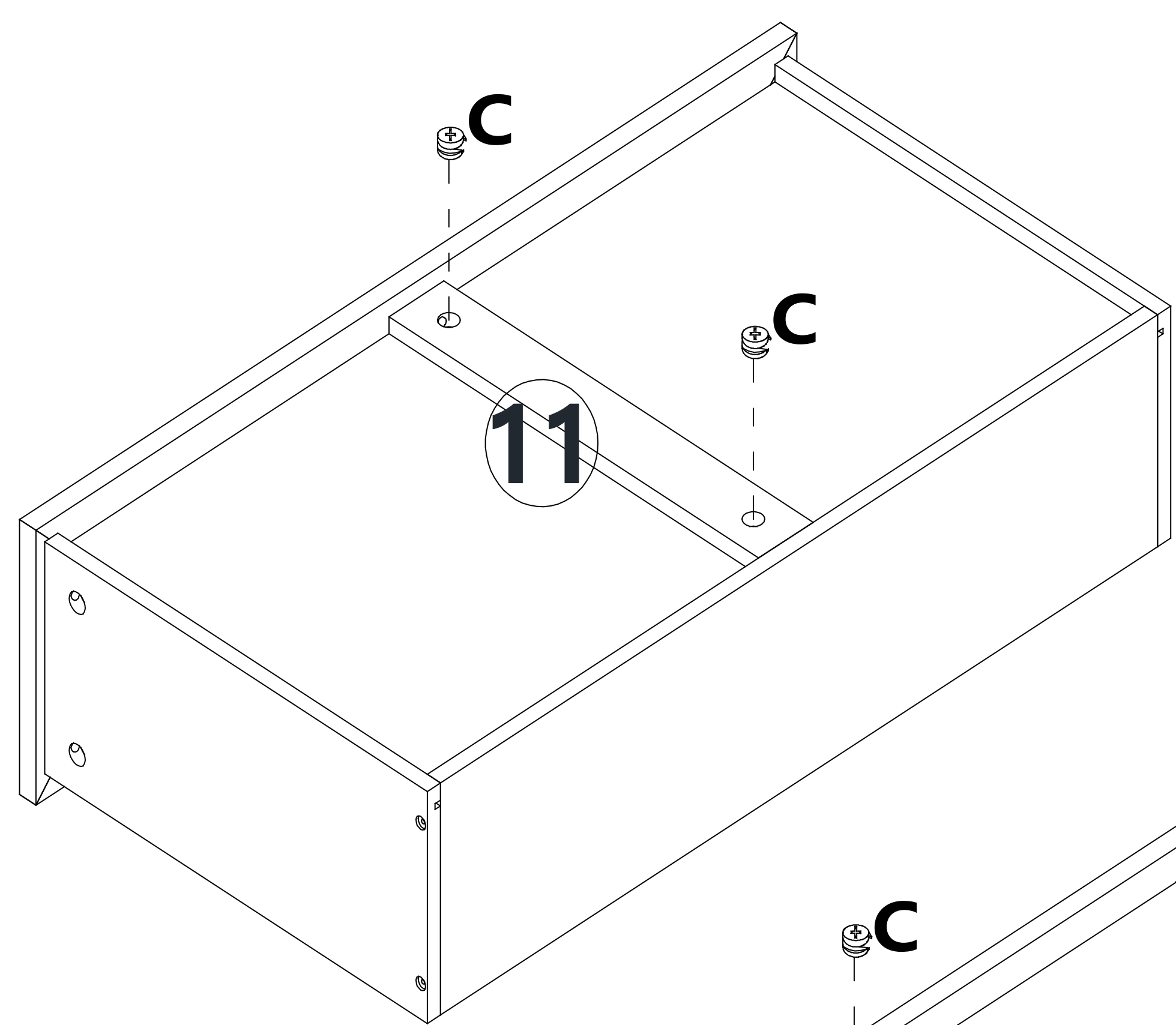
D 14PCS







- A** 20PCS 
- C** 16PCS 
- F** 4SET 



- C** 8PCS 