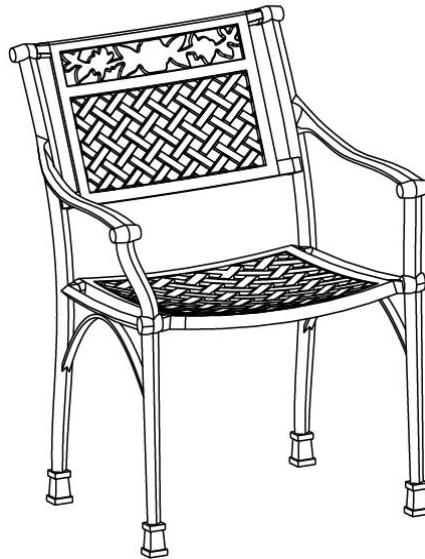


Assembly Instructions

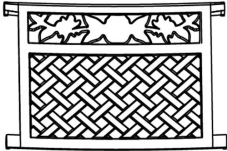
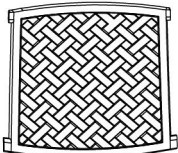


Caution: You must read this before you proceed

Chair









CAUTION: This chair is NOT a TOY.
Keep your child / children at bay in the process of assembly.

Parts List

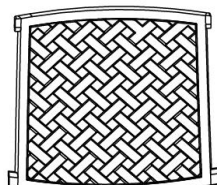
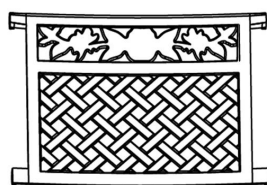
Label	Picture	Description	QTY
A		Backrest Panel	1
B		Seat Panel	1
C		Left Leg with the Arm	1
D		Right Leg with the Arm	1

Hardware

Label	Picture	Description	QTY
①		Washer(8mm)	8
②		Spring Washer(8mm)	8
③		Nut(8mm)	8
④		Nut Cap(8mm)	4
⑤		Spanner	1
⑥		Extra Adjustable Leveller	1

Assembly Preparation

Before Beginning Assembly:



- Read instructions, cover to cover-



- Have 2 adults on hand for assembly-



- Do not assemble on flooring or carpet-



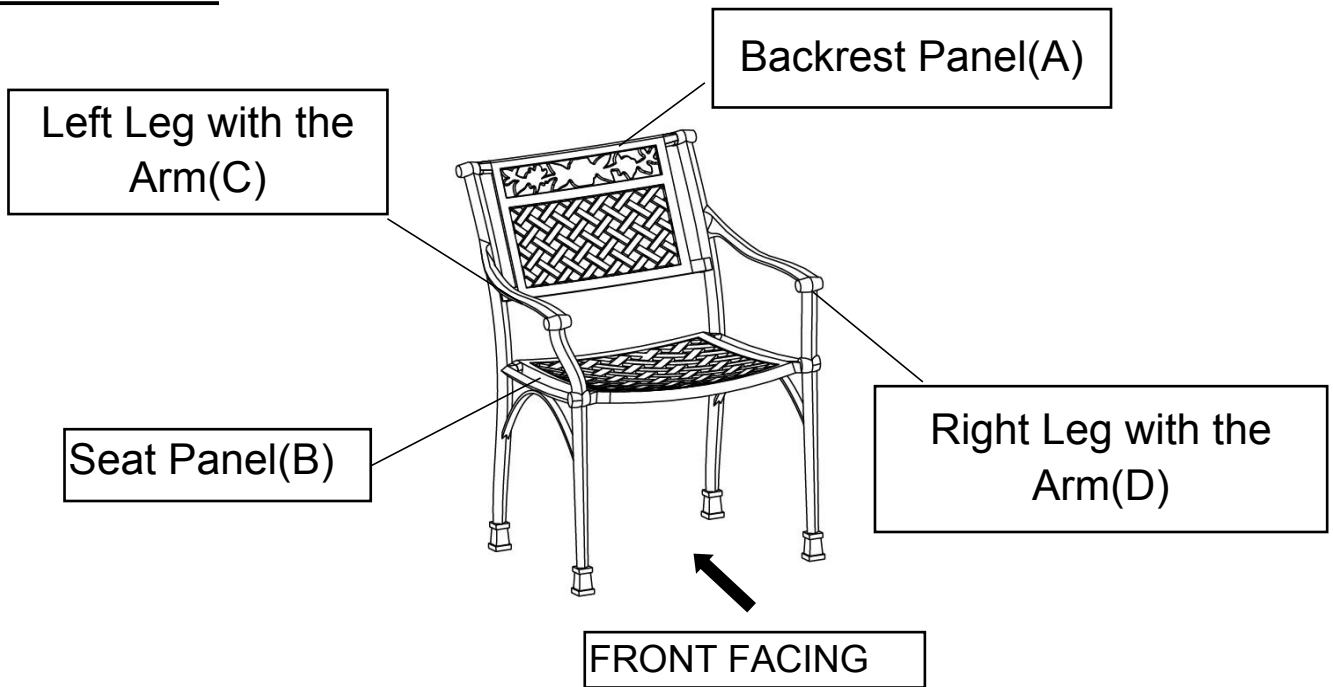
- Assemble on a clean non-marring surface (packing foam)-



- Save all packaging until finished-

Assembly Steps

Overview

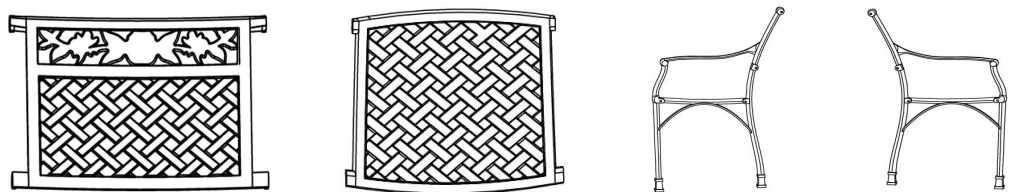


This chair has multiple parts and may require up to 30 minutes to assemble.

To give you an overview of the chair parts, the above picture is to help you put the various parts into perspective.

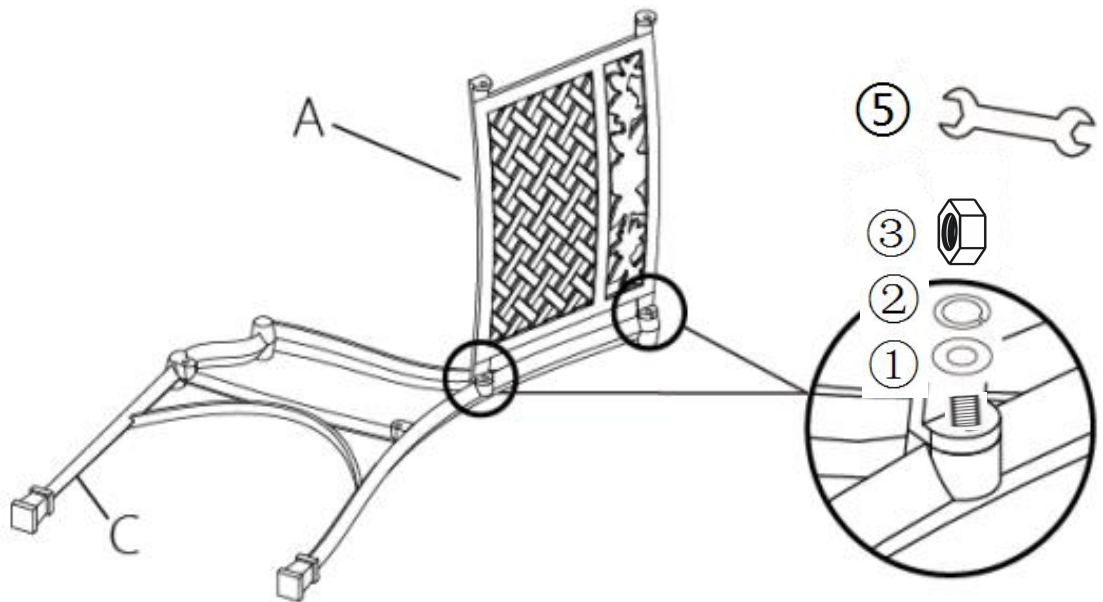
Please read through the instructions below to familiarise yourself with the parts and steps before assembly.

Step 1



Unpack and place all parts on a clean soft surface.

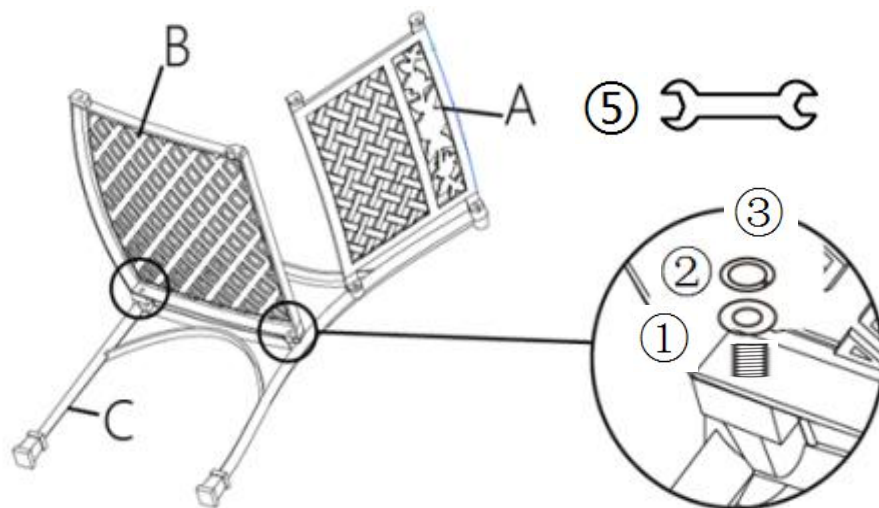
Step 2



Align the mounting positions on the Backrest Panel(A) to the pre-assembled bolts on the Left Leg with the Arm(C). Then, attach the Backrest Panel(A) to the Left Leg with the Arm(C) using the Washers(①), Spring Washers(②) and Nuts(③) with the Spanner(⑤).

Do not fully tighten the nuts at this stage.

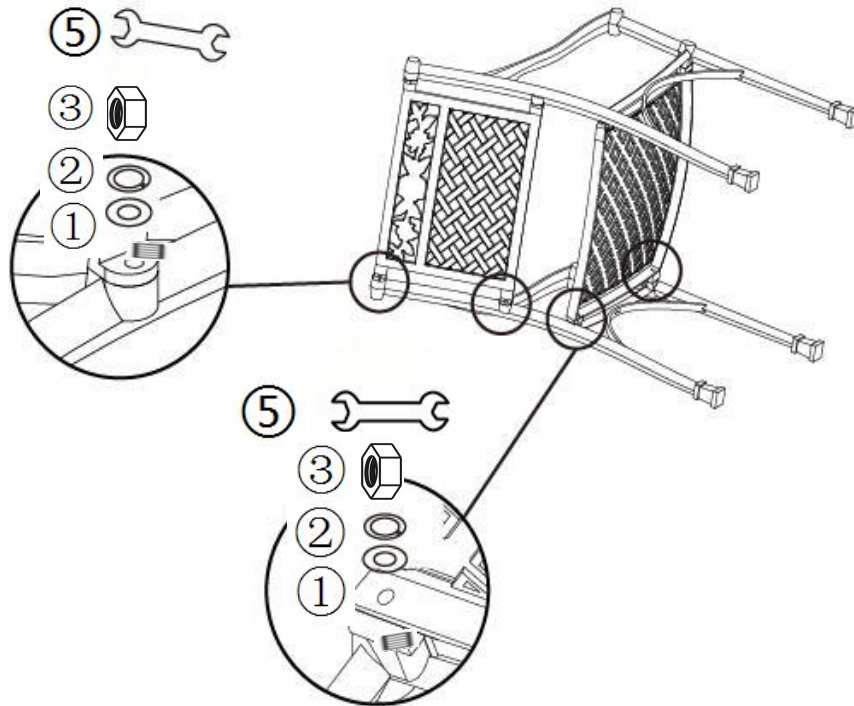
Step 3



Align the mounting positions on the Seat Panel(B) to the pre-assembled bolts on the Left Leg with the Arm(C). Then, attach the Seat Panel(B) to the Left Leg with the Arm(C) using the Washers(①), Spring Washers(②) and Nuts(③) with the Spanner(⑤).

Do not fully tighten the nuts at this stage.

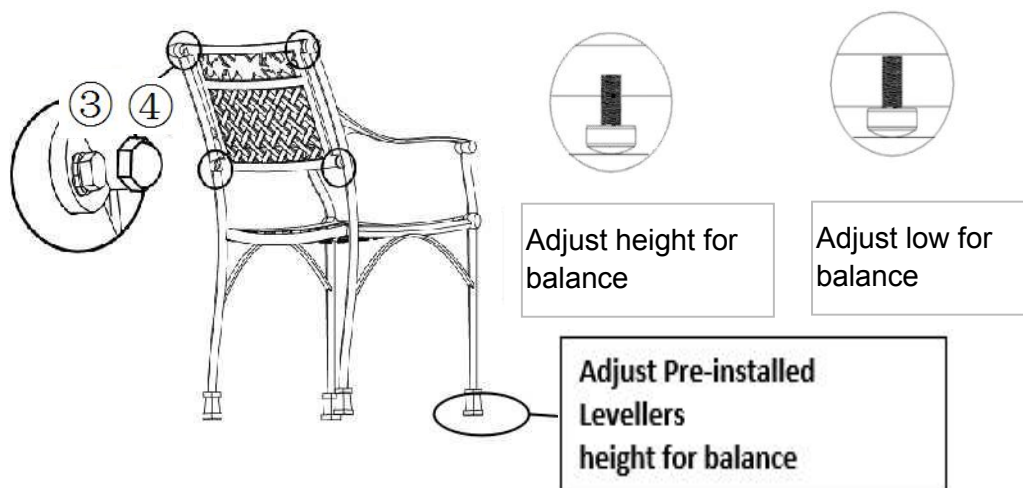
Step 4



Repeat step 2&3 to attach the Backrest Panel(A) and the Seat Panel(B) to the Right Leg with the Arm(D).

DO NOT fully tighten the nuts at this stage.

Step 5



Turn the chair right side up.

Securely, tighten and fasten all the nuts.

Then Add the Nut Cap(④) to the bolt ends at the back of Backrest Panel(A) to protect skin or clothing from getting snagged.

Adjust the pre-installed Levellers on the bottom of the chair legs until the chair is level with the ground.

Extra Adjustable Levellers(⑥) are available if needed.

Your Chair is ready for use.

Caution: This Chair can only be used on a flat, level surface.

Care & Maintenance

- ⊘  • Do not put hot items directly on furniture surface.
 - ⊘  • Do not clean furniture with harsh cleansers or polish.
 - ✓  • To obtain the longest lifespan of your outdoor products, minimizing exposure to direct sunlight is recommended.
 - ⊘  • Children should not climb or jump on the furniture.
 - ⊘  • Do not write on furniture without a padded barrier to protect the surface.
 - ✓  • To obtain the longest lifespan of your outdoor products, avoid extended and lengthy exposure to rain, snow, and direct sunshine. Whenever possible cover the product and /or place under patio or awnings.
 - ⊘  • Not for commercial use. For residential use only .
 - ⊘  • Stains may be removed with mild soap solution and damp cloth.
-
- ✓  • Dust and pick-up spills using a clean, non-colored, lint-free cloth .