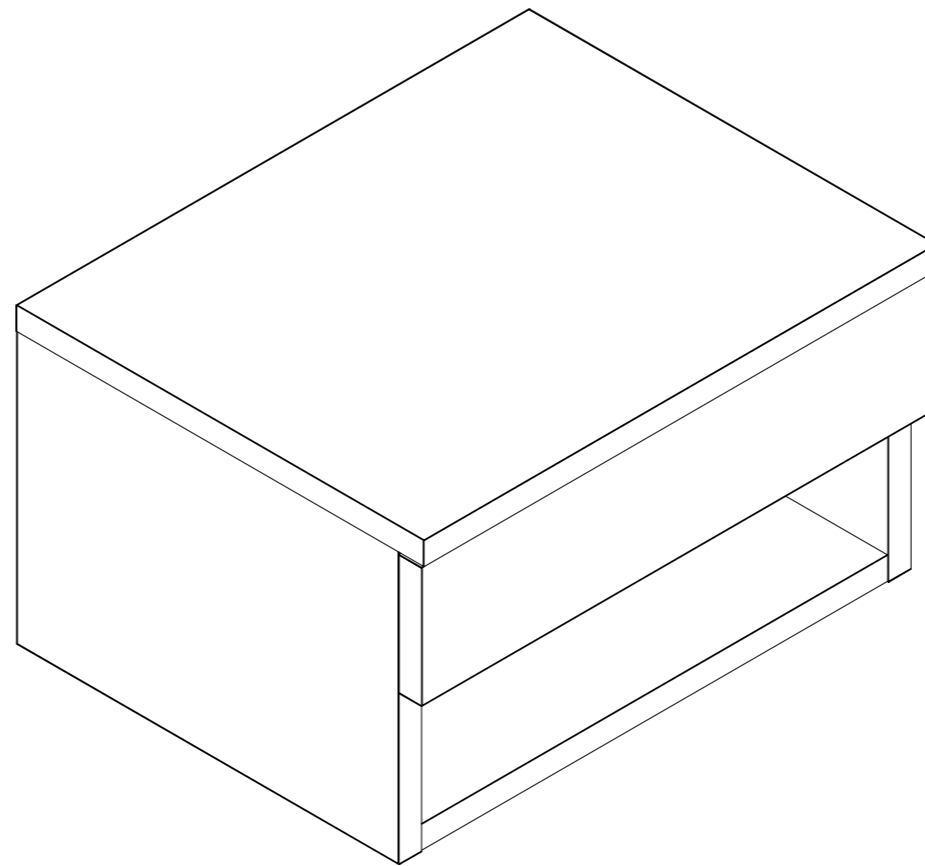


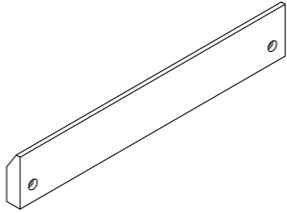
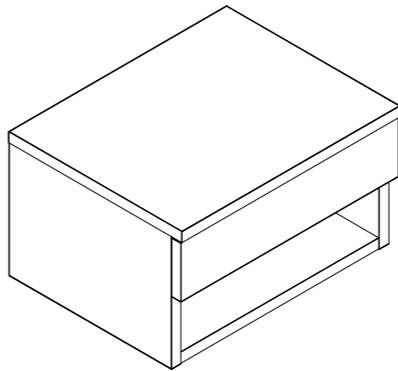
Installation & Assembly

Product Dimension: 12.5"D x 15.75"W x 9"H

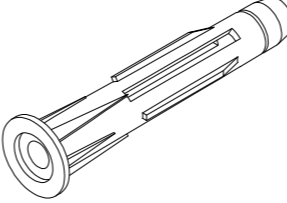
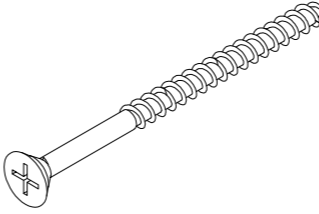
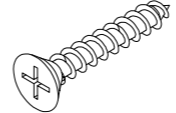
Weight Capacity : 30 Lbs



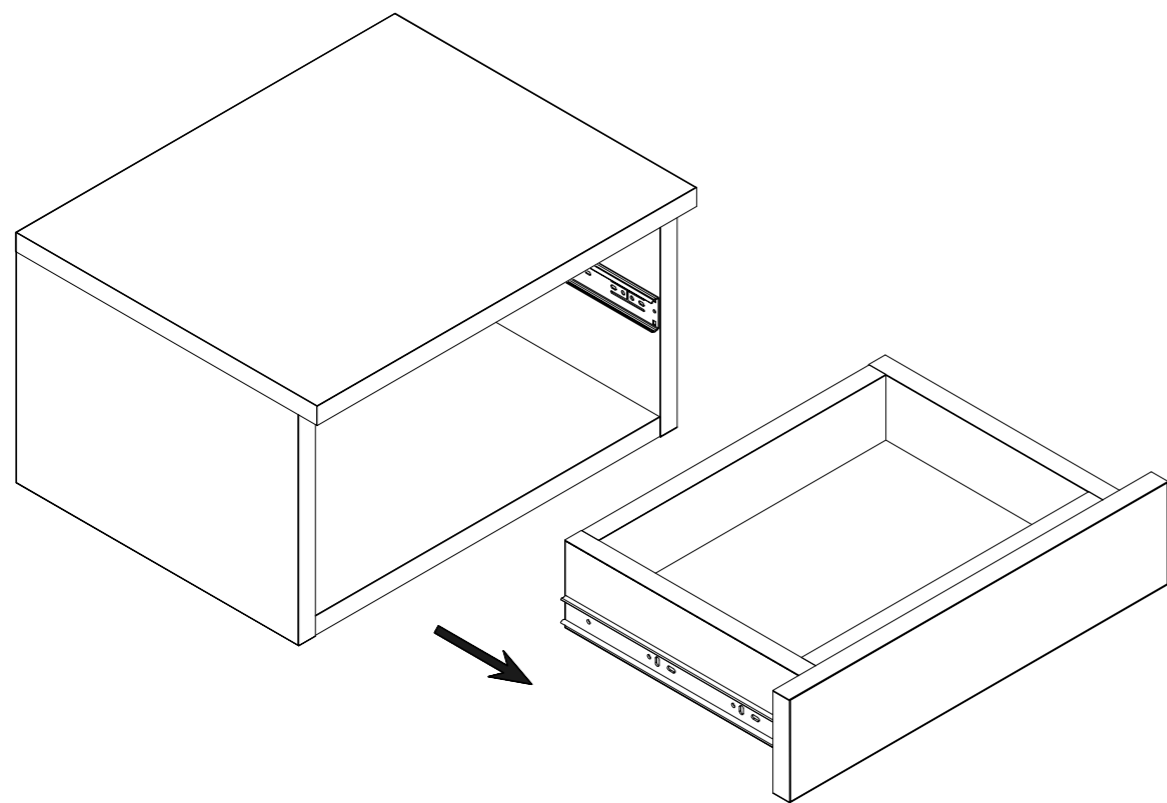
Part List

| PIECE | DESCRIPTION | PICTURE | QUANTITY |
|-------|-------------------|---|----------|
| A | French Cleat Wall |  | 1x |
| B | Cabinet |  | 1x |

Hardware List

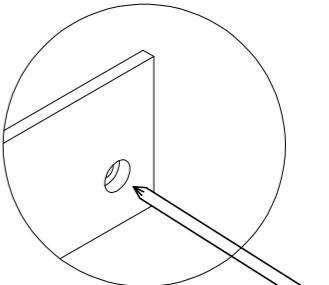
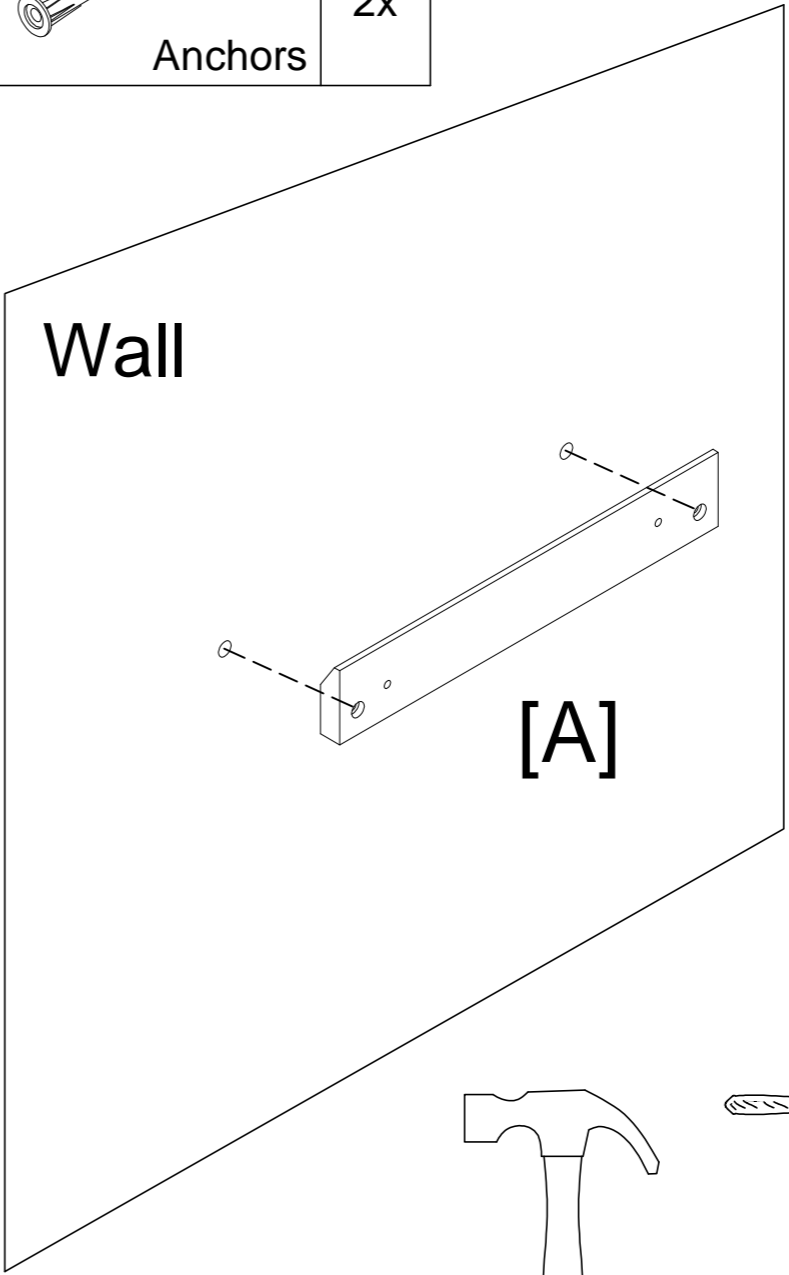
| PIECE | DESCRIPTION | PICTURE | QUANTITY |
|-------|-------------|---|----------|
| 1 | Anchors |  | 2x |
| 2 | Screw M6x70 |  | 2x |
| 3 | Screw M4x25 |  | 2x |

1

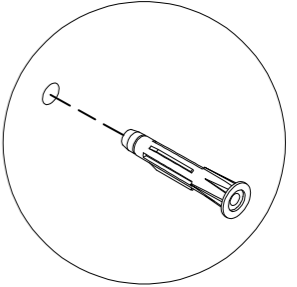


2

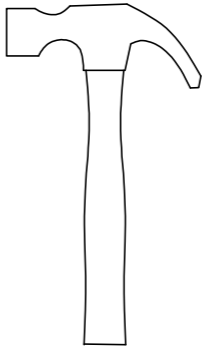
| | | |
|---|---|----|
| 1 |  | 2x |
| | Anchors | |



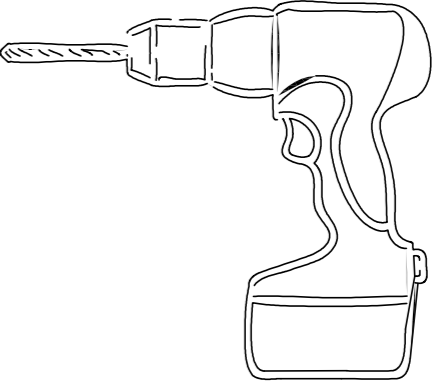
Mark where holes need to be drilled



Tap the wall anchors into place in the new holes that you just drilled.



Hammer



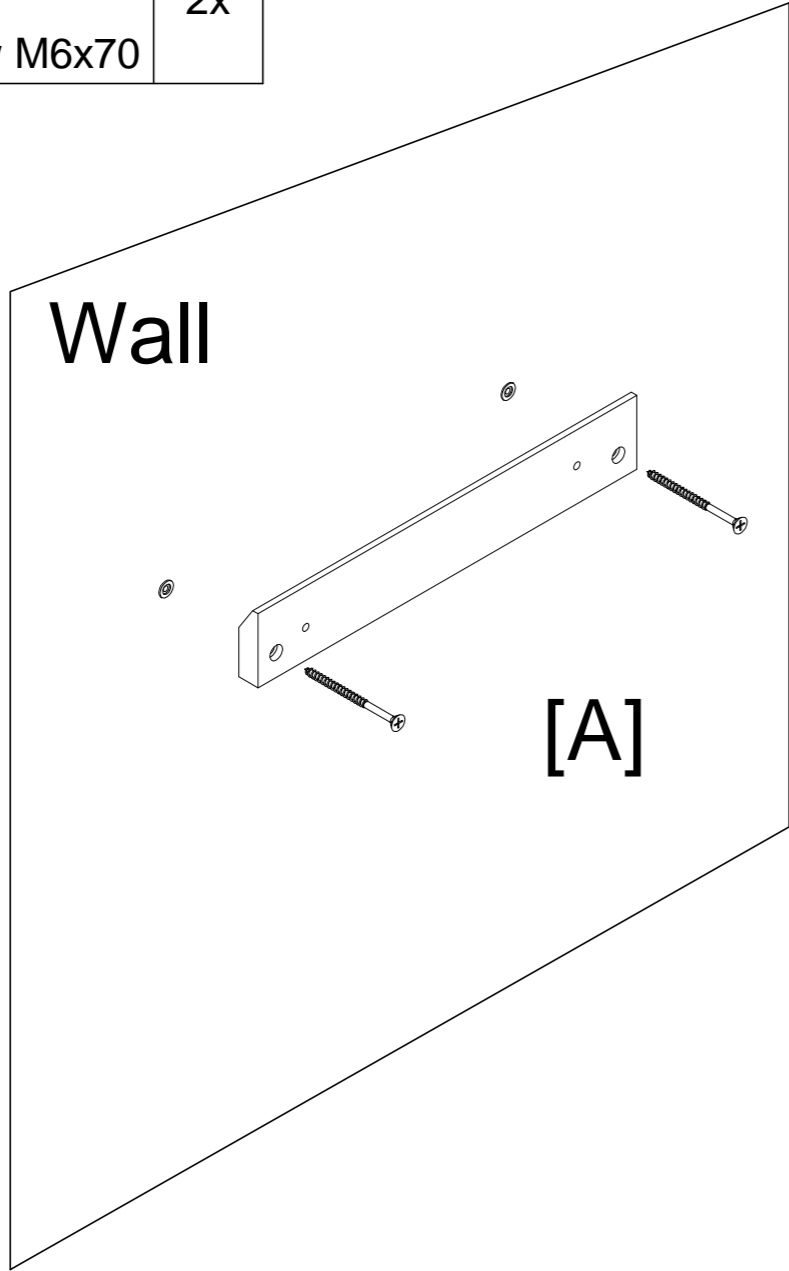
Drill Machine

3

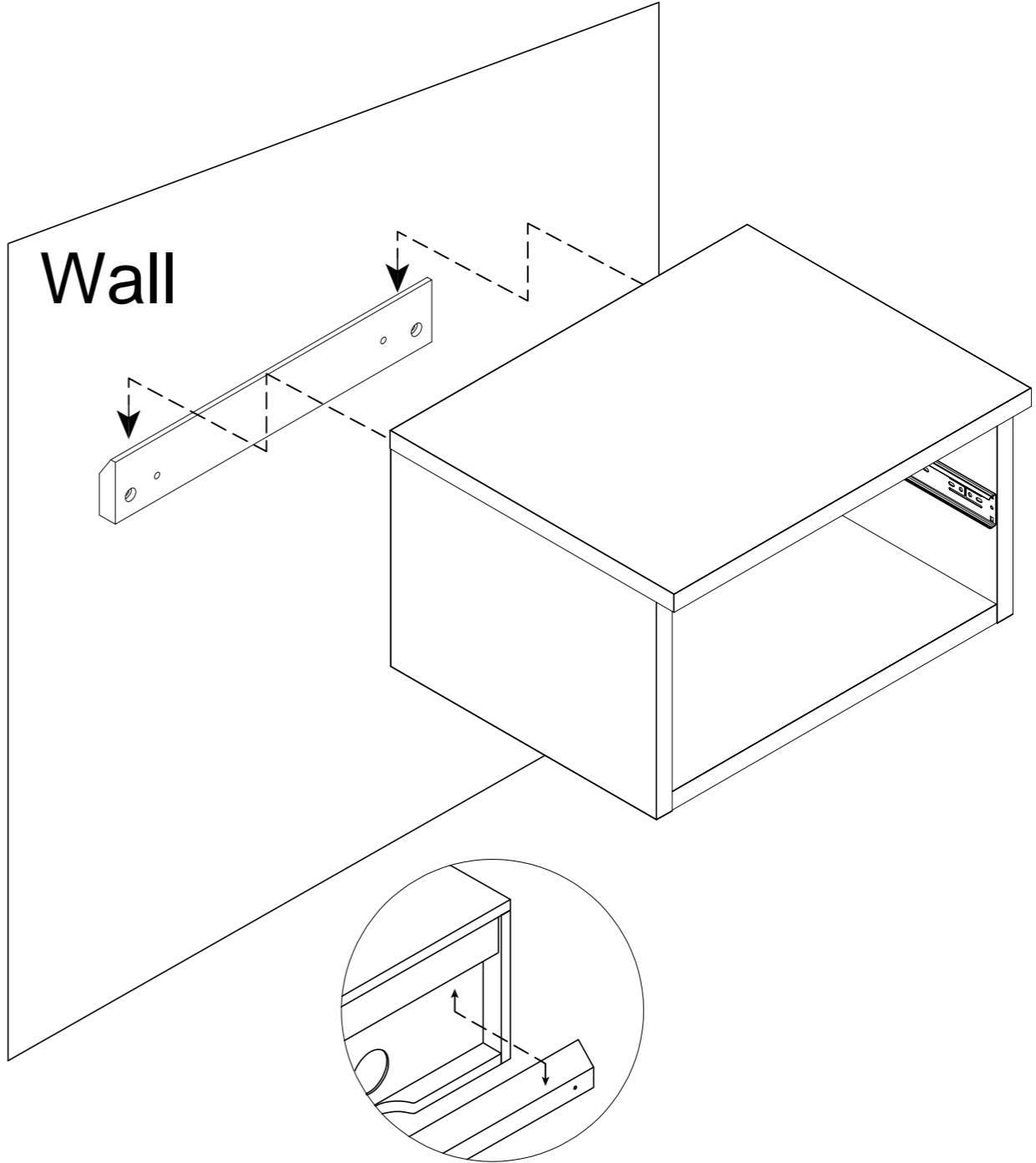
2



2x

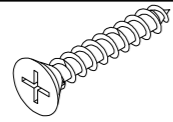


4



5

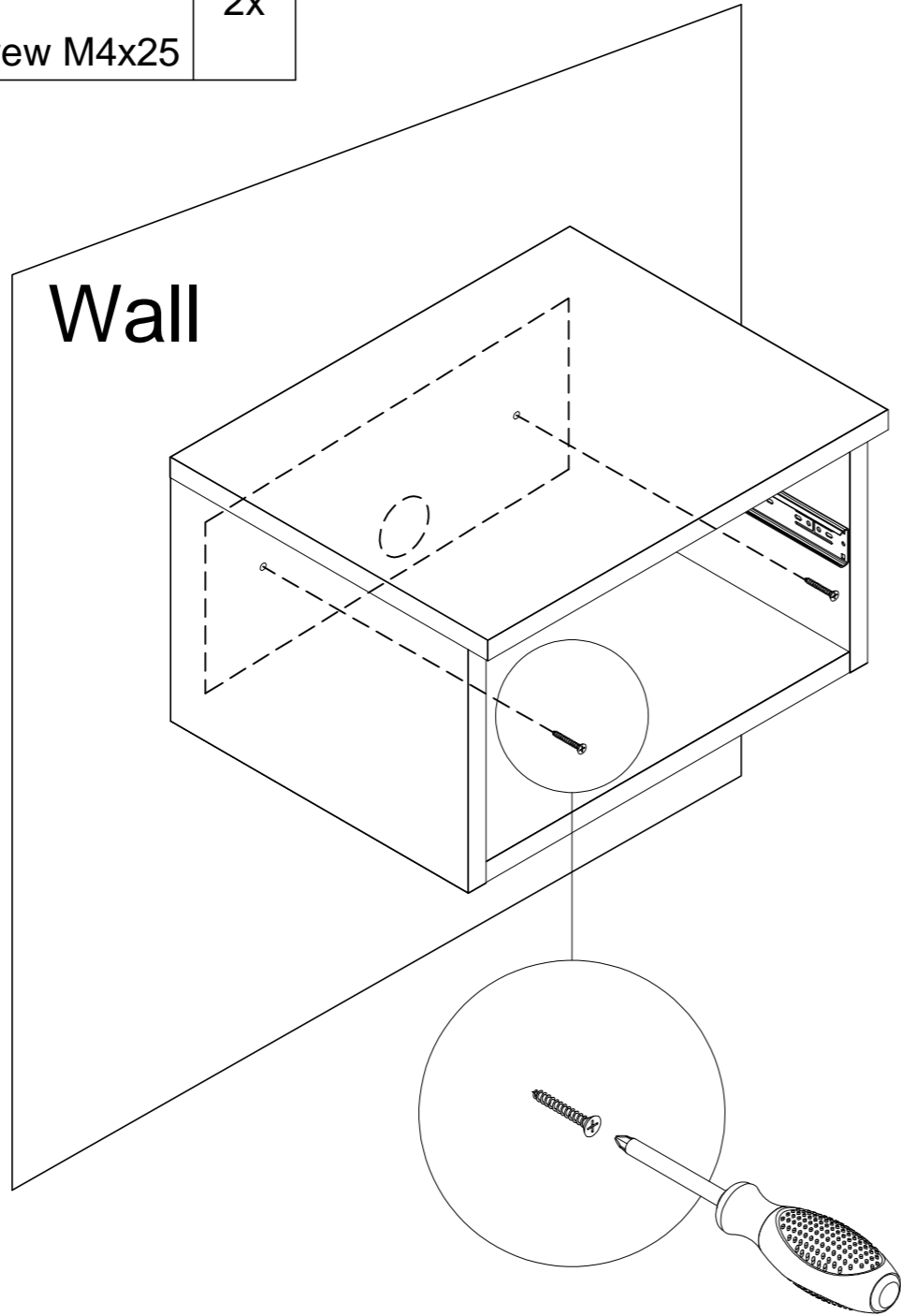
3



Screw M4x25

2x

Wall



6

