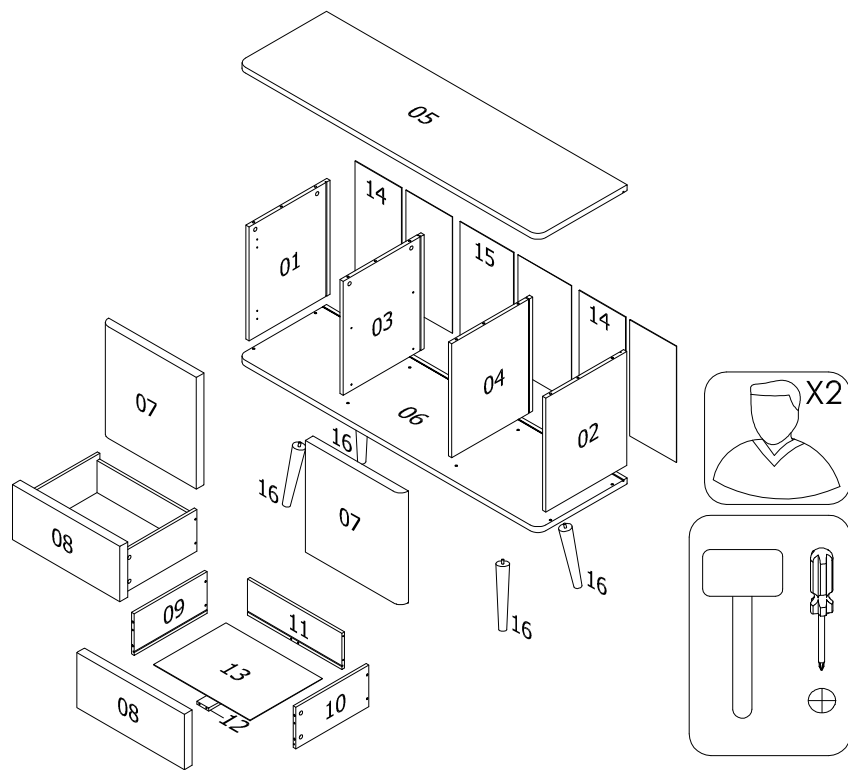


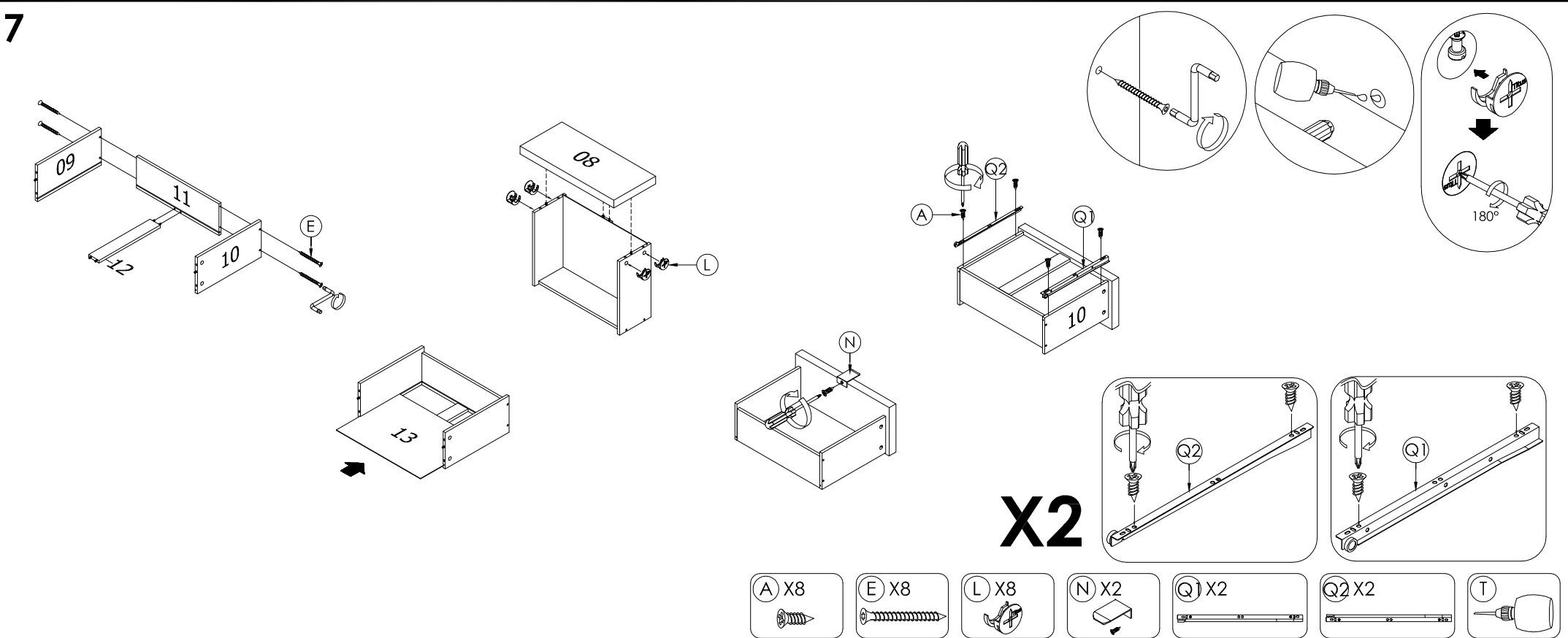
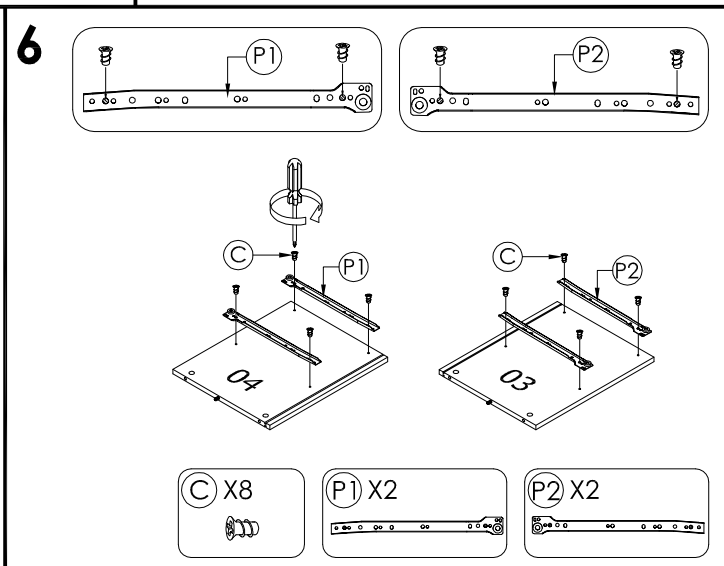
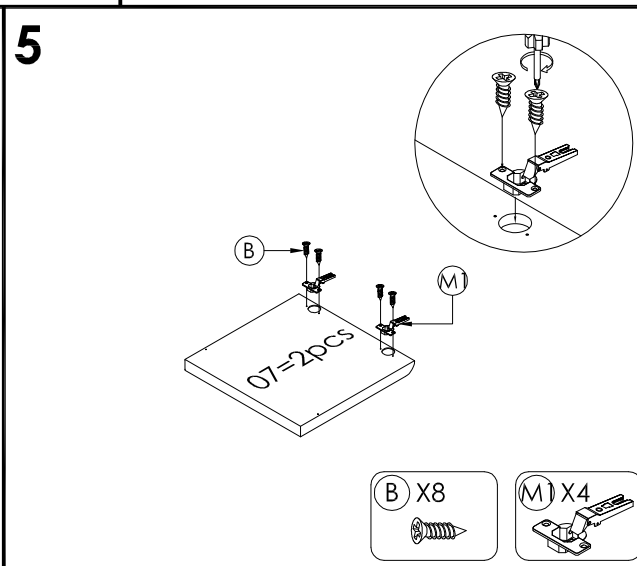
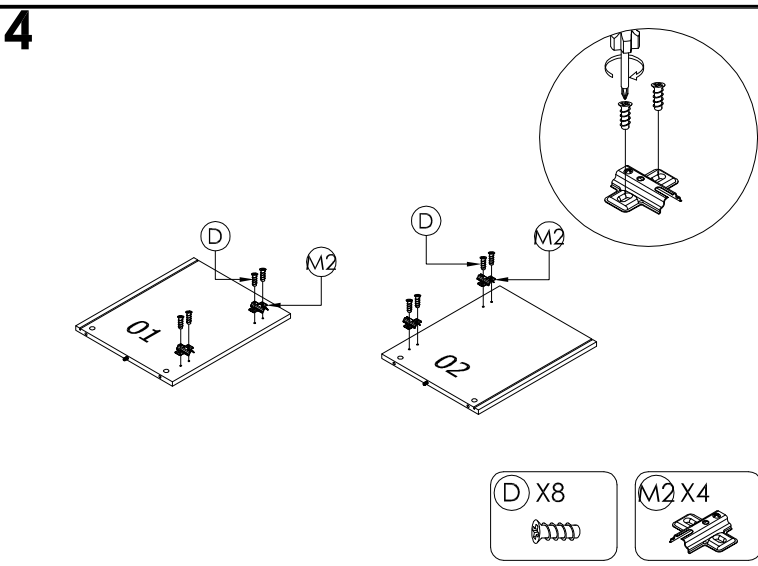
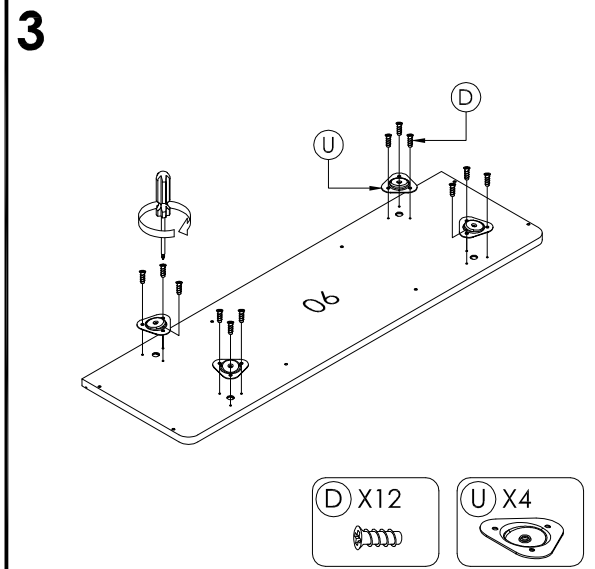
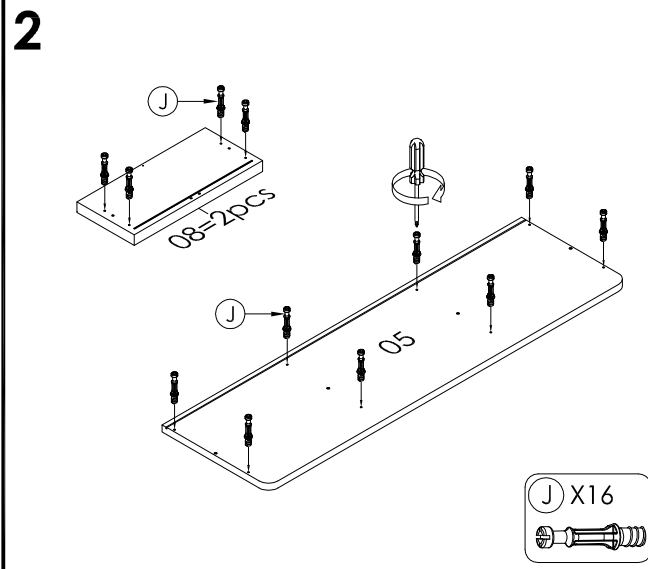
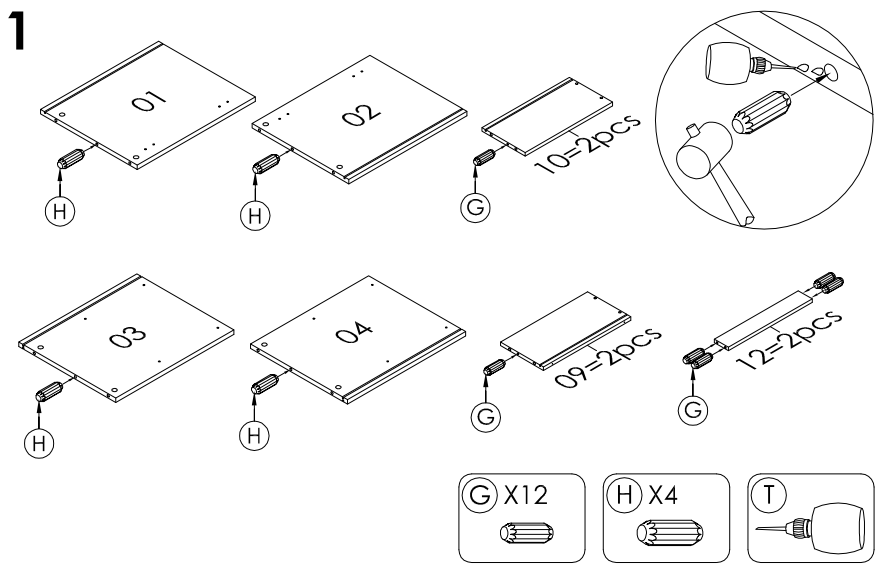
ASSEMBLING GUIDE

WARNING! NOT SUITABLE FOR CHILDREN UNDER 3 YEARS. CONTAINS SMALL PARTS.

CAUTION
 MATERIAL USED - LAMINATED MEDIUM DENSITY FIBERBOARD AND PARTICLEBOARD FRAME * TO CLEAN USING SOFT, DRY, CLOTH * DO NOT USE DETERGENT OR CHEMICALS * AVOID CONTACT WITH WATER AND DIRECT SUNLIGHT * TO BE ASSEMBLED ON A SOFT, DRY, CLEAN AND SMOOTH SURFACE * DO NOT USE POWER DRILLS TO ASSEMBLE AS THIS MAY CAUSE DAMAGE TO THE PRODUCT IF OVER-TIGHTENED



A		CSK SCREW M3.5 X 12MM	8	M1		METAL CONCEALED HINGES (5/8") W/ SPRING	4
B		CSK SCREW M3.5 X 15MM	26	M2		HINGES PLATE	4
C		EURO SCREW M6 X 9MM	8	N		ALUMINIUM J SHAPE HANDLE (50X16X32MM)=(1PC) WITH SCREW (M3.5 X 15MM)=(1 PCS)	4
D		EURO SCREW M6 X 13MM	20	P1		DRAWER SLIDE CR (350MM)	2
E		JCBC(W) SCREW M6 X 40MM	8	P2		DRAWER SLIDE CL (350MM)	2
F		UNITAR SCREW M7 X 60	8	Q1		DRAWER SLIDE DR (350MM)	2
G		WOOD DOWEL (Ø6 X 20MM)	12	Q2		DRAWER SLIDE DL (350MM)	2
H		WOOD DOWEL (Ø8 X 25MM)	4	R		ALLEN KEY M4	1
J		BOLT-9607 PARALEL NECK DOWEL 24 X 8.5	16	S		BACKPLY STOPPER	18
K		CAM-9499 CAM 3000 15 X 12	8	T		GLUE	2
L		CAM-9642 CAM 3000 12/13MM	8	U		METAL 10 BRACKET (2 X 92 X 92MM)	4
V		PLASTIC LEVELLER(10MM)	4				

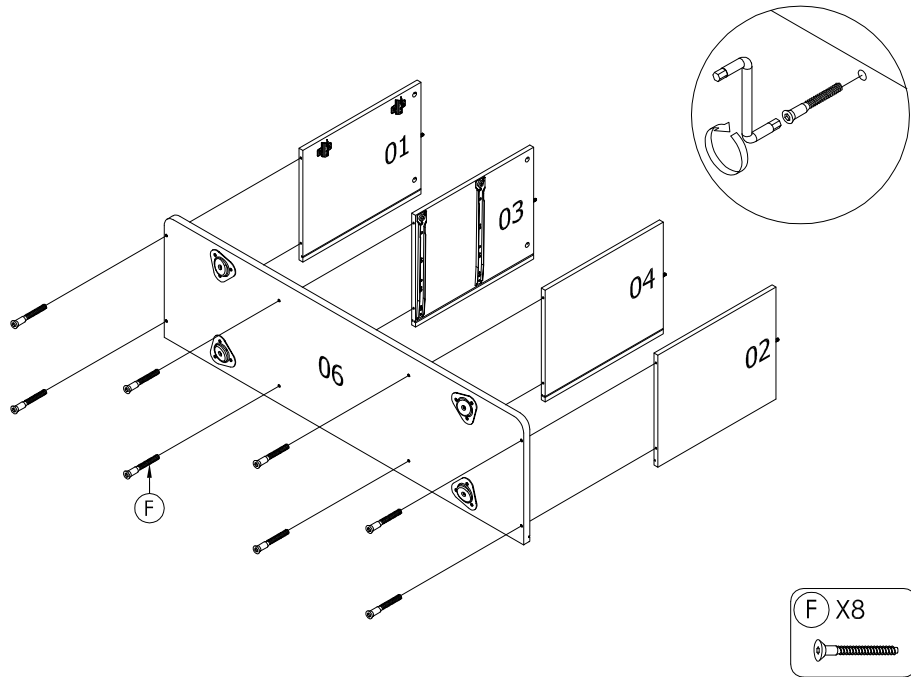


ASSEMBLING GUIDE

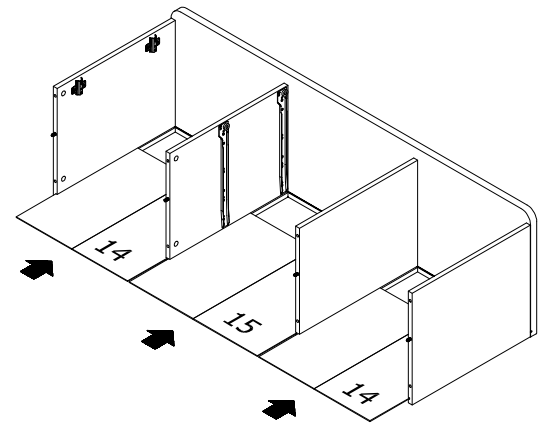
WARNING! NOT SUITABLE FOR CHILDREN UNDER 3 YEARS. CONTAINS SMALL PARTS.

CAUTION
 MATERIAL USED - LAMINATED MEDIUM DENSITY FIBERBOARD AND PARTICLEBOARD FRAME * TO CLEAN USING SOFT, DRY, CLOTH * DO NOT USE DETERGENT OR CHEMICALS * AVOID CONTACT WITH WATER AND DIRECT SUNLIGHT * TO BE ASSEMBLED ON A SOFT, DRY, CLEAN AND SMOOTH SURFACE * DO NOT USE POWER DRILLS TO ASSEMBLE AS THIS MAY CAUSE DAMAGE TO THE PRODUCT IF OVER-TIGHTENED

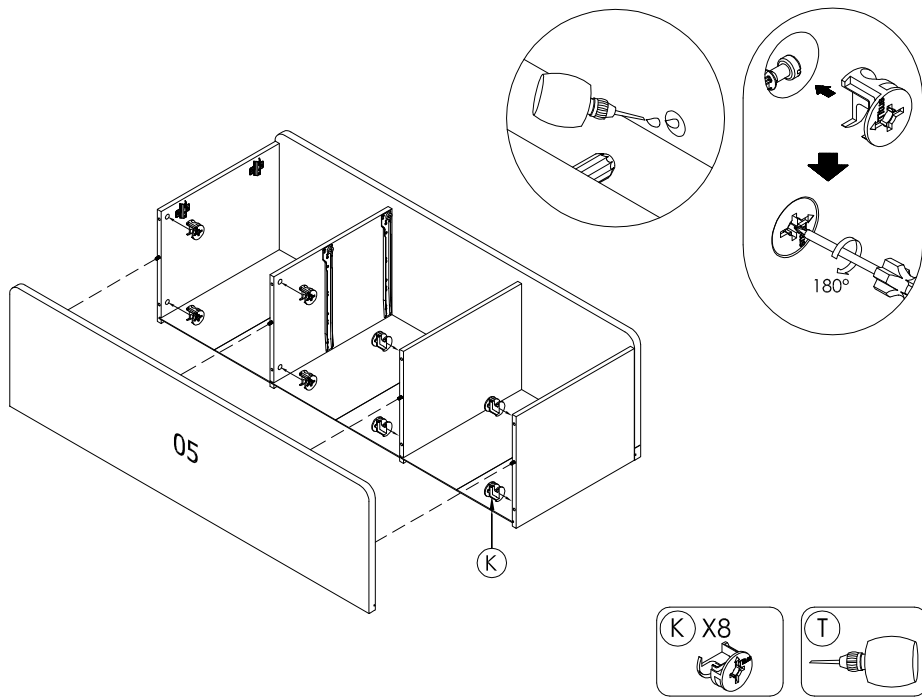
8



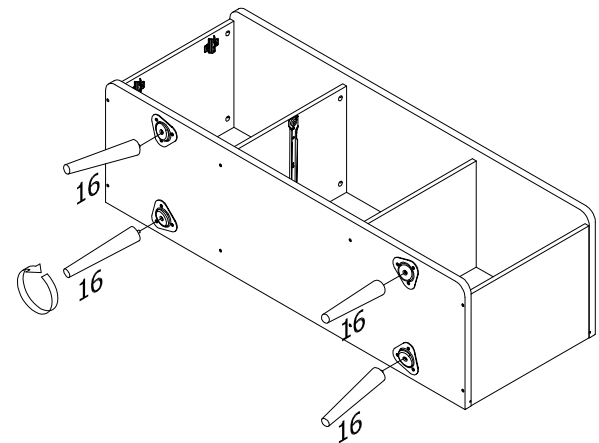
9



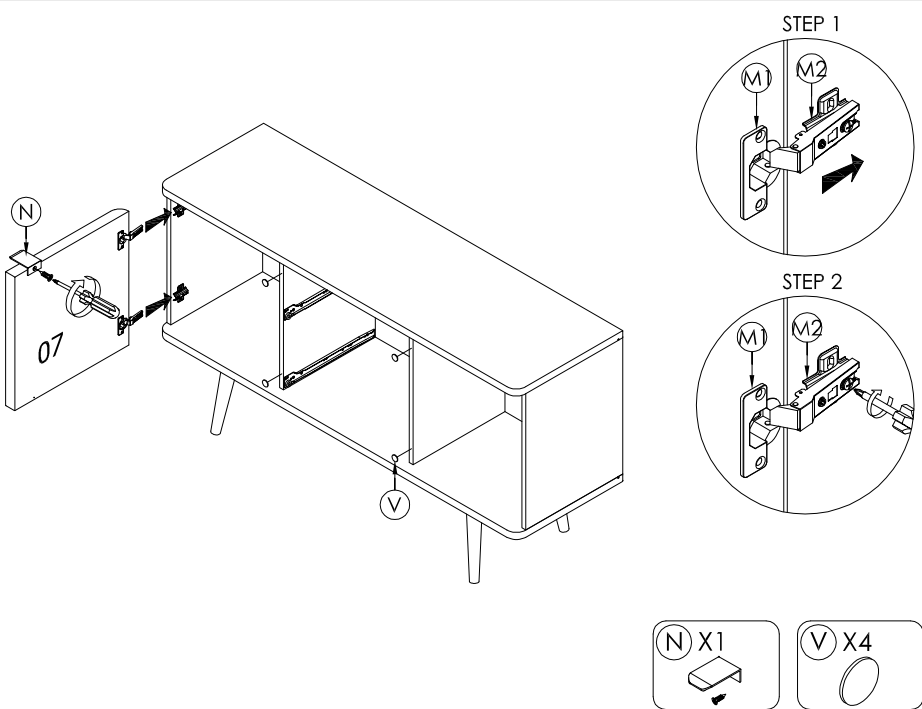
10



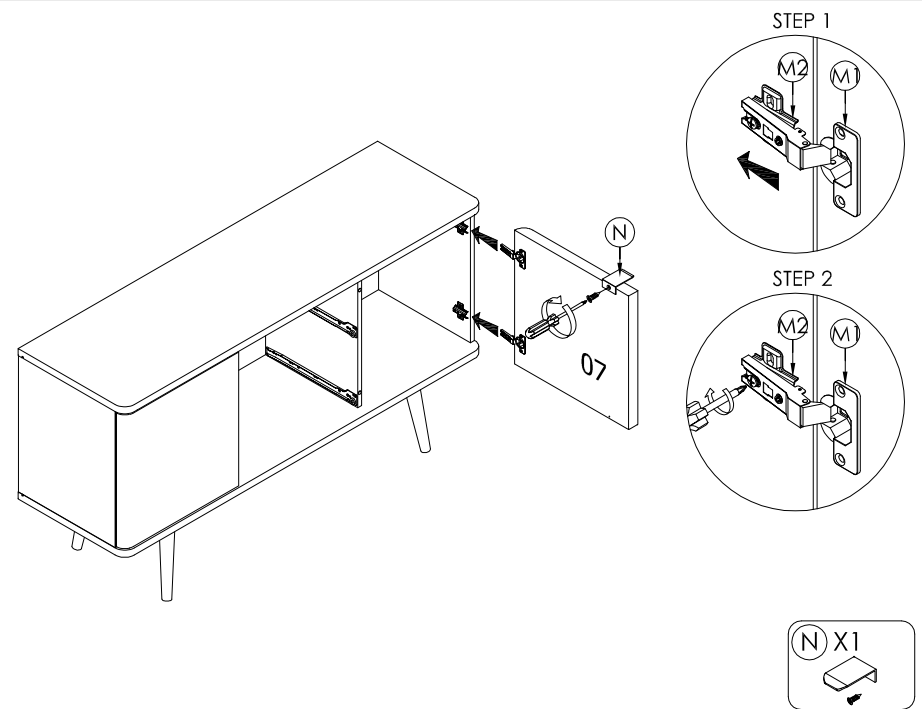
11



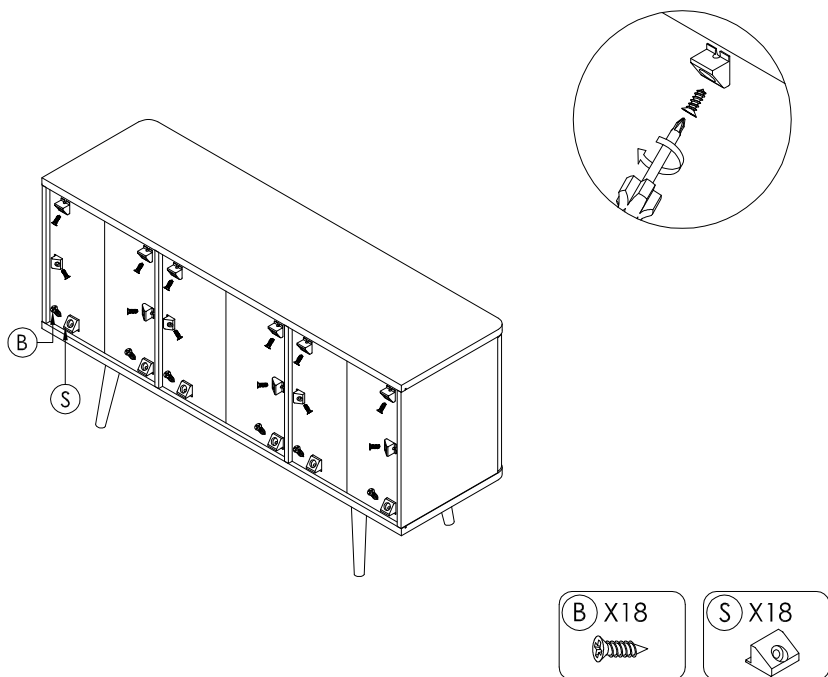
12



13



14



15

