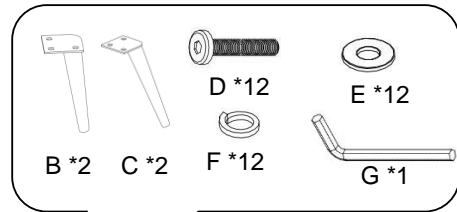


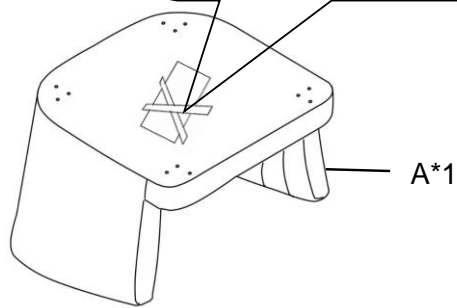
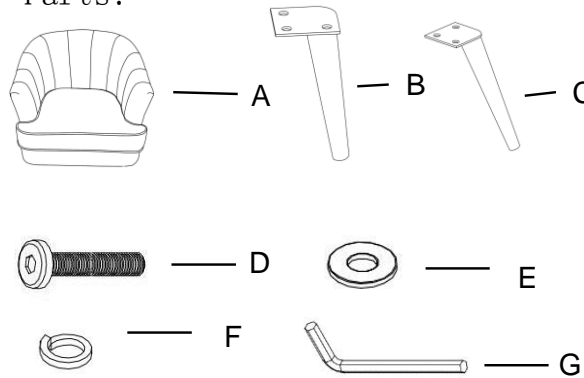
## Assembly Picture

## Assembly Instruction

STEP 1:

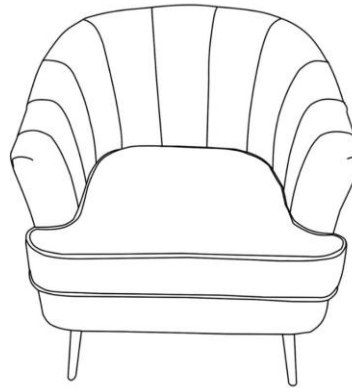
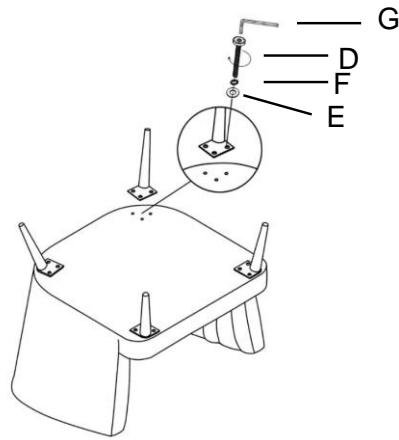
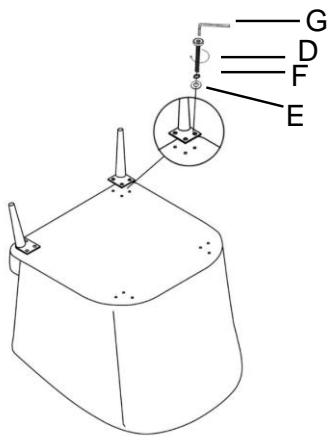


Parts:



STEP 3:

STEP 2:



**Carefully unpack all parts before attempting to assemble.**

**STEP ONE** Open the zipper bag of the bottom and take the parts pack out.

**STEP TWO** Take all parts out, Attach the front legs into the seat holes, by inserting the bolts into the leg holes, then tighten with the Allen key.

**STEP THREE** Attach the back legs into the seat holes, by inserting the bolts into the leg holes, then tighten with the Allen key.

### Parts List

A - Chair basic	1
B - Front legs	2
C - Back legs	2
D - Bolt M8*1.25/3cm	12
E - Flat washer	12
F - Lock washer	12
G - Allen key	1
H - parts pack With two pairs of white gloves and blue plastic shoe's cover.	1