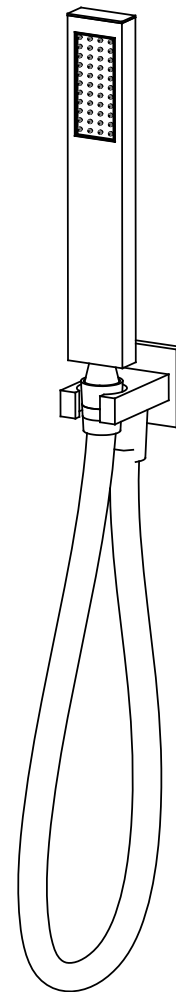
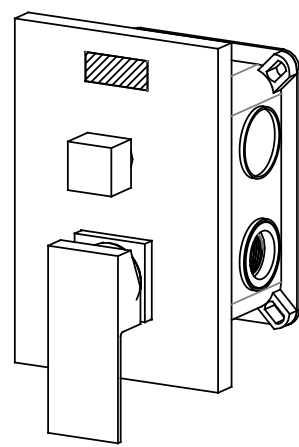
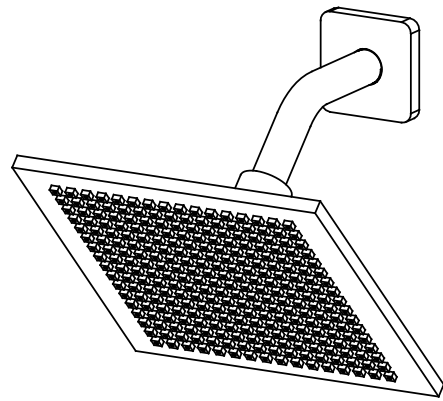


**INSTALLATION GUIDE**



**Pressure Balanced Shower System with Digital Temperature Display**

MODEL	FINISH
S3123CD-B	CHROME
S3123ND-B	BRUSHED NICEKL

## THANK YOU

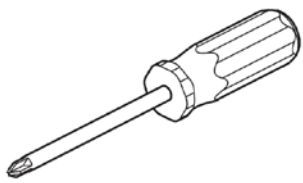
Dear Valued Customer,  
SUMERAIN would like to take this opportunity to thank you for purchasing SUMERAIN products. It is our sincere hope that you are completely satisfied with your new purchase. All SUMERAIN products are carefully engineered, and factory tested to provide long trouble-free use under normal conditions. This product is easy to install using basic tools and our easy to follow illustrated instructions. We welcome any questions or comments you may have and look forward to assisting you in the future. If you have any questions regarding this product, call +86-750-2731579 or email to [supports@sumerain.com](mailto:supports@sumerain.com).

Sincerely,  
SUMERAIN customer service department

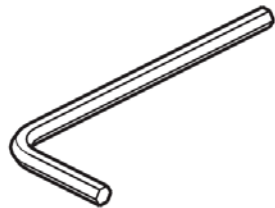
## BEFORE PROCEEDING

1. Unpack your new product and ensure that all the parts are contained in the packaging. Keep the product in its original box until you ready to install it.
2. Locate water supply inlets and shut off the water supply valves. These are usually found near the water meter. if you are replacing an existing unit, remove the old unit and clean the mounting surface thoroughly.
3. Observe all plumbing and building codes in your area.
4. It is recommends calling professional if you are uncertain about installing this product.

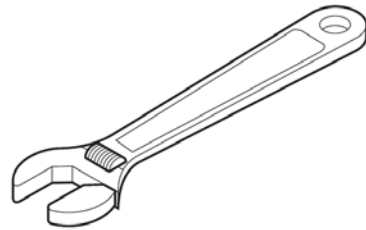
## TOOLS RECOMMENDED



Philips screwdriver



Allen wrench



Adjustable wrench



Channel locks



Thread Sealant

## LIMITED LIFETIME CONSUMER WARRANTY

VERSION: 140320.15.3

This product has been manufactured and tested to the highest quality standards by SUMERAIN sanitary Inc("SUMERAIN").This warranty is limited to SUMERAIN products which are purchased by a consumer in the China after Jan 1,2010 and installed in China or the state which has SUMERAIN technical support department locally.(visit <http://www.sumerain.com/en/supportcenter.asp> for review the state list of SUMERAIN technical support department).If the faucet should leak or drip during normal use,SUMERAIN will, free of charge, mail to the purchaser the cartridge necessary to put the faucet in good working condition. If a defect is found in normal residential use, SUMERAIN will, at its election, repair, provide a replacement part or product, or make appropriate adjustment.

### WHO IS COVERED BY THE WARRANTY

This warranty extends to the original consumer purchaser only (exclusive online retail original customer, online retail original customer cover by the "Online CONSUMER Limited Lifetime WARRANTY & Return policy"), This warranty is not-transferable.

### WHAT IS COVERED BY THE WARRANTY

This warranty covers only your SUMERAIN manufactured product. SUMERAIN warrants this product against defects in material or workmanship as follows: SUMERAIN will repair at no charge for parts only or, at its option, replace any product or part of the product that proves defective because of improper workmanship and/or material, under normal installation, use, service and maintenance. If SUMERAIN unable to provide replacement, SUMERAIN may elect to provide similar model upon close value.

### FINISH WARRANTY

It is the responsibility of the customer to check for any material finish defects before installation. SUMERAIN doesn't warranty these finishes after the fixture has been installed.

### ELECTRONIC FAUCETS WARRANTY

SUMERAIN warrants that its electronic faucets, valves and controls to be free from manufacturing defects in material and workmanship under normal use for three(3) years from the date of purchase and waterflow impeller-dynamo (generate power for LED faucet) for six(6) months from the date of purchase.

### LENGTH OF WARRANTY

Replacement or repaired parts of products will be covered for the term of this warranty as stated in the following two sentences, if you are a consumer who purchased the product for use primarily for personal,family,or household purposes, this warranty extends for 5 years since the product originally installed (Extend max 1 month From the date of purchase).if you purchased the product for use primarily for any other purpose,including,without limitation, a commercial purpose or is installed outside of China, or if the finish is gold, non-Vibrant or a painted or powder coated color finish this warranty extends only for one year, with respect to SUMERAIN and commercial products.

### THIS WARRANTY DOES NOT COVER, AND SUMERAIN WILL NOT PAY FOR:

- A. Conditions, malfunctions or damage not resulting from defects in material or workmanship.
- B. Conditions, malfunctions or damage resulting from normal wear and tear, improper installation, improper maintenance, misuse, abuse,negligence,accident or alteration or the use of abrasive or caustic cleaning agents or "no-rinse" cleaning products, or the use of the product in any manner contrary to the product instructions. Conditions in the home such as excessive water pressure or corrosion.
- C. Labor or other expenses for the disconnection, deinstallation, or return of the product for warranty service, or for installation or reinstallation of the product.
- D. Accessories, connected materials and products (including but not limited in handshower flexible hose, spray flexible hose, handshower), or related products not manufactured by SUMERAIN

### TO OBTAIN WARRANTY PARTS OR INFORMATION

Contact your SUMERAIN retailer or contact technical service at: [supports@sumerain.com](mailto:supports@sumerain.com)

In requesting warranty service, you will need to provide

1. The sales receipt or other evidence of the date and the place of purchase.
2. A description of the problem (Download URL: <http://www.sumerain.com/download/servicerequest/sheet.pdf> and fill out the Service Request Sheet).
3. Delivery of the product or the defective part, postage prepaid and carefully packed and insured to :  
SUMERAIN FACTORY SUPPORT CENTER ,25 Building,Tangkou industrial park,Shuikou Town,Jiangmen Kaiping city,  
Guangdong province,China 529301

When warranty service is completed, any repaired or replacement product or part will be returned to you postage prepaid.

### EXCLUSIONS AND LIMITATIONS

Repair or replacement (or, in limited circumstances, refund of the purchase price) as provided under this warranty is the exclusive remedy of the purchaser. SUMERAIN neither assumes nor authorizes any person to create for it any obligation or liability in connection with this product.SUMERAIN shall not be liable to purchaser or any person for any incidental, special, or consequential damages, arising out of breach of this warranty or any implied warranty (including merchantability) Some states do not allow the exclusion or limitation of incidental or consequential damages, so the above limitation or exclusion may not apply to you. This warranty gives you specific legal right, and you may have other rights which vary from state to state. You may be required by law to give us a reasonable opportunity to correct or cure any failure to comply before you can bring any action in court against us under the Magnusson-moss warranty Act.

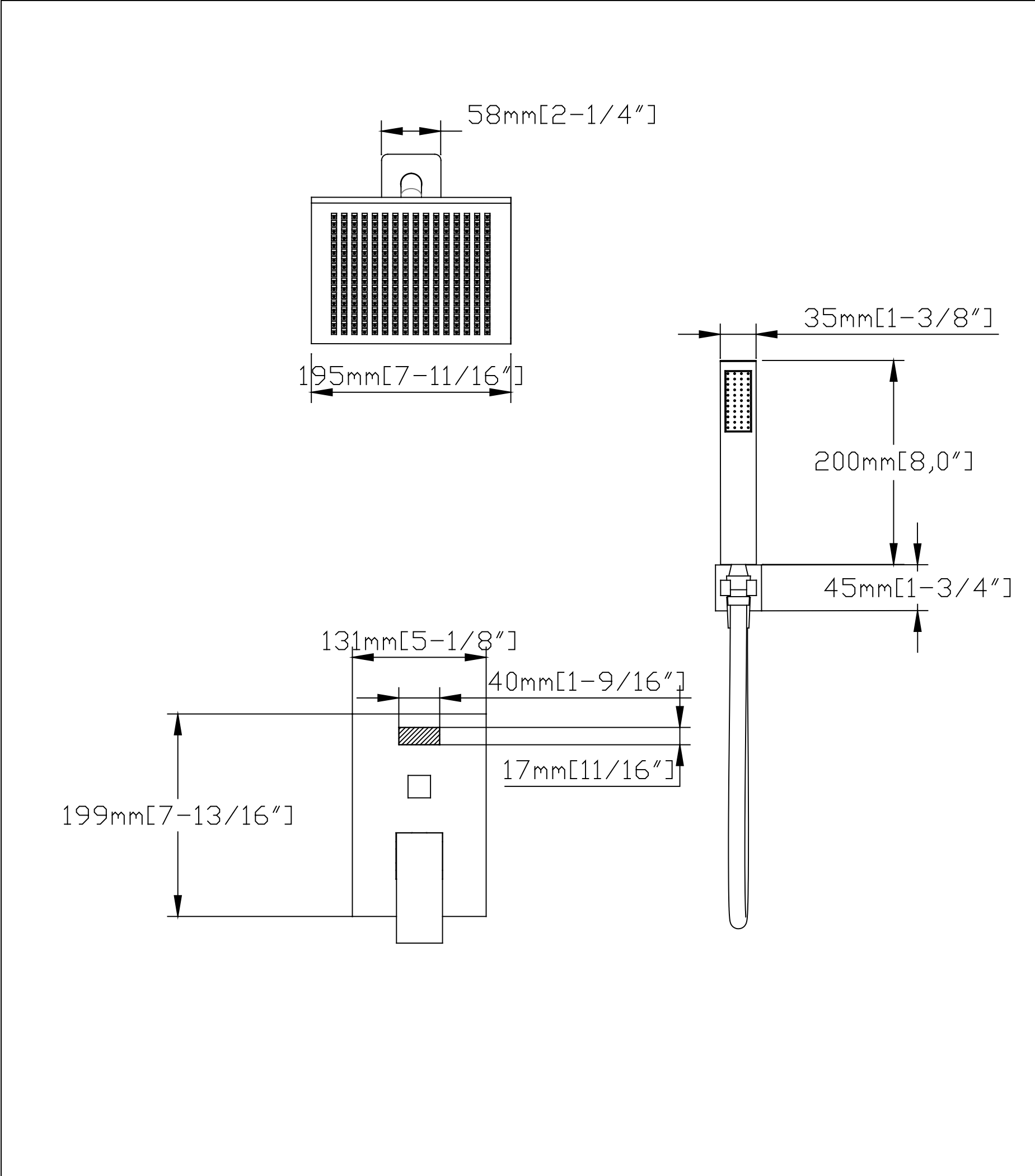
### PRODUCT INSTRUCTIONS AND QUESTIONS

Upon purchase or prior to installation, please carefully inspect your SUMERAIN product for any damage or visible defect. Prior to installing, always carefully study the enclosed instructions on the proper installation and the care and maintenance of the product. if you have questions at any time about the use,installation,or performance of your SUMERAIN product, or this warranty, please call or email us at +86-750-2731579, [supports@sumerain.com](mailto:supports@sumerain.com)

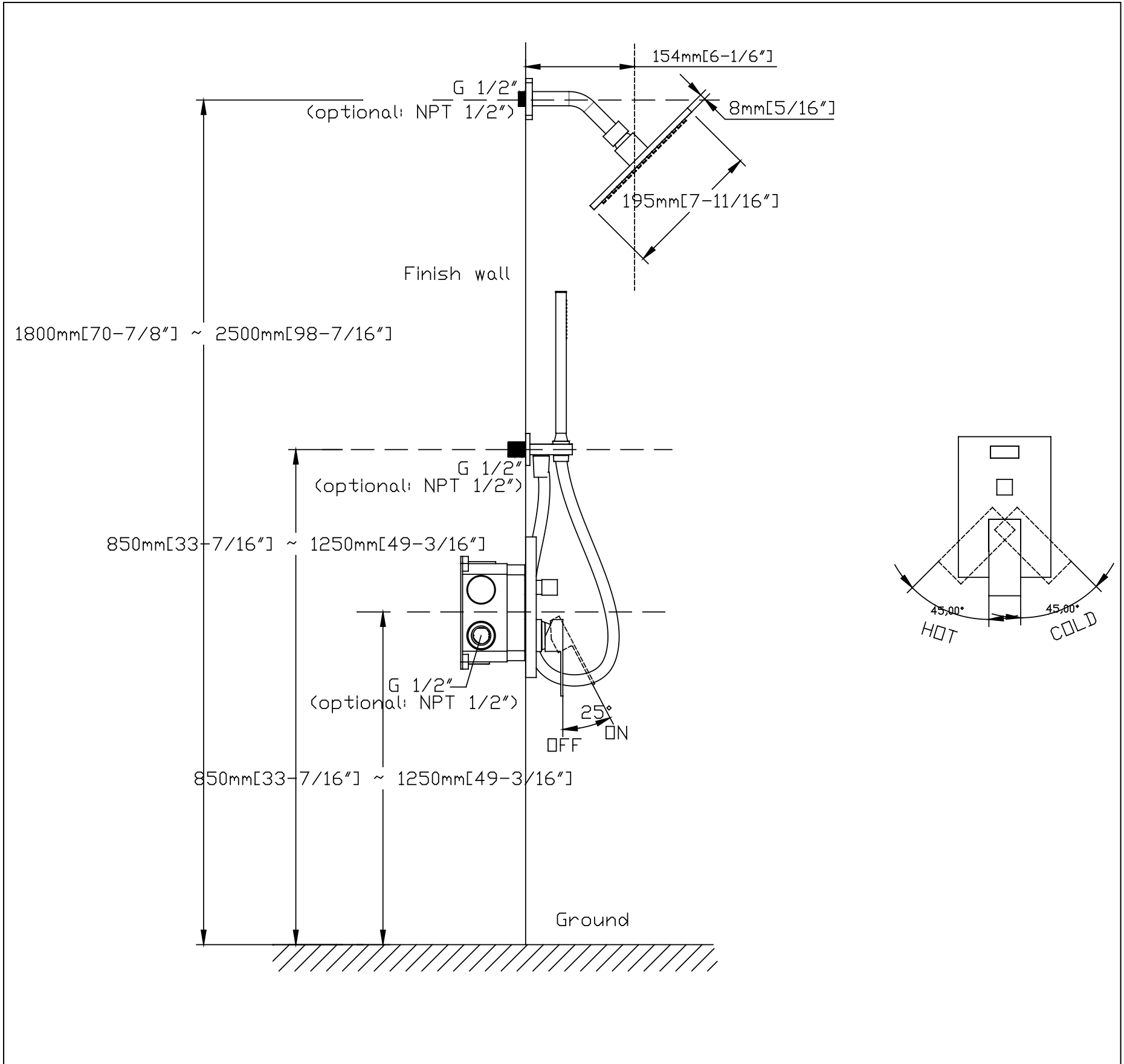
## FUNCTIONS AND SPECIFICATION

<b>Faucet type</b>	Shower System	
<b>Feature</b>	Digital Temperature Display, Concealed box	
<b>Theme</b>	Modern, Contemporary	
<b>Mounting type</b>	Wall mount	
<b>Number of Handles</b>	One	
<b>Handles Material</b>	Metal	
<b>Handle style</b>	Lever	
<b>Shower Arm Reach</b>	154mm [6-1/6 Inch]	
<b>Showerhead Width</b>	195mm [7-11/16 Inch]	
<b>Showerhead Length</b>	195mm [7-11/16 Inch]	
<b>Valve Type</b>	Pressure Balance Valve	
<b>Faucet Body Material</b>	Brass	
<b>Escutcheon Material</b>	Brass	
<b>Diverter included</b>	Yes	
<b>Diverter location</b>	Rough-in Valve	
<b>Showerhead Type</b>	Rain shower	
<b>Showerhead shape</b>	Square	
<b>Showerhead function</b>	Single function	
<b>Showerhead Material</b>	Brass	
<b>Showerhead Flow rate</b>	6.81L/M [ 1.8 GPM ]	
<b>Hand shower Flow rate</b>	4.54L/M [ 1.2 GPM ]	
<b>Elbow Material</b>	Brass	
<b>Hand shower holder Material</b>	Brass	
<b>Hand shower Material</b>	Brass	
<b>Hand shower Height</b>	200mm [7-7/8 Inch]	
<b>Hand shower width</b>	35mm [1-3/8 Inch ]	
<b>Recommend Working water pressure</b>	3 bar ~ 8 bar	
<b>Power supply</b>	Rechargeable 4.2V polymer lithium battery	
<b>Battery capacity</b>	1000mAh	
<b>Charge Jack</b>	Micro-USB	
<b>Recharger [optional]</b>	Input AC 110V ~ 240V, Output :DC 5V-0.5A/1A/2A	
<b>Temperature sensor Deviation</b>	-/+ 1,0°C [1,8° F]	
<b>LCD backlight</b>	< 30 °C [86° F]	Blue color
	30 °C[86° F] ~ 38 °C[100,4° F]	Green color
	38 °C[100,4° F] ~ 45 °C[113° F]	Red color
	45 °C[113° F] ~ 48 °C[118,4° F]	Purple color
	>=48 °C[118,4° F]	Bluish yellow color
<b>Scald caution temperature</b>	>=45 °C[113° F]	
<b>Net Weight</b>	4.4KG [9,7lbs ]	
<b>Gross Weight</b>	4,8KG [ 10,6lbs ]	
<b>Packing box [L x W x H]</b>	660mm[26"]x390mm[15-3/8"]x140mm[5-1/2"]	

**DIMENSION**



**FRONT VIEW OF SHOWER**



SIDE VIEW OF SHOWER SYSTEM

## INSTALLATION STEPS

### 1. BEFORE PROCEEDING



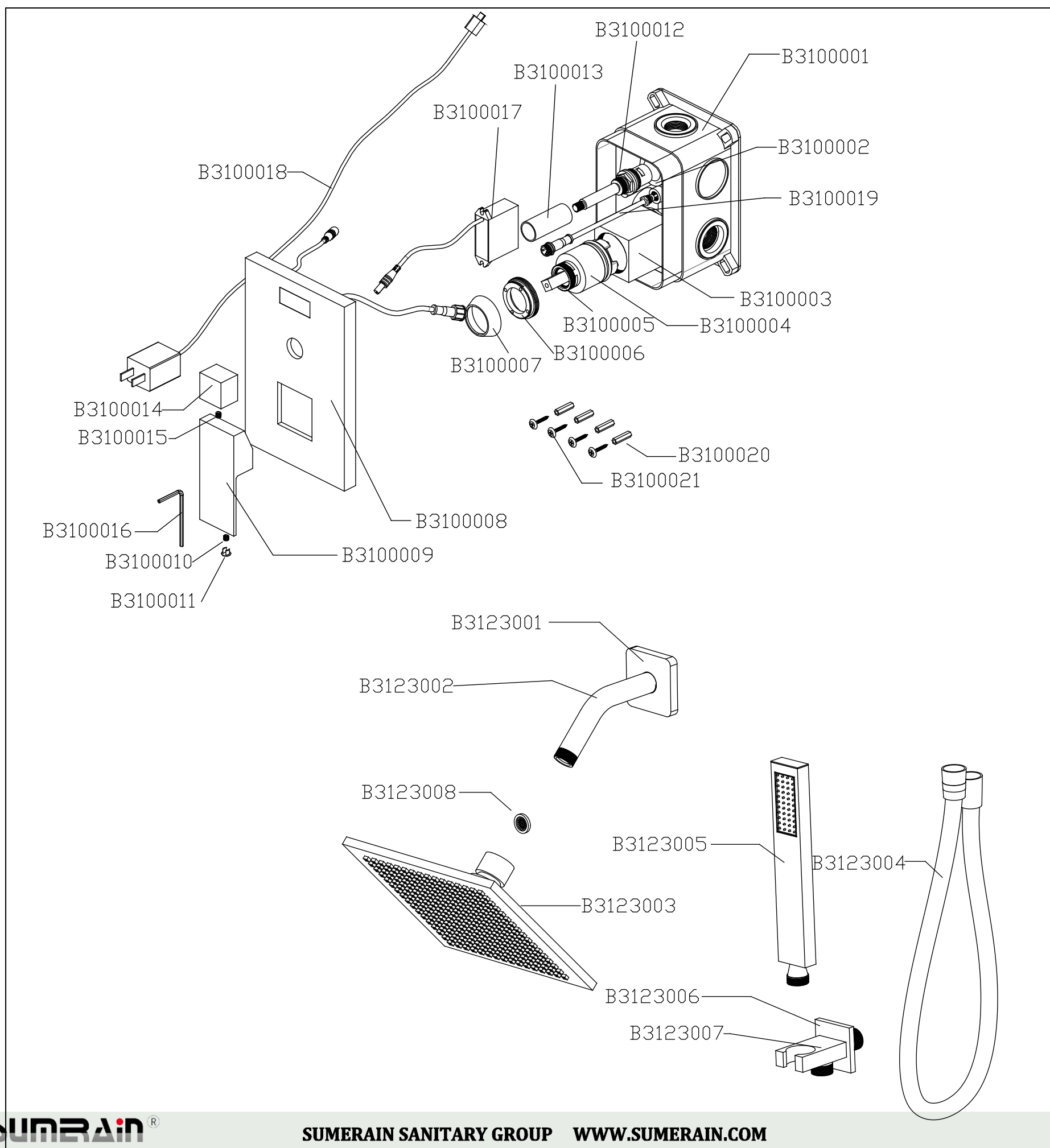
**WARNING:** Read all the instructions completely before proceeding. SUMERAIN recommends calling a professional if you are uncertain about installing this product!, this product should be installed in accordance with all local and state plumbing and building codes.

### 2. SHUT OFF WATER SUPPLY

Locate water supply inlets and shut off the water supply valves. These are usually found near the water meter. If you are replacing an existing unit, remove the old unit and clean the mounting surface thoroughly.

### 3. CHECKING THE CONTENTS OF THE BOX

Upon opening the box, check to ensure that all the following items are included.



CODE	ITEM NAME	QTY	CODE	ITEM NAME	QTY
B3100001	Concealed Box	1 PCS	B3100002	Rough-in valve	1 PCS
B3100003	Sleeve	1 PCS	B3100004	Pressure balance cartridge	1 PCS
B3100005	Temperature limiting Ring	1 PCS	B3100006	Bonnet nut	1 PCS
B3100007	Escutcheon	1 PCS	B3100008	Escutcheon	1 PCS
B3100009	Handle(lever)	1 PCS	B3100010	Set screw	1 PCS
B3100011	Screw cover	1 PCS	B3100012	Diverter cartridge	1 PCS
B3100013	Diverter sleeve	1 PCS	B3100014	Diverter knob	1 PCS
B3100015	Set screw	1 PCS	B3100016	Allen wrench 2.8mm	1 PCS
B3100017	Rechargeable lithium battery	1 PCS	B3100018	Recharger	1 PCS
B3100019	Temperature sensor module	1 PCS	B3100020	Anchor	4 PCS
B3100021	Screw for Anchor	4 PCS	B3123001	Shower arm escutcheon	1 PCS
B3123002	Shower arm	1 PCS	B3123003	Stainless steel showerhead	1 PCS
B3123004	Shower hose	1 PCS	B3123005	Hand shower	1 PCS
B3123006	Elbow escutcheon	1 PCS	B3123007	Hand shower holder	1 PCS
B3123008	Screen washer	1 PCS			

If any of these items are missing, please contact SUMERAIN consumer service at +86-750-2731579 or email to: [supports@sumerain.com](mailto:supports@sumerain.com)

#### **4. PLANNING AND INSTALLATION INSTRUCTIONS**



**Attentions:** The shower has to be installed, rinsed and checked in compliance with the applicable regulations in order to guarantee proper shower function!

The dimensions of the shower set-up must be individually.

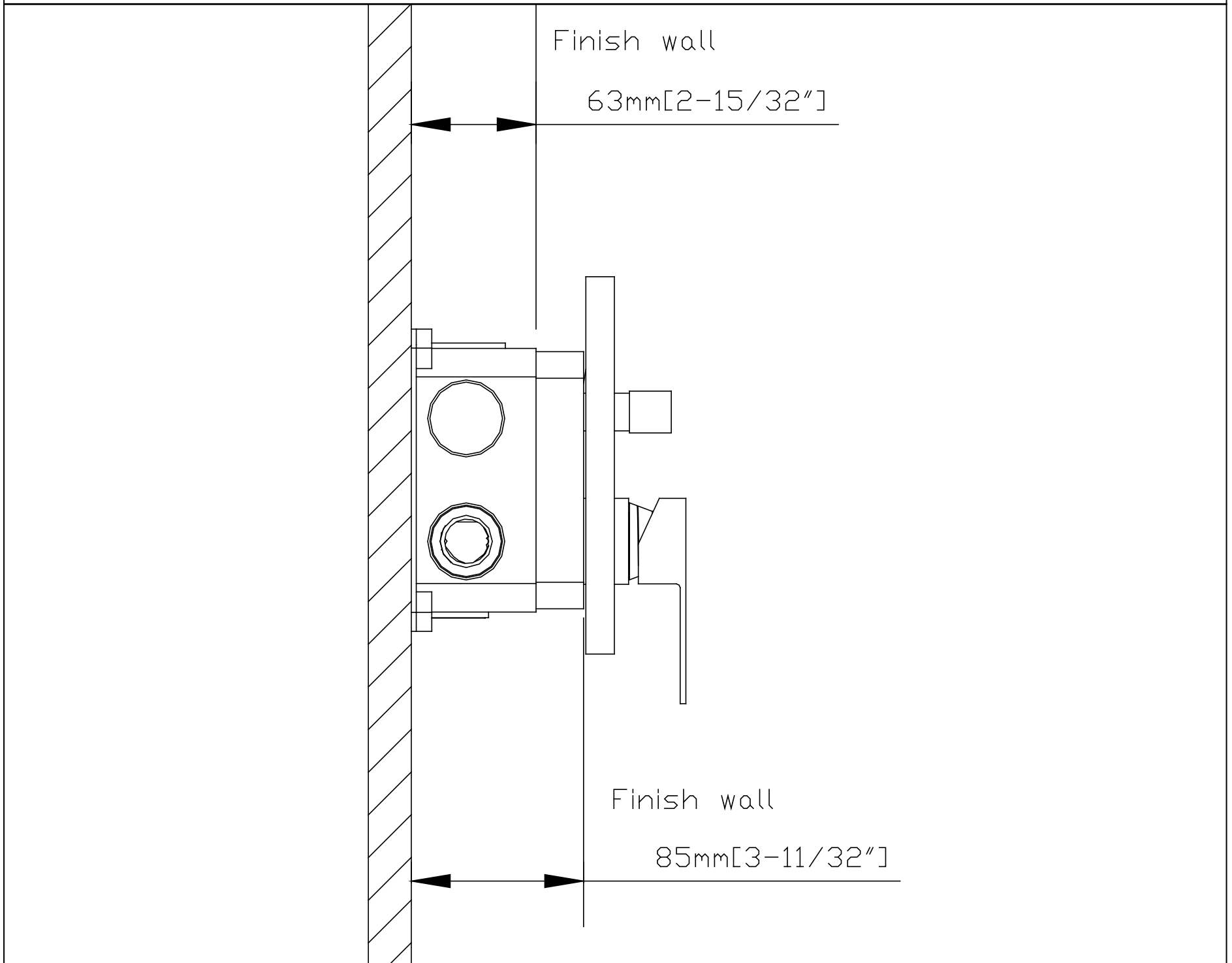
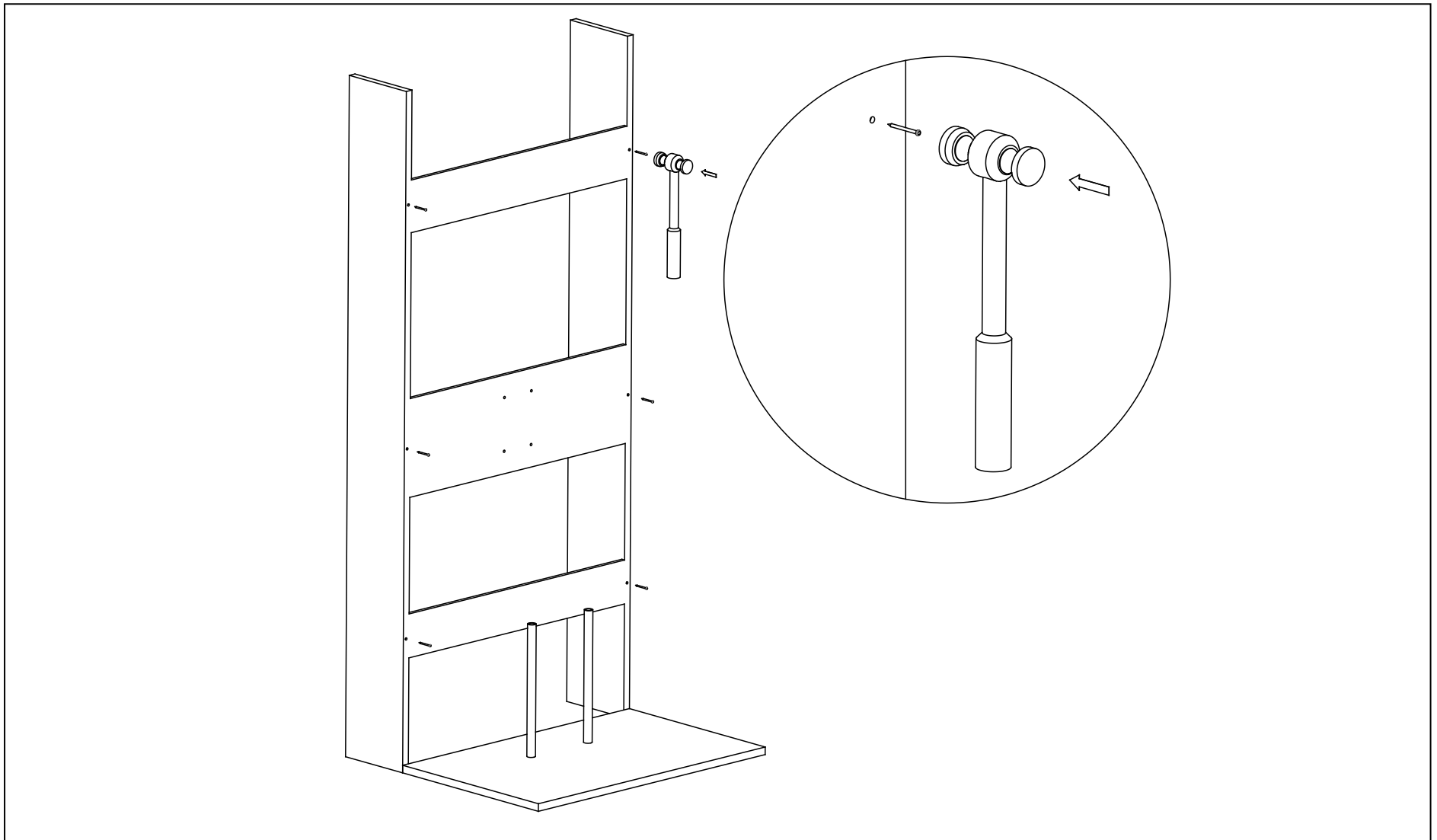
Operating pressure at the control valve:

Max. 1Mpa. Recommended operating pressure: 3 bar pressure.

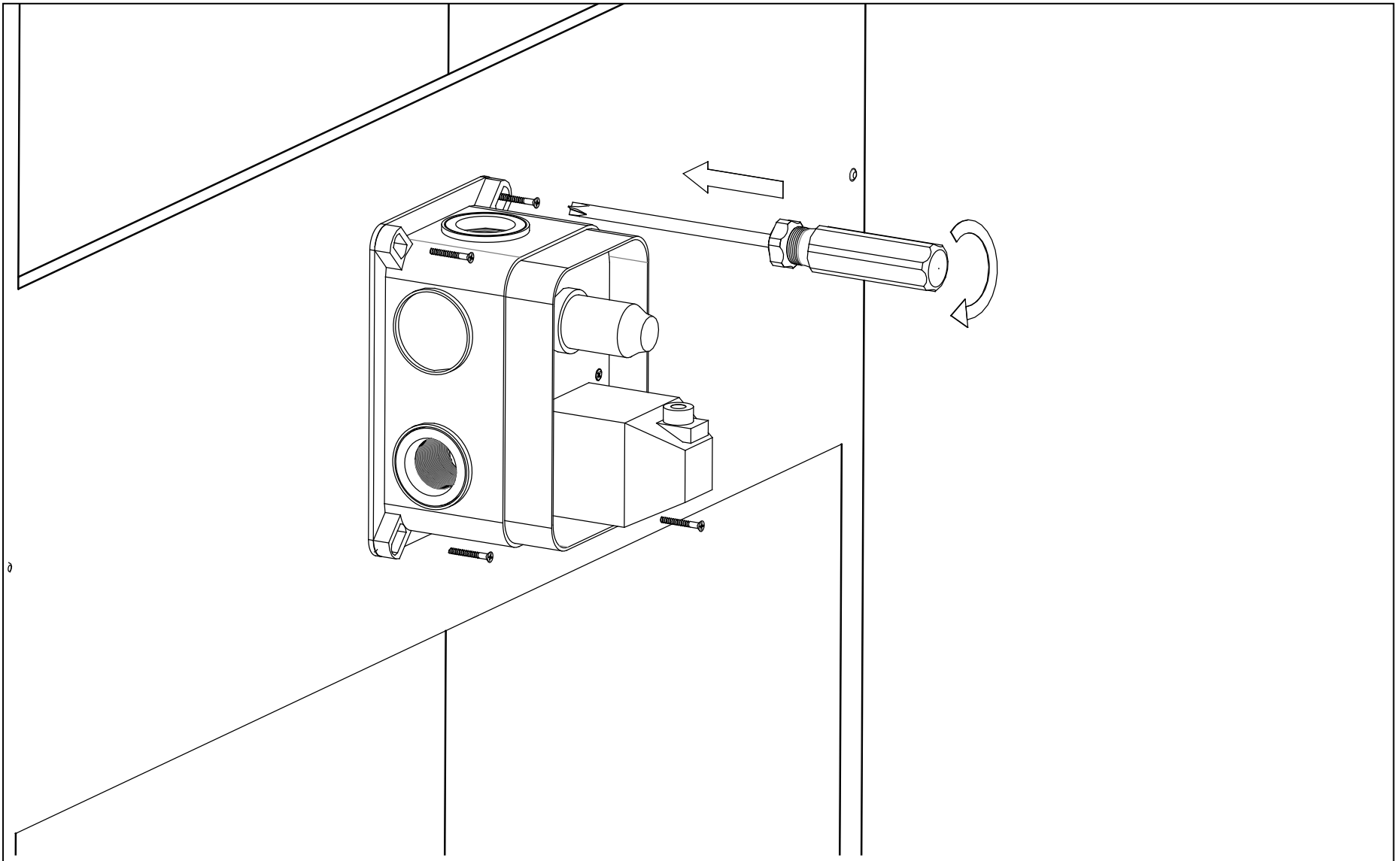
Hot water temperature: Max 60 degree centigrade (140 Fahrenheit).

## 5. CONCEALED BOX ASSEMBLY INSTALLATION

5.1 Make a mounting rack (normally use woods as materials) for preparing install the concealed box assembly .the mounting board's face should be Min 63mm[2-15/32"] and Max 85mm[3-11/32"] behind the finish wall surface.

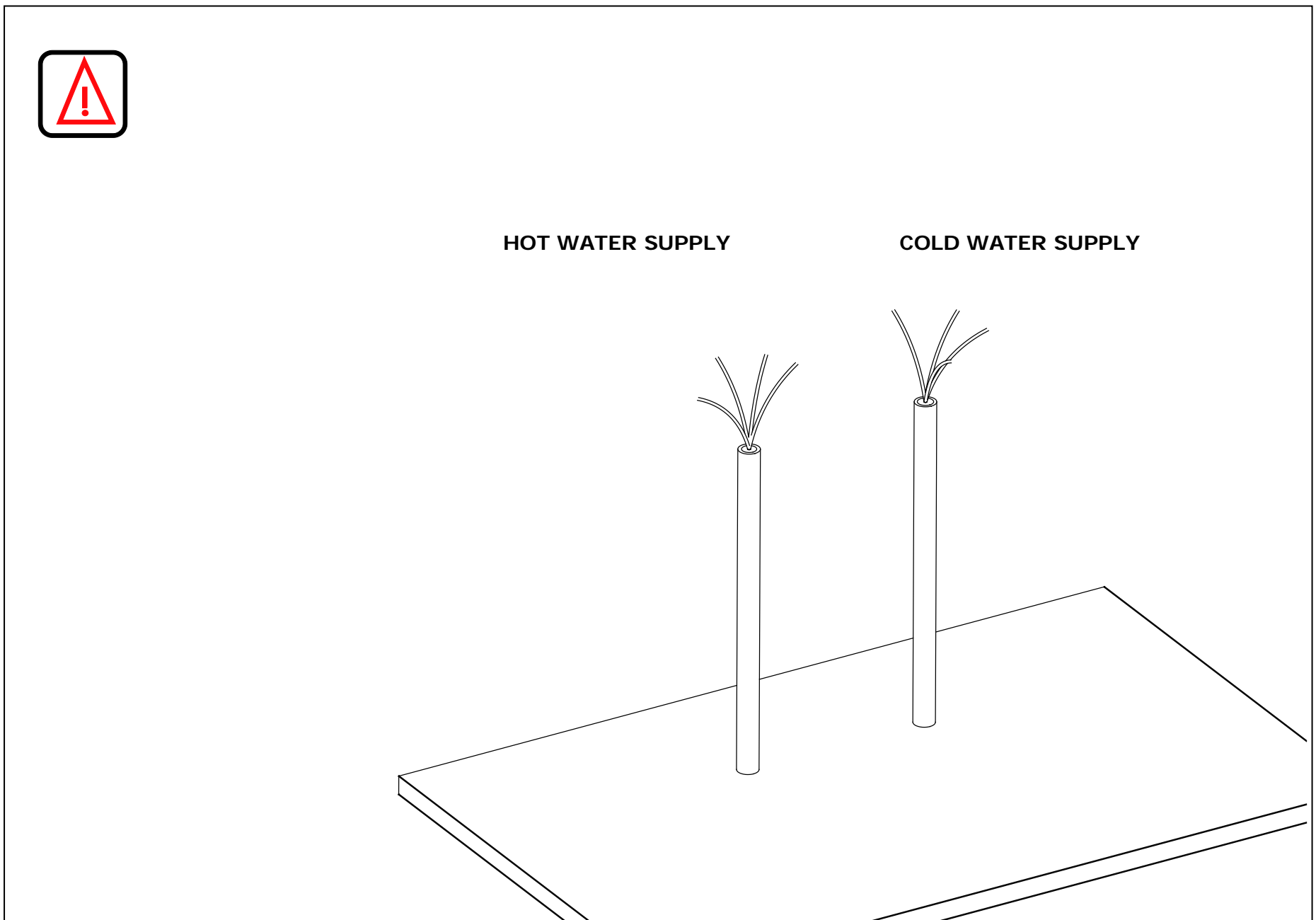


5.2 Secure the concealed box assembly to the mounting rack with screws and anchor.



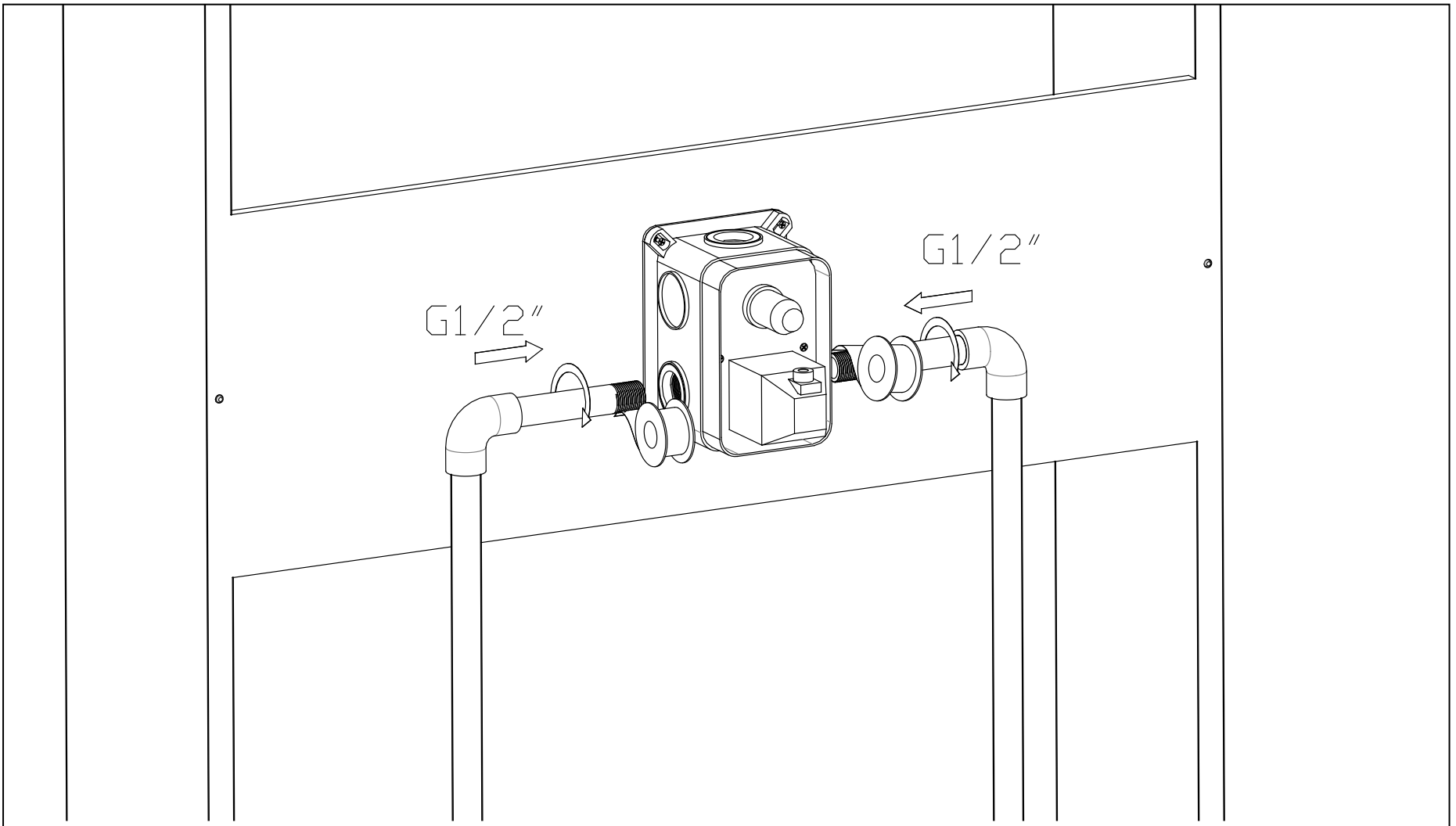
## 6. VALVE TRIM INSTALLATION

6.1 Turn on your shut-off valve for cleaning the hot and cold water supply pipe before connect to the valve body, allow the water flush 3~5 minutes to flush out dirt and debris. Shut off the water supply again after finish.

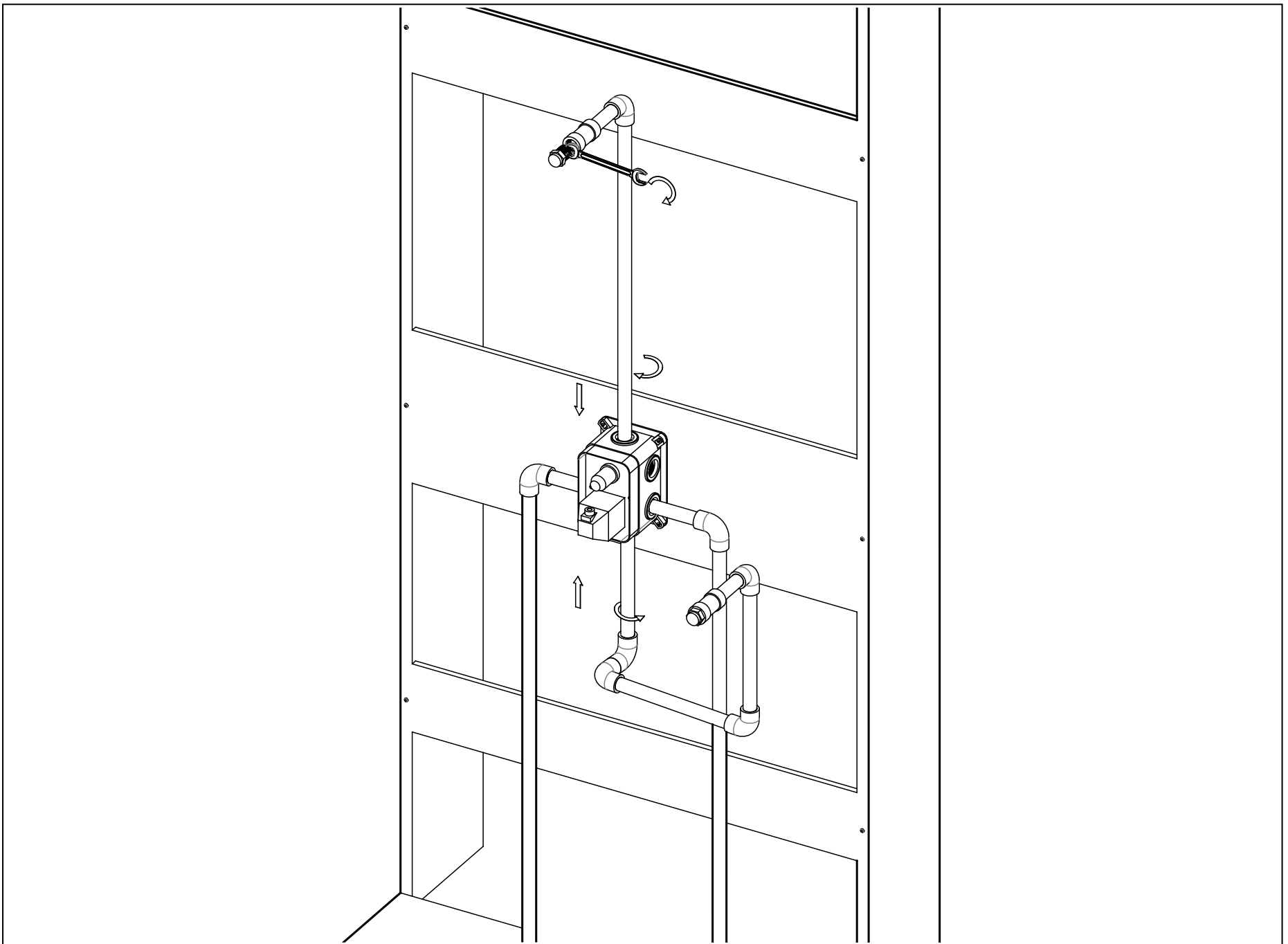


6.2 Apply Teflon tape on the thread of pipe inlet and then connect to valve inlet with elbow [hot left, cold right].

Mixer Valve Connecting thread for Hot&Cold water inlet: G1/2" [1/2 BSPP], US, CA customers may require NPT cover to BSPP adapter for connecting.



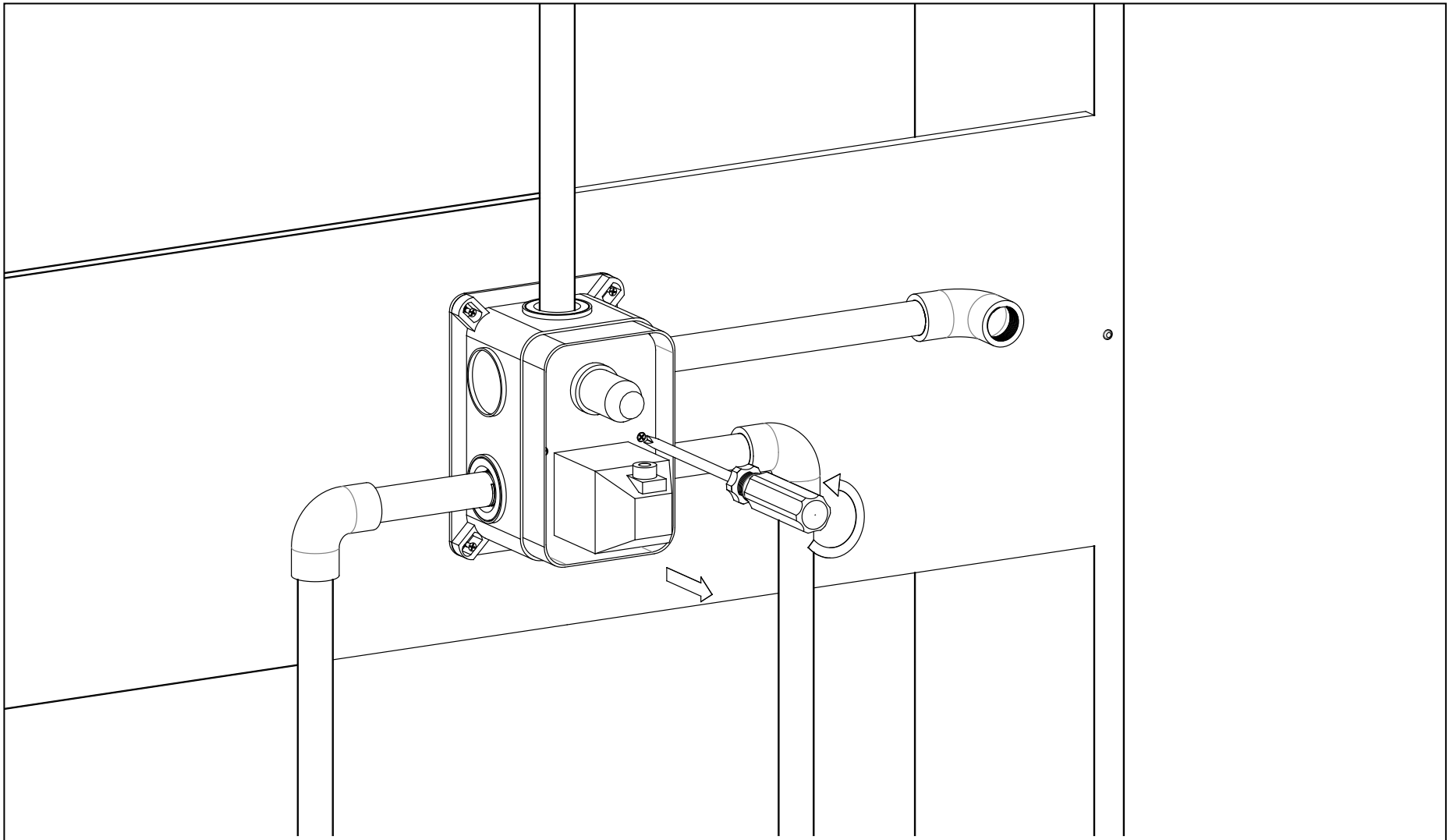
Connect to valve outlet with elbow:



6.3 Remove the valve sleeve by Phillips screwdriver. Turn on hot and cold water supply and check all connection for leaks



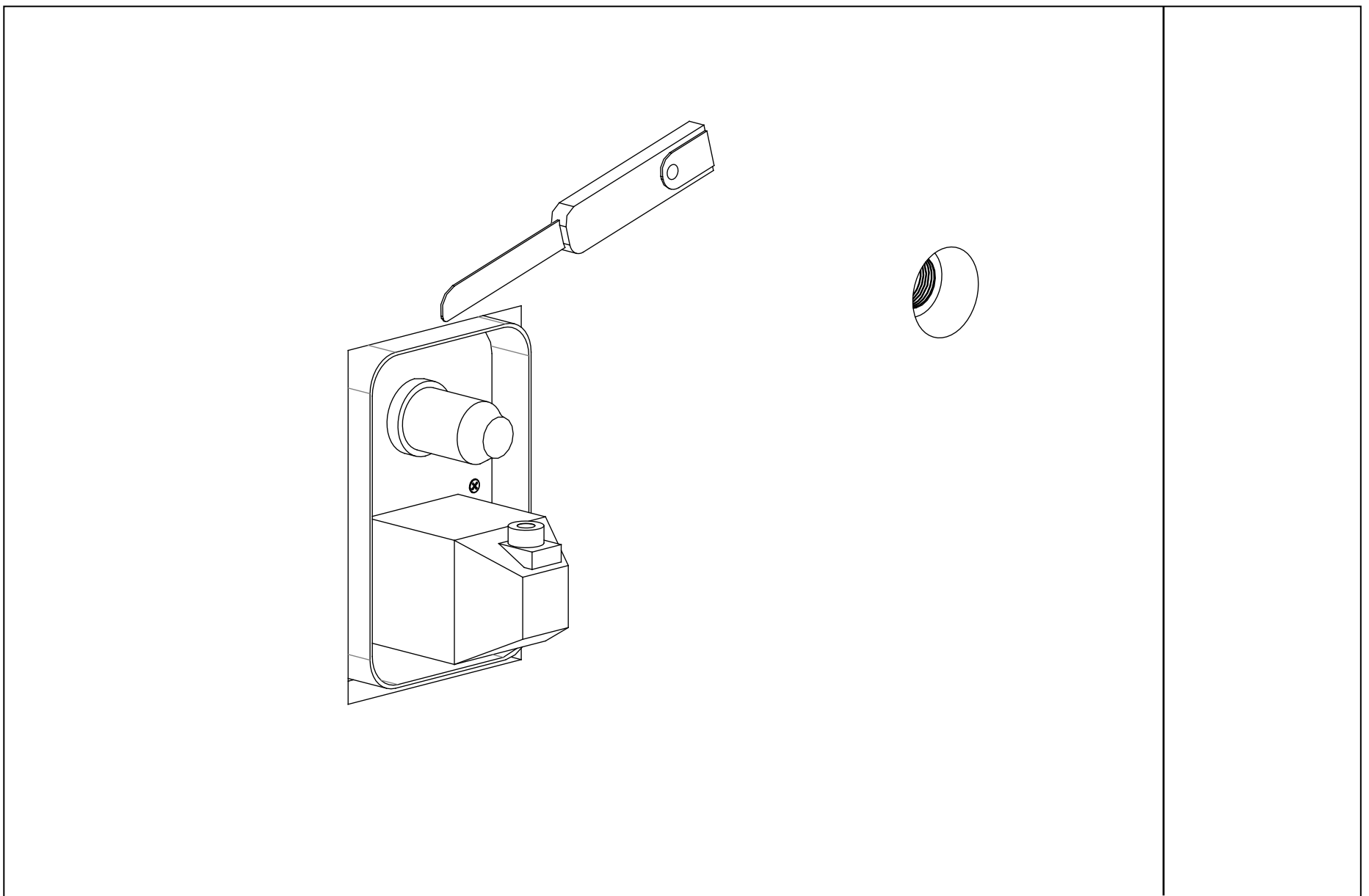
Please shut off your hot and cold water supply again if no leaking.

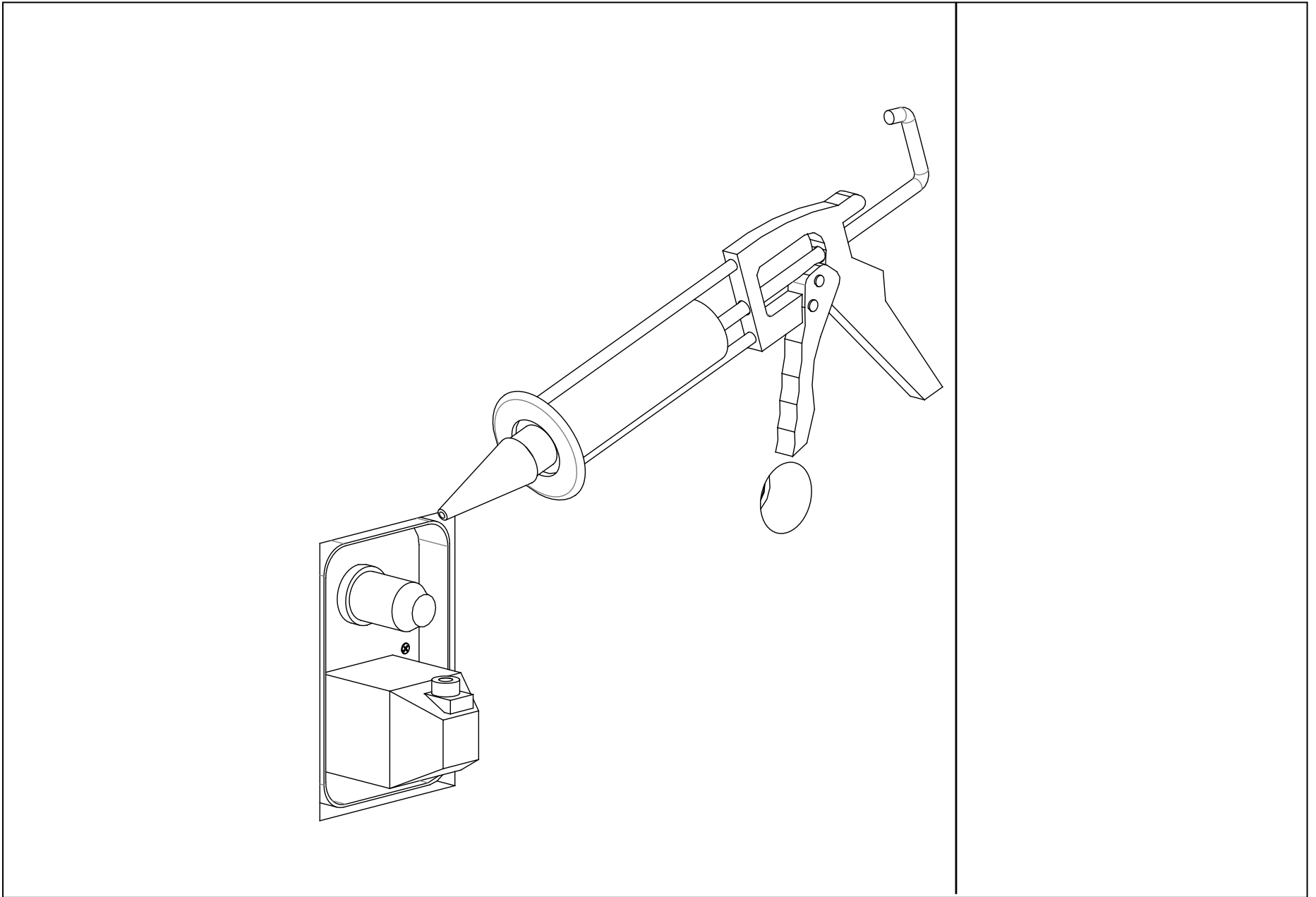


6.4 Drill the mounting holes exactly according to mixer valve and elbow position, done the finish wall. Cut the plaster shield around the finish wall surface and seal the wall around the plaster shield with waterproof sealant

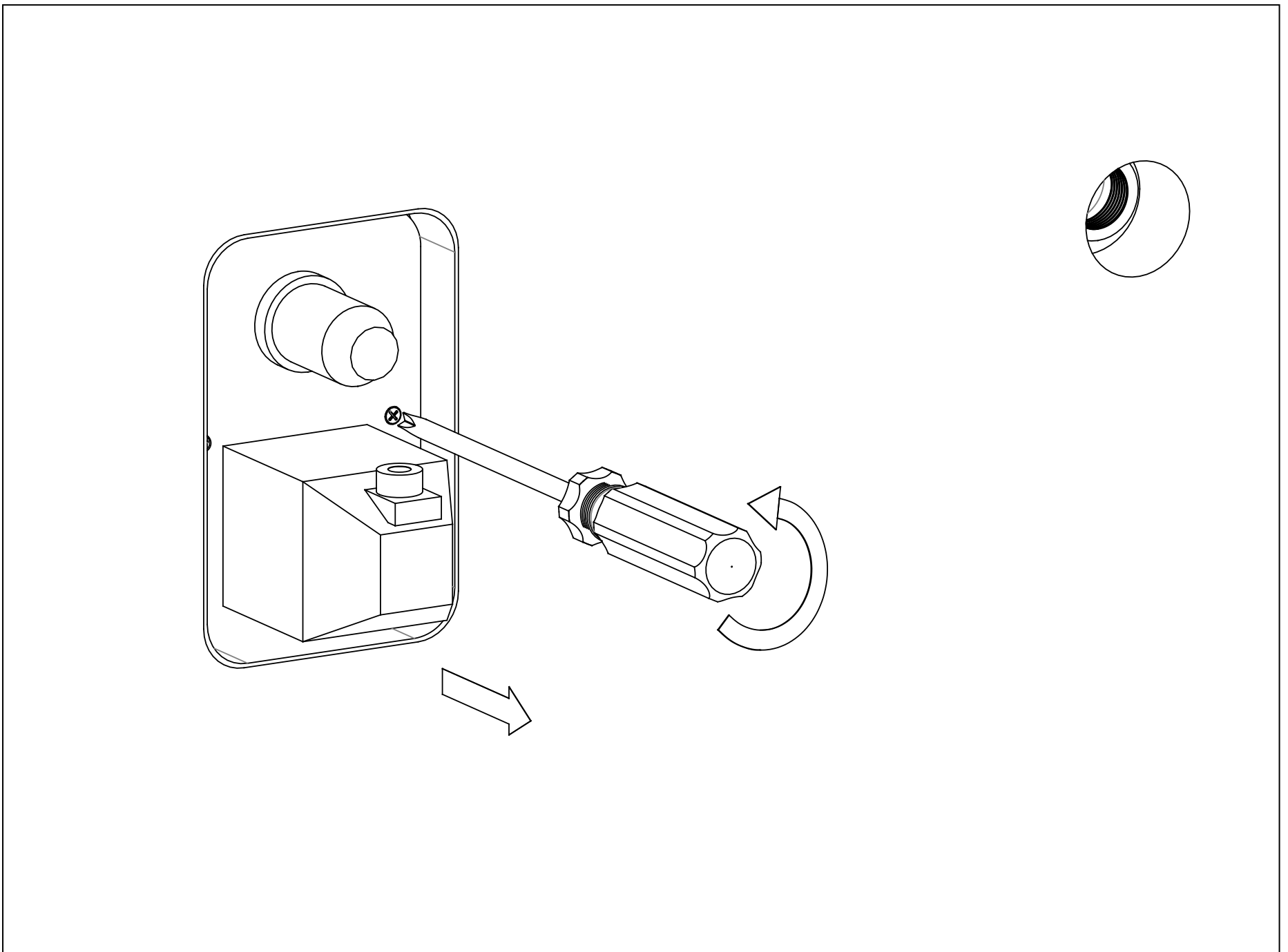


**WARNING:** Failure to seal the wall can lead to possible water damage.

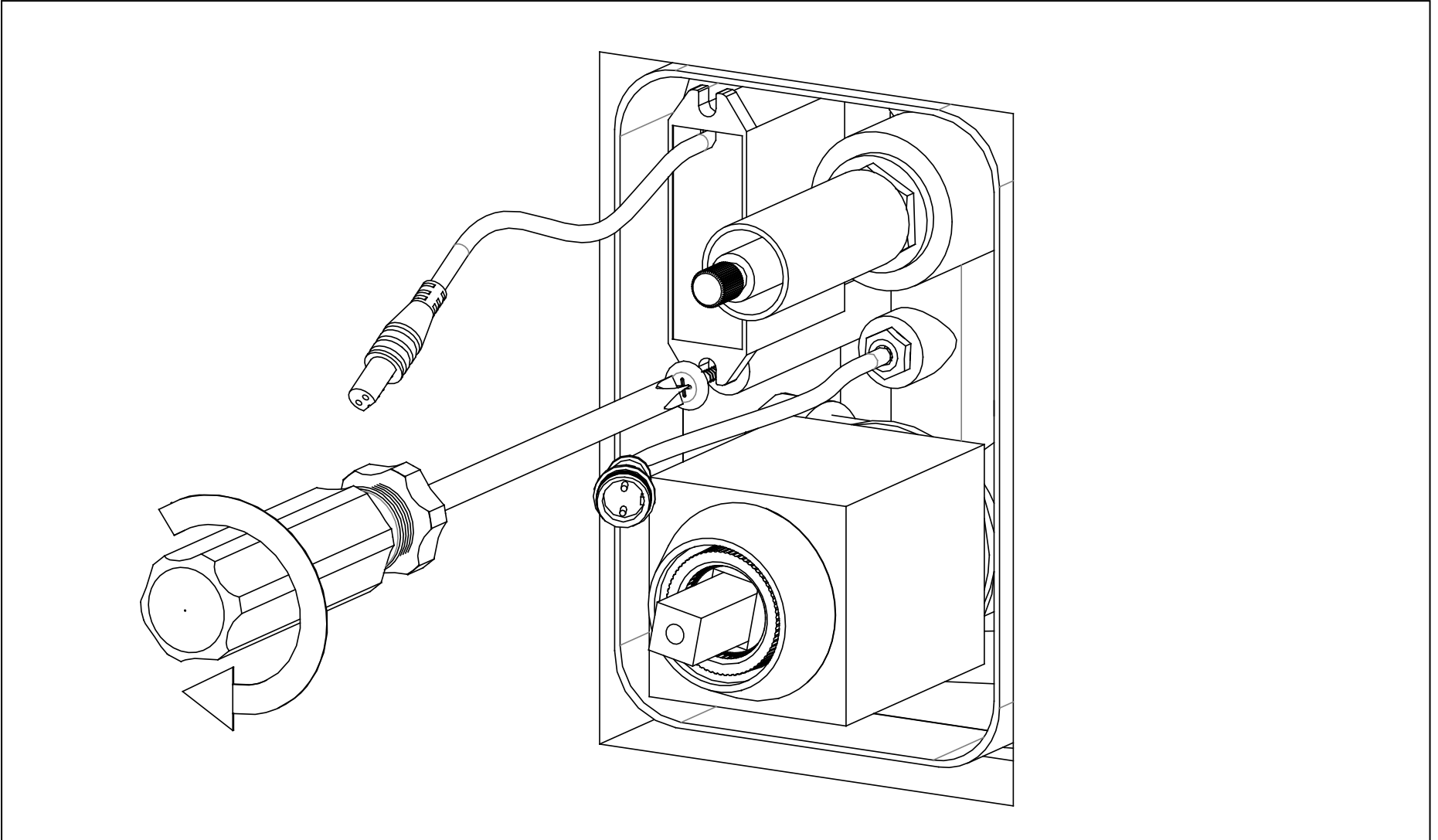




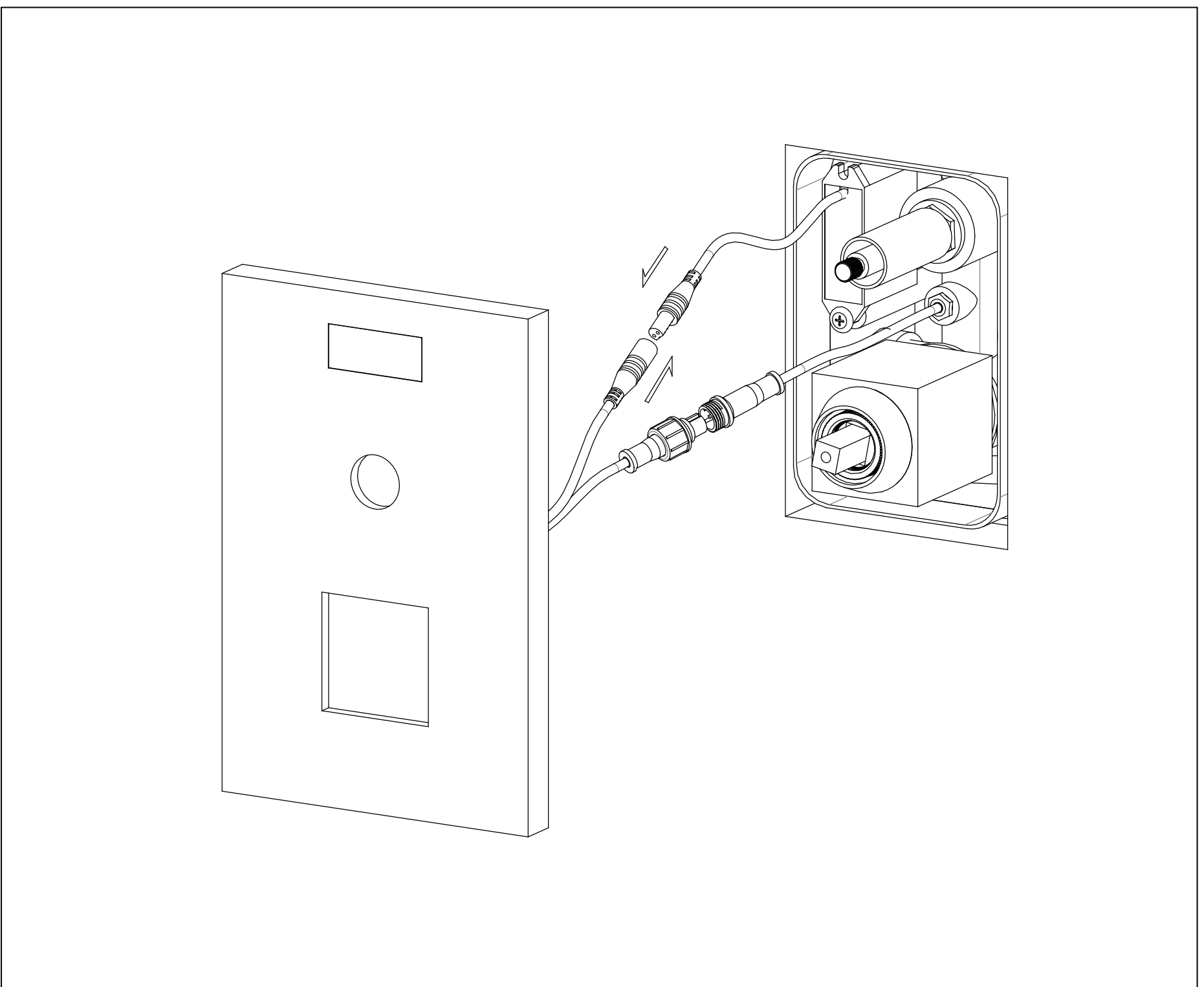
6.5 Remove the valve sleeve by Phillips screwdriver and hold the screw for next step (fastening battery box).




6.6 Attach the battery to the concealed box and fasten with screw.

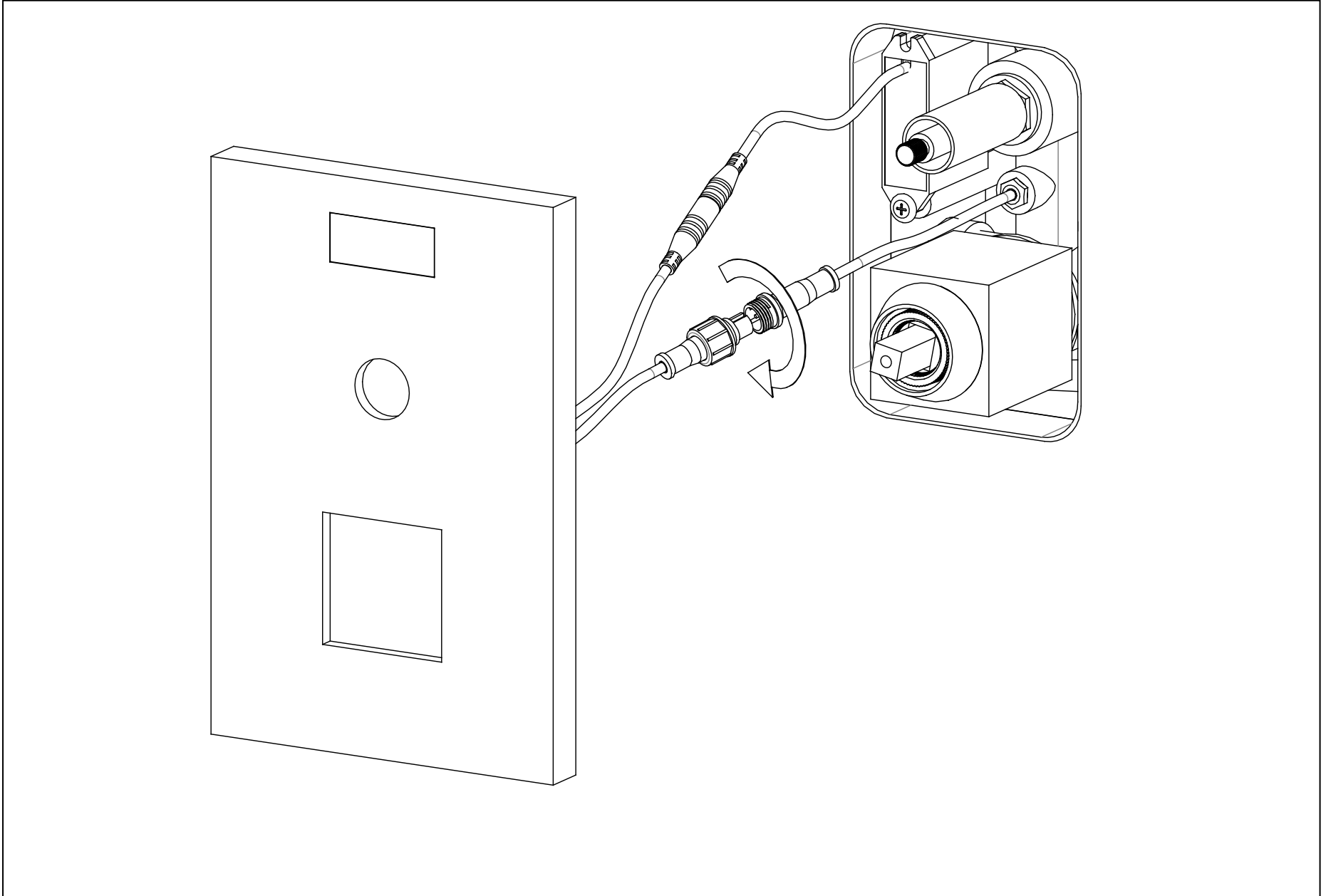


6.7 Connect the battery's power wire to the circuit board for power supplying.

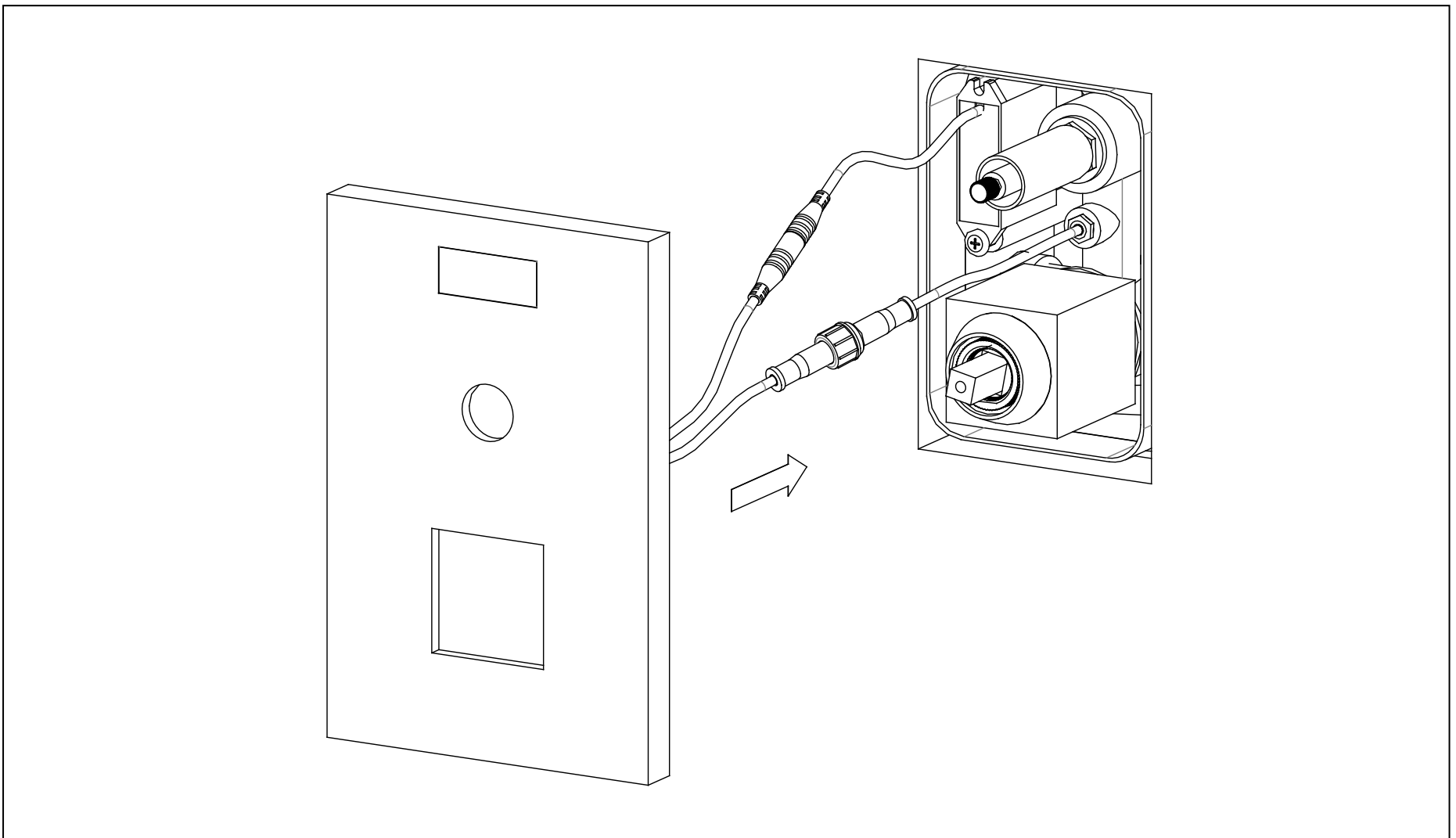


**6.8** Connect and secure the temperature sensor's data wire to the circuit board for inspecting mixing water's temperature. The LCD display module starts to running and display current temperature of valve body, If Error code display, please referring to below error code define or contact SUMERAIN service support center [supports@sumerain.com](mailto:supports@sumerain.com) :  
Error code "E10" display indicate Sensor open circuit or temperature value less than 1 °C [33.8 °F]  
Error code "E20" display indicate sensor short circuit or temperature value more than 99 °C [210.2 °F]  
Error code "E30" display indicate original authorization Invalid

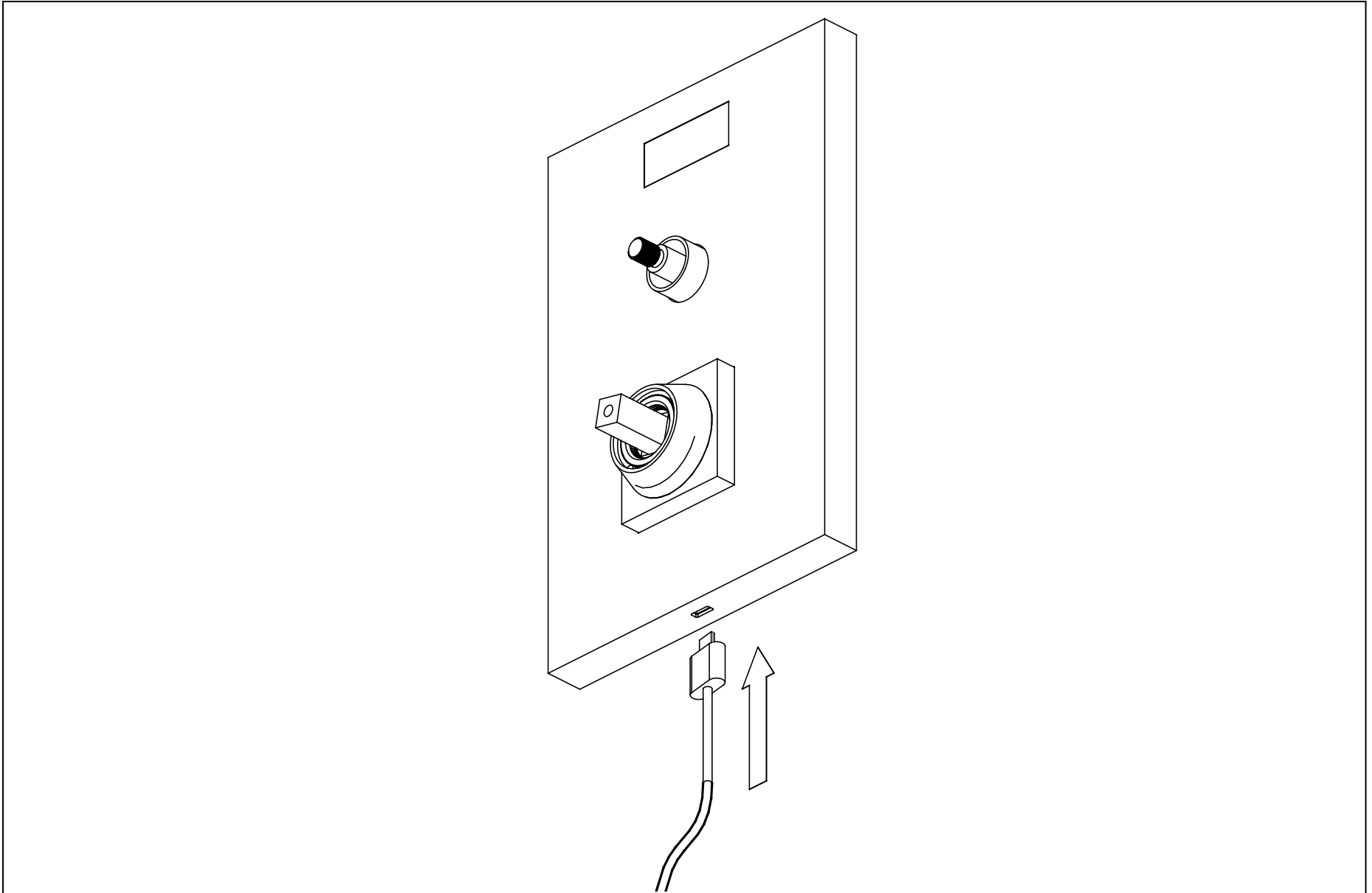
 **WARNING:** Failure to secure the sensor's connector might generate incorrect water temperature value.



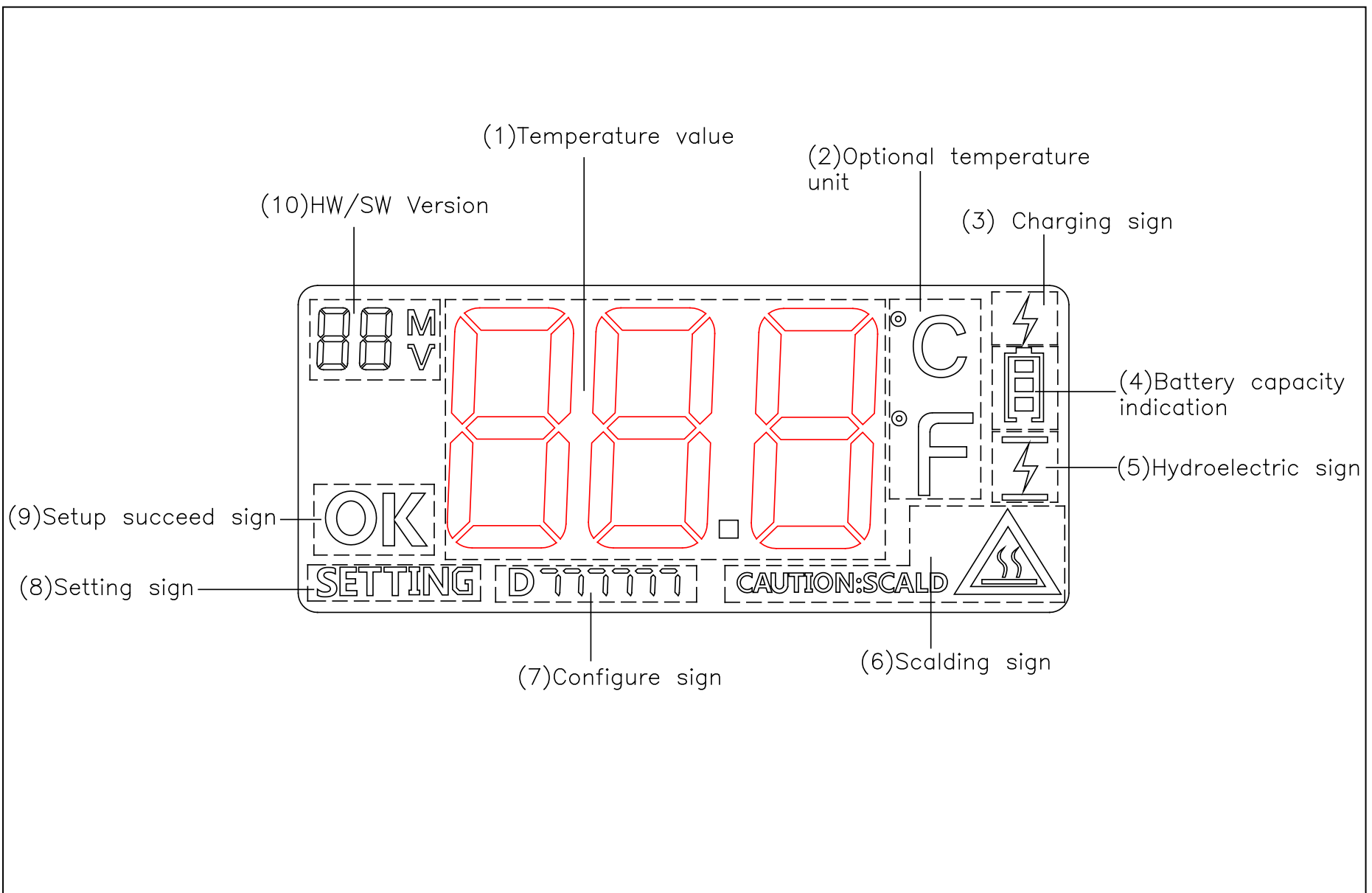
**6.9** Trim the power wire and sensor wire for hiding into the concealed box and then attach the escutcheon over the valve body.



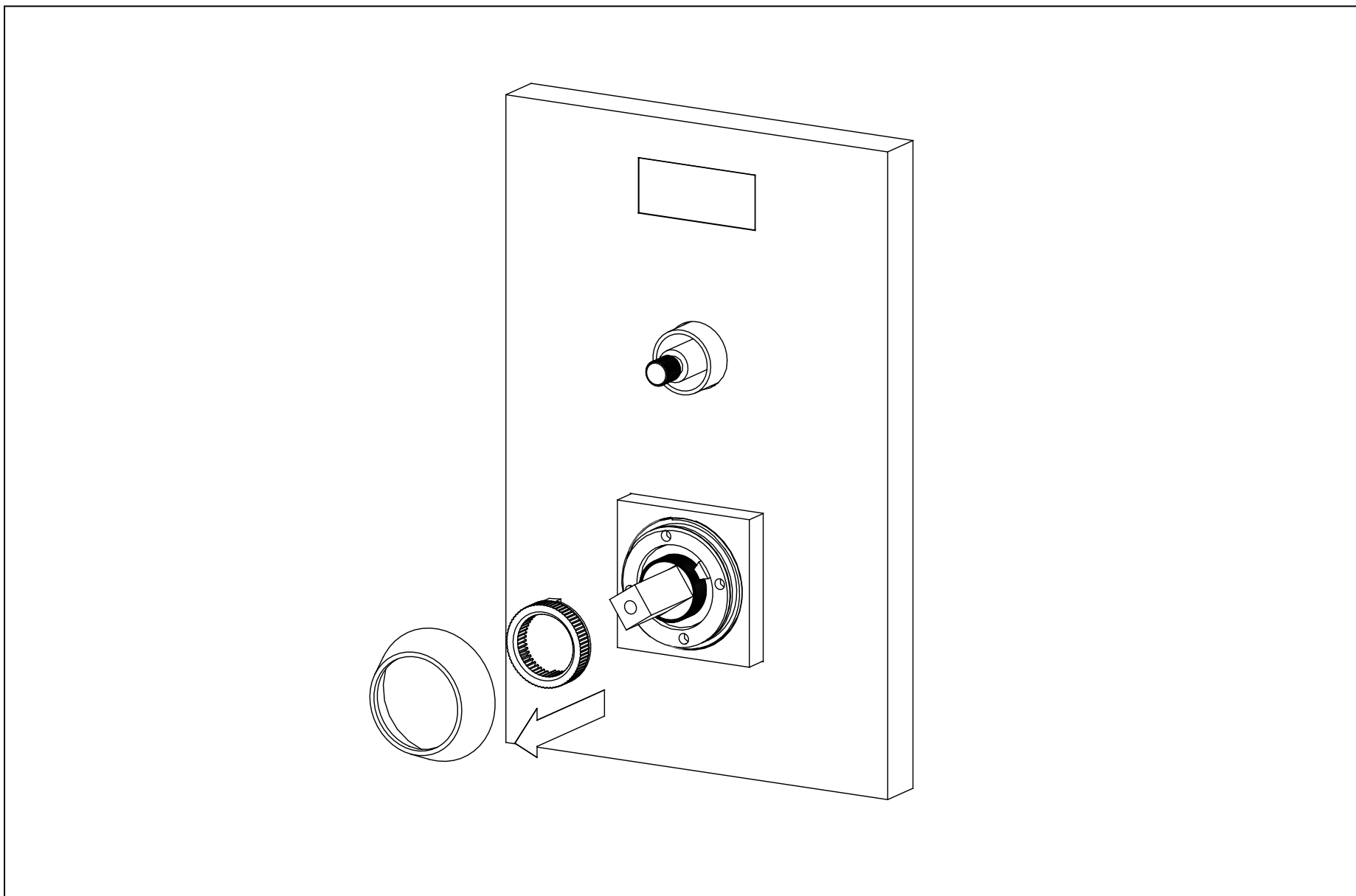
**6.10** Battery charging inspects. Please make sure the charging sign (3) active on LCD screen when connect to AC/DC USB recharger which have been plugged.



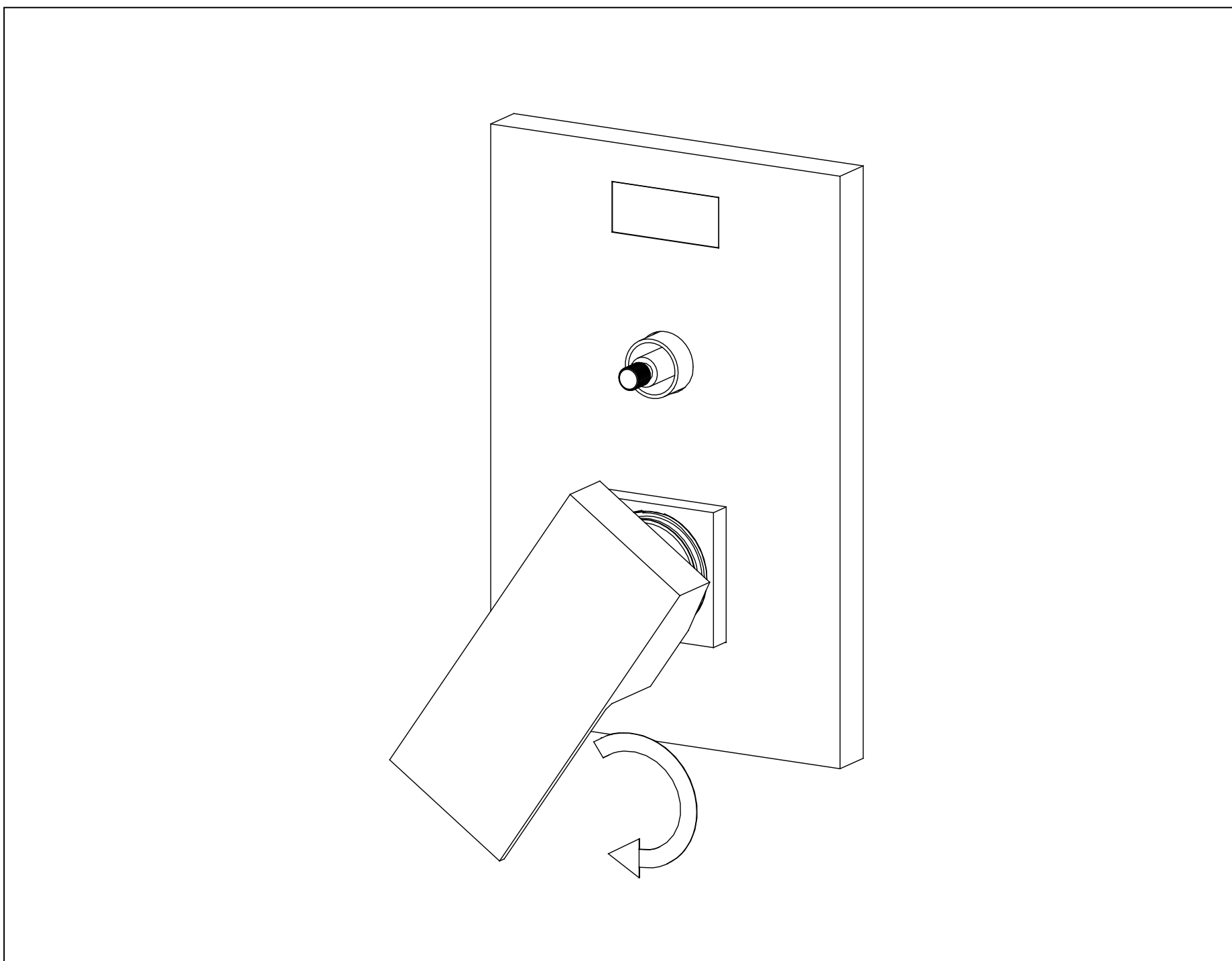
**LCD SCREEN DEFINED**



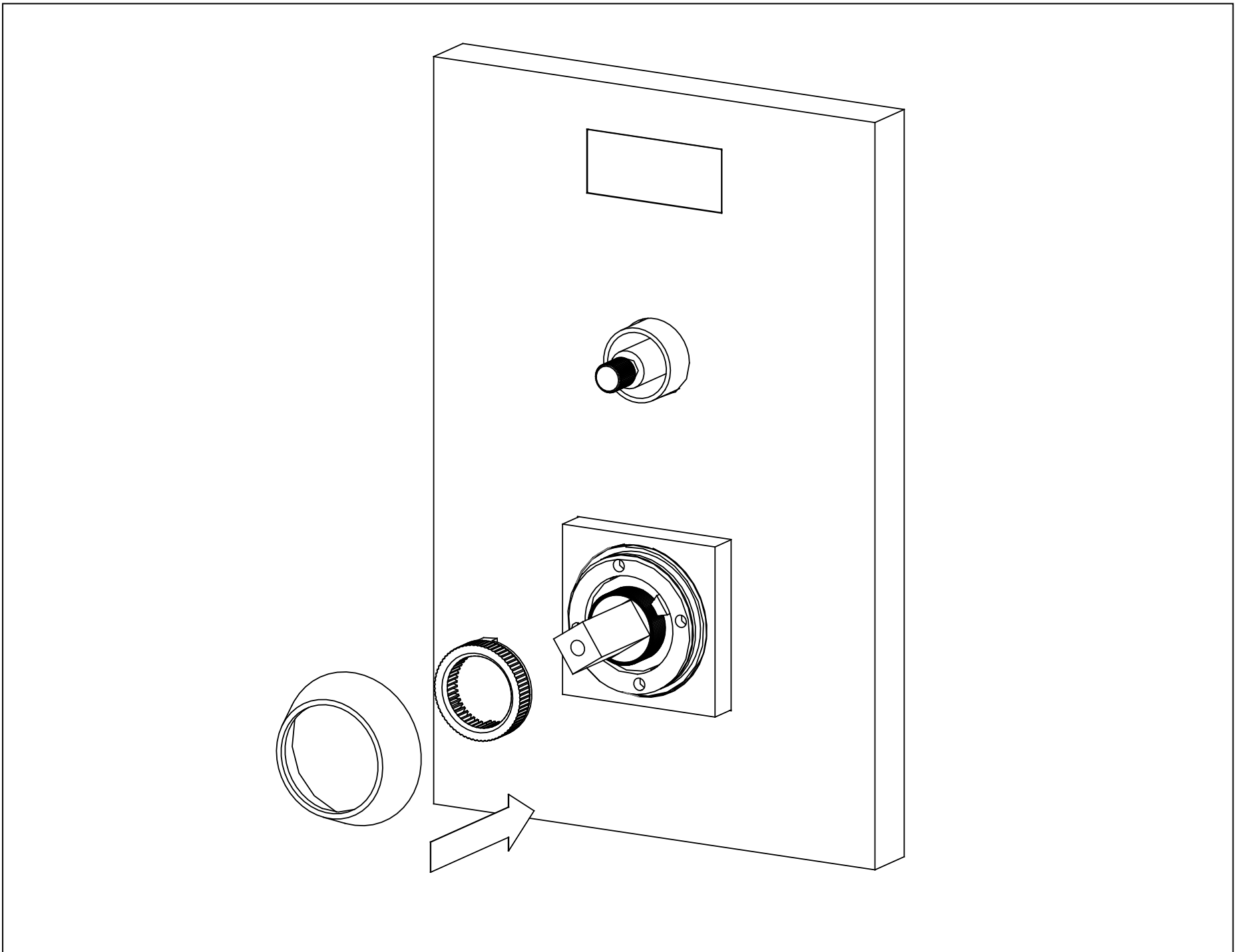
6.11 Take off the escutcheon and the temperature limit ring.



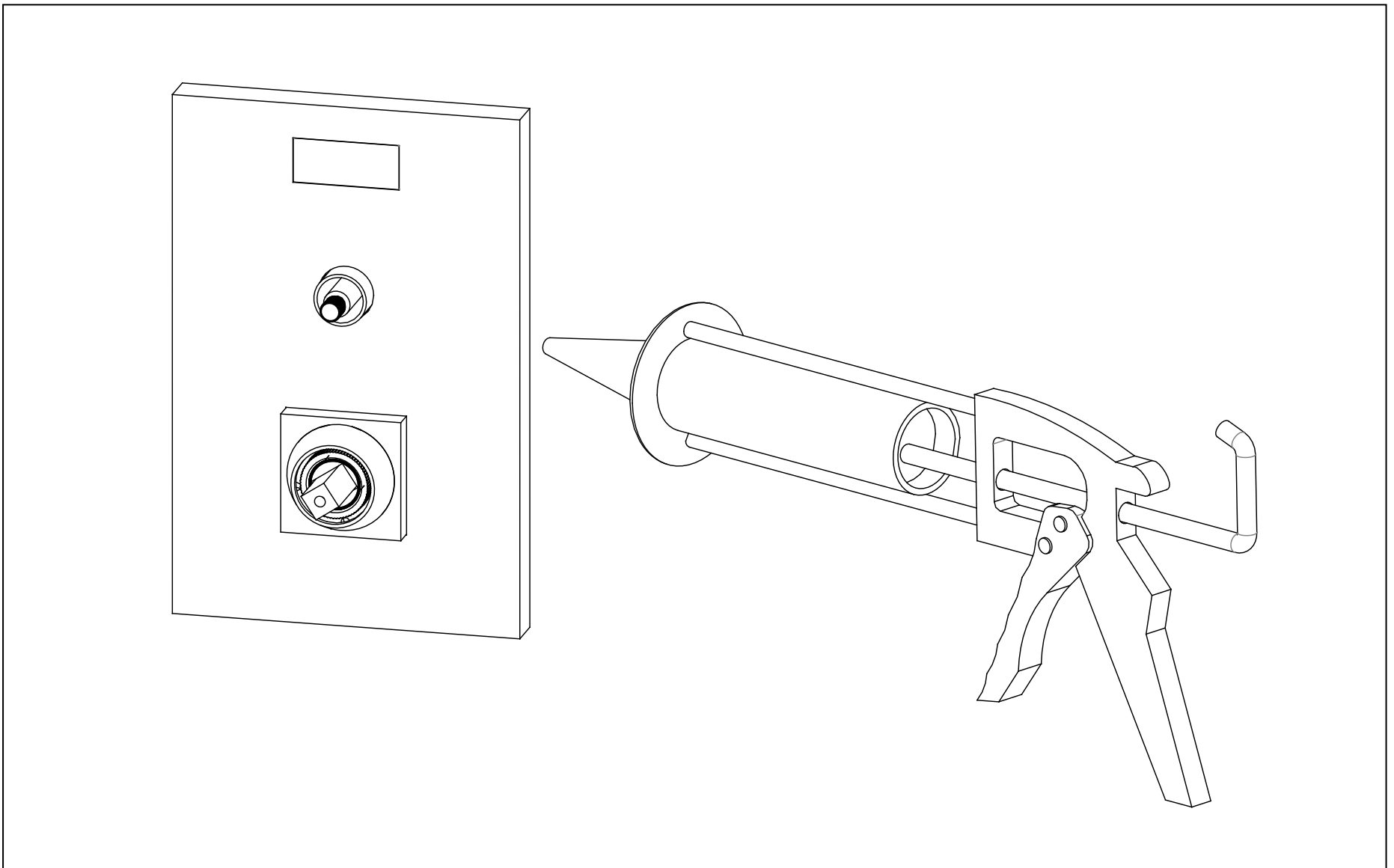
6.12 Turn on and adjusting the cartridge to achieve desired shower water's maximum temperature.



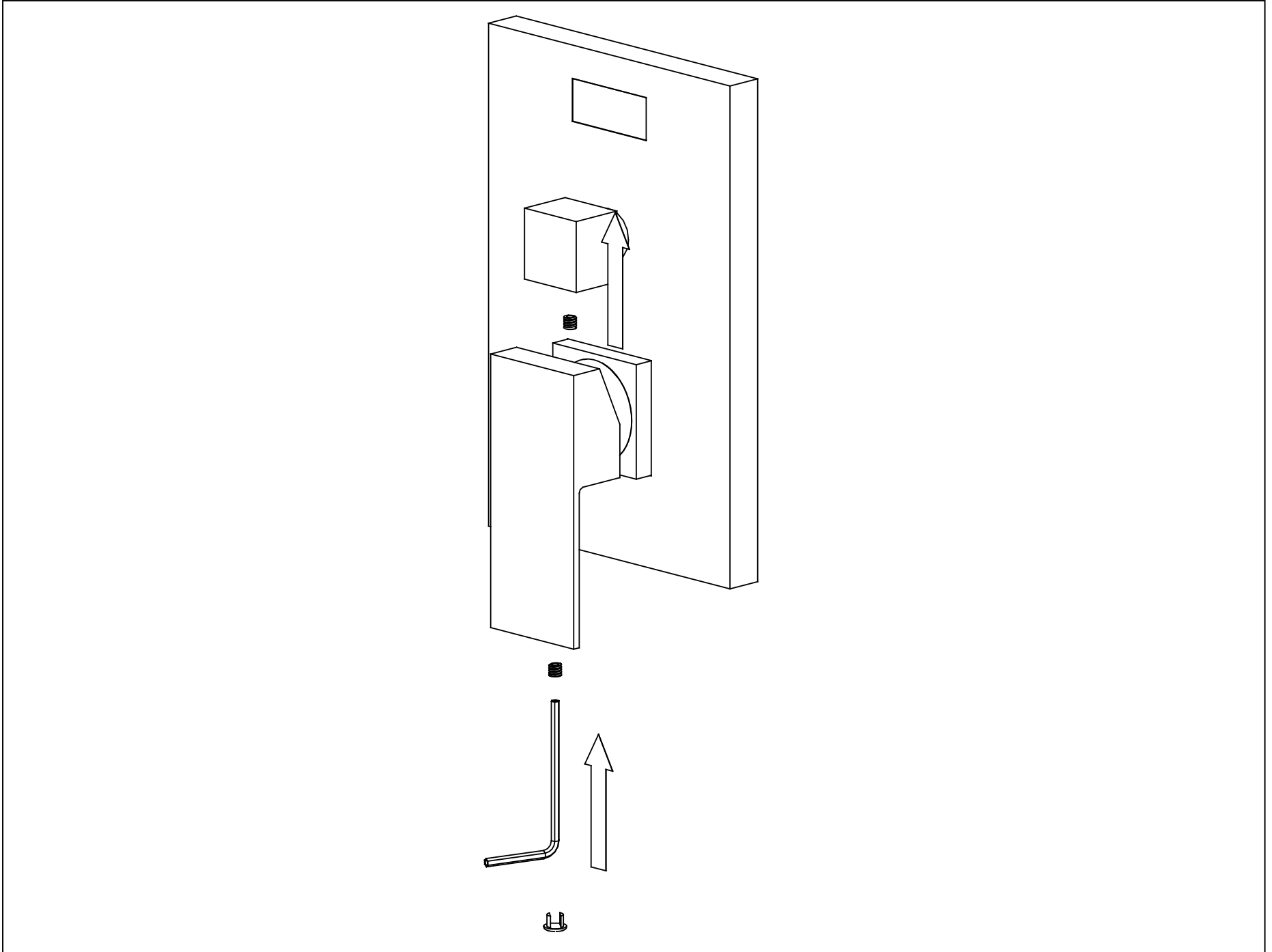
6.13 Attach the temperature limit ring to cartridge for locking the maximum temperature. Attach the escutcheon to the bonnet too.



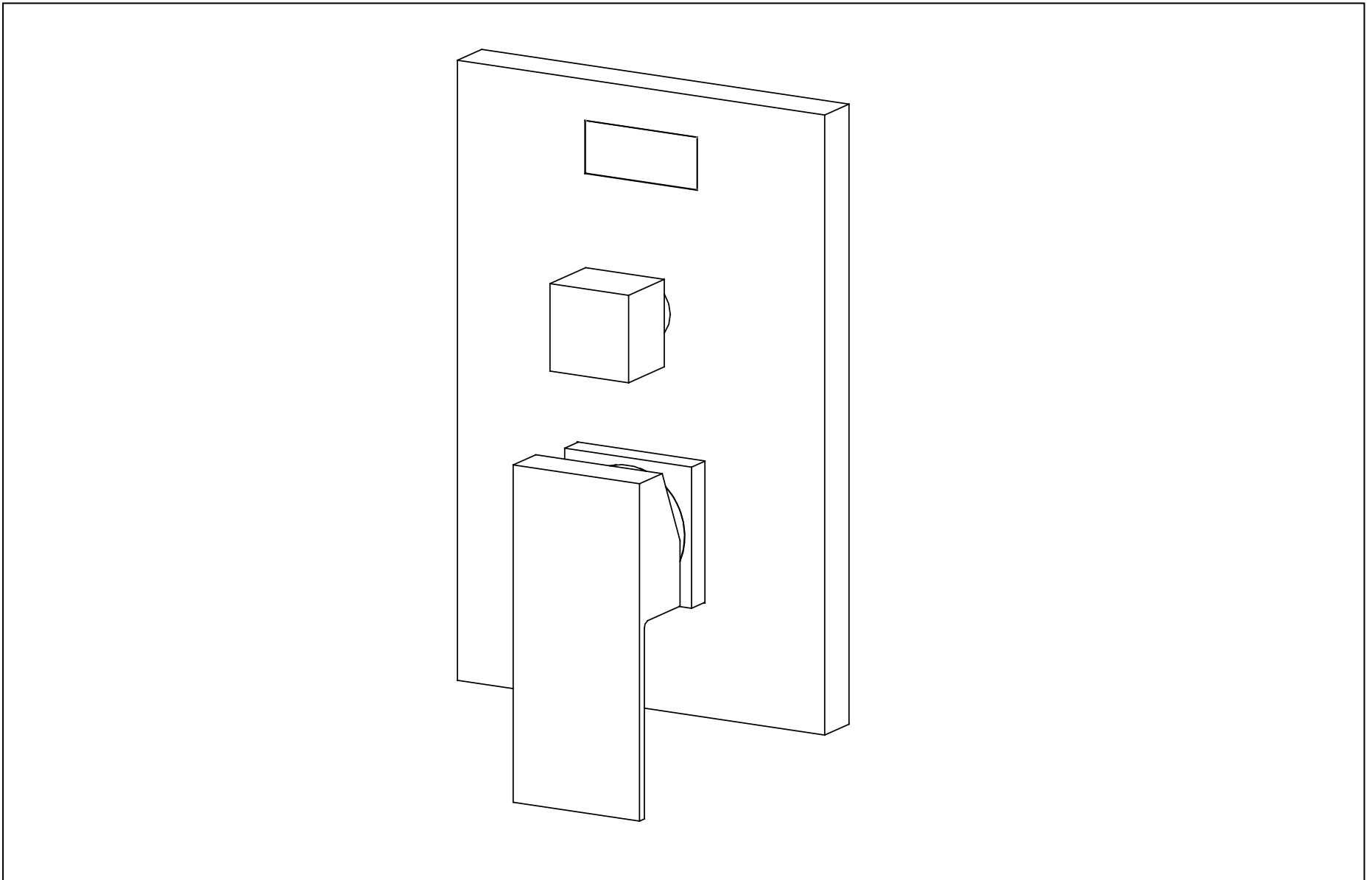
6.14 Seal the wall around the plaster shield with waterproof sealant



**6.15** Attach handle onto the valve stem and tighten set screws by the Allen wrench that is provided. Please don't over tighten. Done the same procedure on diverter knob. Finally press-in the screw cover.

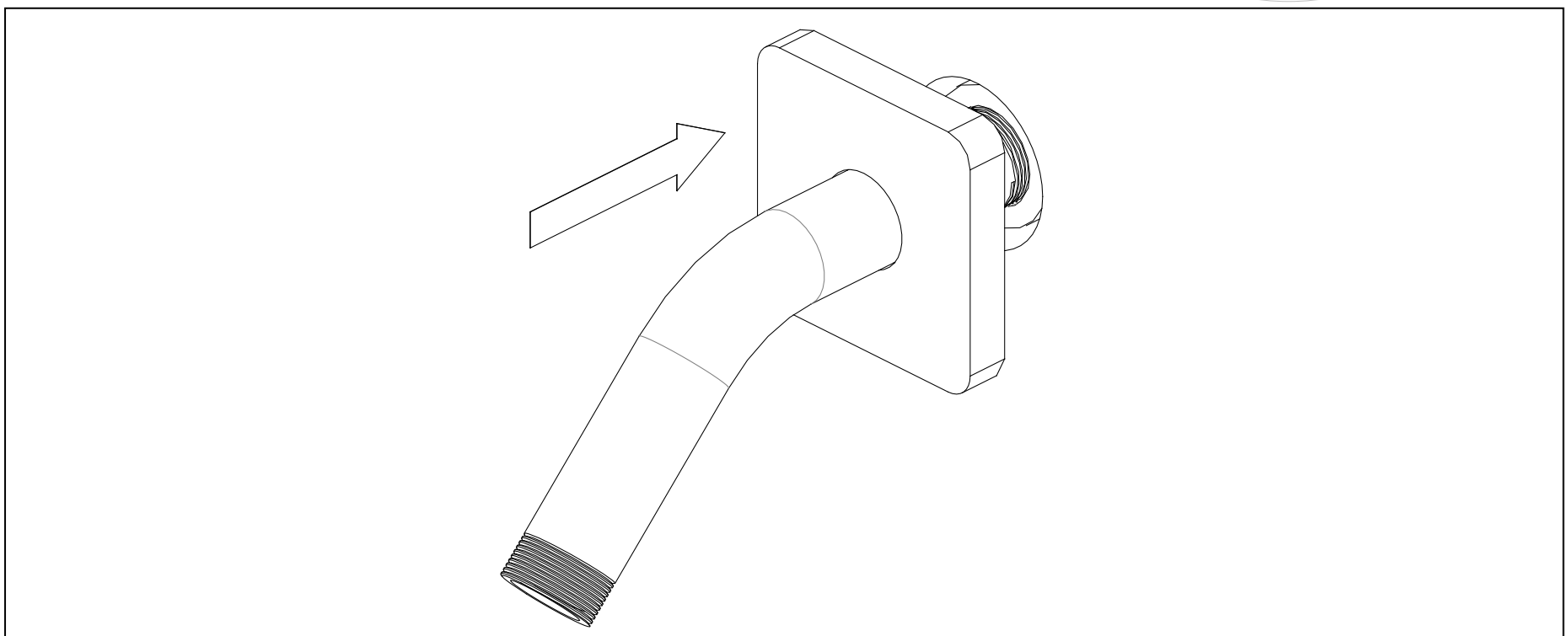
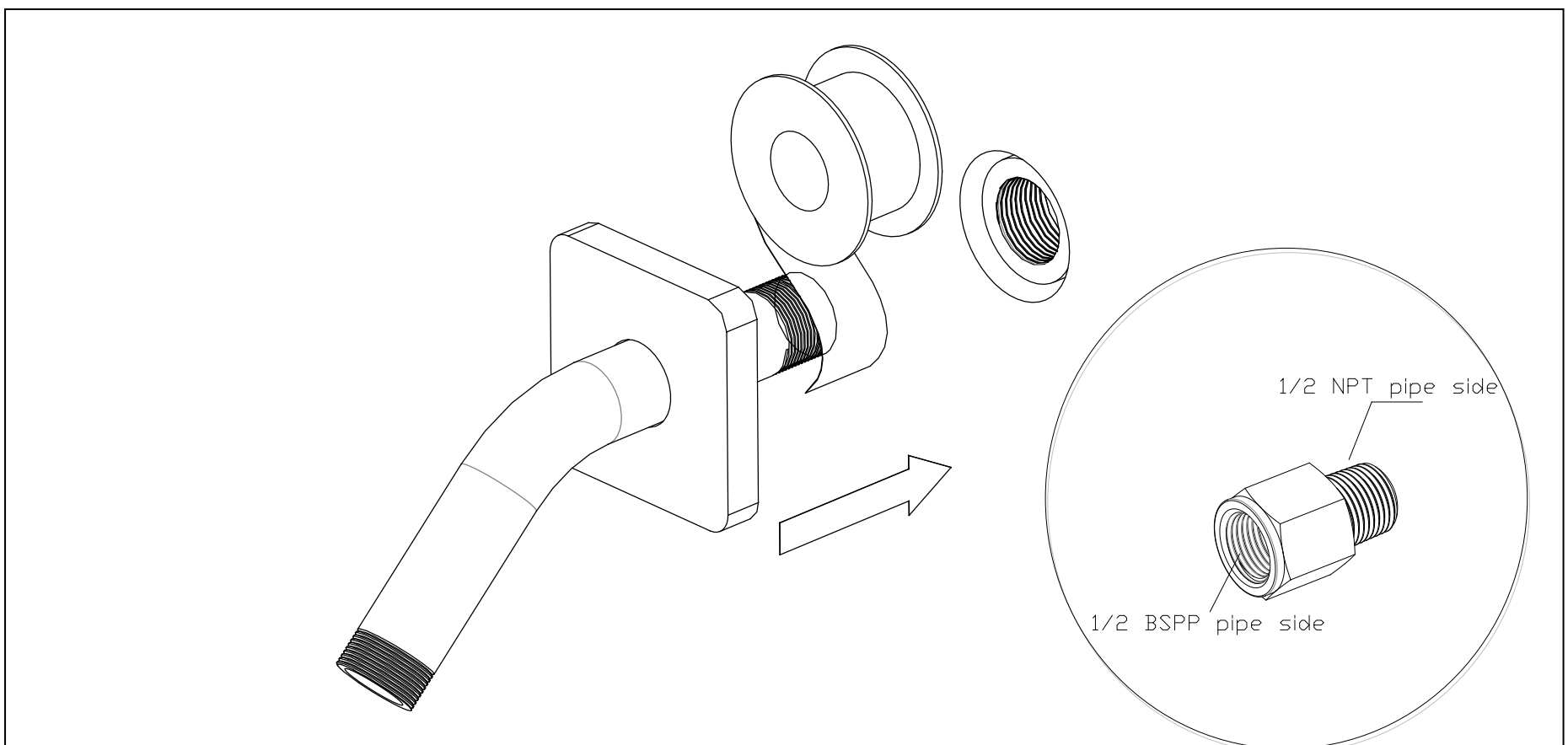
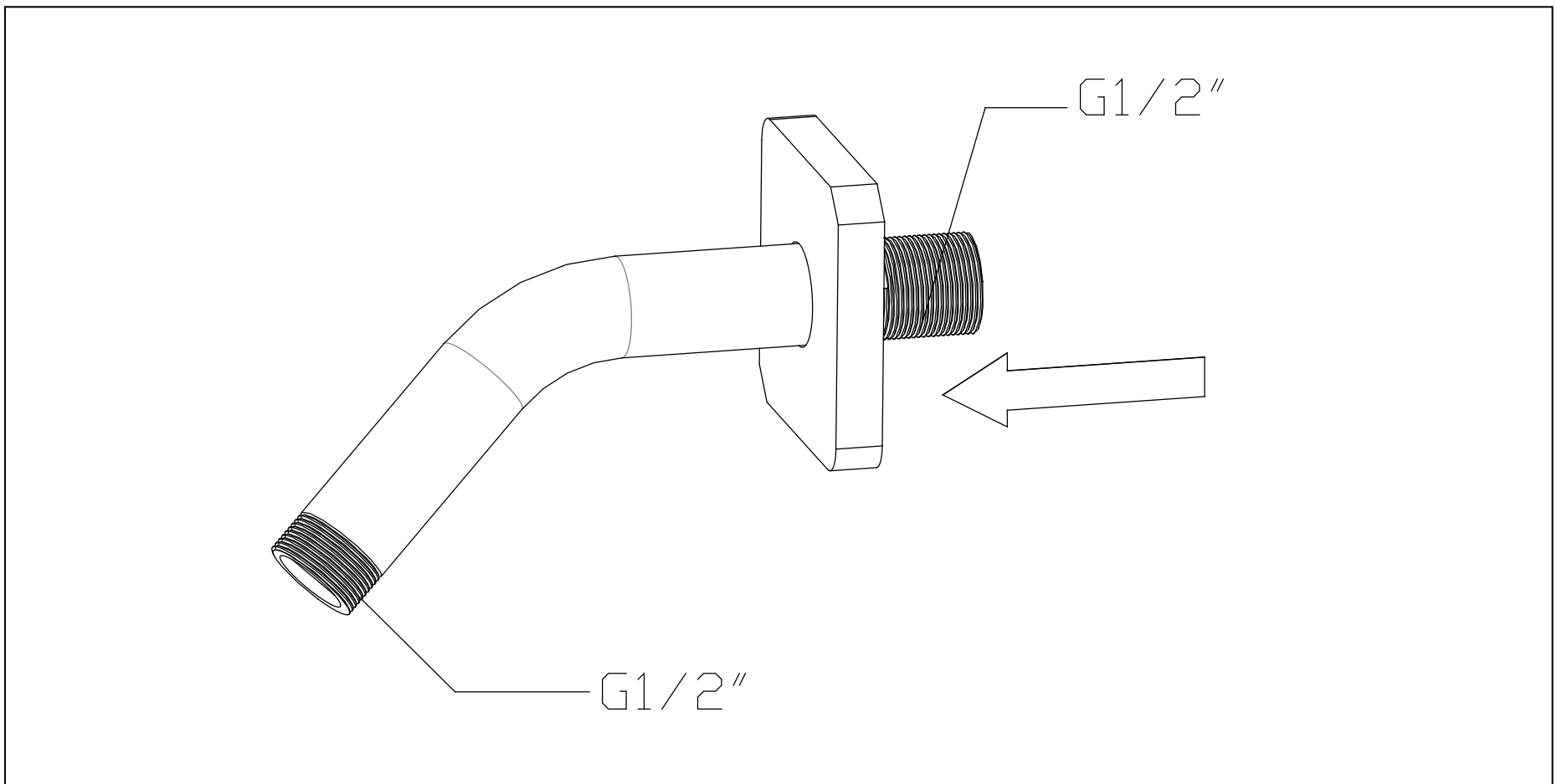


**6.16** Valve trim install finish.



## 7. SHOWERHEAD INSTALLATION

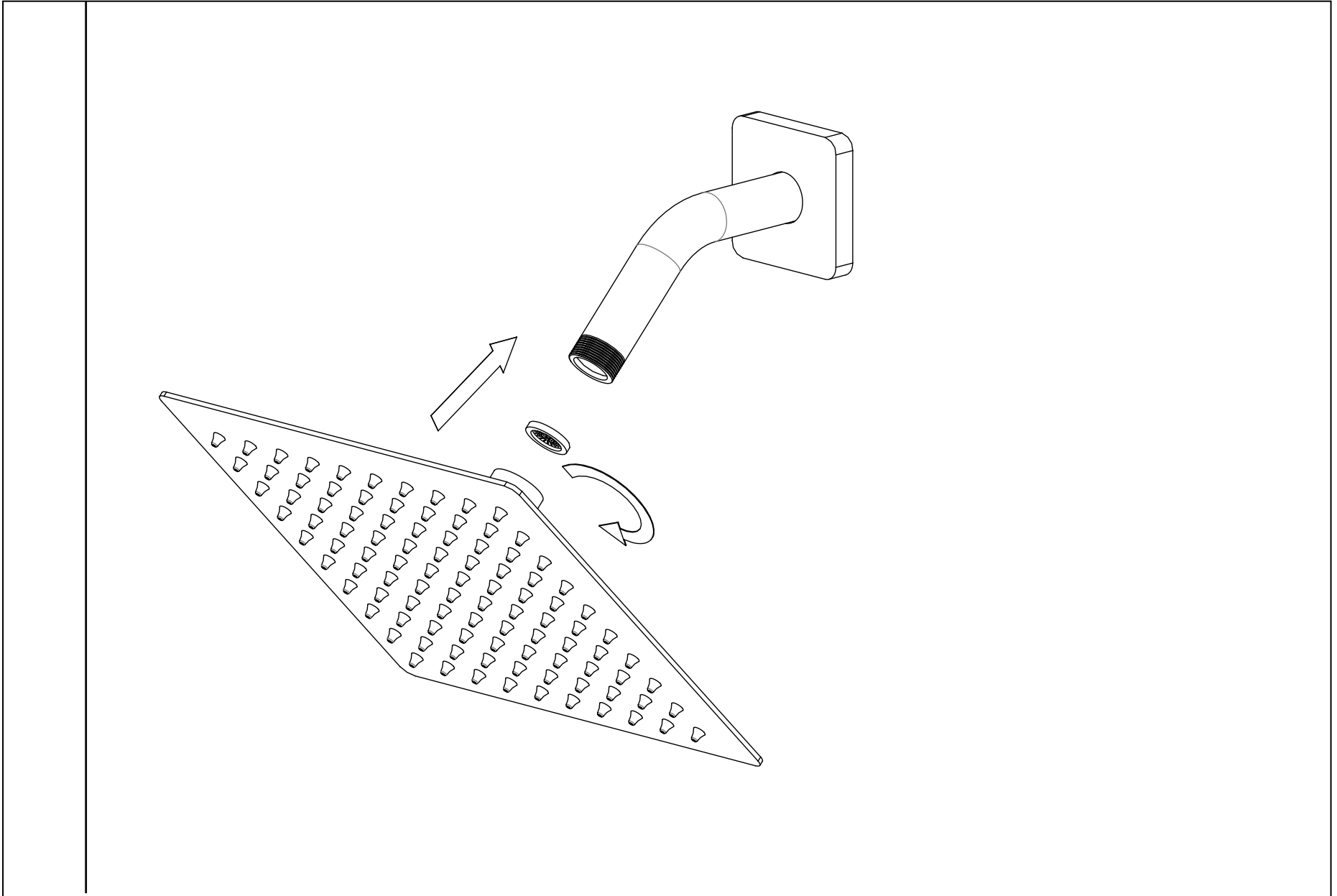
7.1 Attach Shower arm escutcheon to the shower arm and apply Teflon tape on the thread of shower arm, Secure the shower arm into the pipe elbow inside the wall by rotating clockwise. US, CA customers may require NPT cover to BSPP adapter for connecting.



7.2 Put the screen washer into the connector of showerhead and secure the showerhead on the shower head arm by hand rotating anticlockwise.



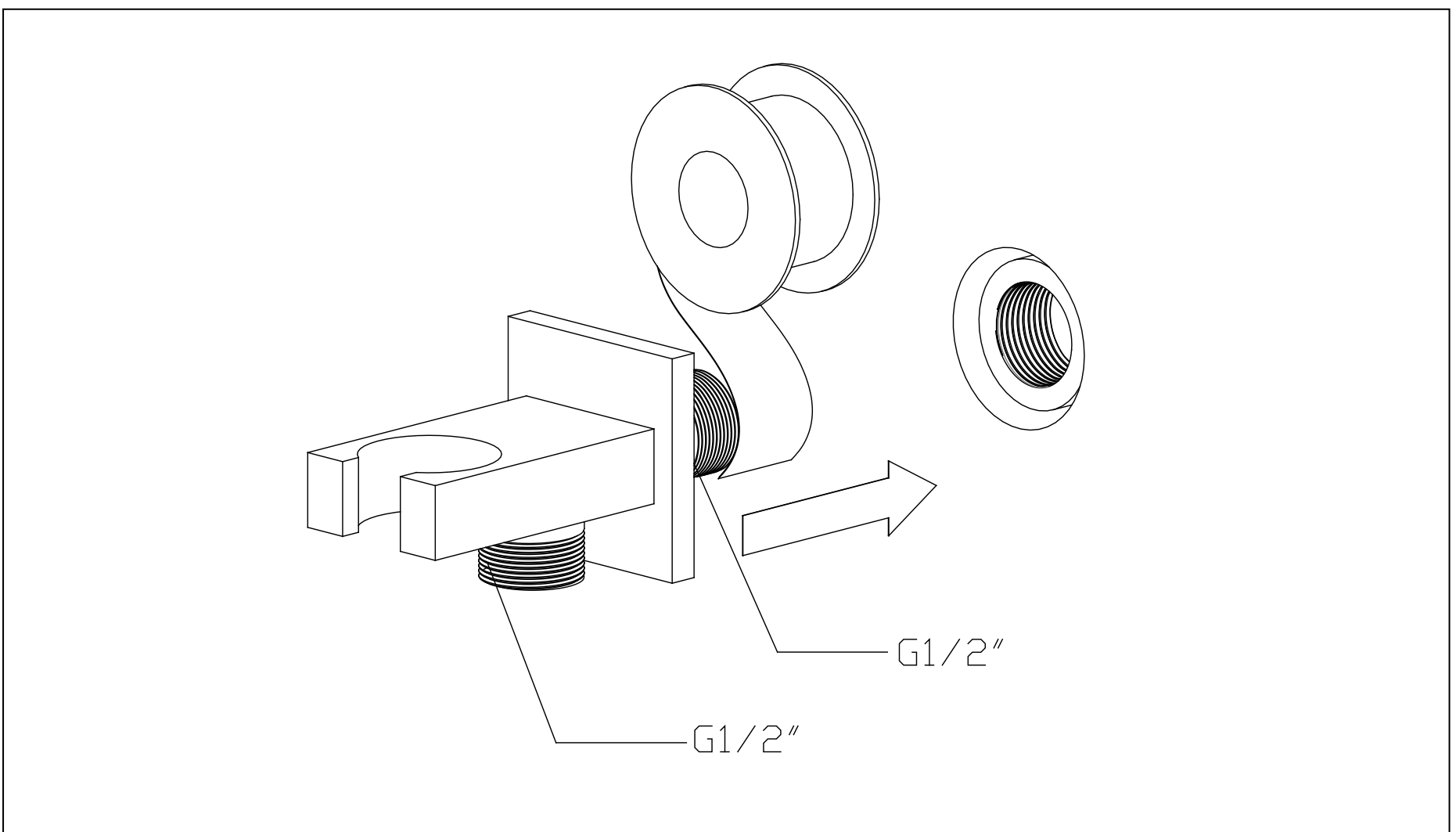
Missing the screen washer might lead to shower invalid.



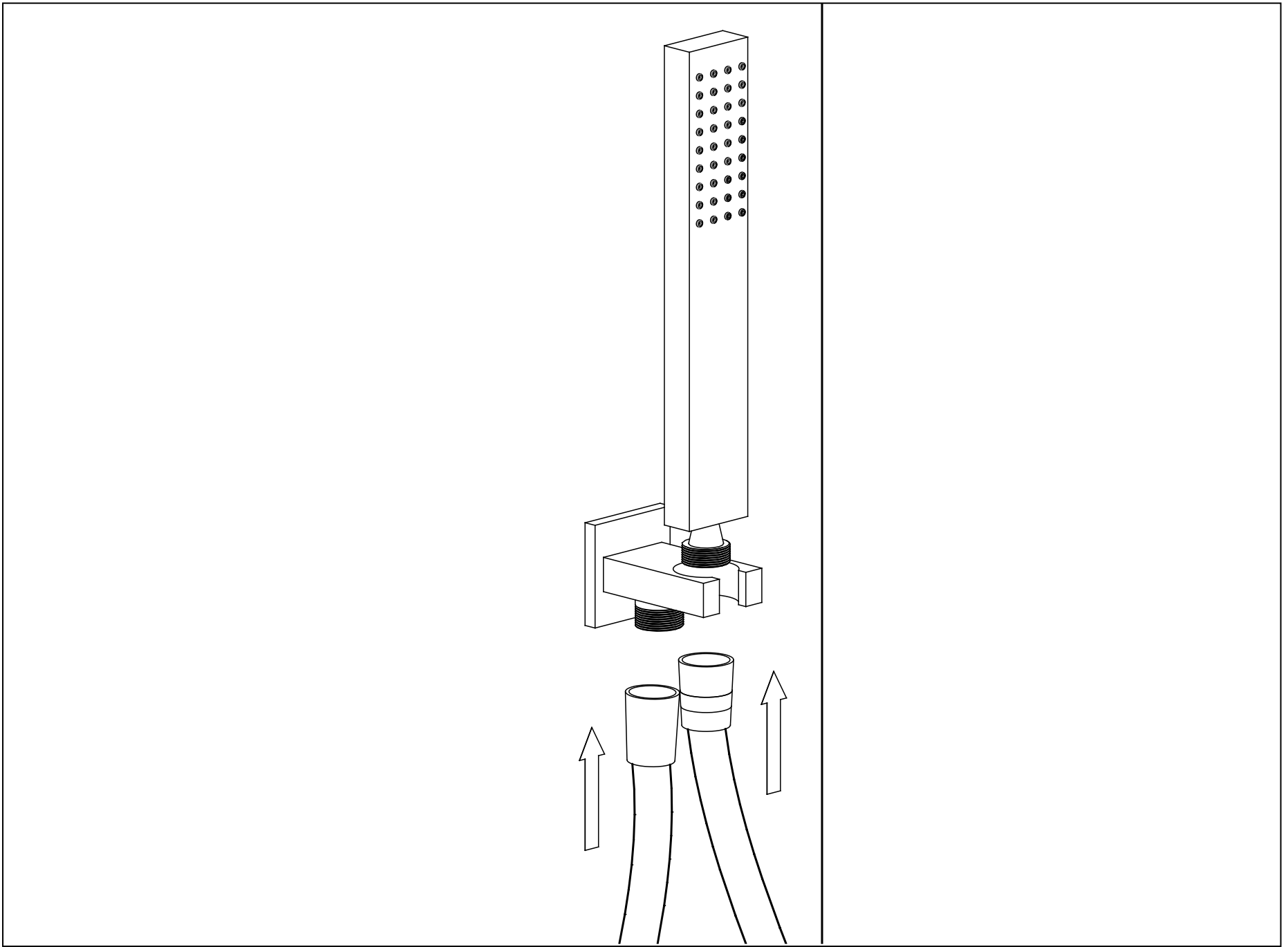
## **8. HAND SHOWER INSTALLATION**

8.1 Apply Teflon tape on the thread of elbow and insert the thread through elbow escutcheon.

Screw the thread into the pipe elbow inside the wall. US, CA customers may require NPT cover to BSPP G1/2" adapter for connecting.



8.2. Connect the hand shower to the elbow with flexible hose.



---

## **9. INSPECTION**

**9.1** Turn on hold and cold water supply and check all connection for ensuring no leaking anywhere.

## **10. FUNCTION INSPECTION**

**10.1** Turn on the handle, the water outflow from the showerhead, the LCD screen display the real-time shower water's temperature. The LCD backlight only be activated when the water's temperature more than the predefined threshold value (Initial threshold :35 °C [95 °F] ), the light color will display according to predefined as below. The scald caution will appear suppose shower water's temperature more than 45 °C [113 °F]

<b>LCD backlight</b>	< 30 °C [86° F]	Blue color
	30 °C[86° F] ~ 38 °C[100,4° F]	Green color
	38 °C[100,4° F] ~ 45 °C[113° F]	Red color
	45 °C[113° F] ~ 48 °C[118,4° F]	Purple color
	>=48 °C[118,4° F]	Bluish yellow color

**10.2** Switch the diverter Knob, the water will rush from the hand shower.

## **INSTALL FINISH**

---

## CLEARNING RECOMMENDATION FOR SUMERAIN PRODUCTS

Modern lavatory faucets, kitchen faucets, and showers consist of very different materials to comply with the needs of the market with regard to design and functionality. To avoid damage and returns, it is necessary to consider certain criteria when cleaning.

### Cleaning Materials for faucets and showers

Acids are a necessary ingredient of cleaning materials for removing lime, however please pay attention to the following points when cleaning faucets and showers:

- Only use cleaning materials which are explicitly intended for this type of application.
- Never use cleaning materials which contain hydrochloric, formic, phosphoric, or acetic acid, as they cause considerable damage.
- Never mix one cleaning material with another.
- Never use cleaning materials or appliances with an abrasive effect, such as unsuitable cleaning powders, sponge pads, or micro fiber cloths.

### Cleaning instructions for faucets and showers

Please follow the cleaning material manufacturer's instructions. In addition, pay attention to the following points:

- Clean the faucets and showers as and when required.
- Use the amount of cleaning product and the amount of time recommended by the manufacturer. Do not leave the cleaner on the fixture longer than necessary.
- Regular cleaning can prevent calcification, if scale deposits are noticed on the faucet surface or the spout, you can clean it by a commercial limescale remover, such as Lime-Away® or CLR®. Dilute the remover according to the label instructions.
- The faucets might have some rusty if your faucet under hard water condition, please rub it with aluminum foil dipped in water until the surface is nice and smooth, and wipe it use a small amount of chrome polish or maybe something like car wax (such as Meguiar®, Turtle Wax®) or polish.
- For stainless steel faucet and spout both made of solid stainless, normally this finish has not protective coating on it (in particular waterfall spout inside), stainless steel is by its material nature very tarnish resistant, but by no means tarnish or stain proof. This finish might oxidize naturally over time and react to its environment. Keep your stainless fixture wiped clean and dry and use only a cleaner specifically made for stainless steel (such as Weiman®, CLR®).
- When using spray cleaners, spray first onto a soft cloth or sponge, never spray directly onto the faucet as droplets can enter openings and gaps and cause damage.
- After cleaning, rinse thoroughly with clean water to remove any cleaner residue.

### Important

Residues of liquid soaps, shampoos, and shower foams can also cause damage, so rinse with clean water after using.



**Please note:** if the surface is already damaged, the effect of cleaning materials will cause further damage.

**Components with damaged surfaces must be replaced or injury could result.**

**Damage caused by improper treatment is not covered under the warranty.**

## TROUBLESHOOTING

Symptom	Solution
Not or less water come out	1 <sup>st</sup> . Make sure turn on the shut-off valve 2 <sup>st</sup> . Inspect all connector for ensuring no stemming inside 3 <sup>st</sup> . Make sure hot and cold water both has enough water, the pressure balance valve will stop water running suppose one of hot/cold water supply system is waterless or only supply low water pressure water.
Leaking from handle	1 <sup>st</sup> . Replace the cartridge 2 <sup>st</sup> . Replace the O-ring.
Less water come out from showerhead	1 <sup>st</sup> . clean the calcification in showerhead nipple
LCD screen shutdown	1 <sup>st</sup> . Recharge battery with charger 2 <sup>st</sup> . Replace battery 3 <sup>st</sup> . Replace electronic module
LCD display error code "E10"	1 <sup>st</sup> . Insert and extract the sensor connector repeatedly 2 <sup>st</sup> . Ensure all connection are solid and not pseudo soldering. 3 <sup>st</sup> . Ensure the sensor wires are not discontinued.
LCD display error code "E20"	1 <sup>st</sup> . Drying the sensor connector if water resided. 2 <sup>st</sup> . Drying the circuit board if water resided
LCD display error code "E30"	1 <sup>st</sup> . Hardware or Software Original authorization Invalid, contact SUMERAIN technical support center.
LCD backlight doesn't activated	1 <sup>st</sup> . the shower water's temperature is less than predefined threshold value
Big temperature measurement error	1 <sup>st</sup> . Drying the sensor connector if water resided. 2 <sup>st</sup> . Drying the circuit board if water resided 3 <sup>st</sup> . Temperature sensor invalid.
LCD screen has steam	1 <sup>st</sup> . Loose and take off the LCD screen, drying the transparent plate and reassemble.



### HONGKONG SUMERAIN SANITARY INDUSTRY CO., LIMITED

Address: ROOM 1018, HOLLYWOOD PLAZA 610 NATHAN ROAD MONGKOK, KL  
 Factory Address: 25 building Tangkou Industrial Park, Shuikou town, Kaiping City, Guangdong Province, China (Mainland)  
 Tel: +86-750-2731579  
 Toll Free: 400-0999-075 (China mainland)  
 Fax: +86-750-2715258  
 Web: <http://www.sumerain.com>  
 E-mail: [hk@sumerain.com](mailto:hk@sumerain.com)

### SUMERAIN INTERNATIONAL GROUP – AMERICA SALES Branch

Address: 13455 Harper Dr.  
 Saratoga, CA 95070  
 USA  
 Tel: +1-408-867-8884  
 FAX: +1-408-867-4272  
 E-mail: [us@sumerain.com](mailto:us@sumerain.com)

