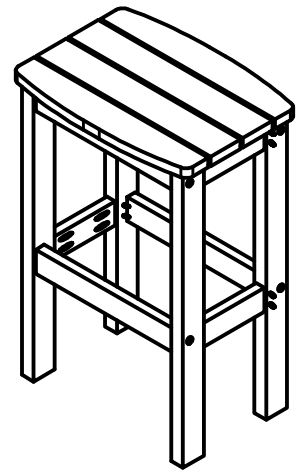


Balcony Counter/Bar Stool

Assembly Guide

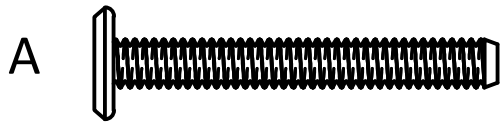


CHR-KS2
CHR-KS3

*Actual Style May Vary from
the One Pictured in this Guide

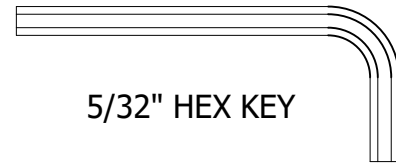
HARDWARE INCLUDED

Qty: 8



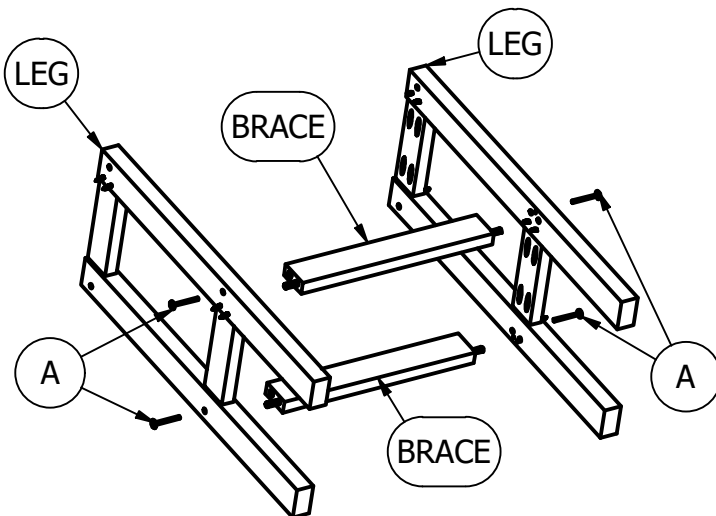
1/4" - 20 X 2"

TOOLS INCLUDED

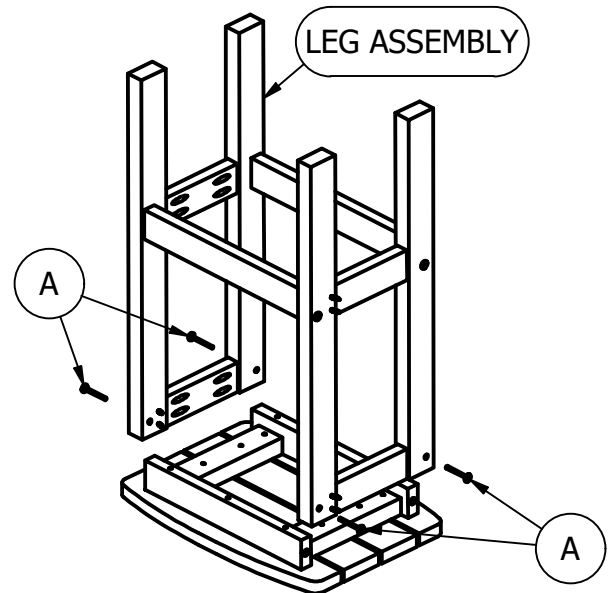


IMPORTANT!

DO NOT fully tighten bolts until all bolts are started.



**1) Install Braces Between legs
Using (4) "A" Bolts as Shown.**



**2) Attach Leg Assembly to Seat
Using (4) "A" Bolts as Shown**