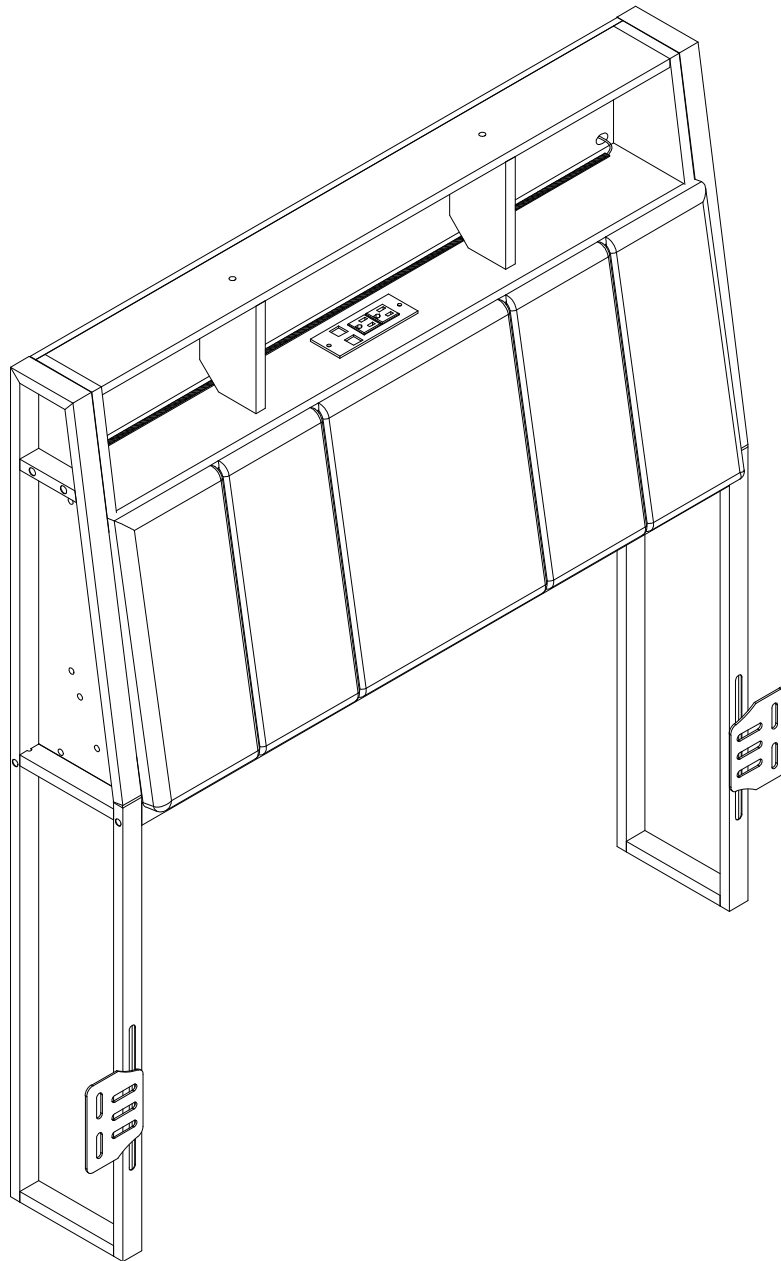
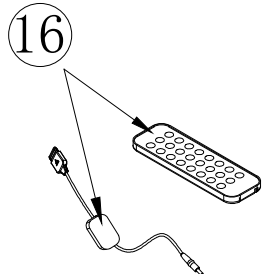
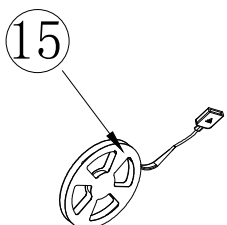
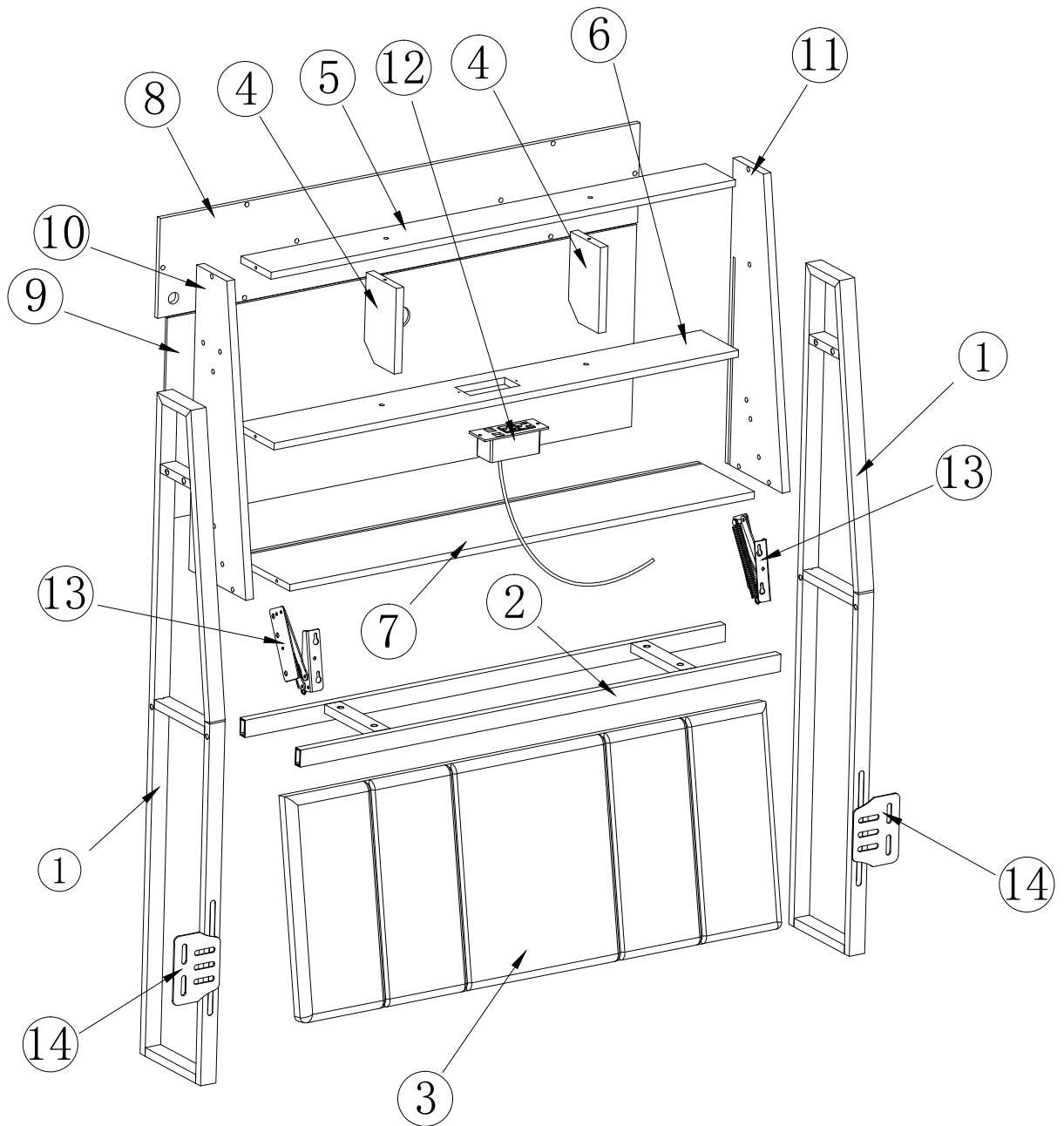


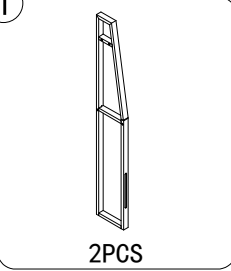
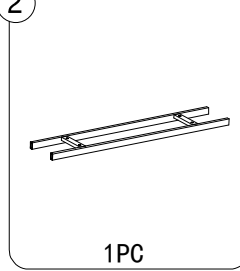
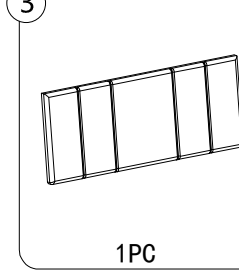
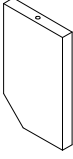
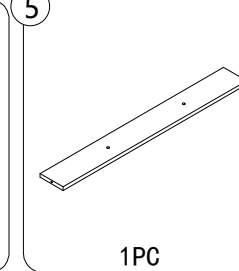
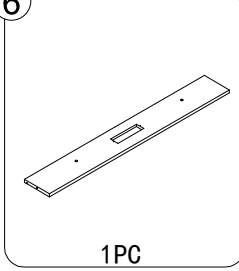
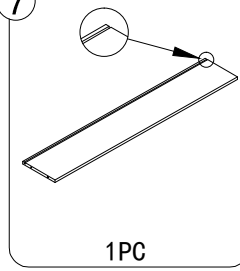
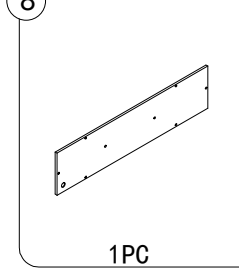
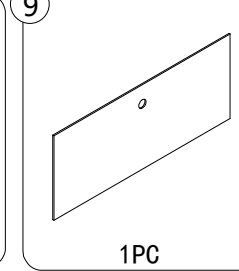
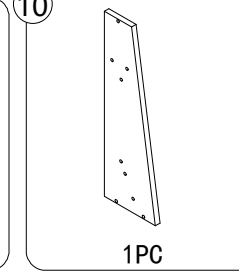
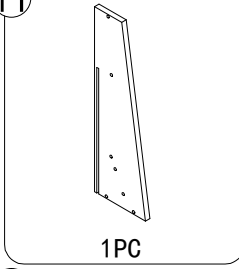
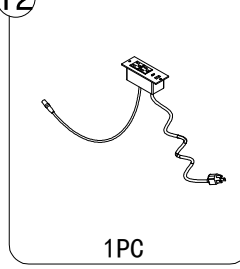
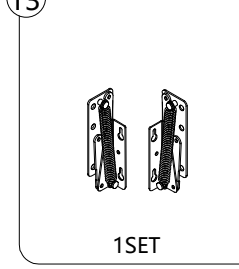
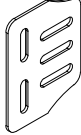
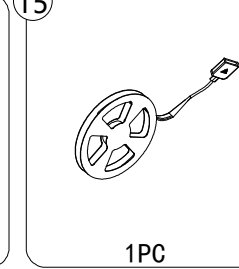
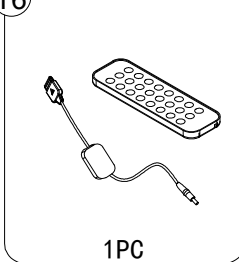
USER'S MANUAL




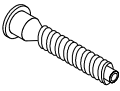
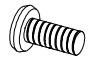
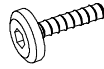
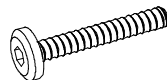
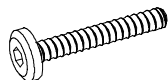

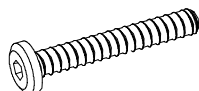


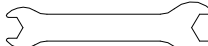

Email: service-priority@hotmail.com

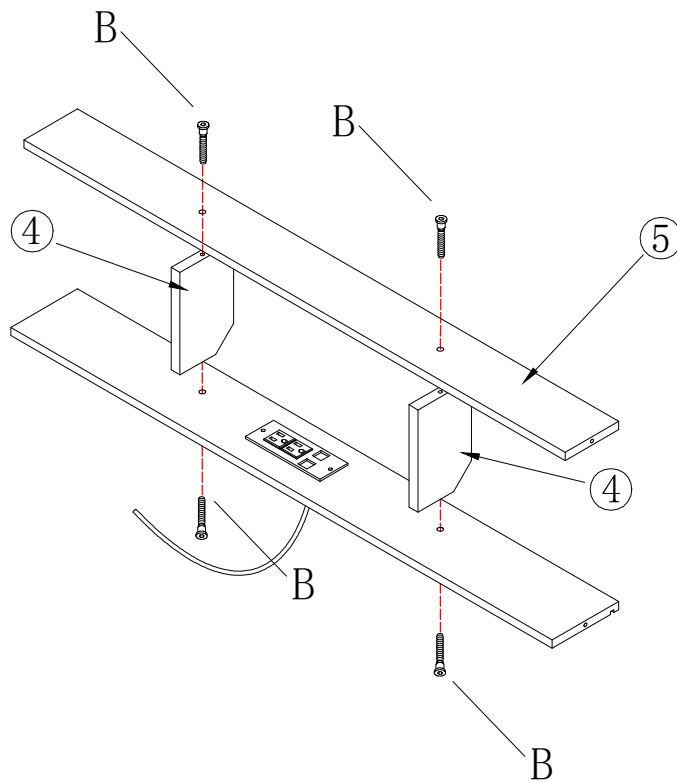
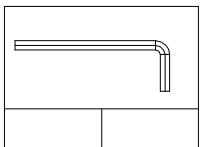
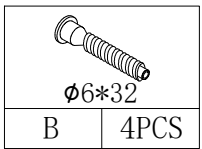
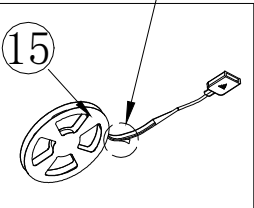
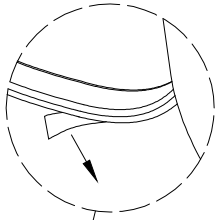
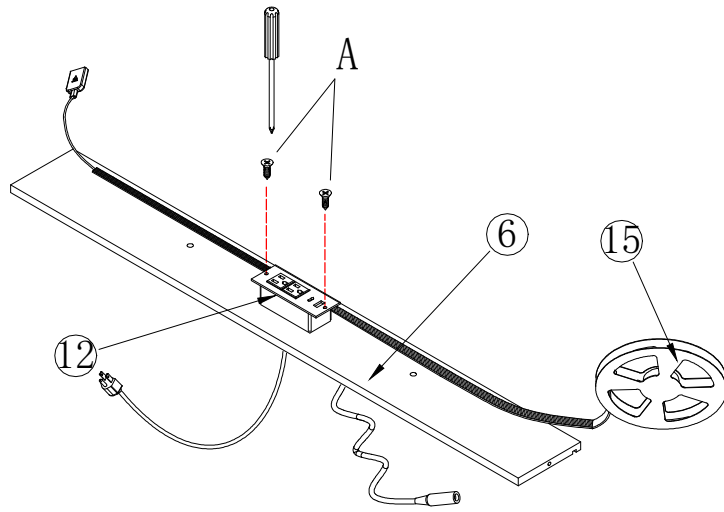
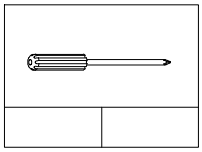
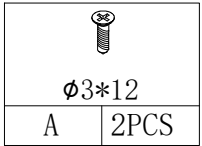


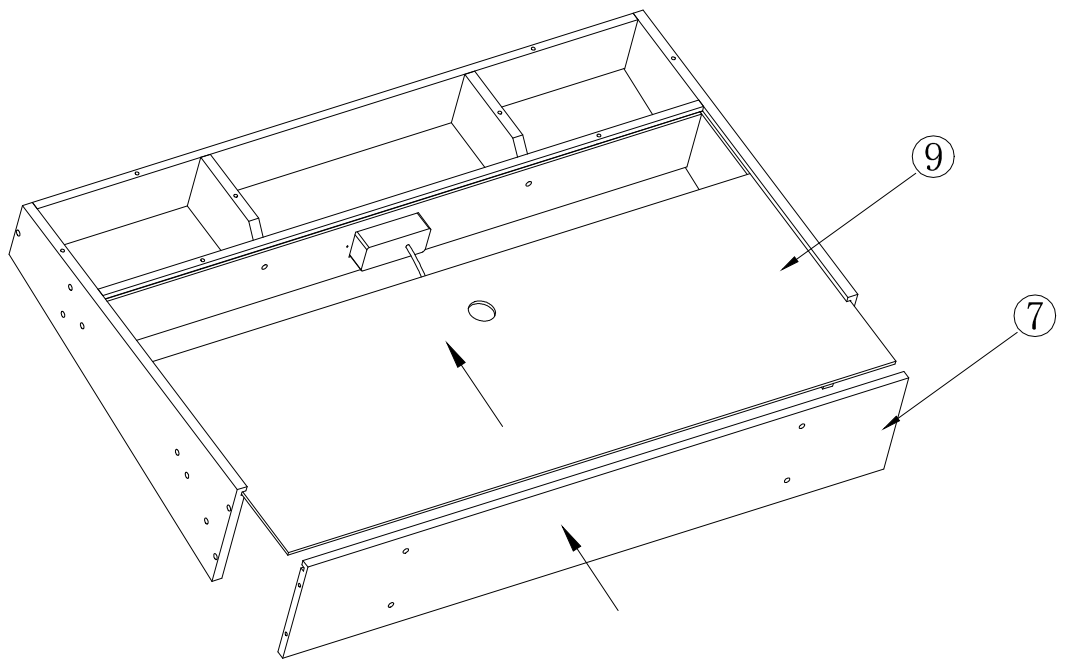
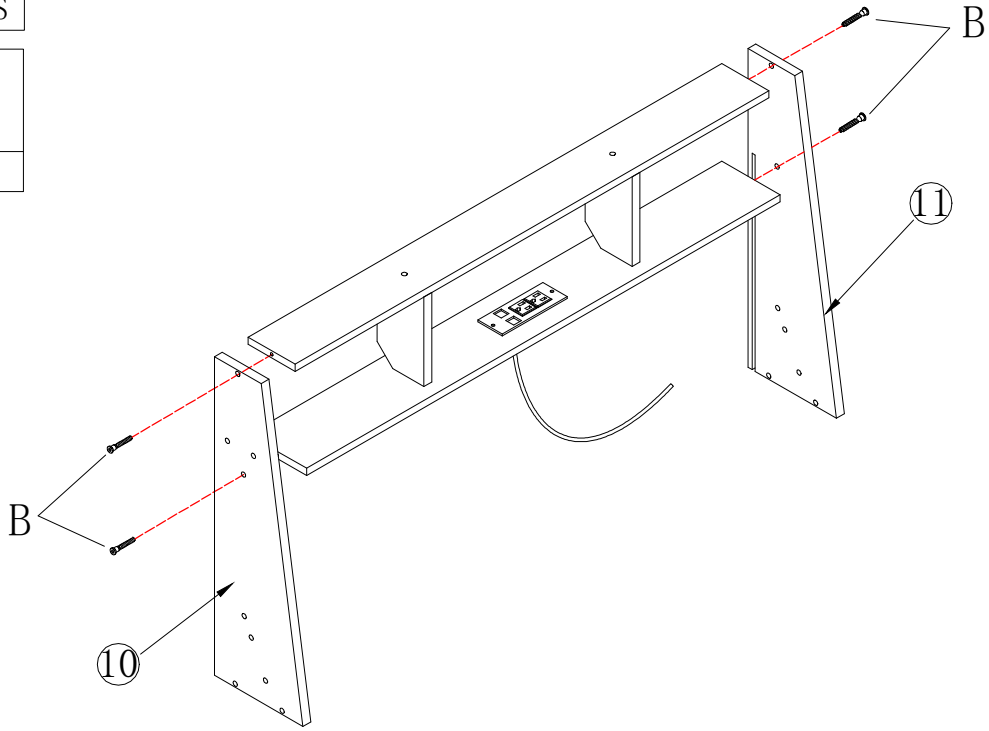
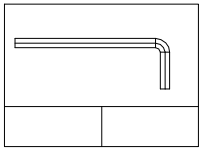
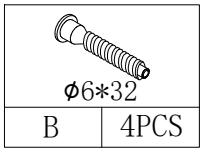
Parts List

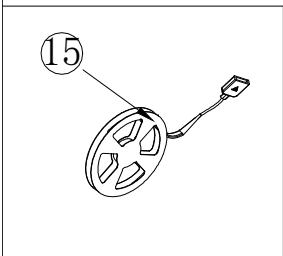
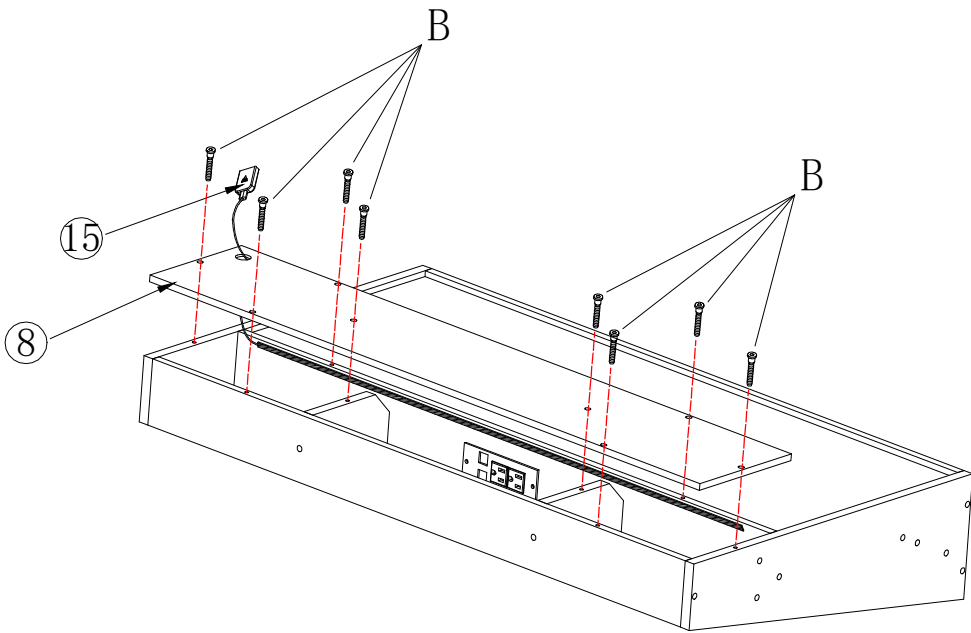
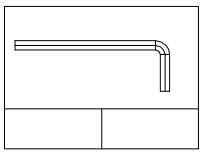
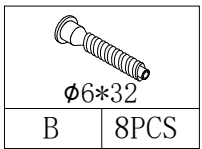
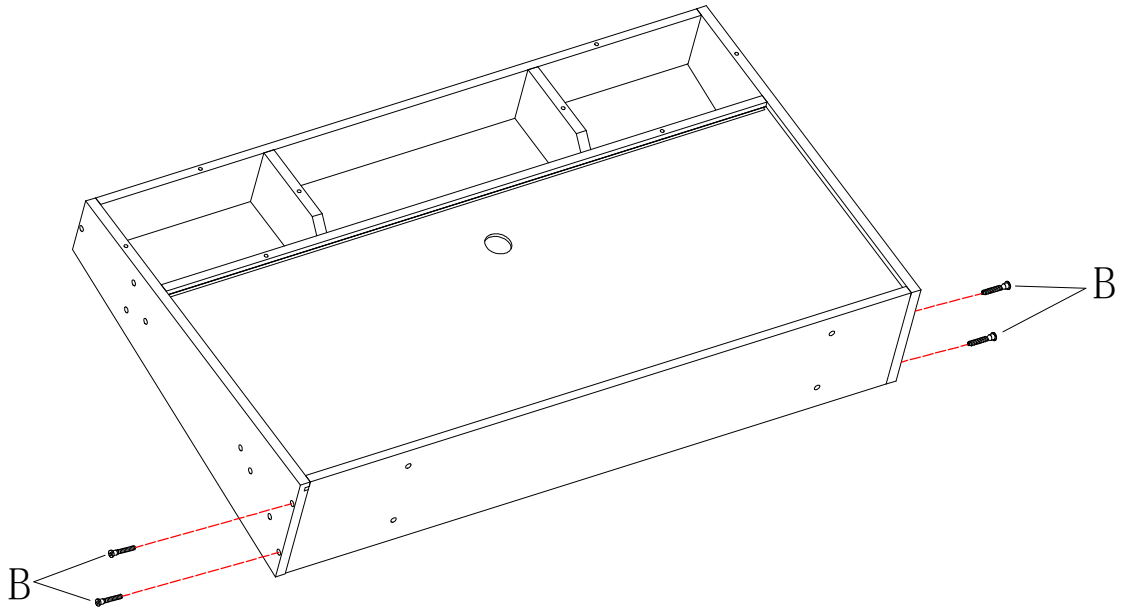
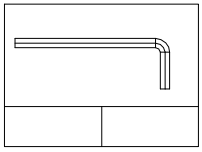
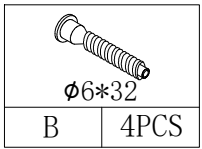
- 1  2PCS
- 2  1PC
- 3  1PC
- 4  2PCS
- 5  1PC
- 6  1PC
- 7  1PC
- 8  1PC
- 9  1PC
- 10  1PC
- 11  1PC
- 12  1PC
- 13  1SET
- 14  2PCS
- 15  1PC
- 16  1PC

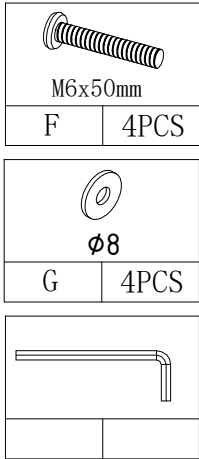
Hardware List

<p>A</p> <p>$\phi 3*12$</p>  <p>2PCS</p>	<p>B</p> <p>$\phi 6*32$</p>  <p>20PCS</p>	<p>C</p> <p>M6x15mm</p>  <p>10PCS</p>	<p>D</p> <p>M6x25mm</p>  <p>4PCS</p>
<p>E</p> <p>M6x45mm</p>  <p>4PCS</p>	<p>F</p> <p>M6x50mm</p>  <p>4PCS</p>	<p>G</p> <p>$\phi 8$</p>  <p>24PCS</p>	<p>H</p> <p>M8x50mm</p>  <p>8PCS</p>
<p>I</p> <p>M8</p>  <p>8PCS</p>	 <p>1PC</p>	 <p>1PC</p>	 <p>1PC</p>

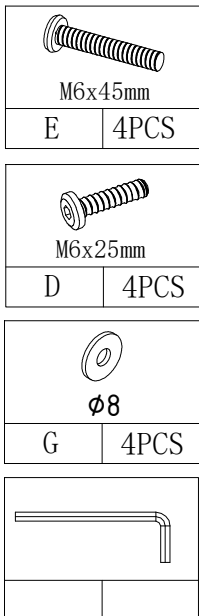
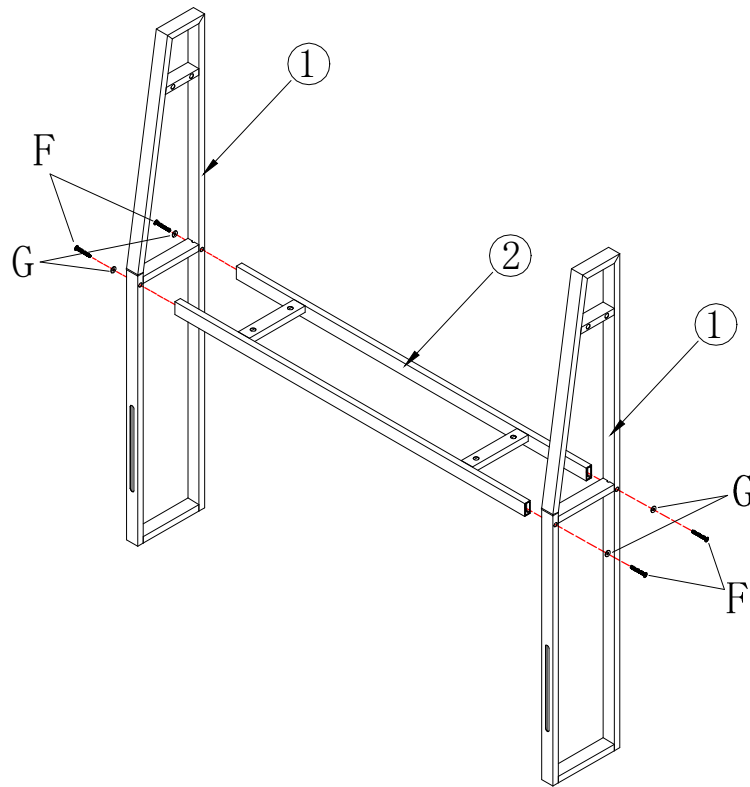




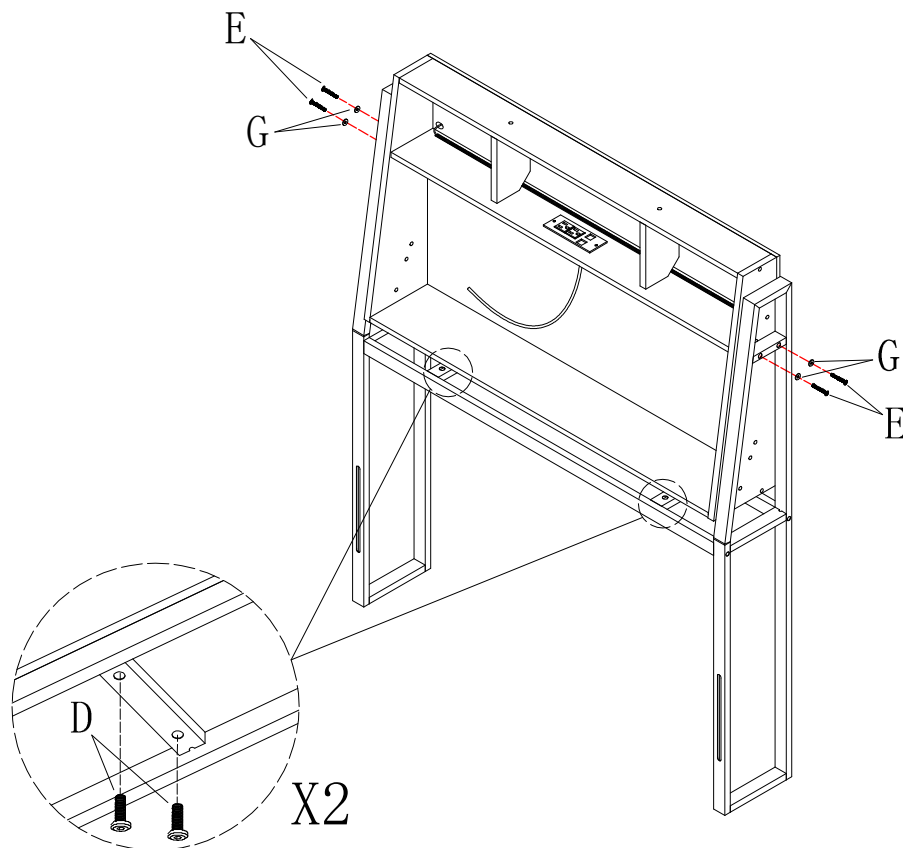


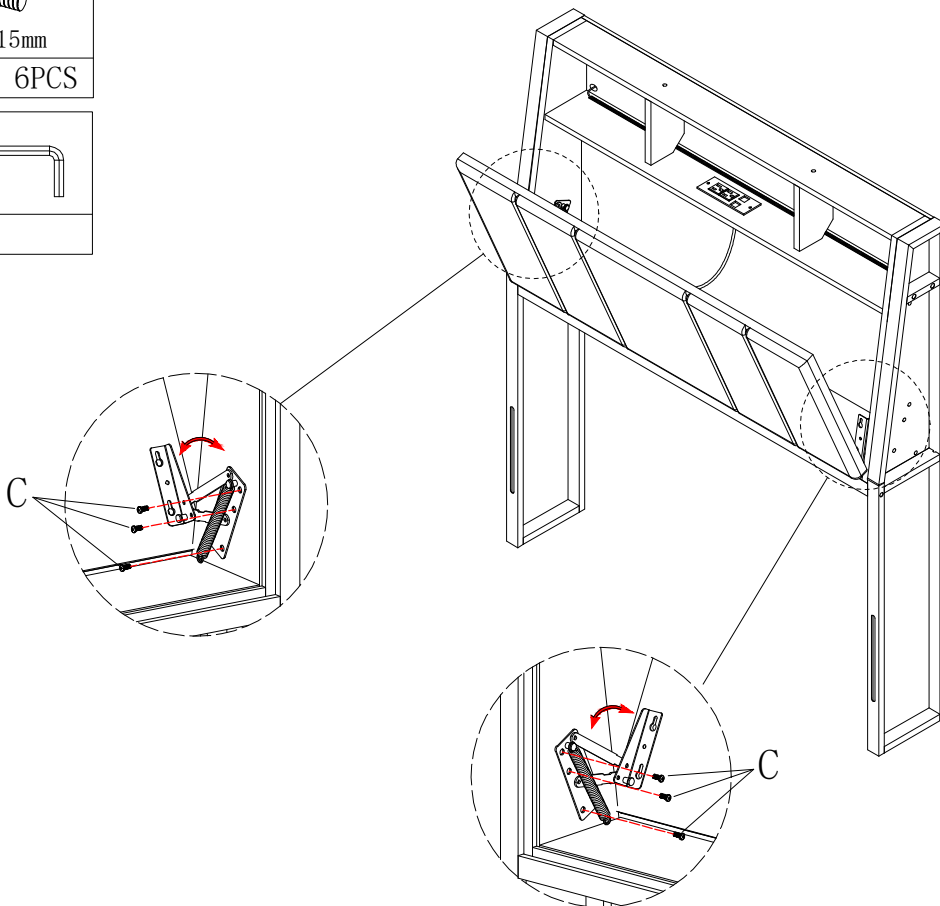
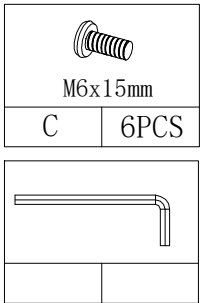
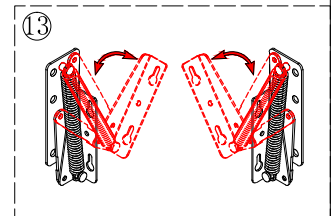
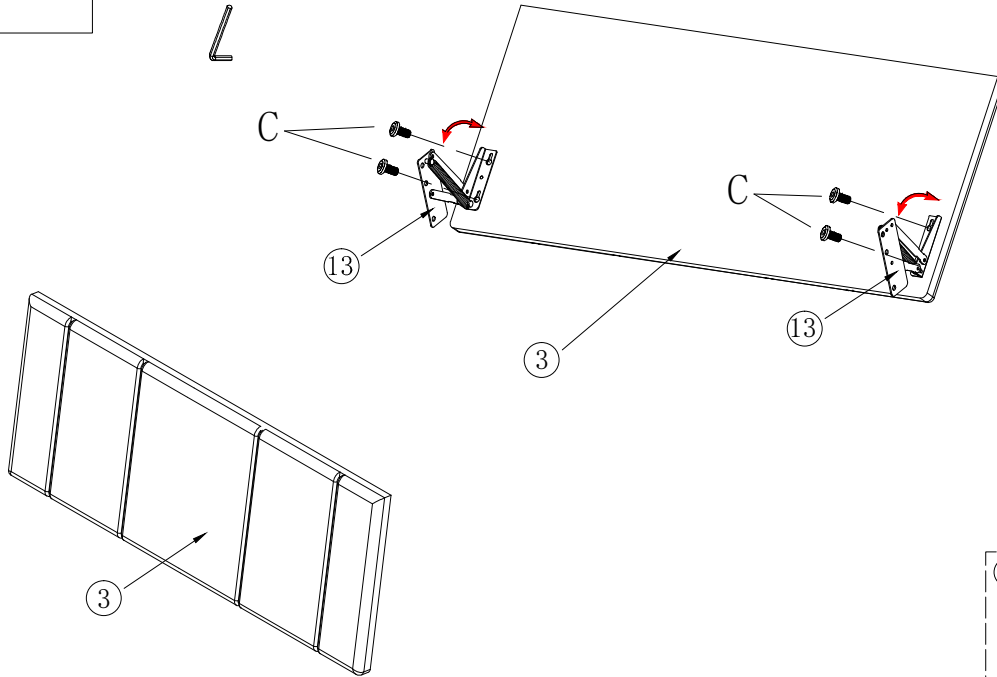
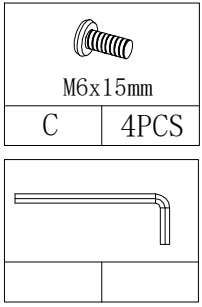


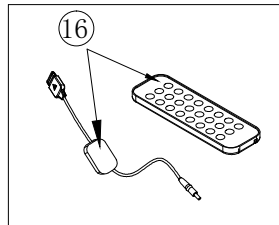
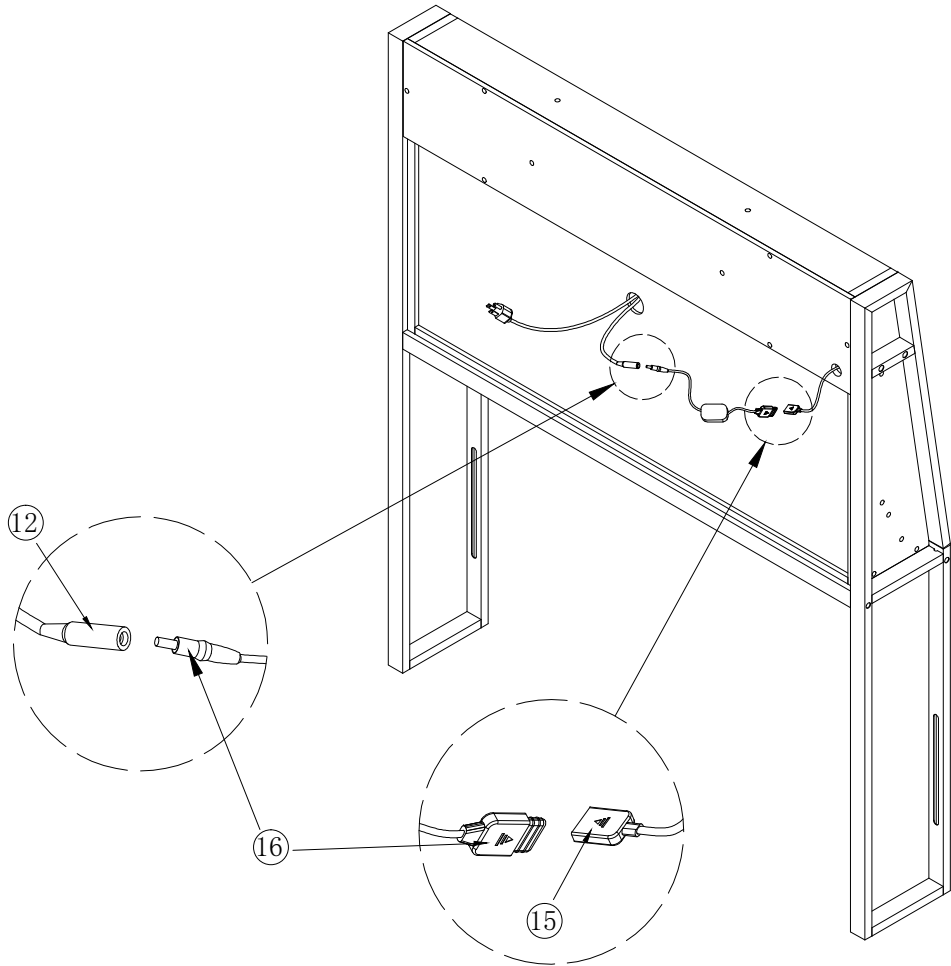
Please don't tighten the screws completely .


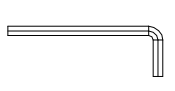

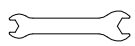



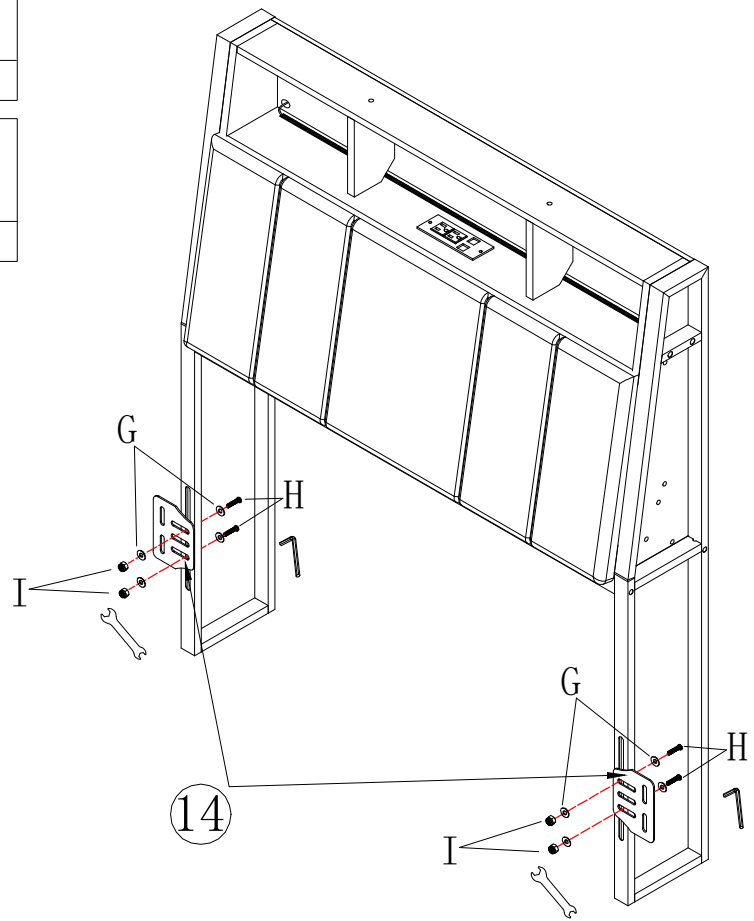
Please tighten all screws at the end of each screw alignment.




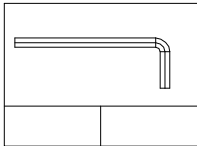





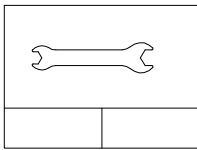
	
M8x50mm	
H	4PCS
	
ø8	
G	8PCS
	
M8	
I	4PCS




	
M8x50mm	
H	4PCS



	
ø8	
G	8PCS



	
M8	
I	4PCS

