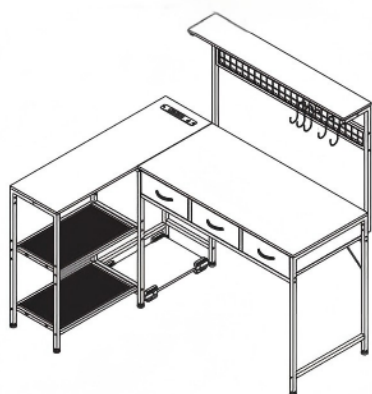
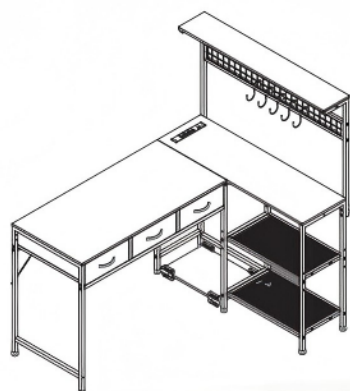
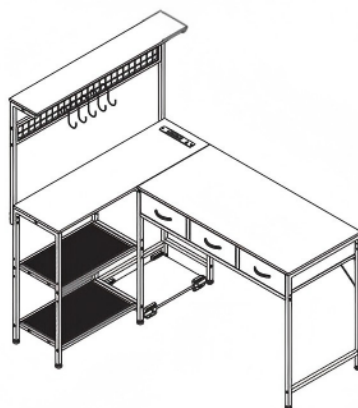


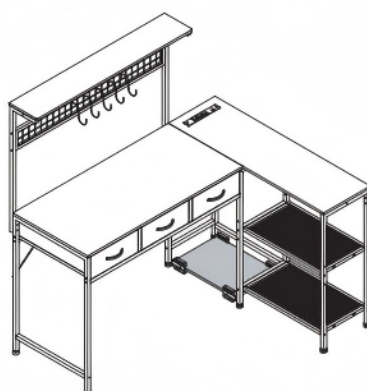
Three Drawers L-shaped Desk



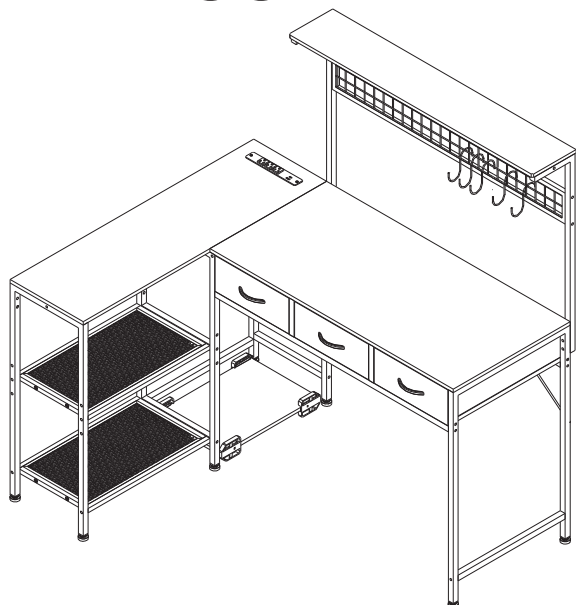
OR



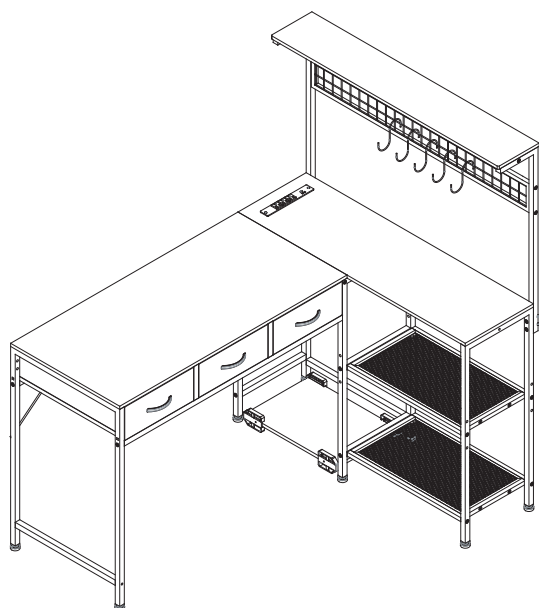
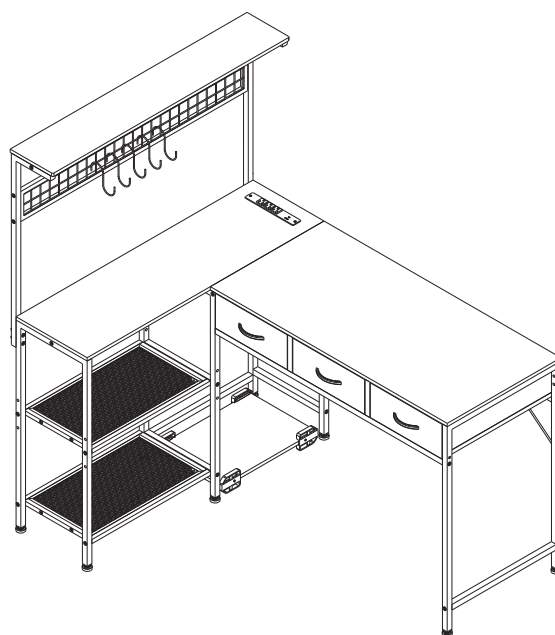
OR



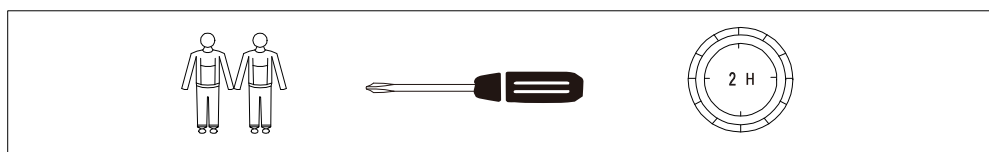
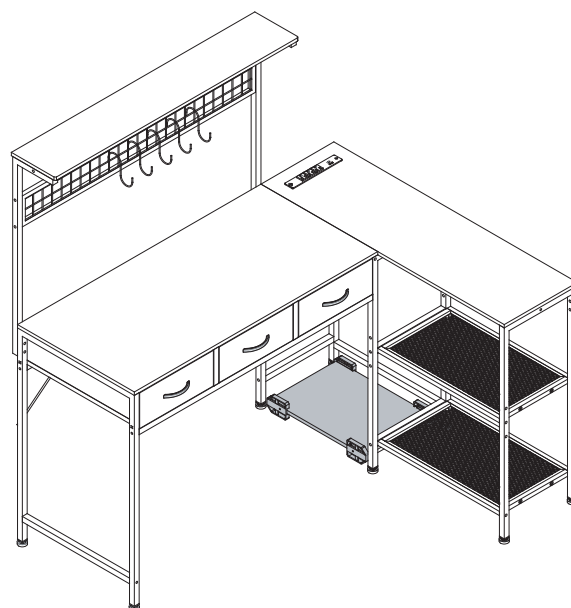
ASSEMBLY INSTRUCTIONS

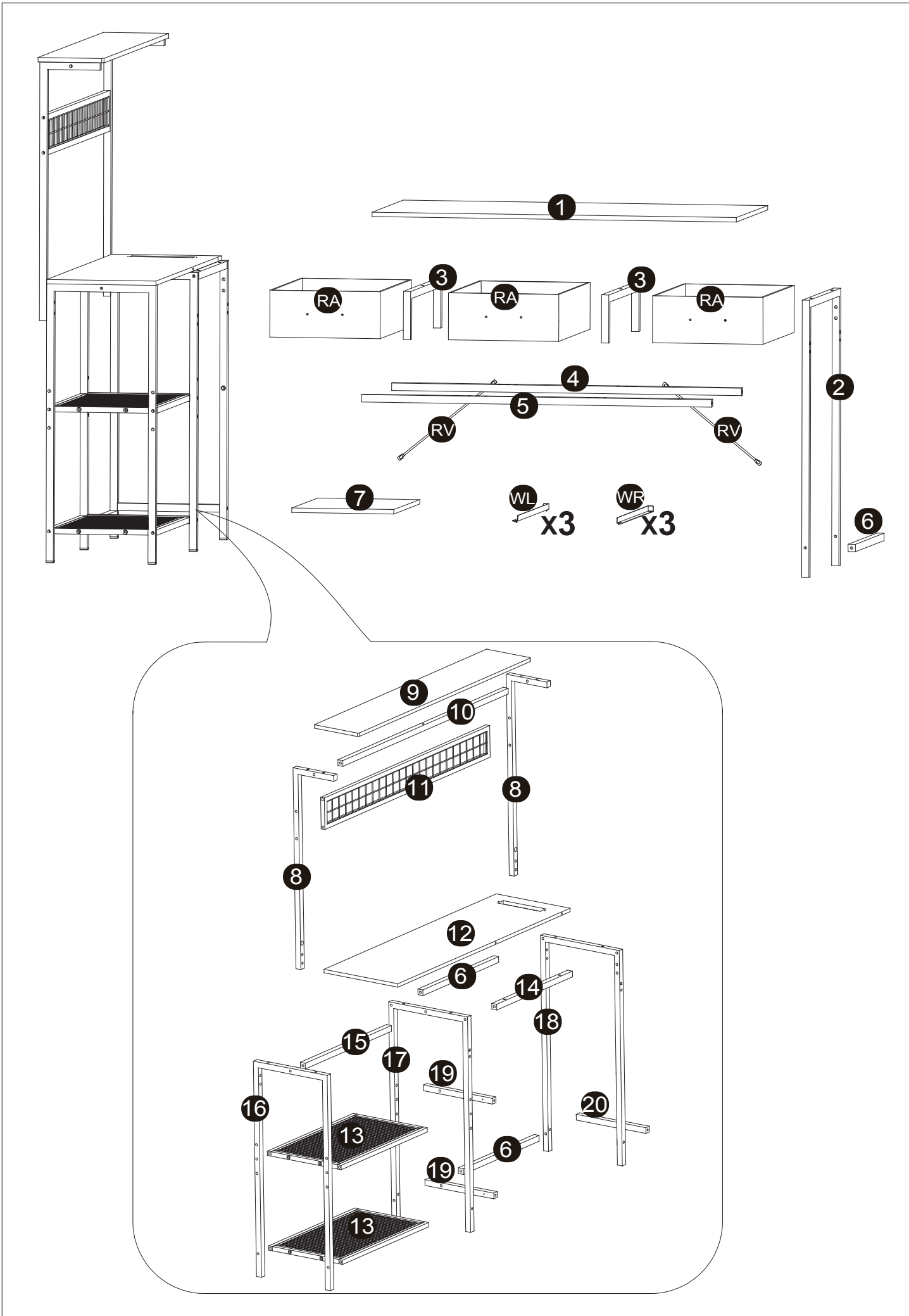


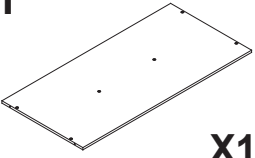
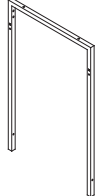
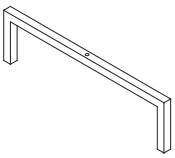
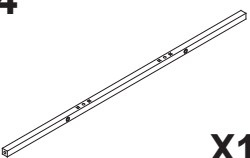
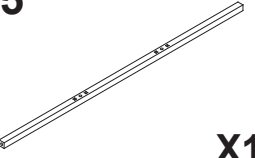
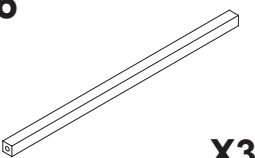
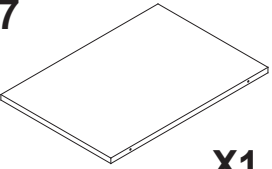
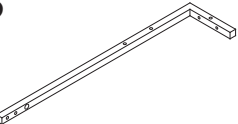
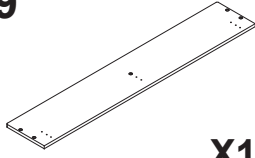
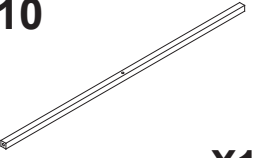
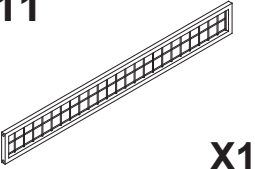
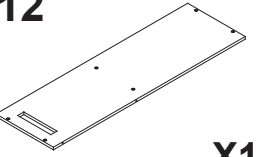
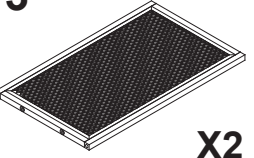
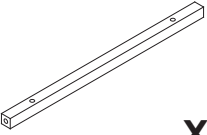
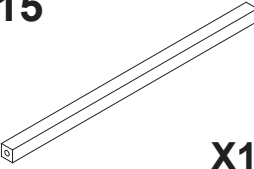
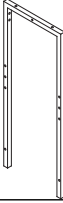
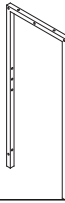

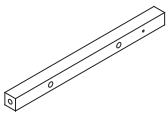
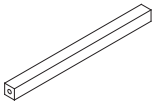
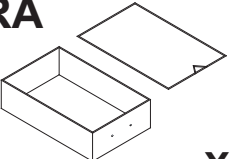

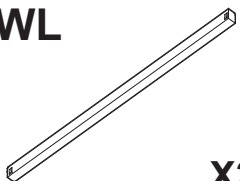

OR

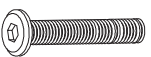
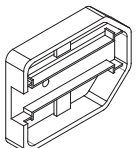


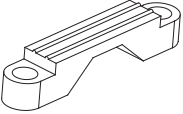


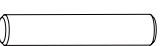

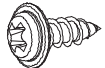
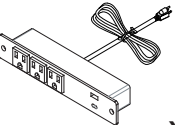
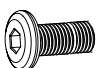
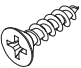

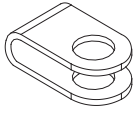
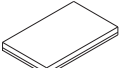
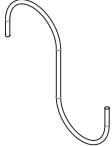
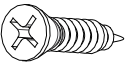

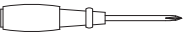
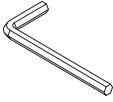


OR

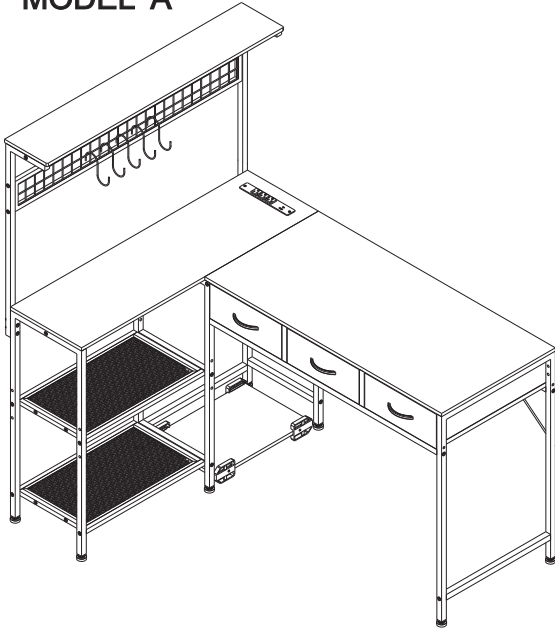




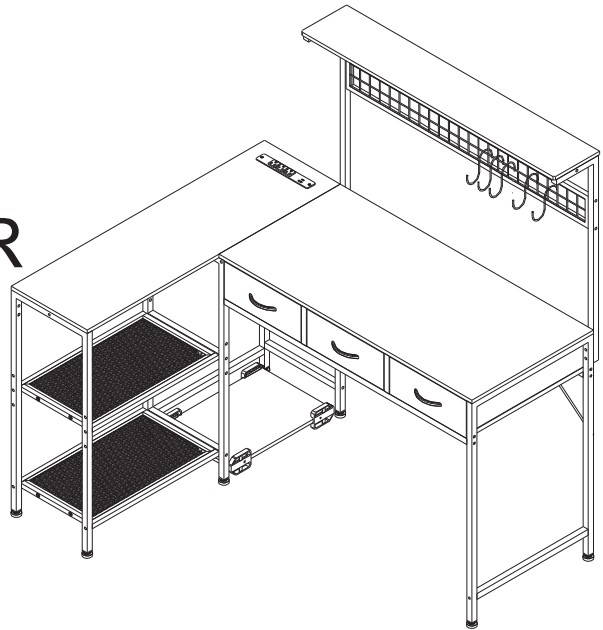
1  X1	2  X1	3  X2	4  X1	5  X1
6  X3	7  X1	8  X2	9  X1	10  X1
11  X1	12  X1	13  X2	14  X1	15  X1
16  X1	17  X1	18  X1	19  X2	20  X1
RA  X3	RV  X2	WL  X3	WR  X3	

A M6x33mm  X38(+3)	B  X4	C M6x28mm  X17(+1)	D M6x45 mm  X4 (+1)	E  X3 (+1)
F M6  X8 (+1)	G M6mm  X4 (+1)	H M6x30mm  X2 (+1)	I  X3 (+1)	J M4x8mm  X6 (+1)
K  X1	L M6x16mm  X4 (+1)	M M3x10mm  X9 (+1)	N  X1	O  X1 (+1)
P  X12(+1)	Q  X5	R M3.5 x14mm  X4 (+1)	S  M6  X1	 X2

MODEL A



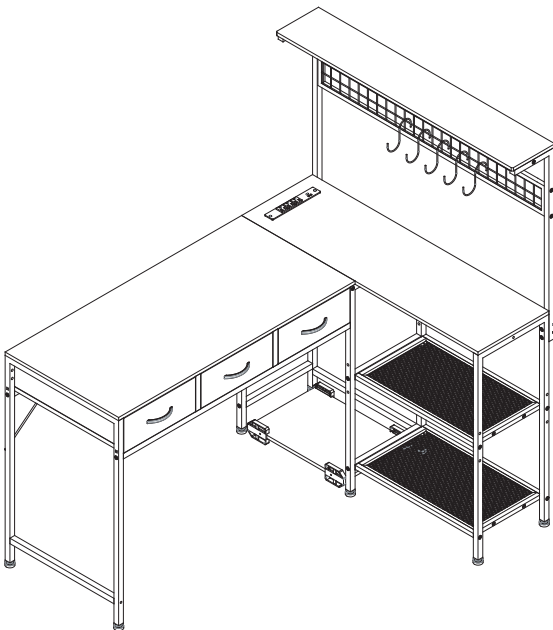
MODEL B



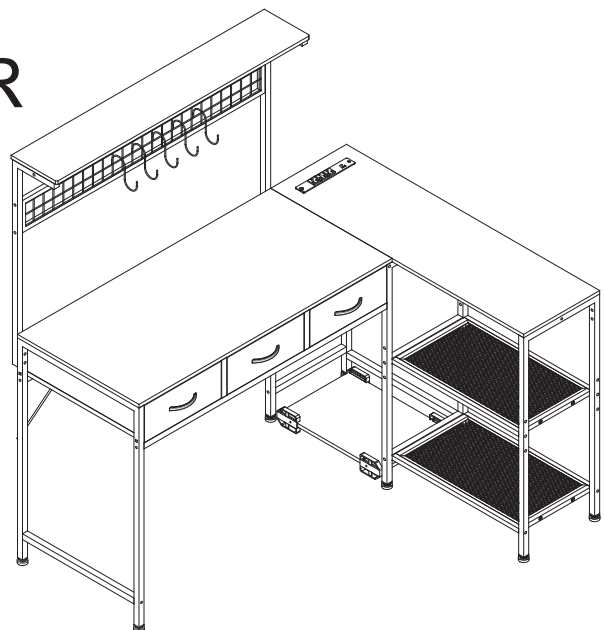
OR

For the assembly steps of MODEL A and MODEL B,
Please refer to STEP 1 to STEP 16

MODEL C



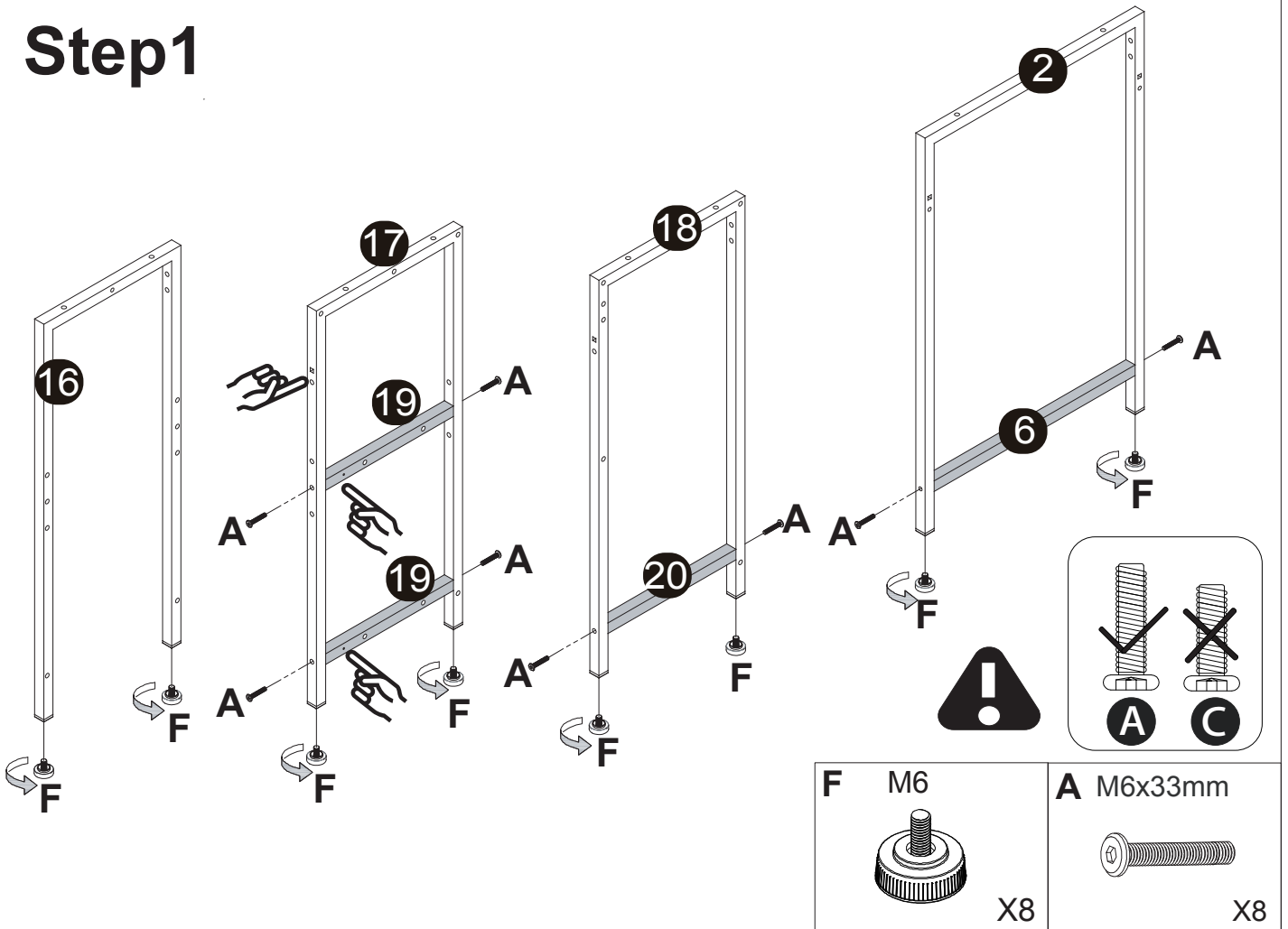
MODEL D



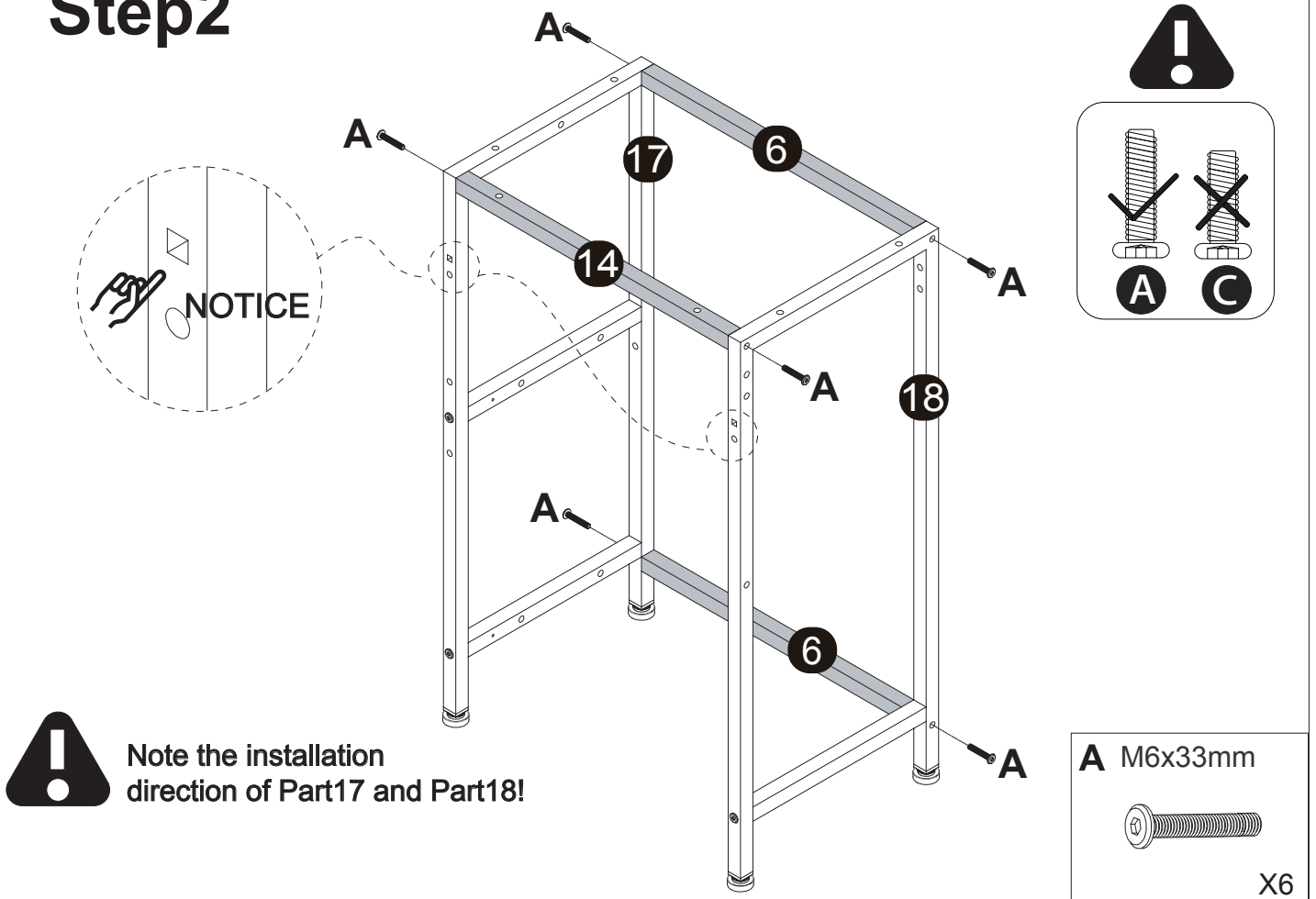
OR

For the assembly steps of MODEL C and MODEL D,
Please refer to STEP 17 to STEP 32

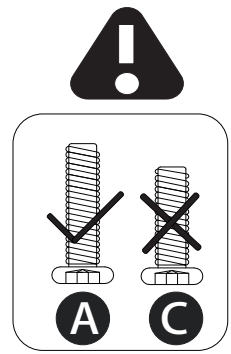
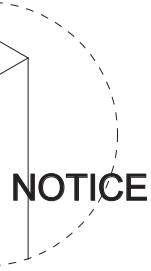
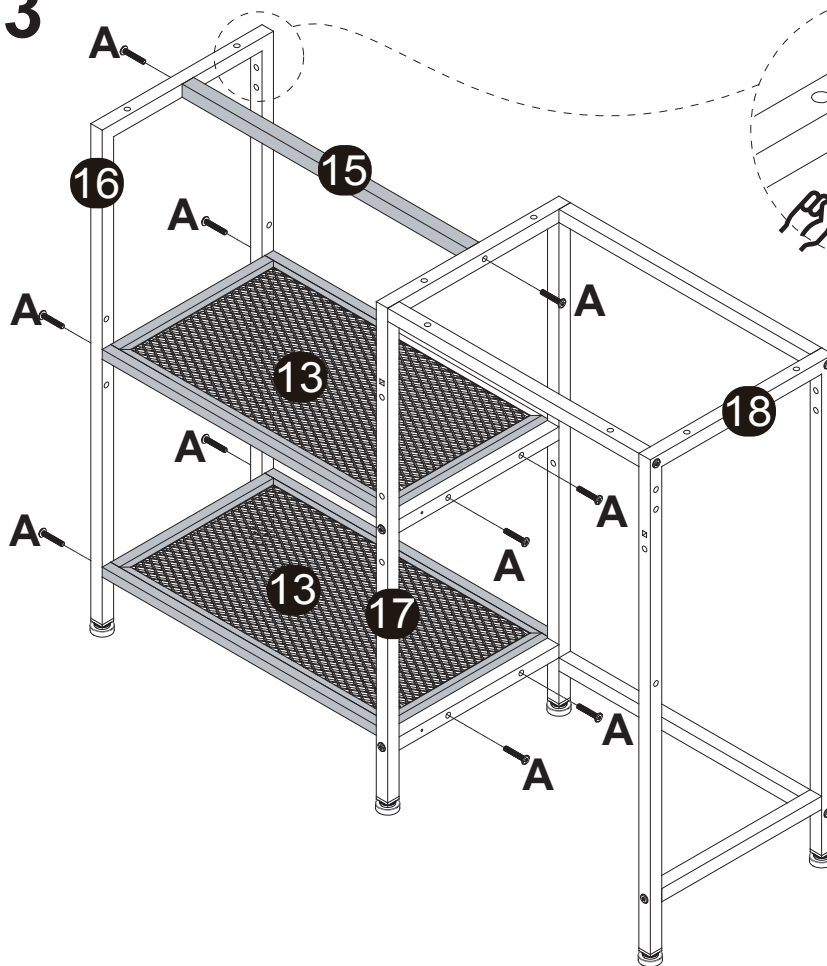
Step1

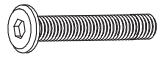


Step2

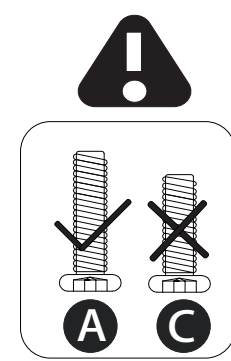
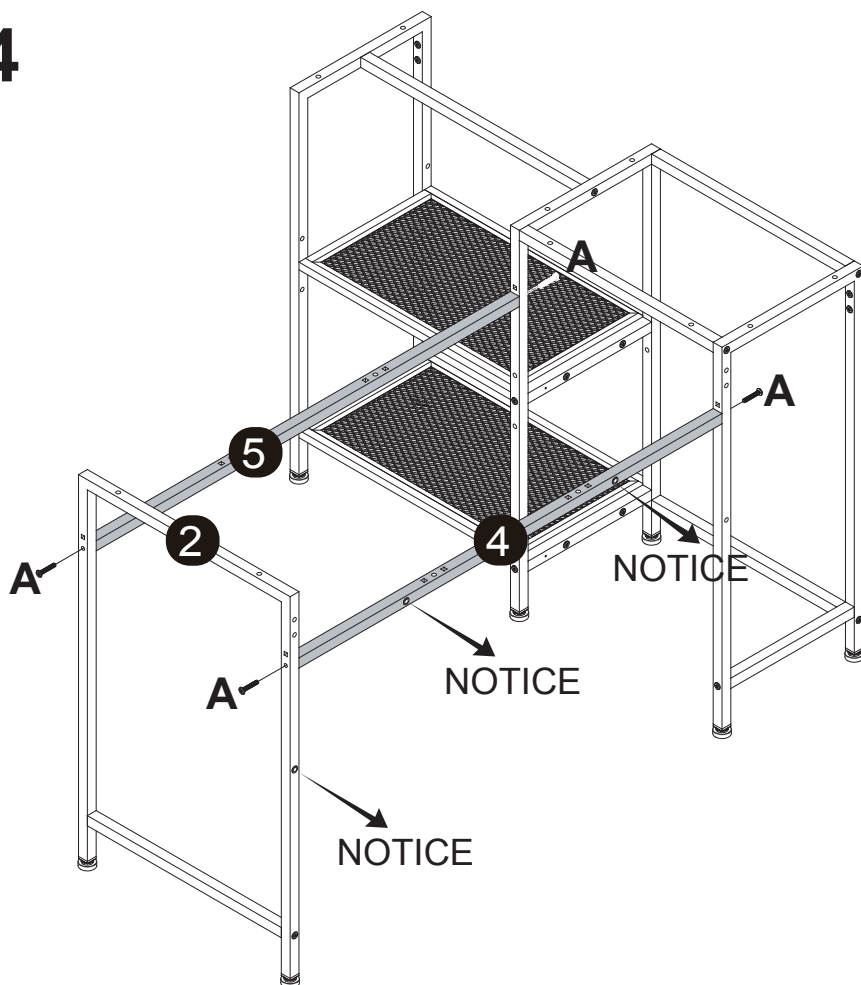



Step3



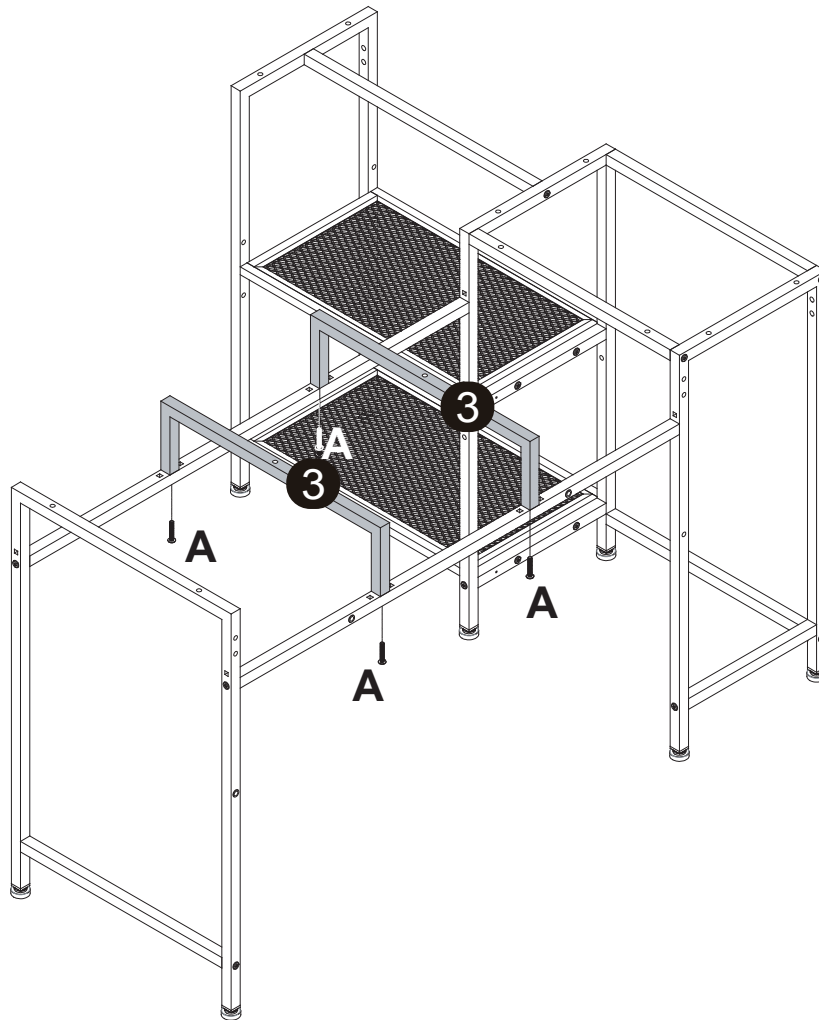
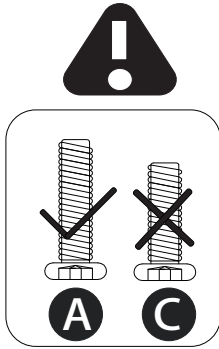
A M6x33mm

X10

Step4

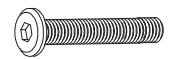


A M6x33mm

X4

Step 5



A M6x33mm

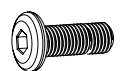


X4

Step 6

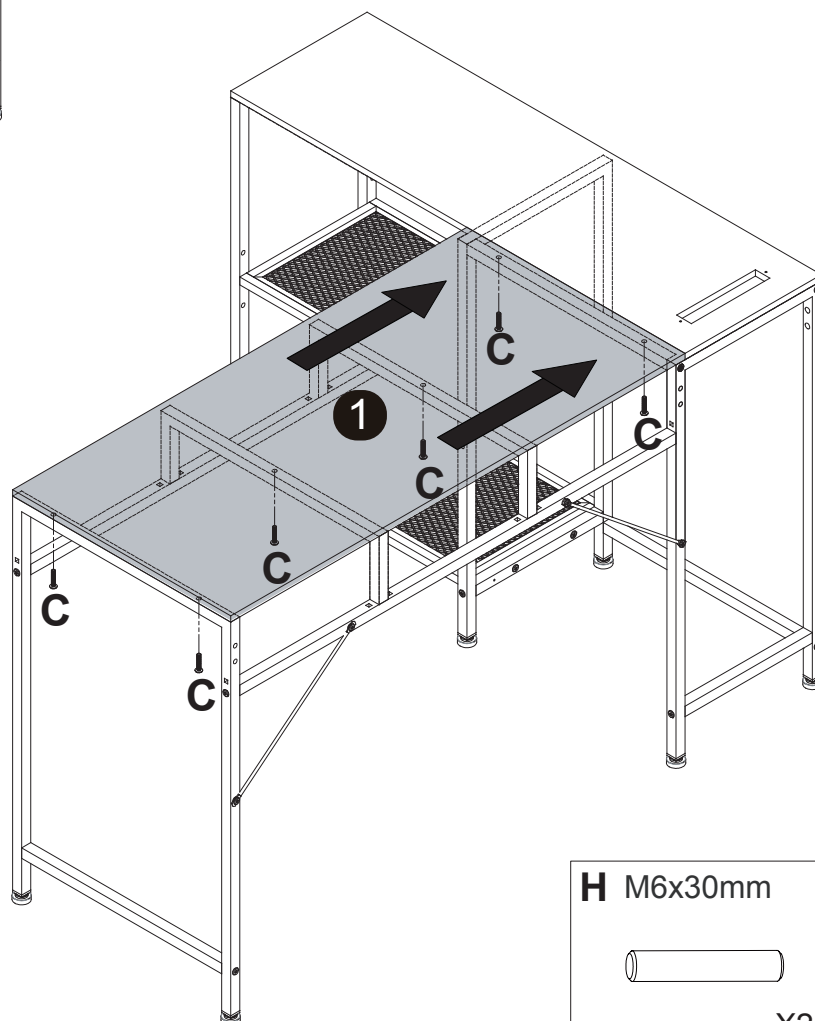
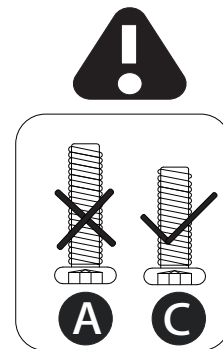
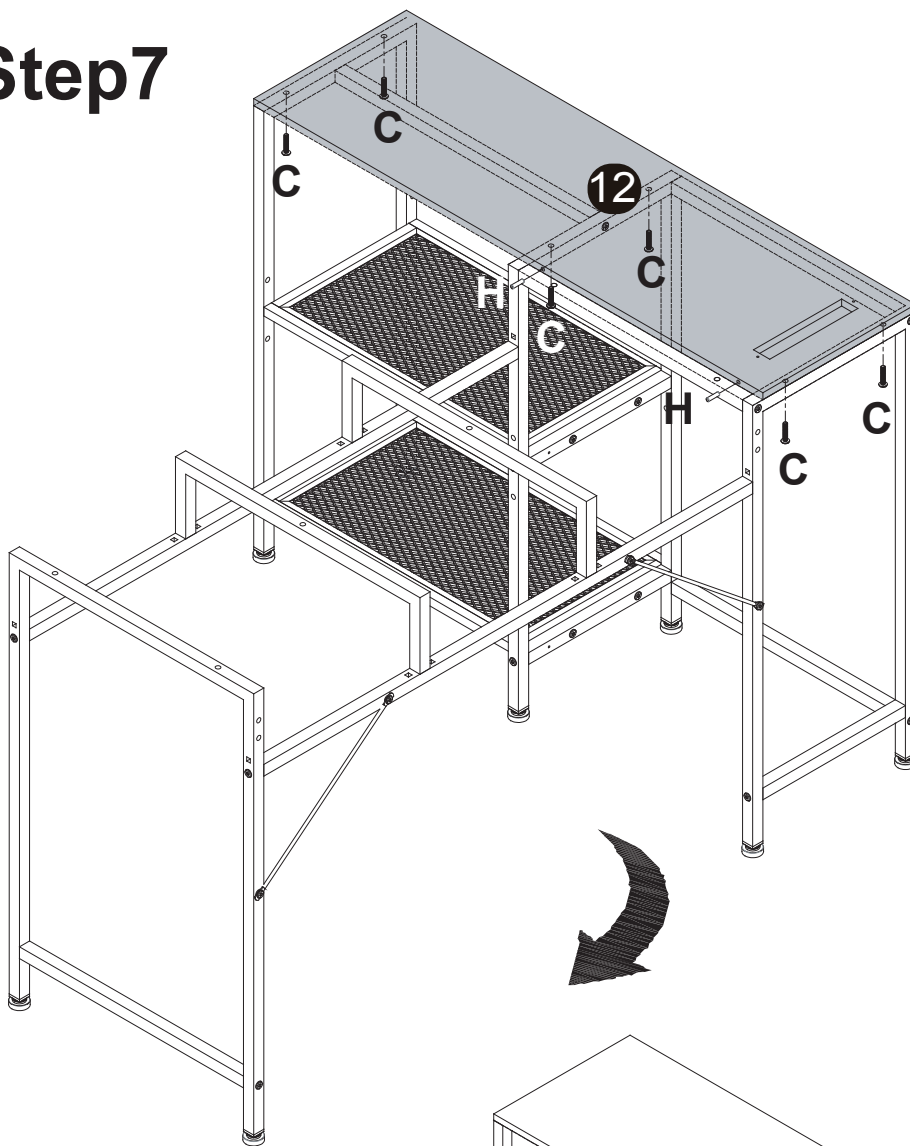




L M6x16mm



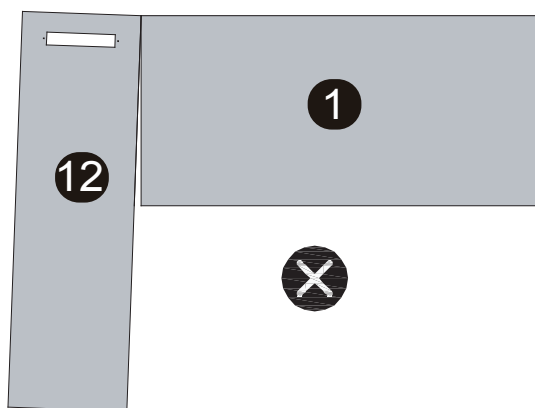
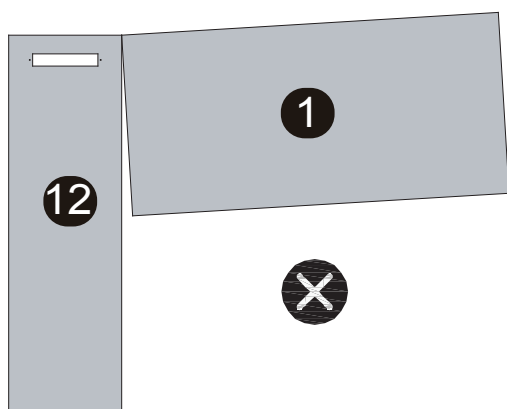
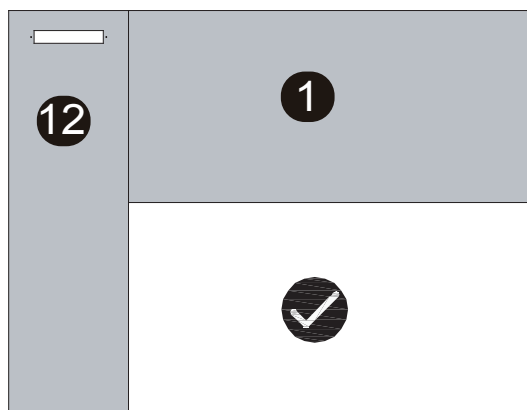
X4

Step 7

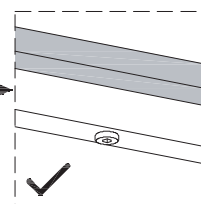
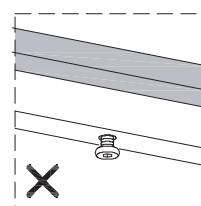
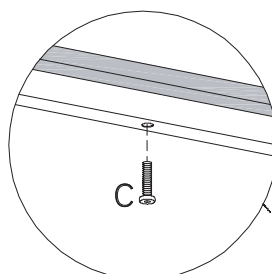


H M6x30mm  X2	C M6x28mm  X12
---	--

Step 8

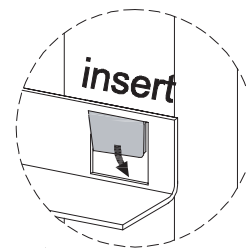
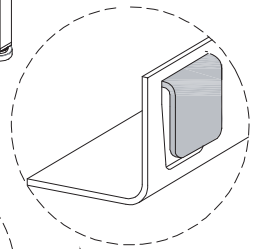
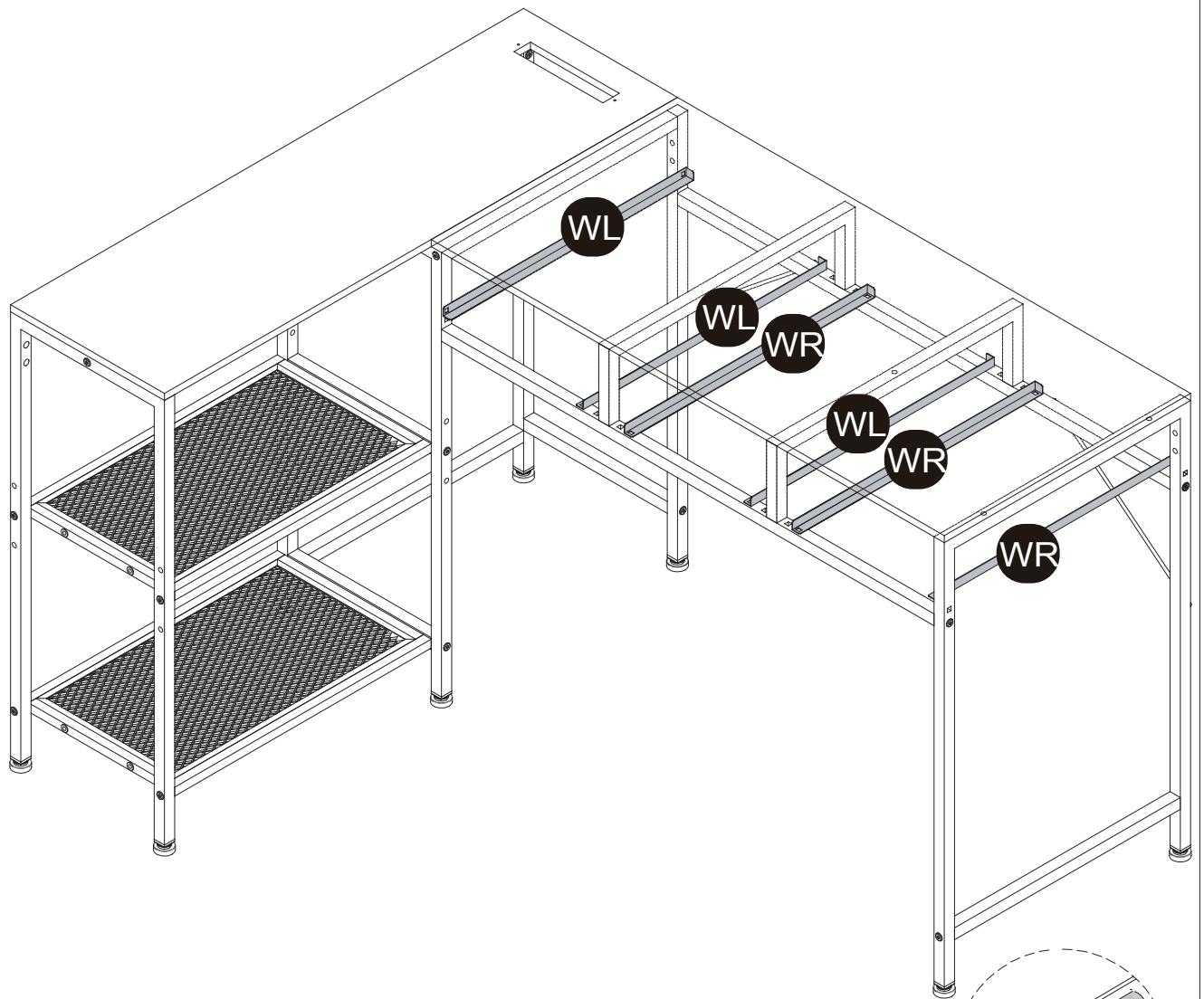


As shown in the picture, please tighten the screws after aligning the desktop.

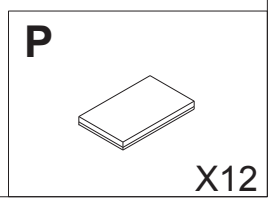
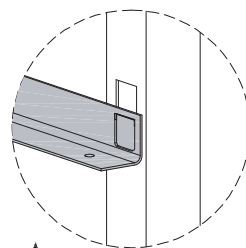
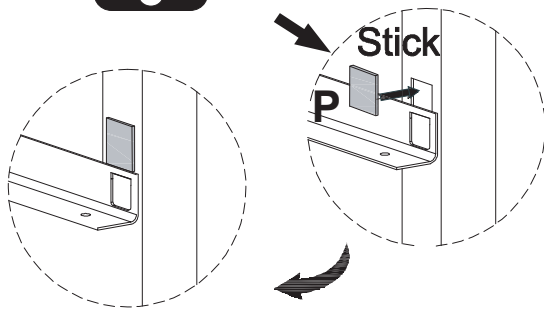


If the desk is shaking, please loose the screws of the pipe, align the desktop and then tighten all the screws.

Step 9

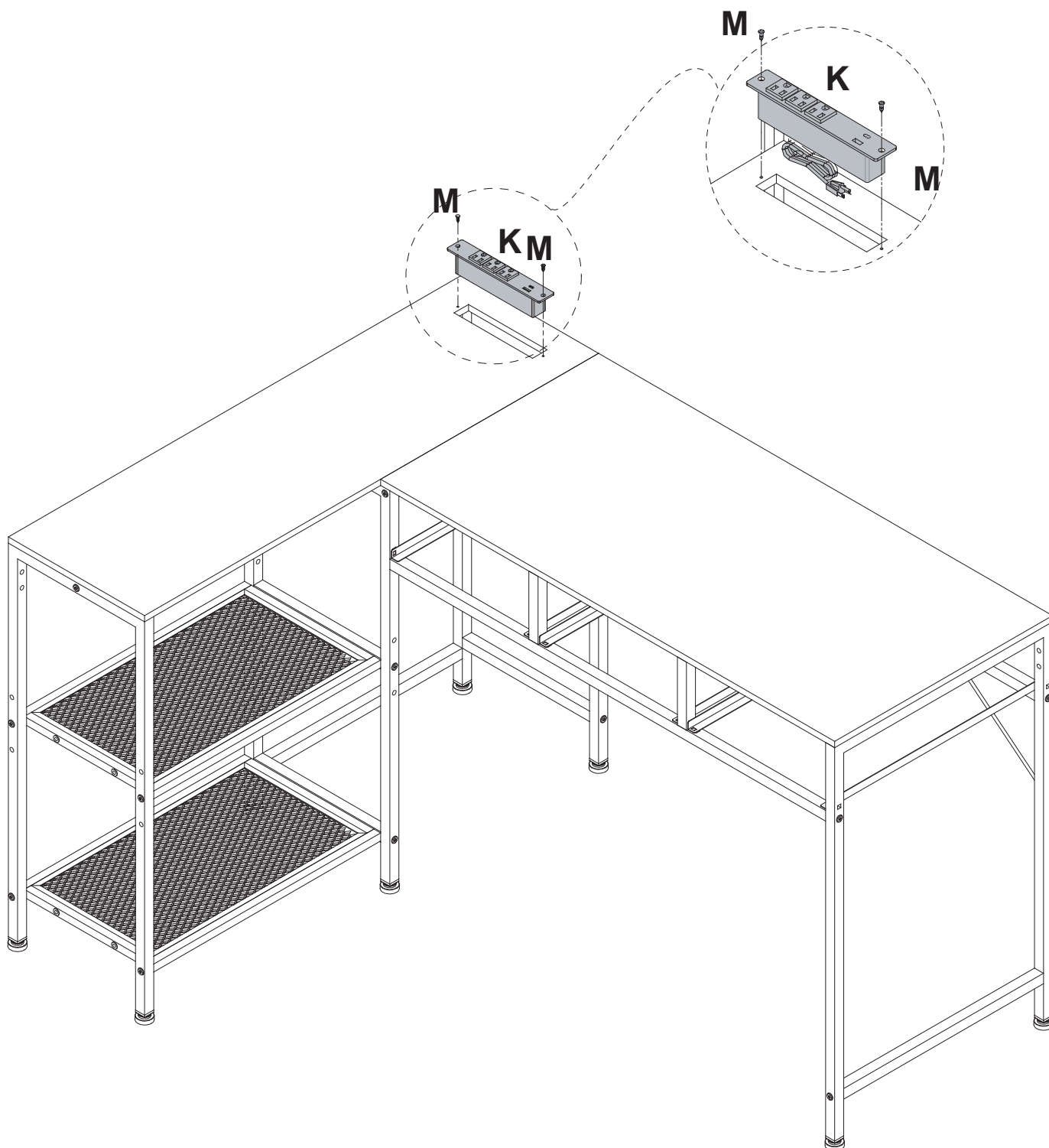


 Stick vertically



X12

Step 10

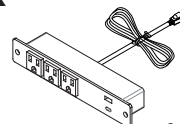


M M3x10mm



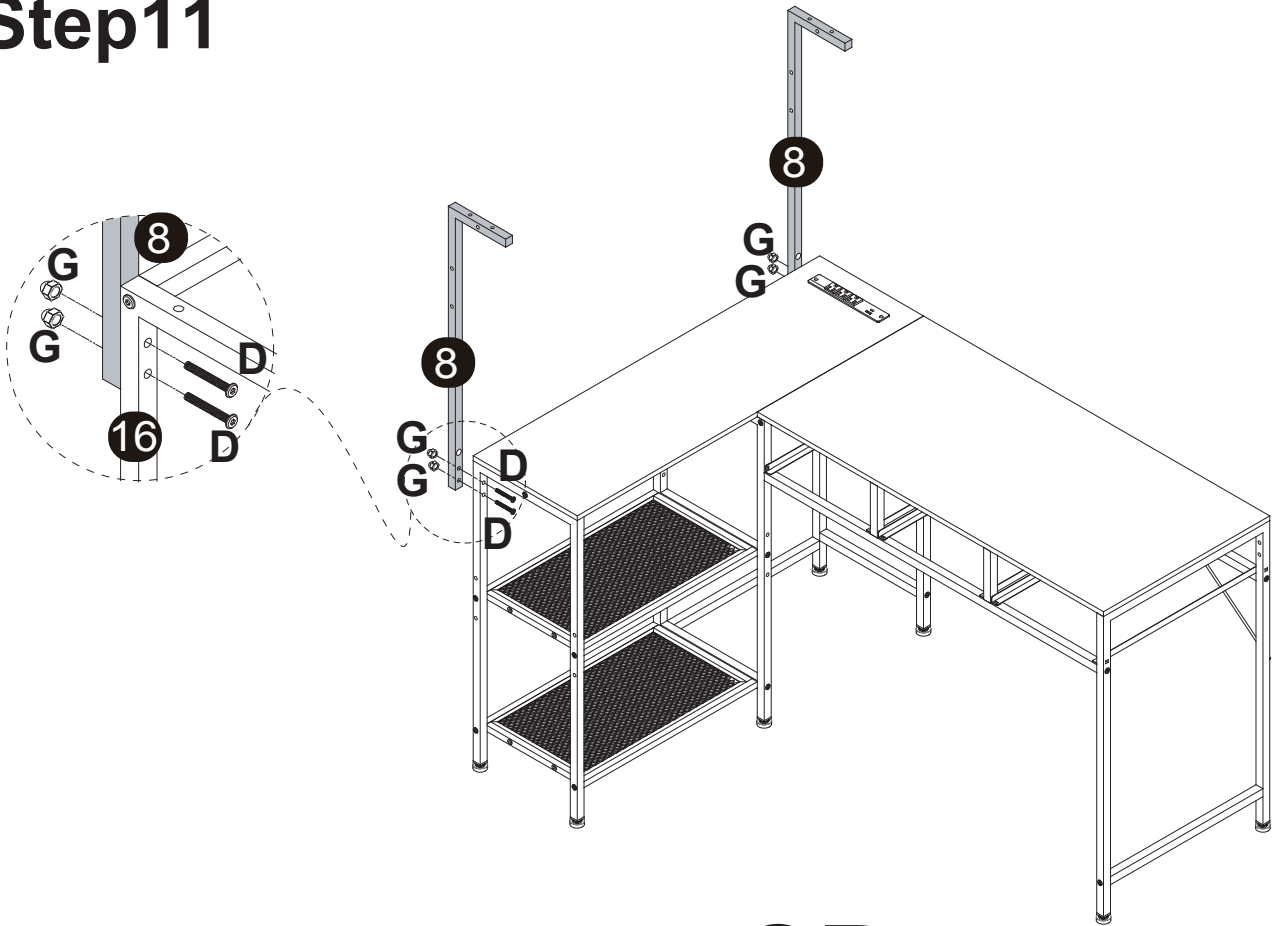
X2

K

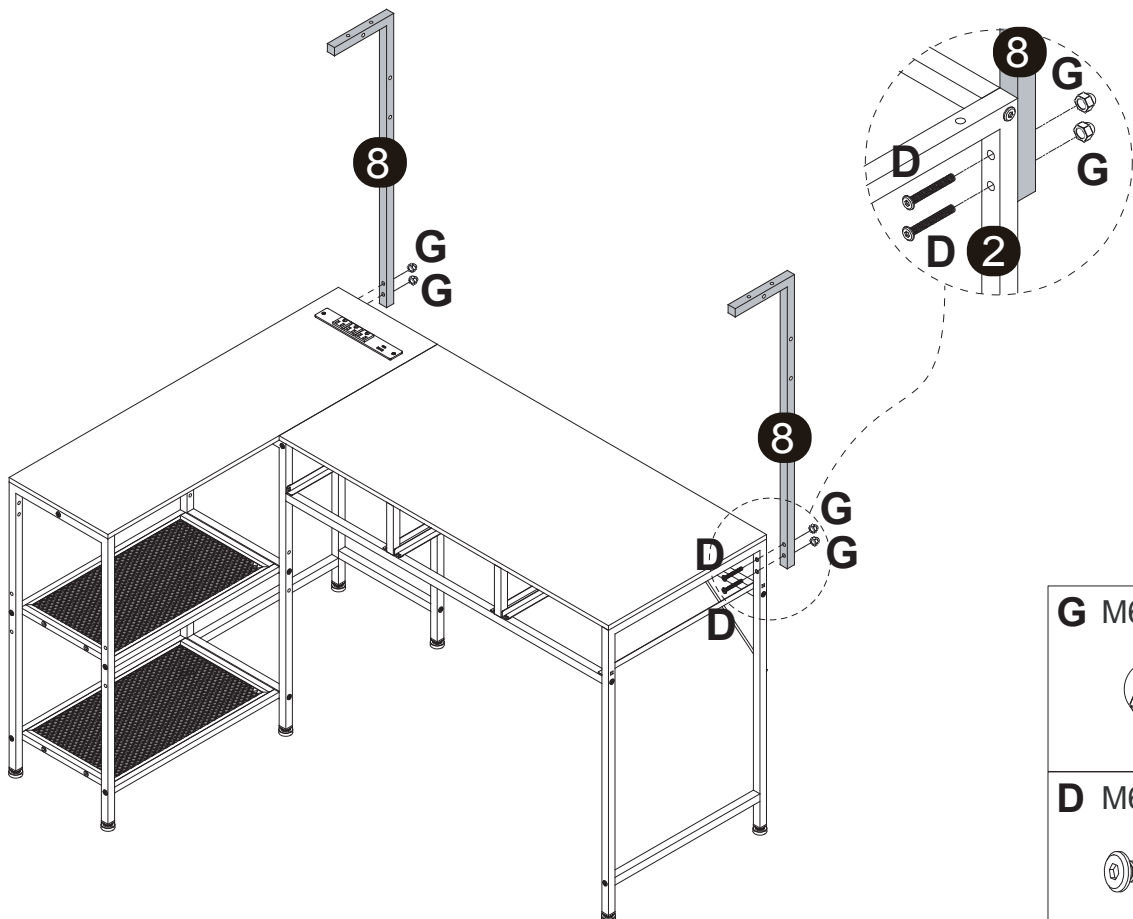


X1

Step 11



OR



G M6mm



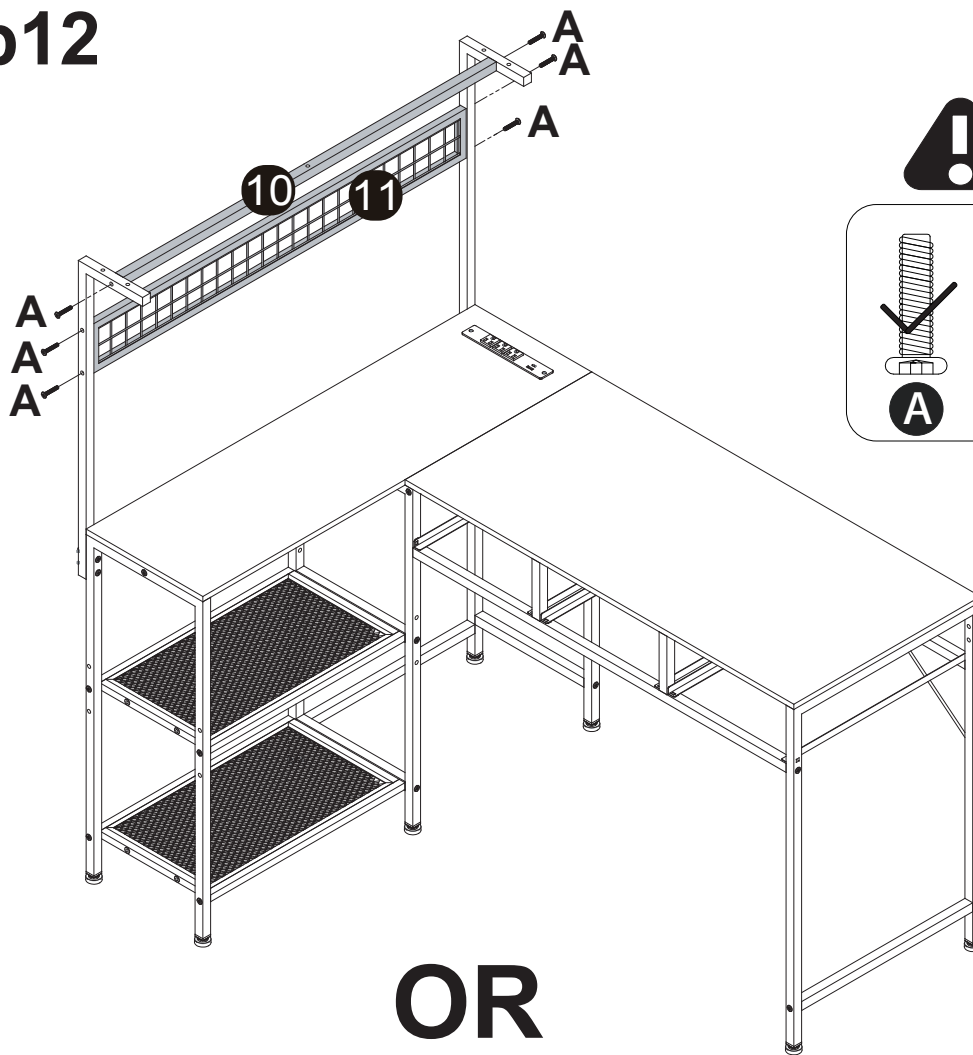
X4

D M6x45mm

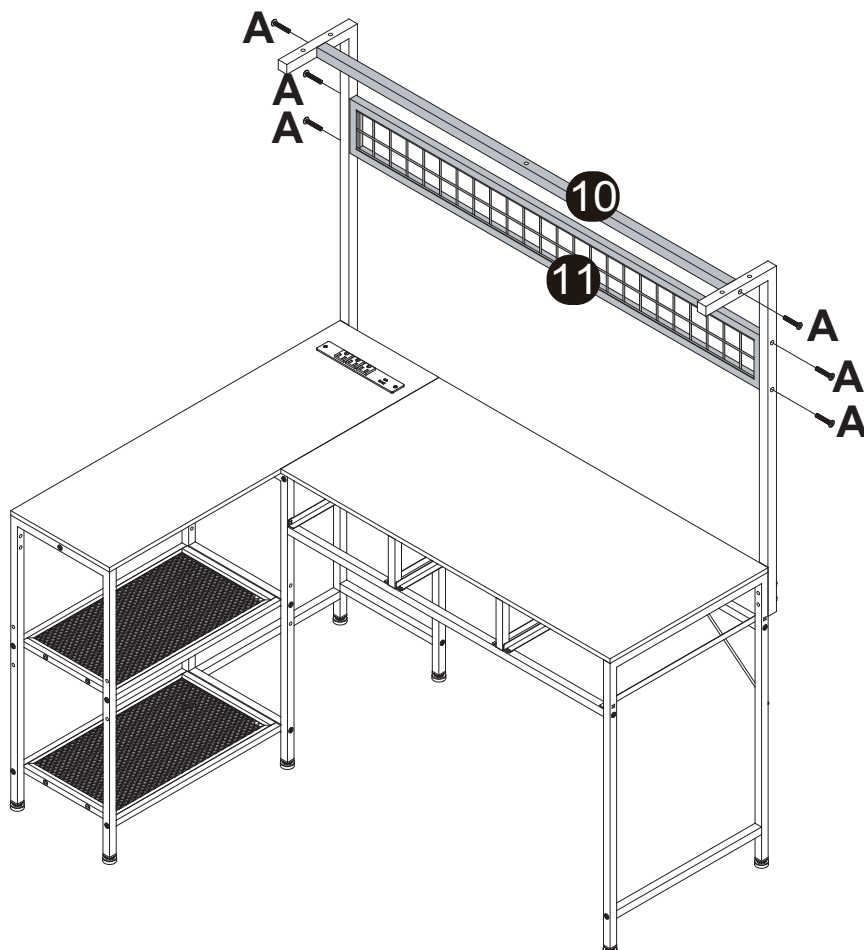


X4

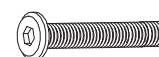
Step 12



OR

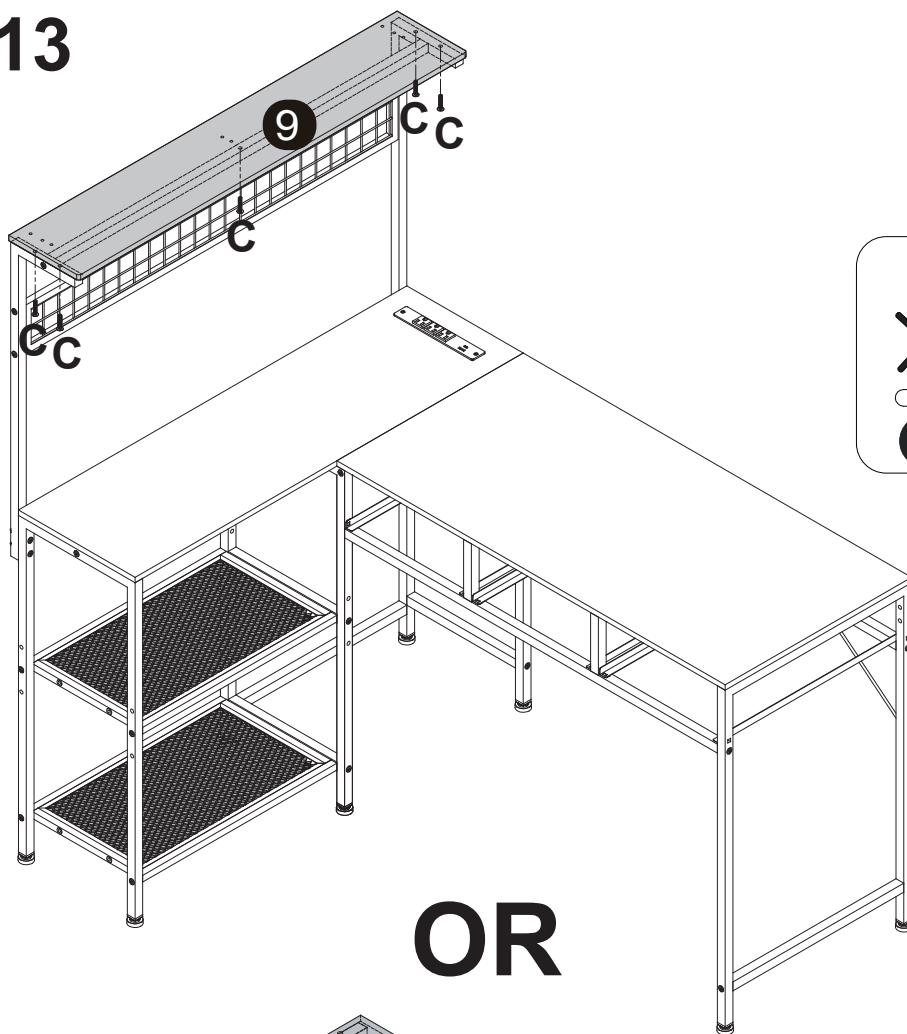


A M6x33mm

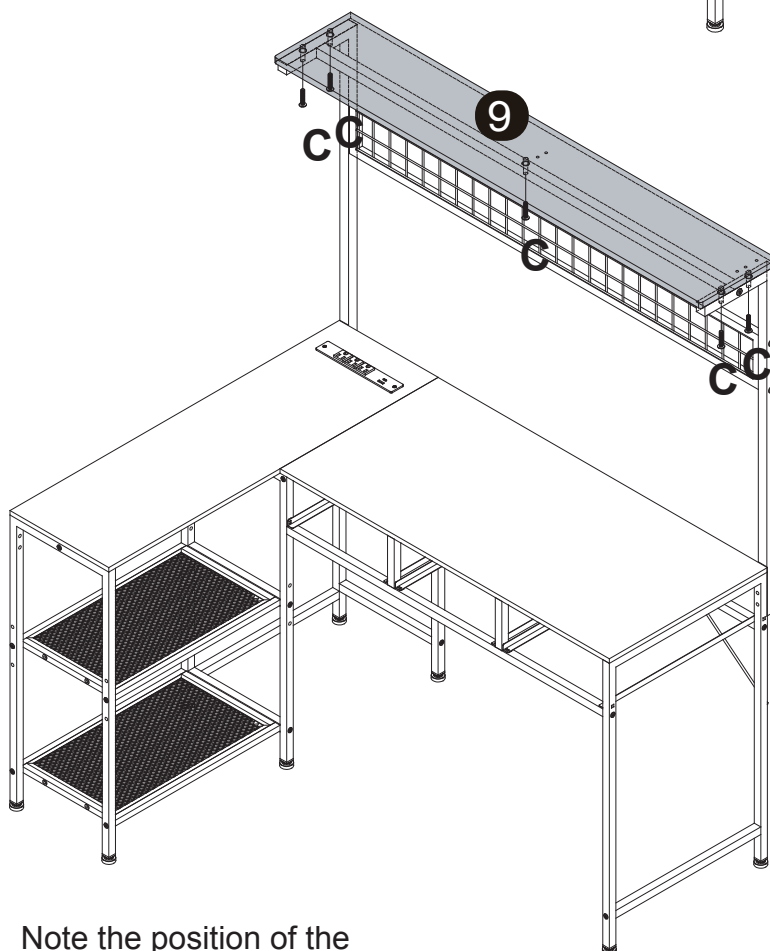


X6

Step 13



OR



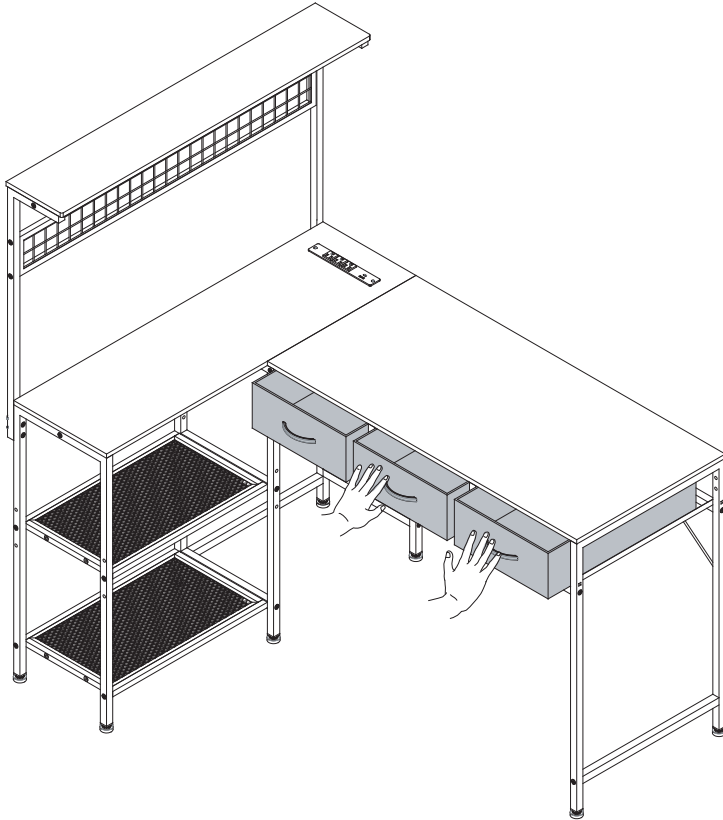
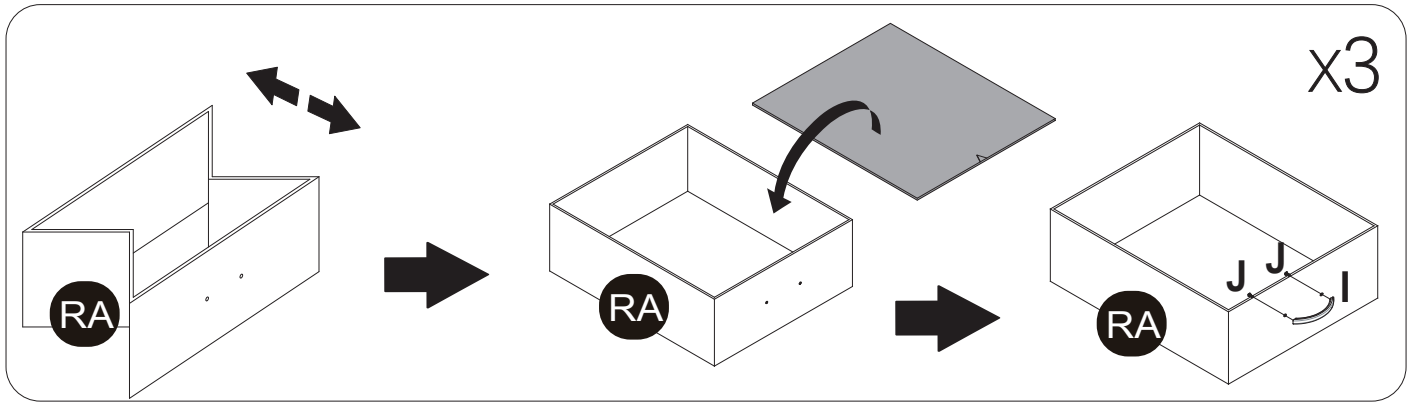
Note the position of the small hole on the back of Part 9!

C M6x28mm

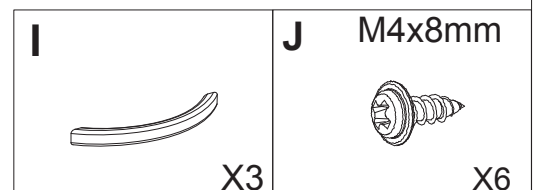
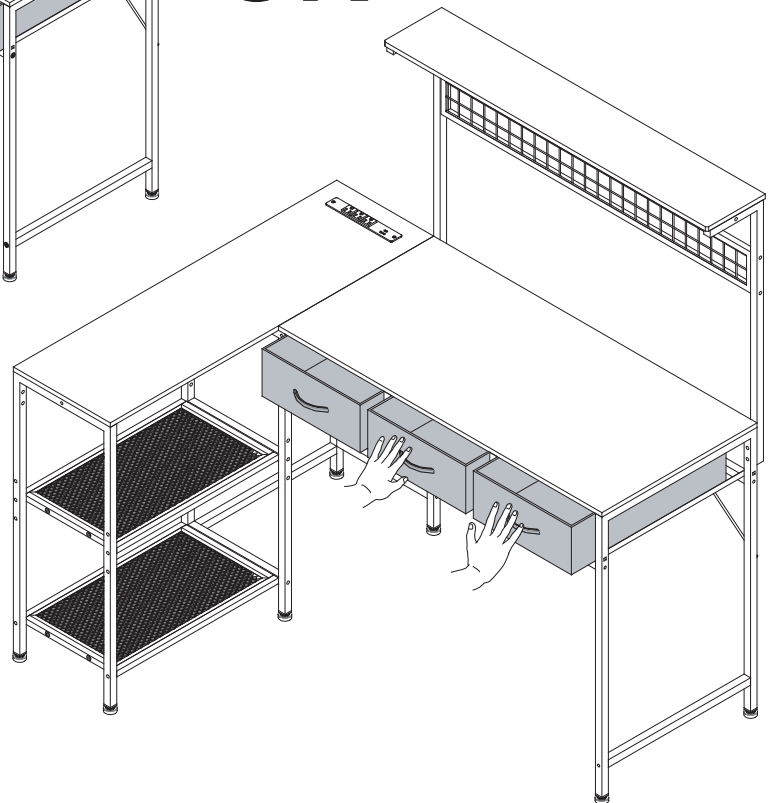


X5

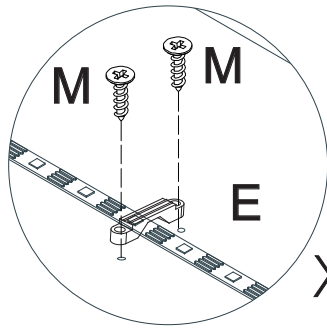
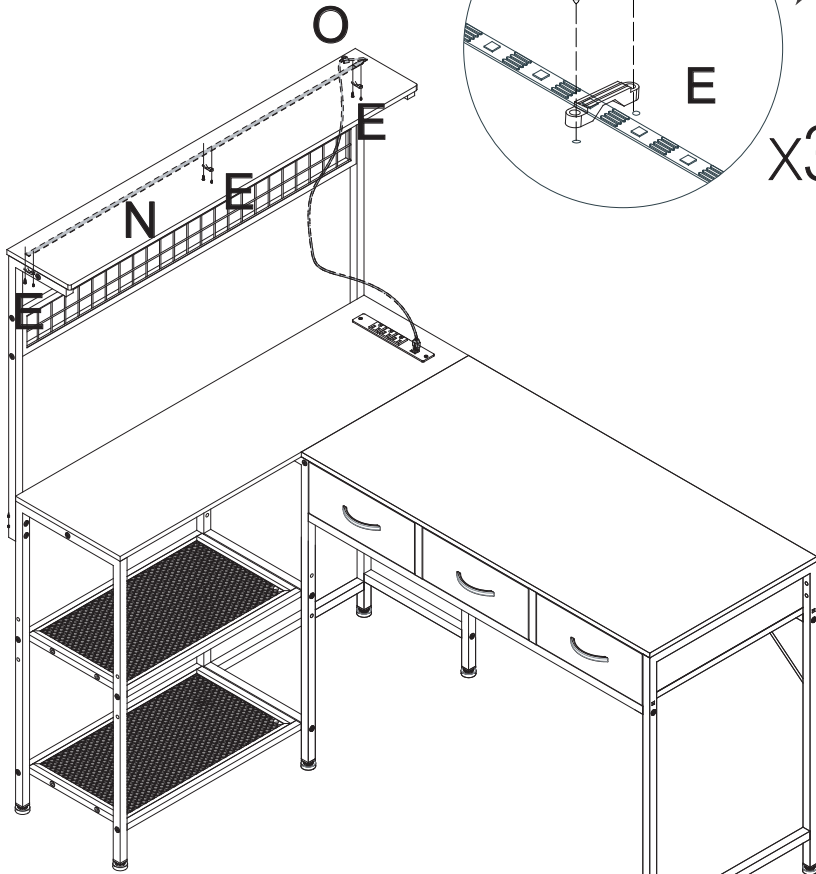
Step14



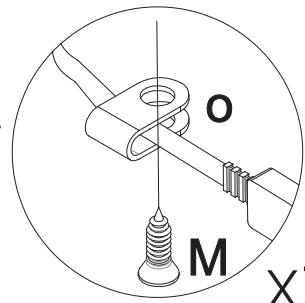
OR



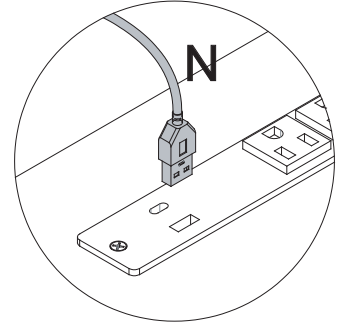
Step15



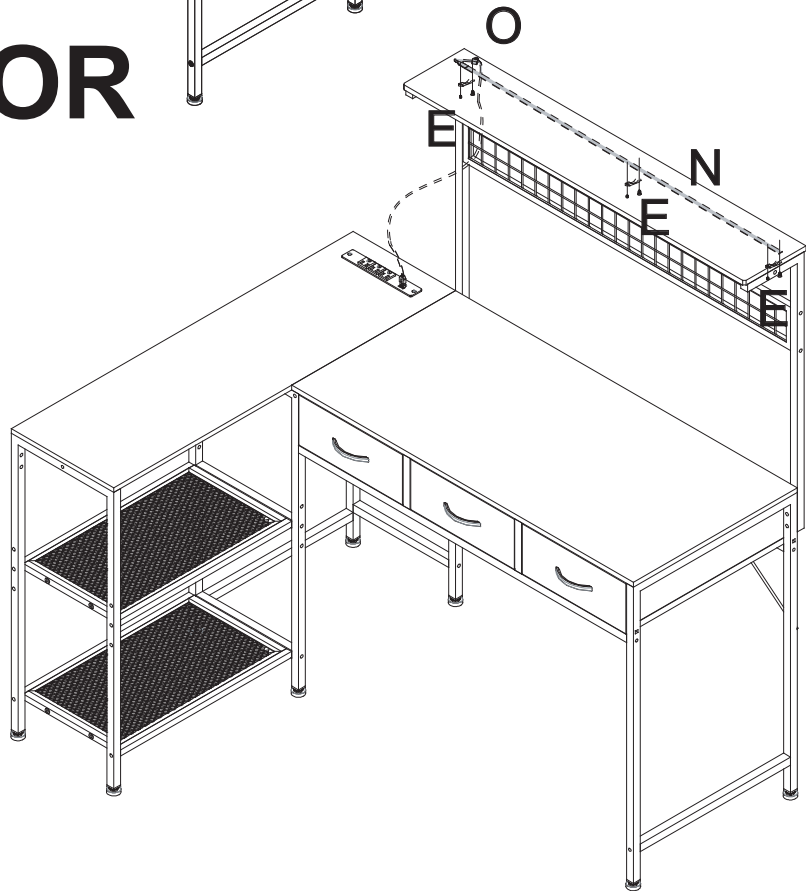
x3

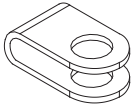
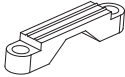

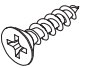


x1

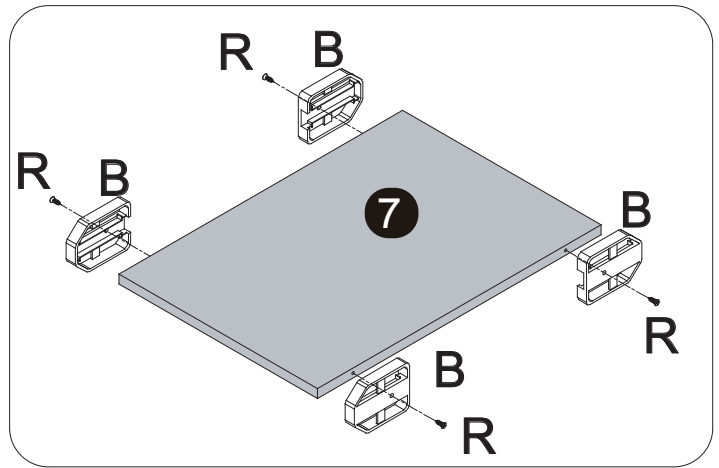
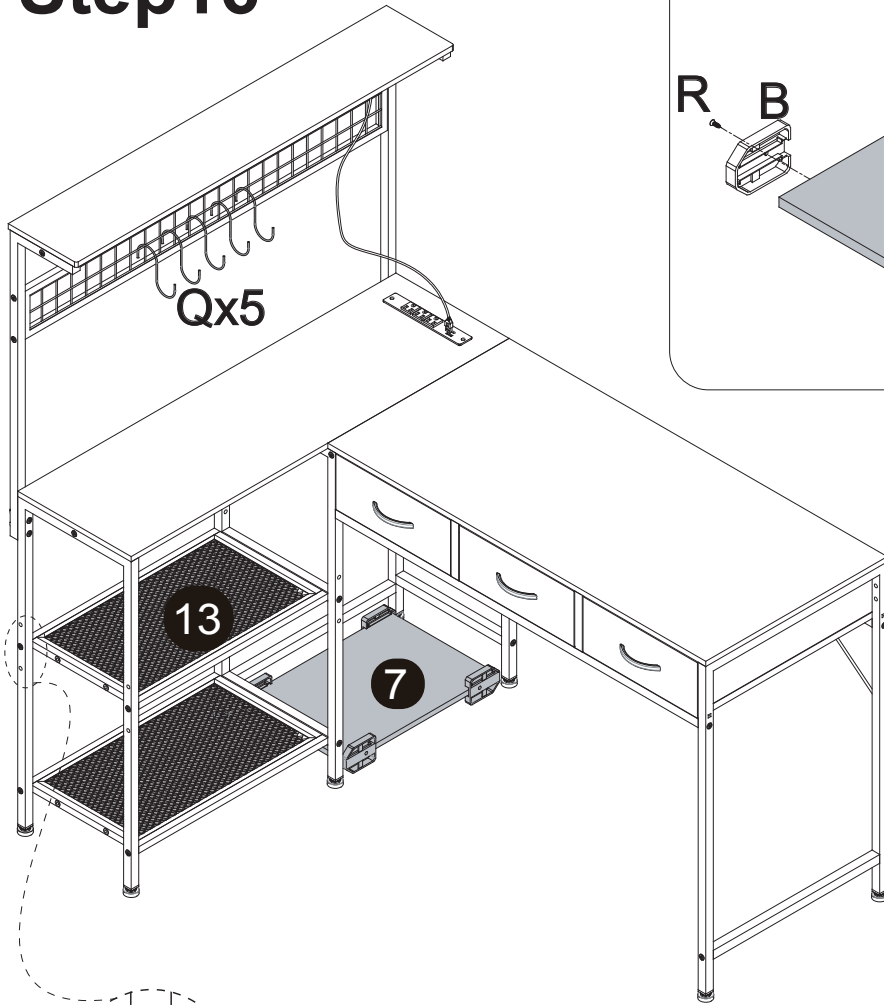


OR

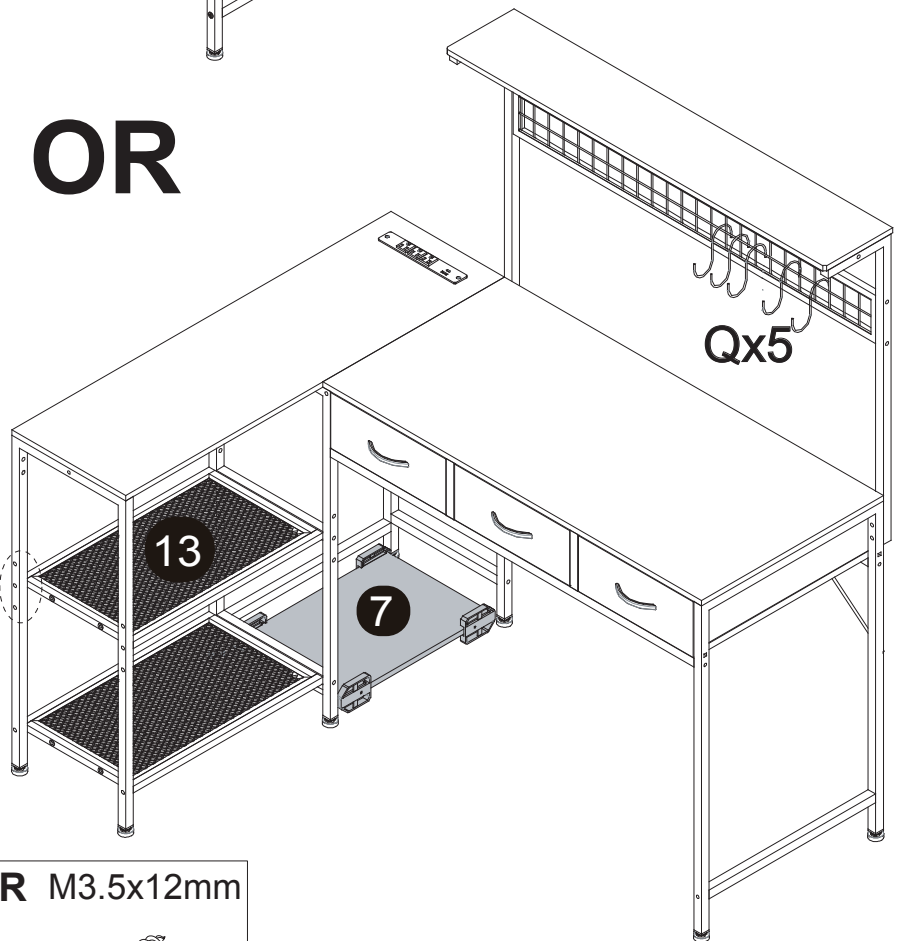
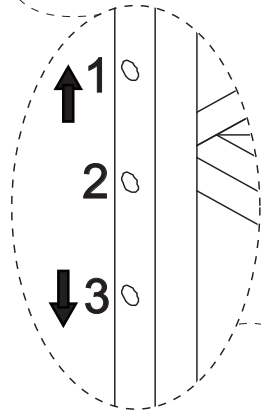


<p>O</p>  <p>X1</p>	<p>E</p>  <p>X3</p>	<p>N</p>  <p>X1</p>	<p>M M3x10mm</p>  <p>X7</p>
---	---	---	---

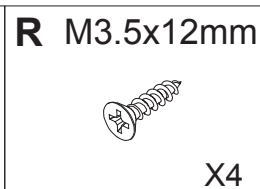
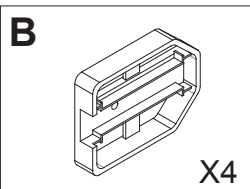
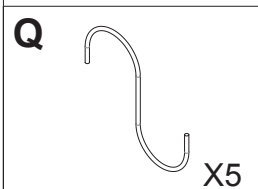
Step 16



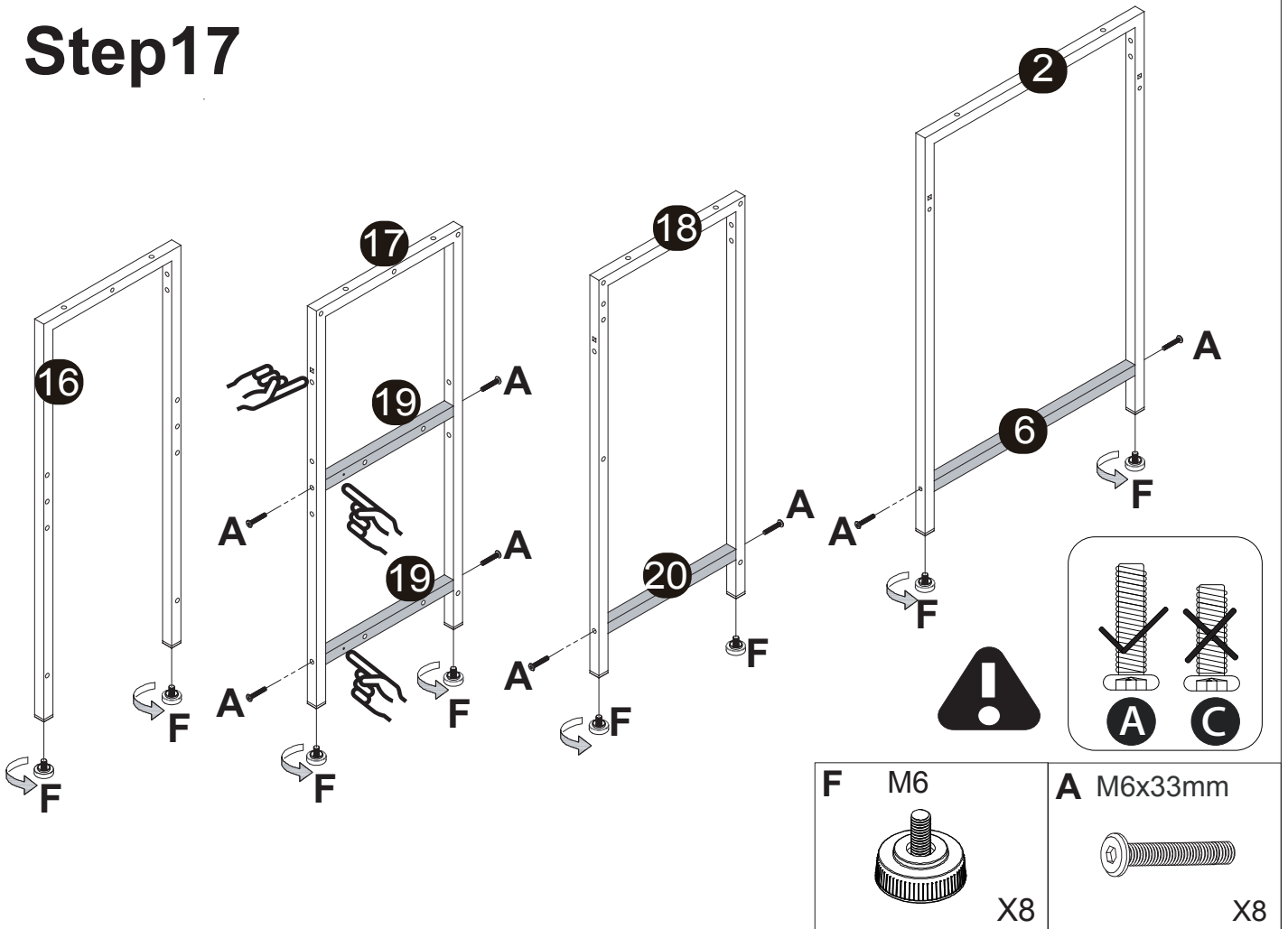
OR



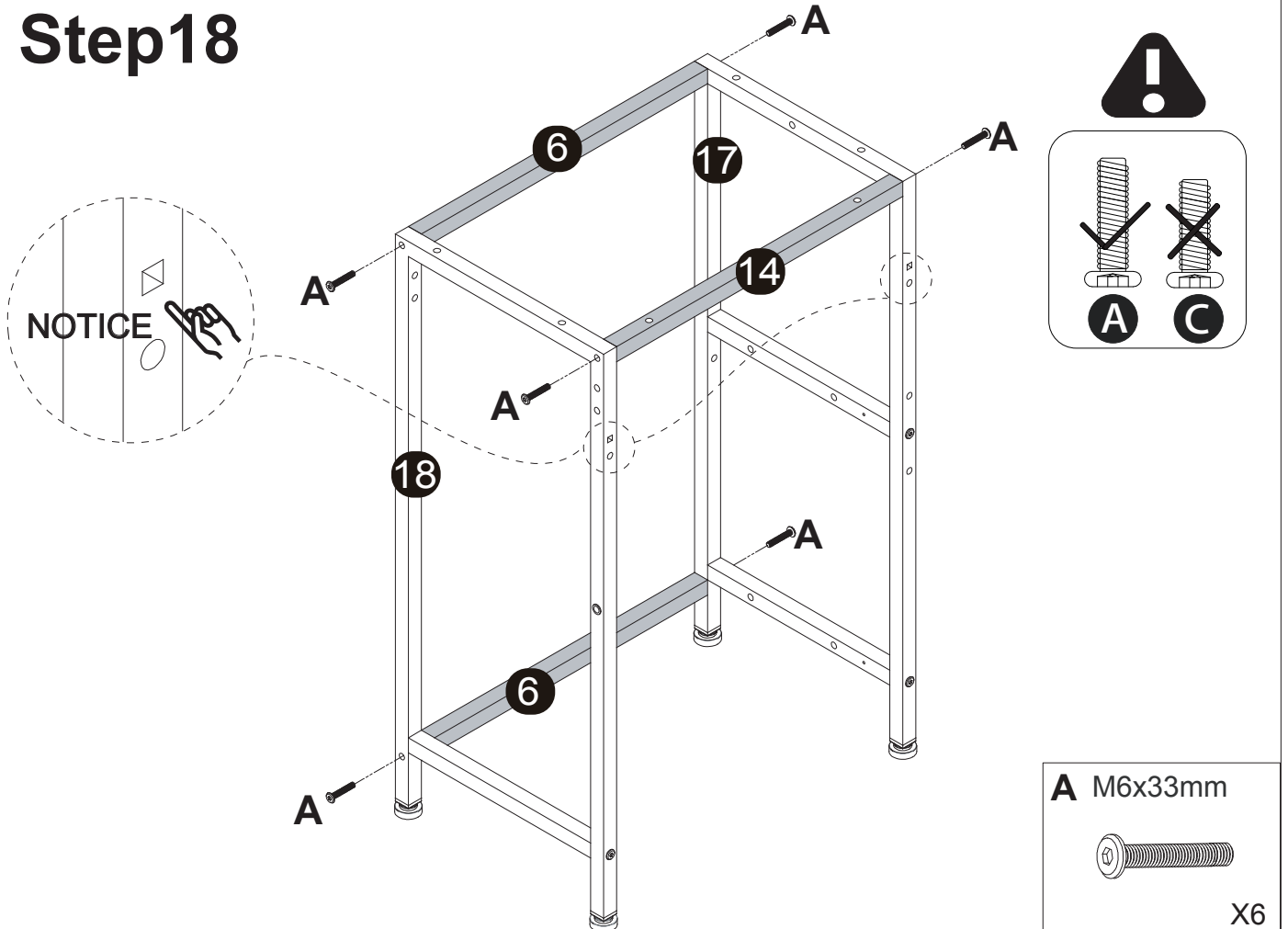
The height of Part 13 can be adjusted as needed!



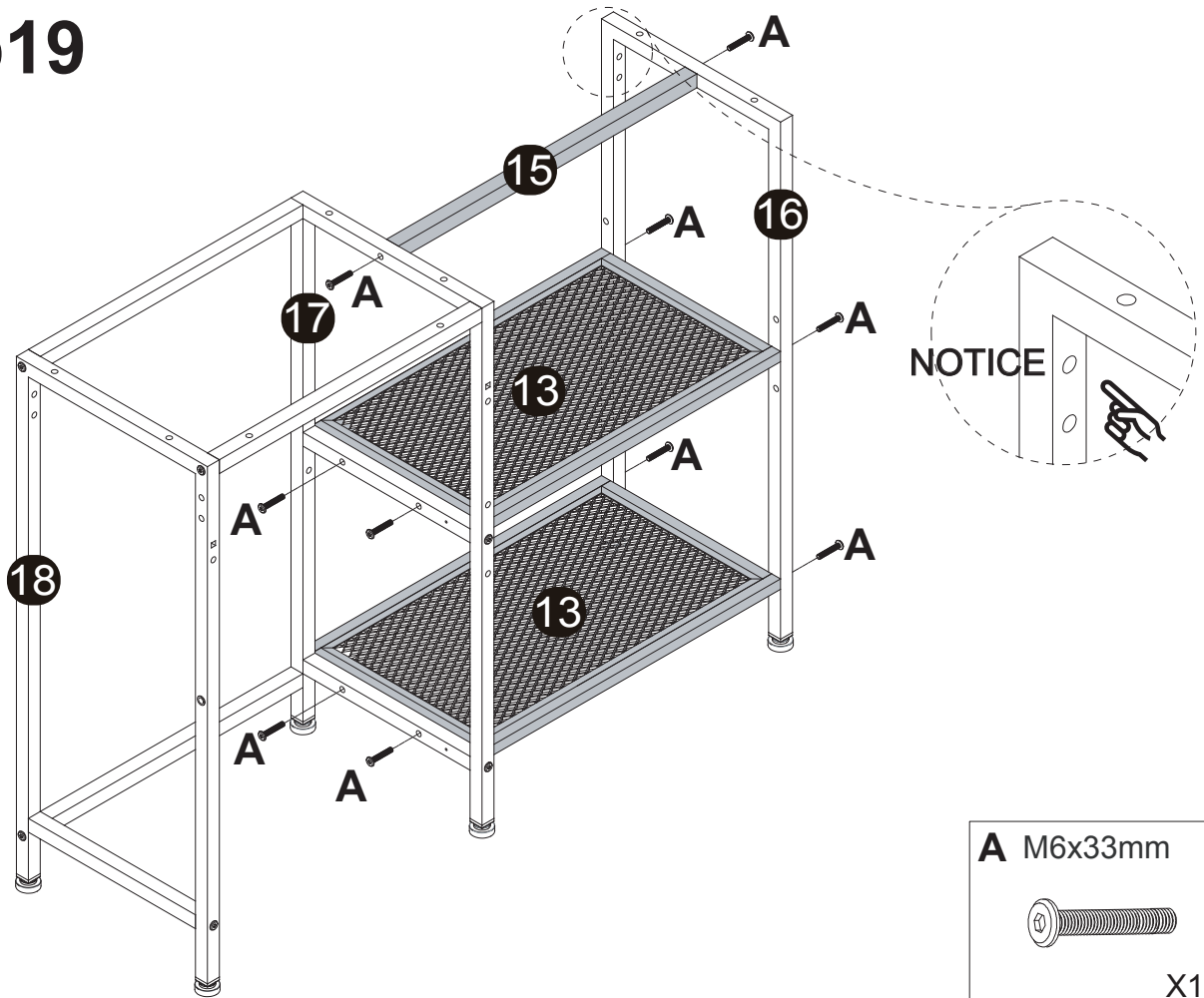
Step17



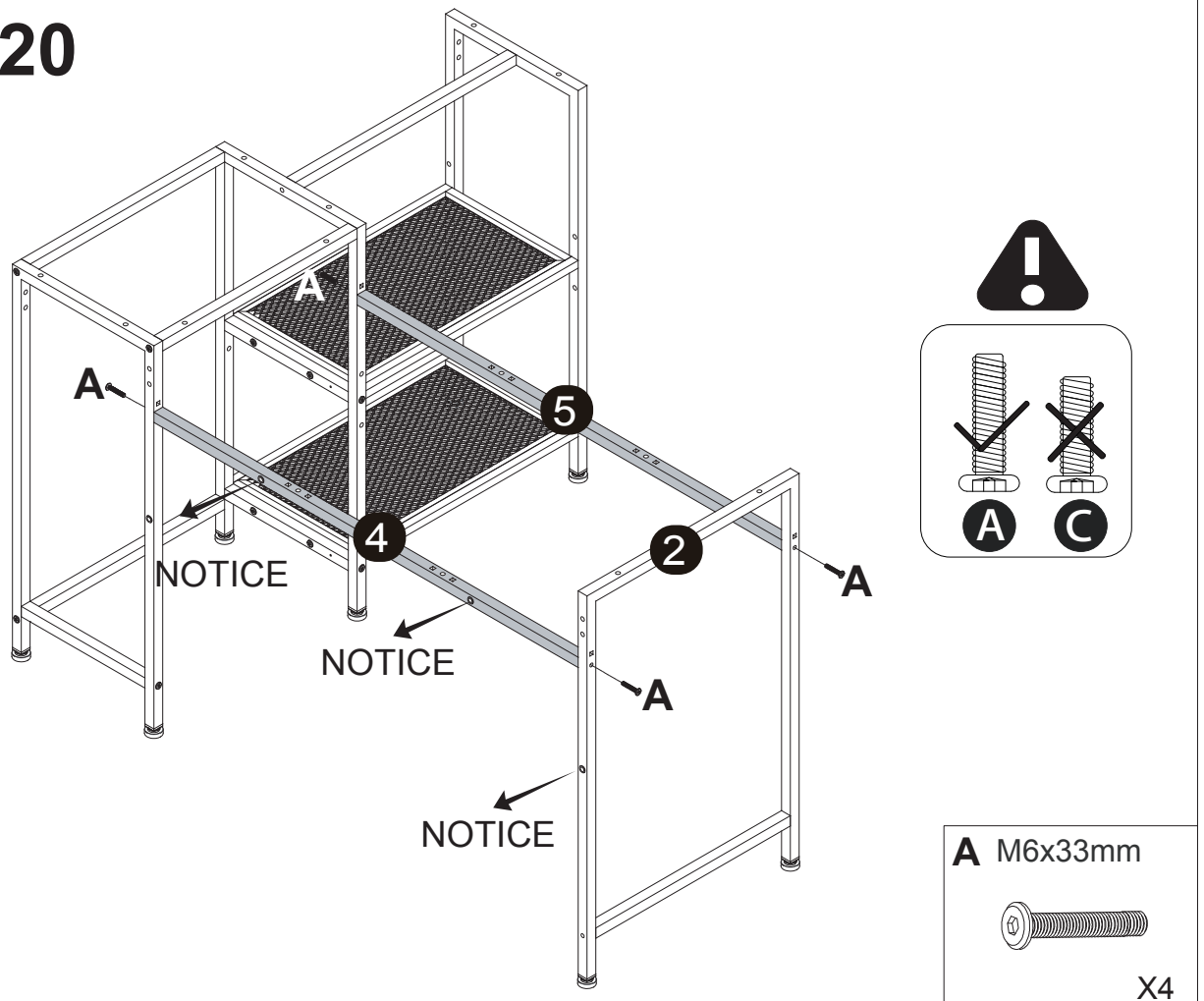
Step18



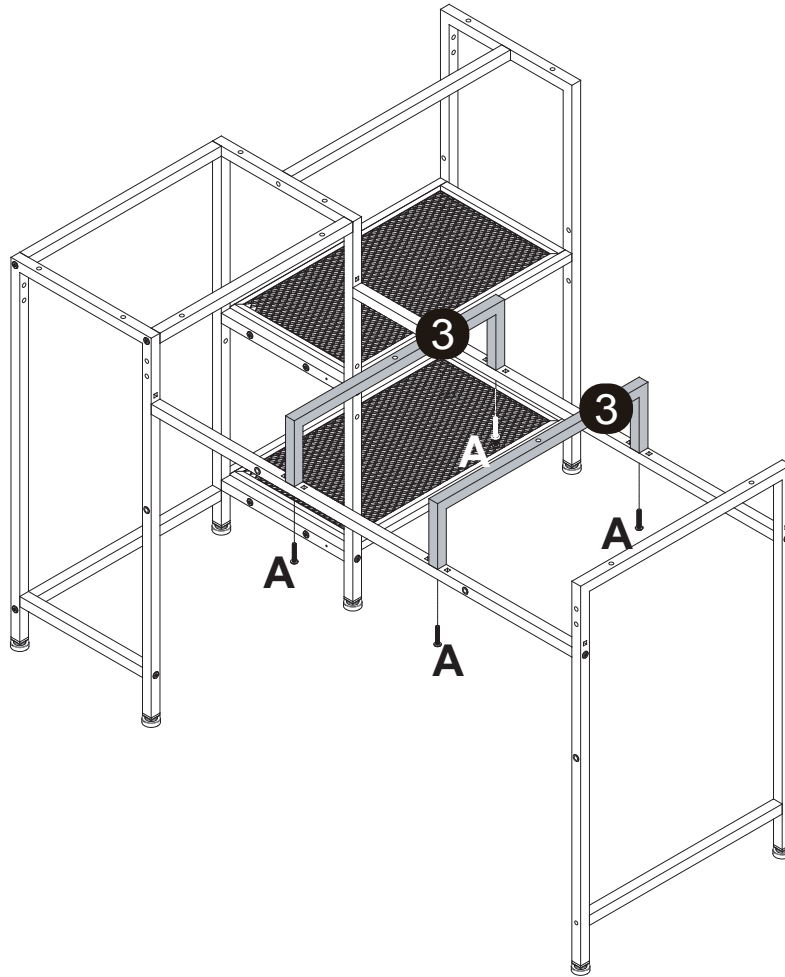
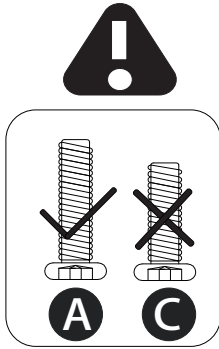
Step19



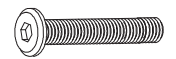
Step20



Step21

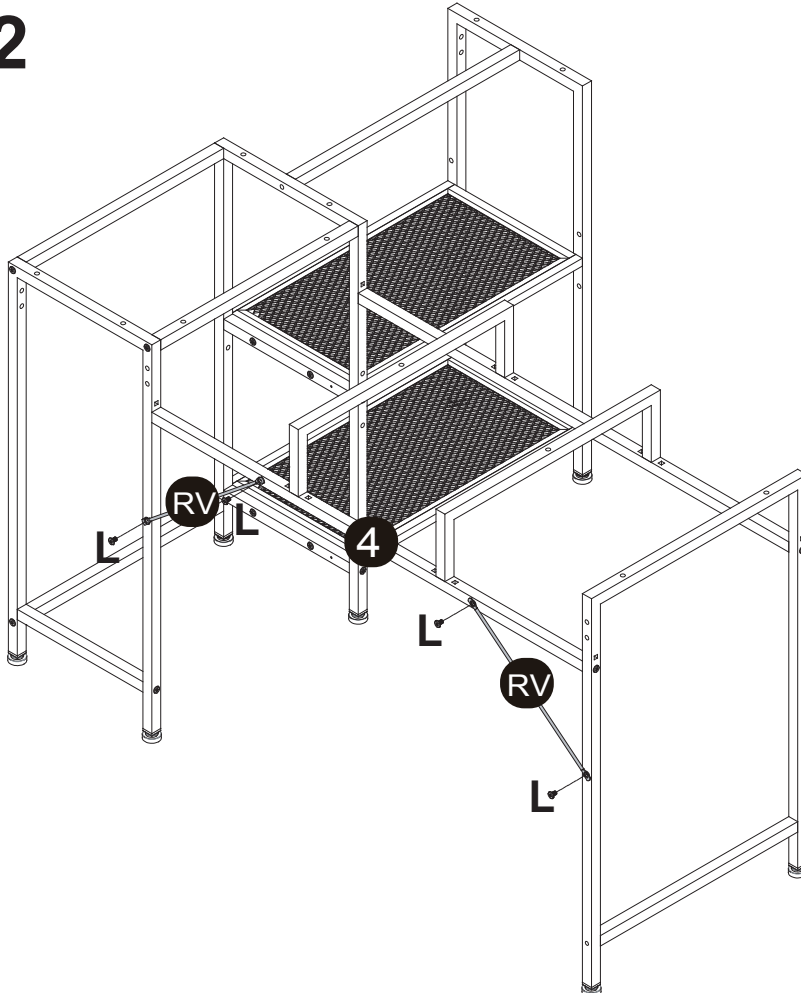


A M6x33mm

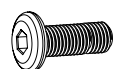


X4

Step22

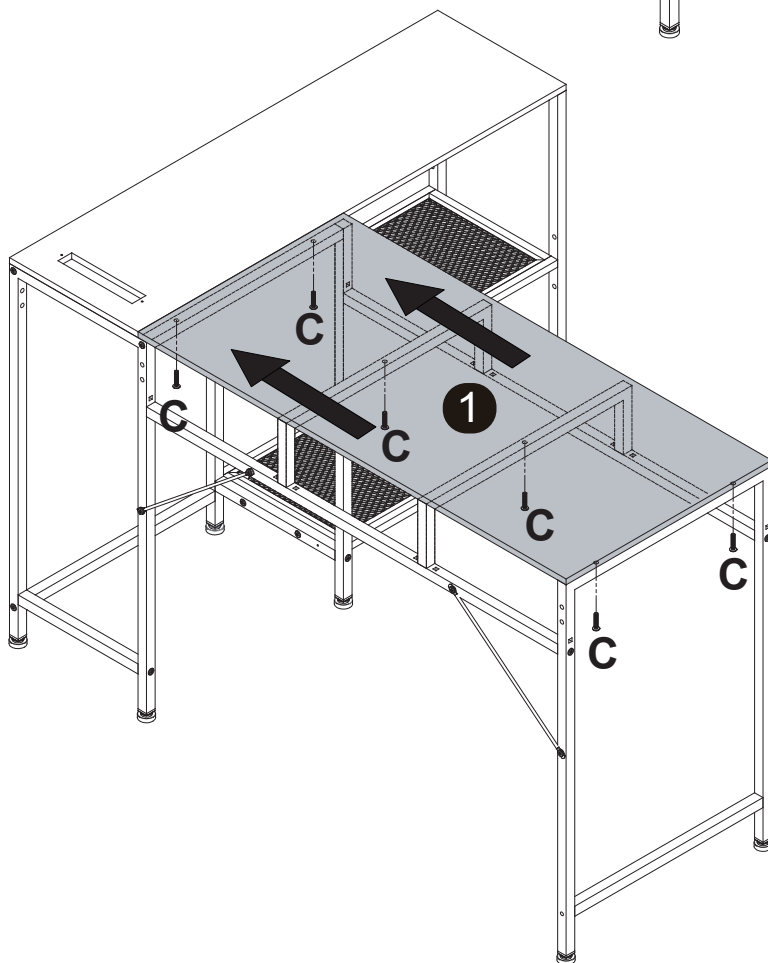
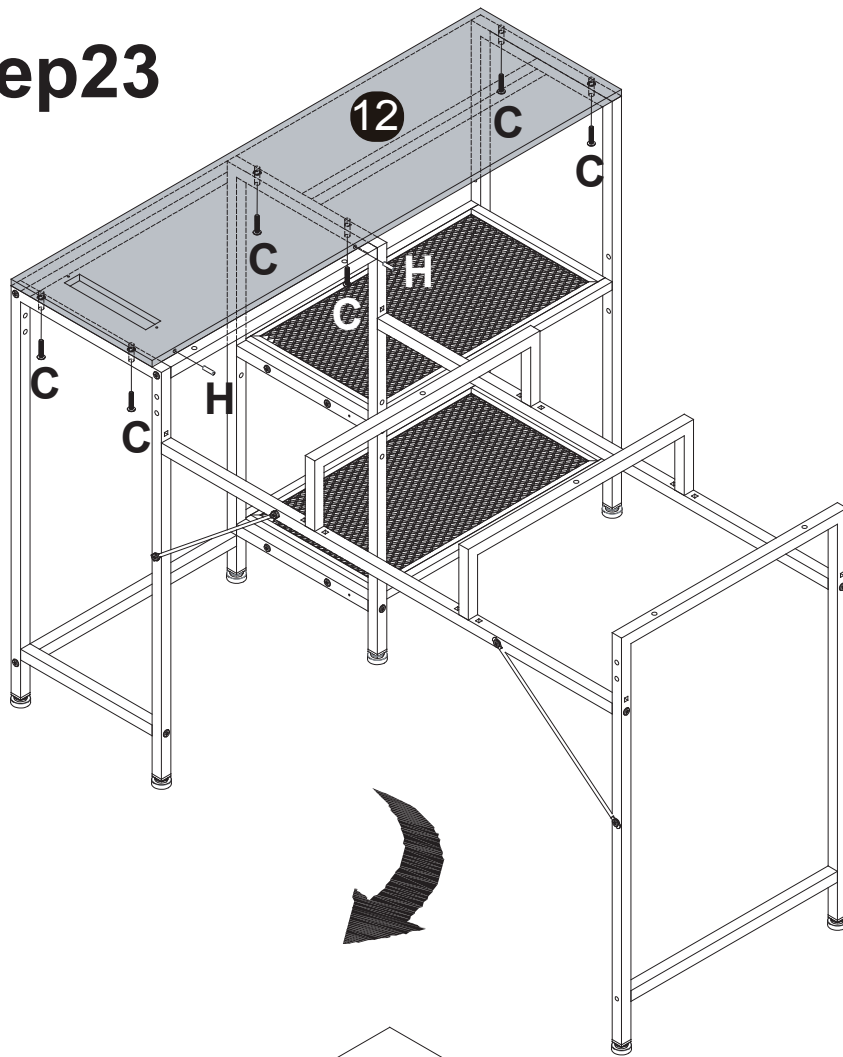


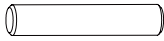

L M6x16mm



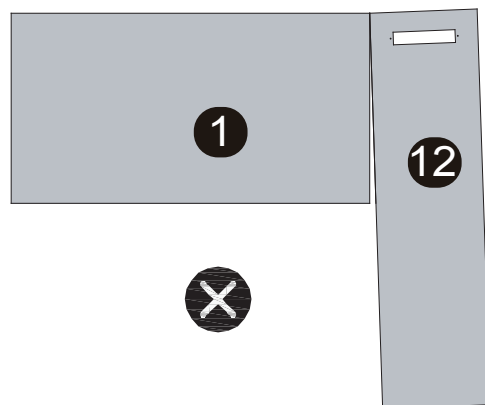
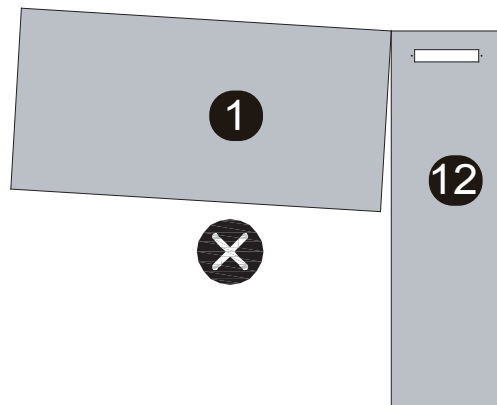
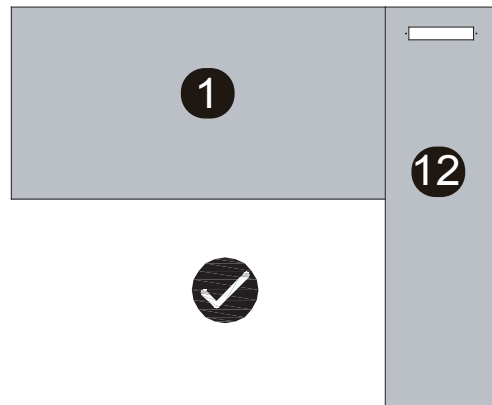
X4

Step 23

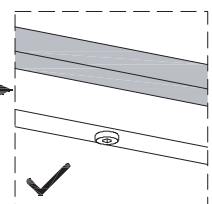
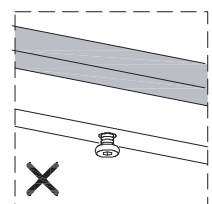
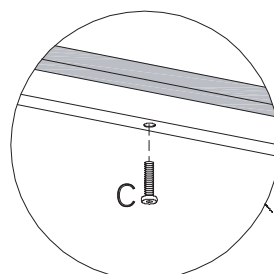


H M6x30mm  X2	C M6x28mm  X12
---	--

Step24

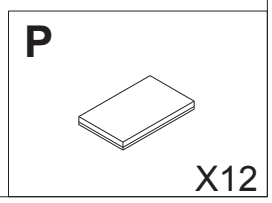
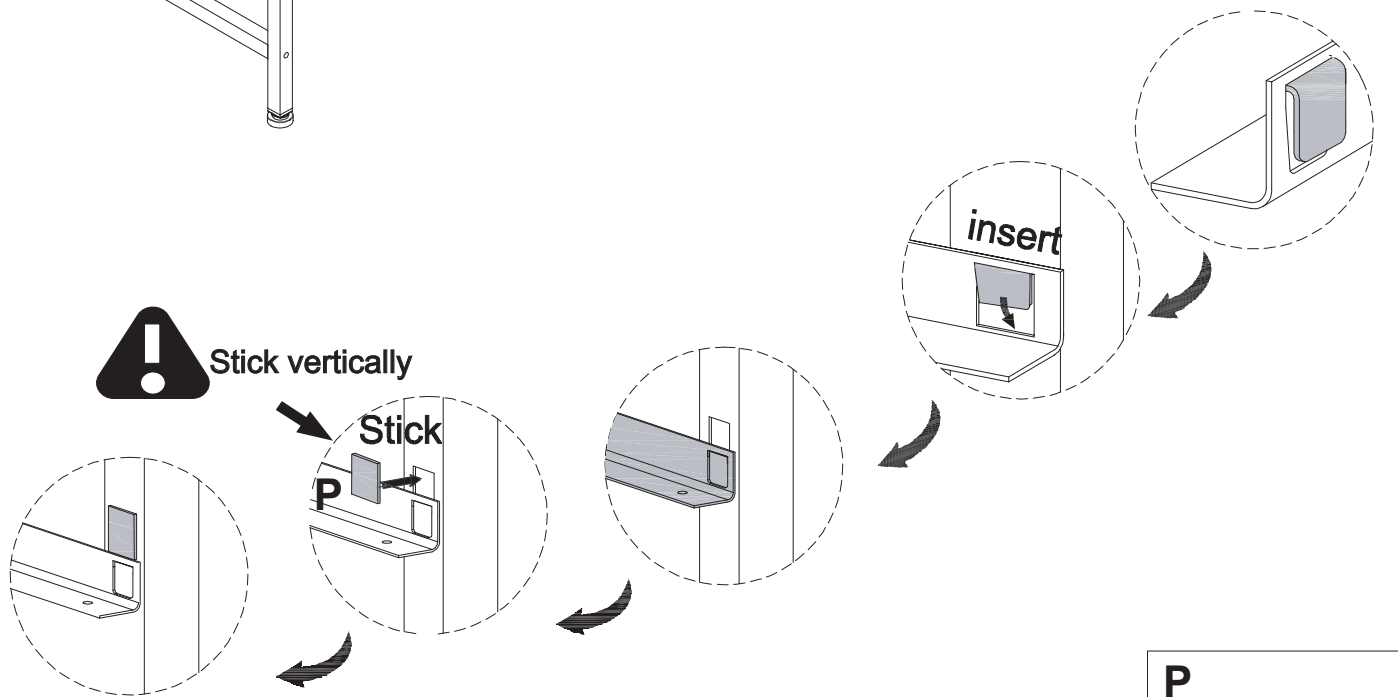
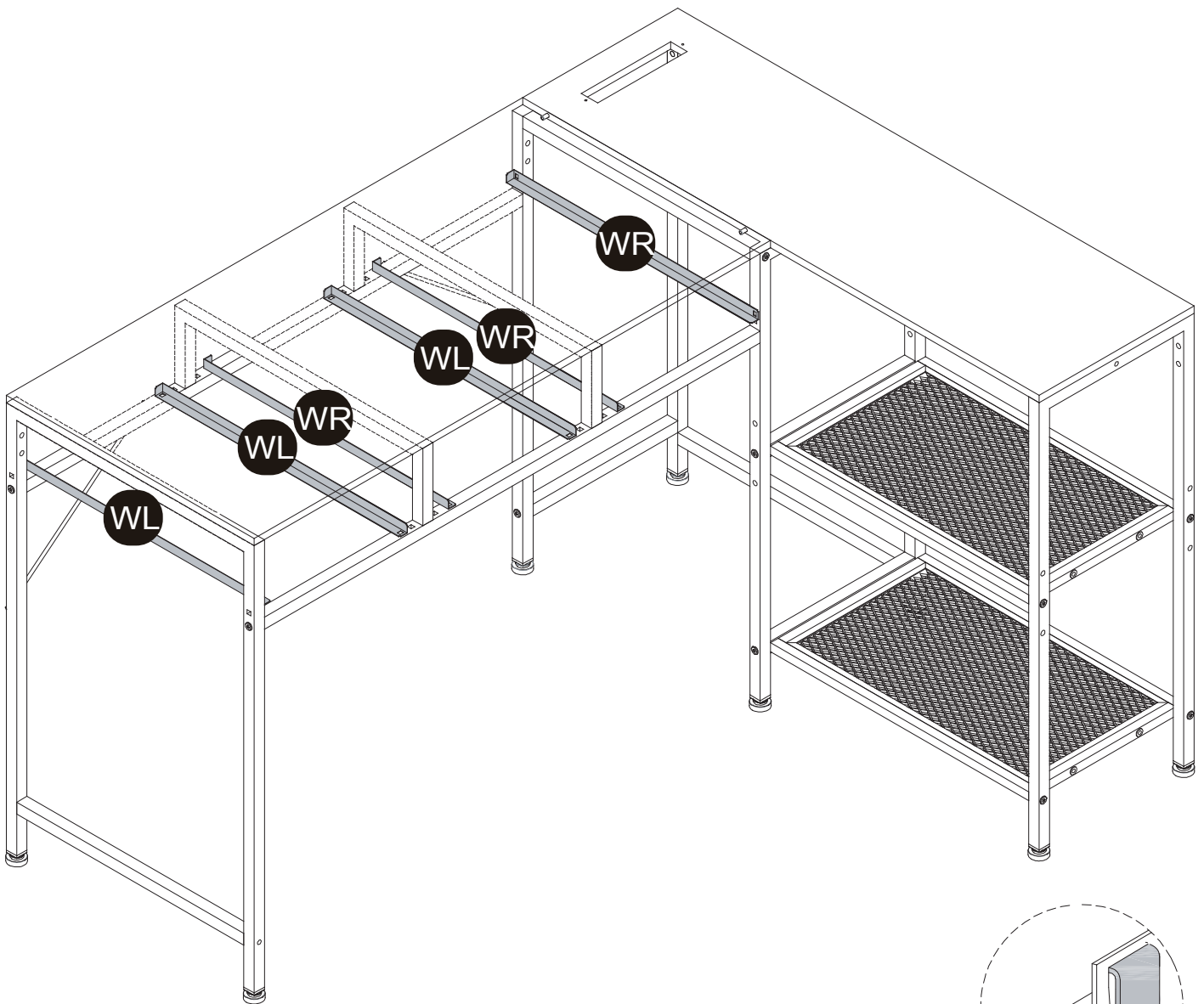


As shown in the picture, please tighten the screws after aligning the desktop.

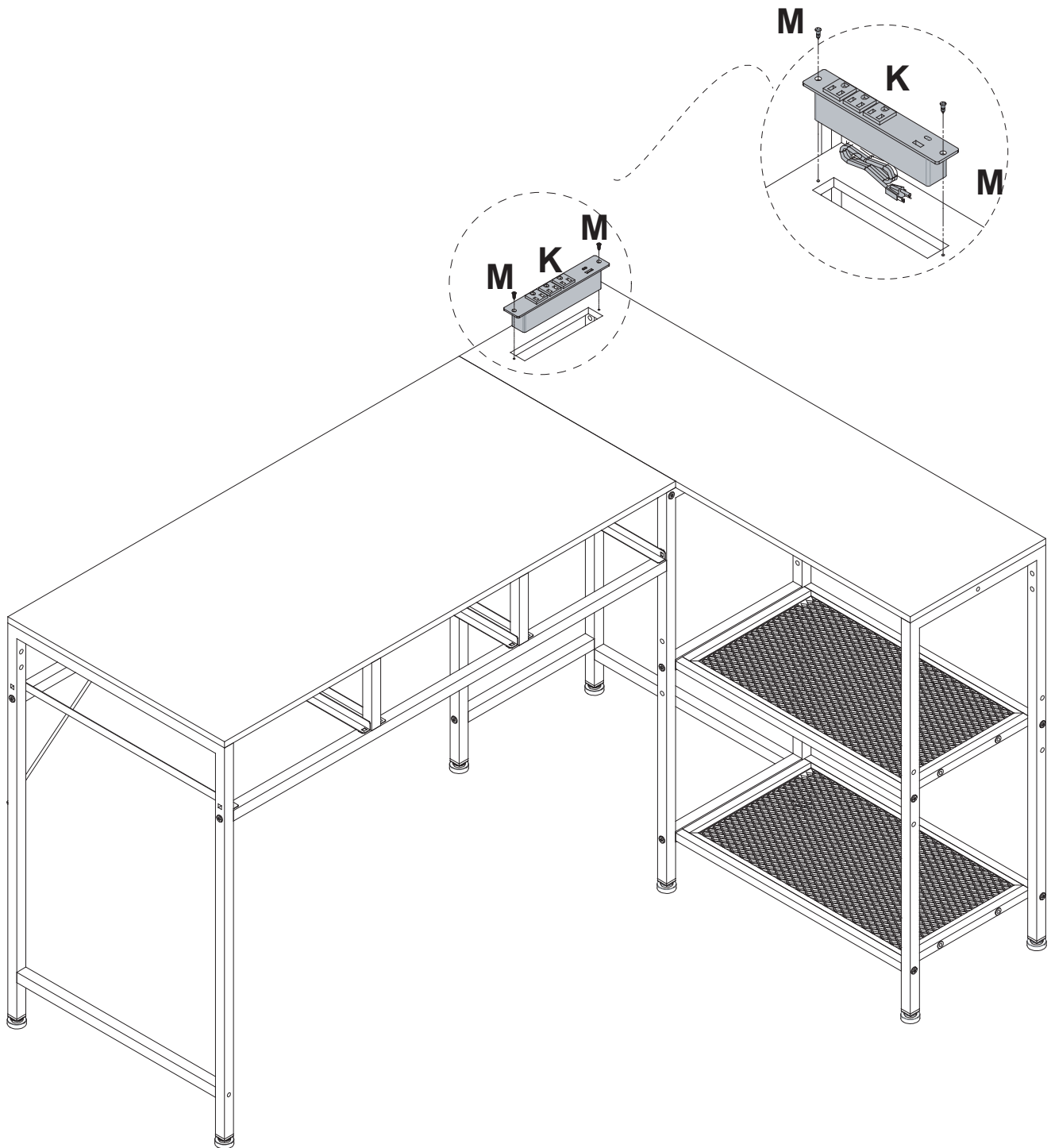


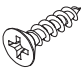
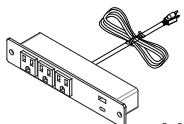
If the desk is shaking, please loose the screws of the pipe, align the desktop and then tighten all the screws.

Step 25

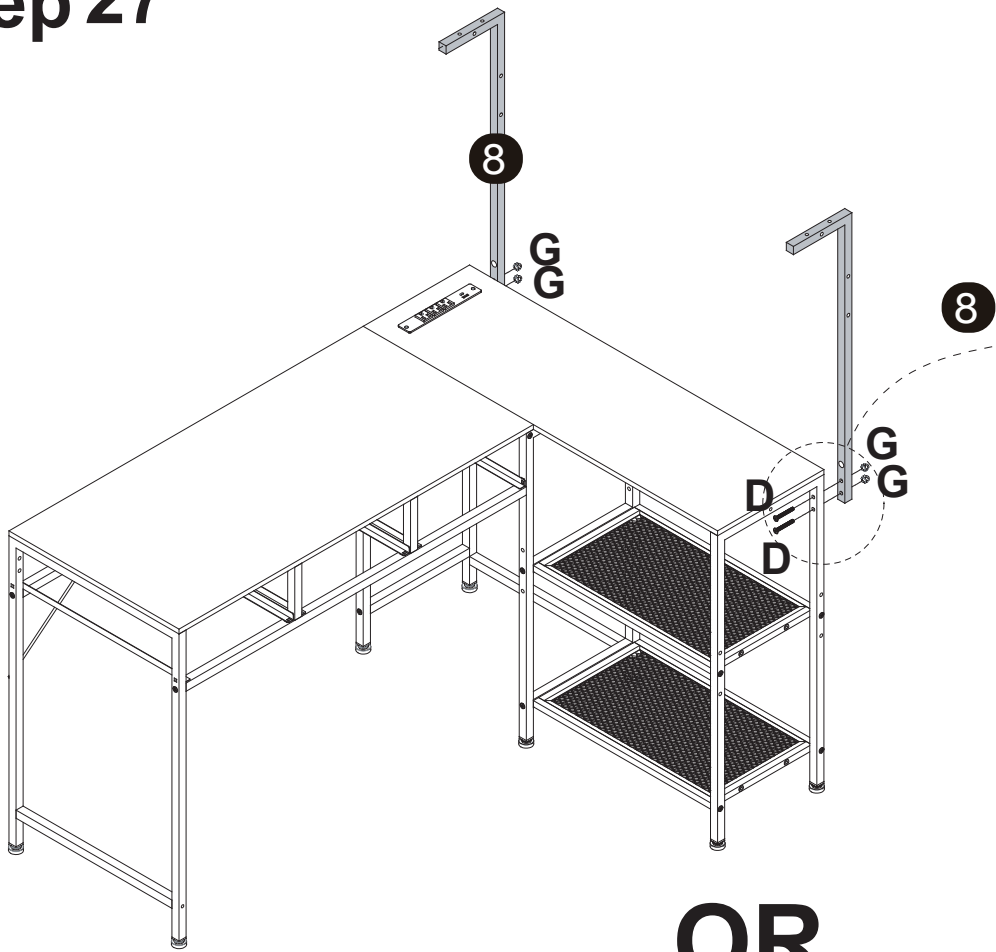


Step 26

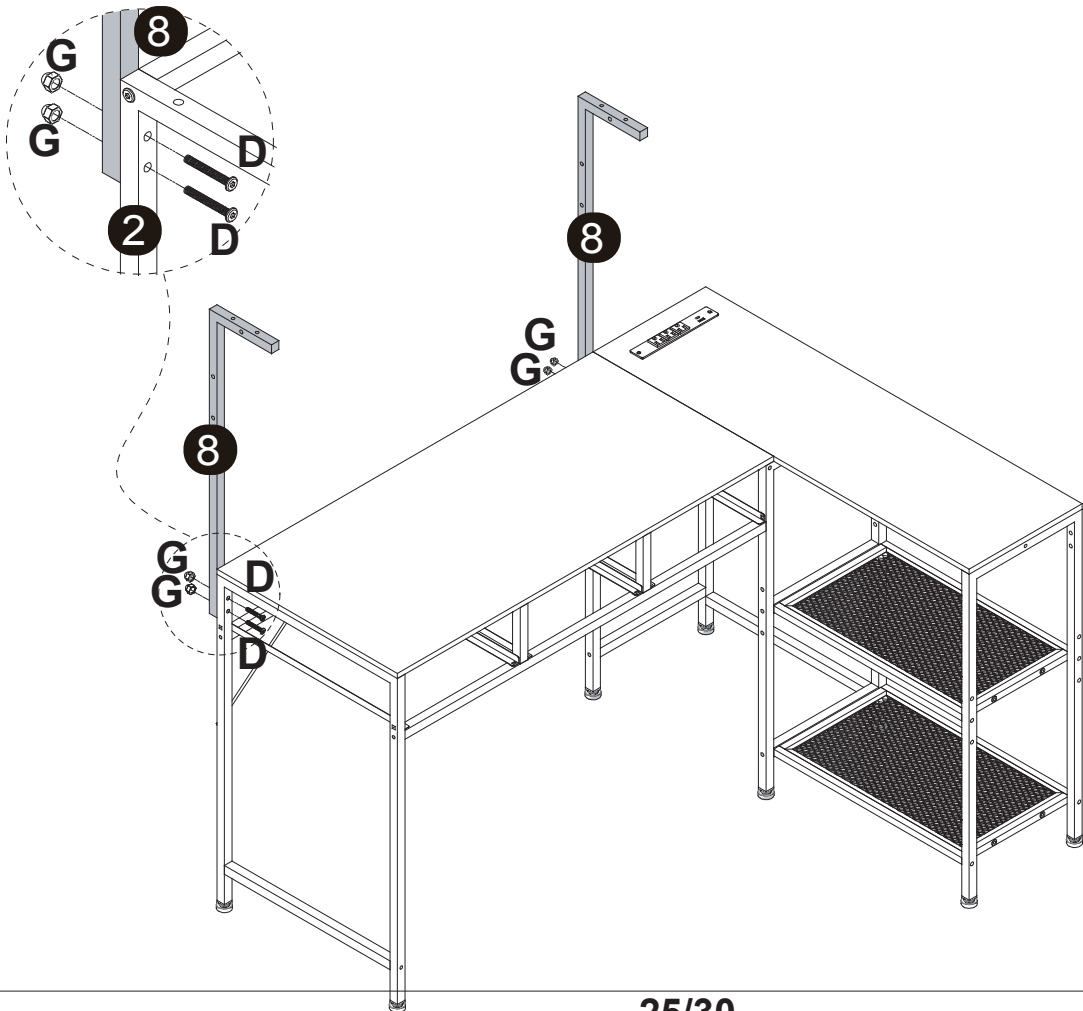




M M3x10mm	K
	
X2	X1

Step 27

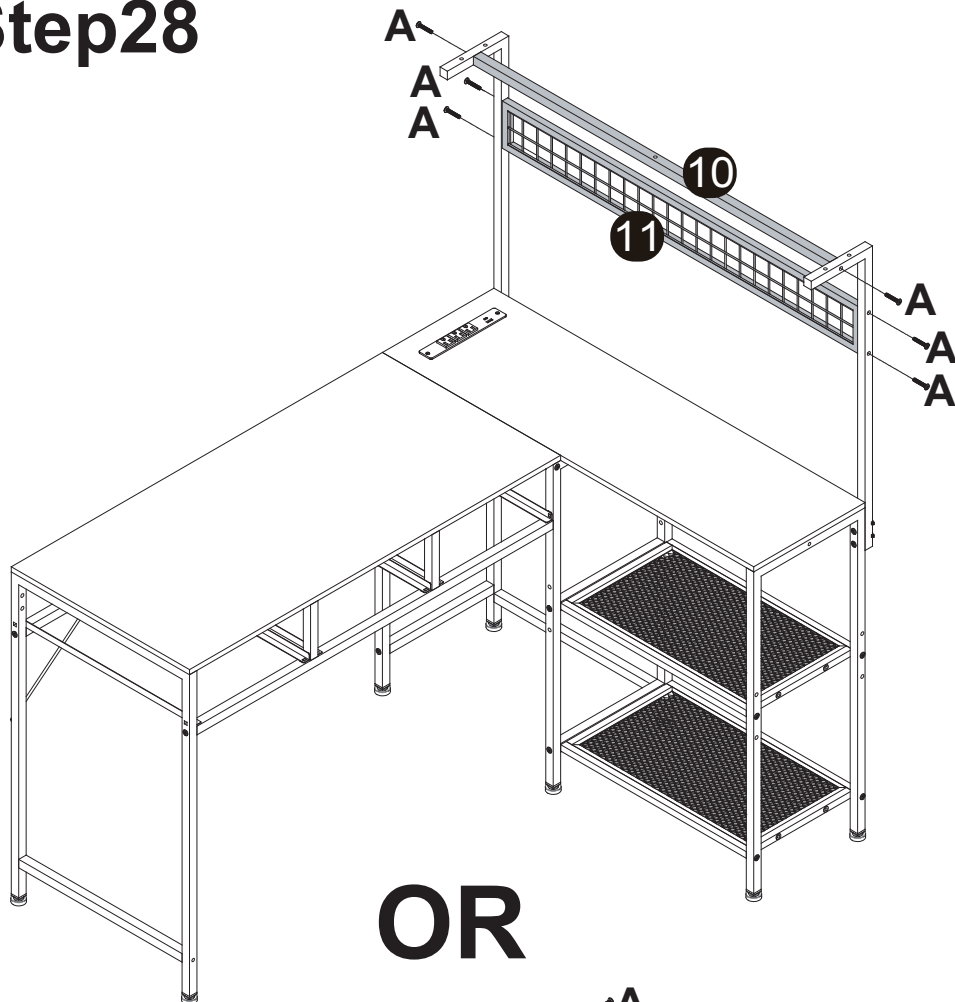


OR

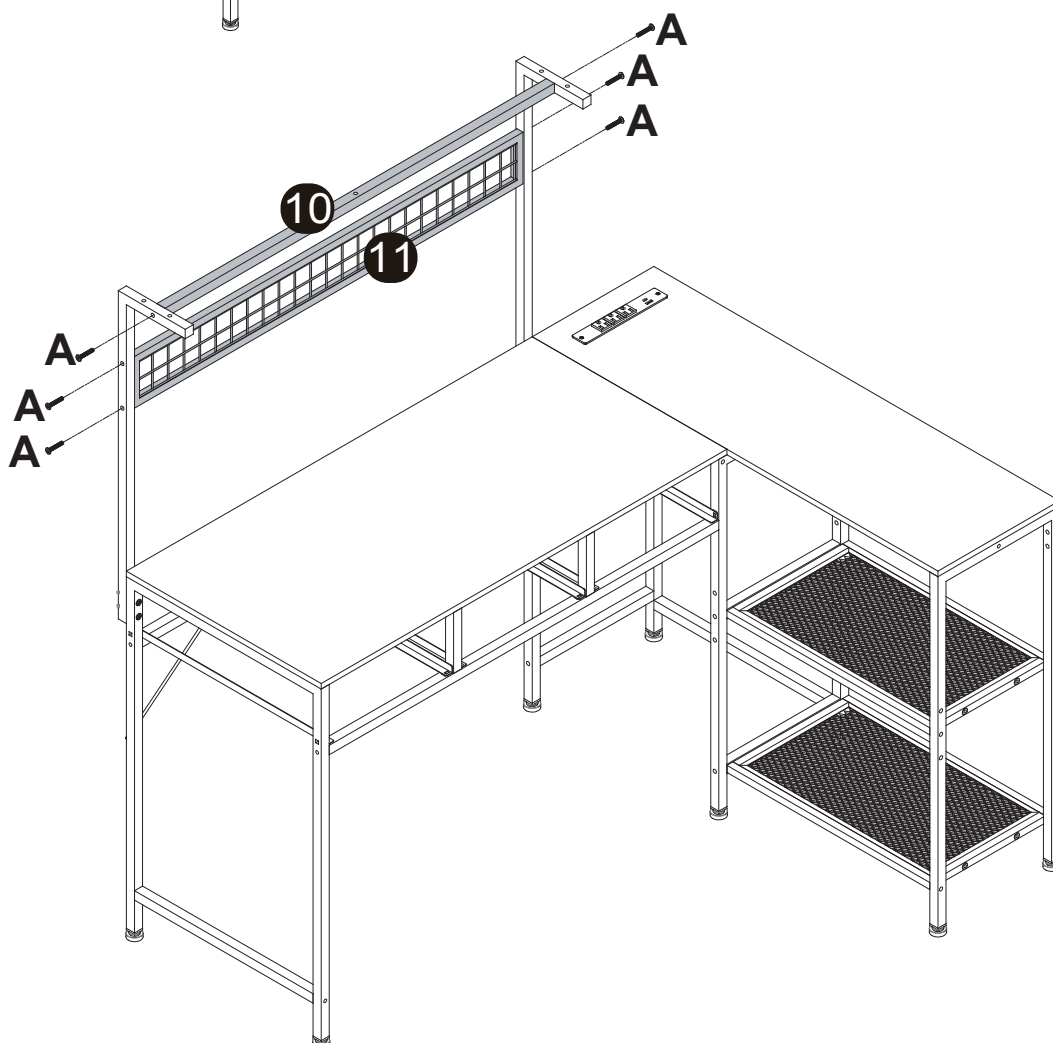


- G** M6mm

X4
- D** M6x45mm

X4

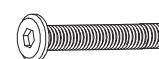
Step 28



OR

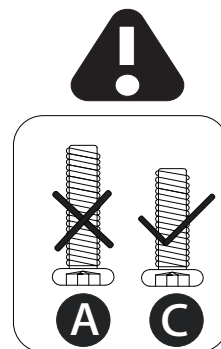
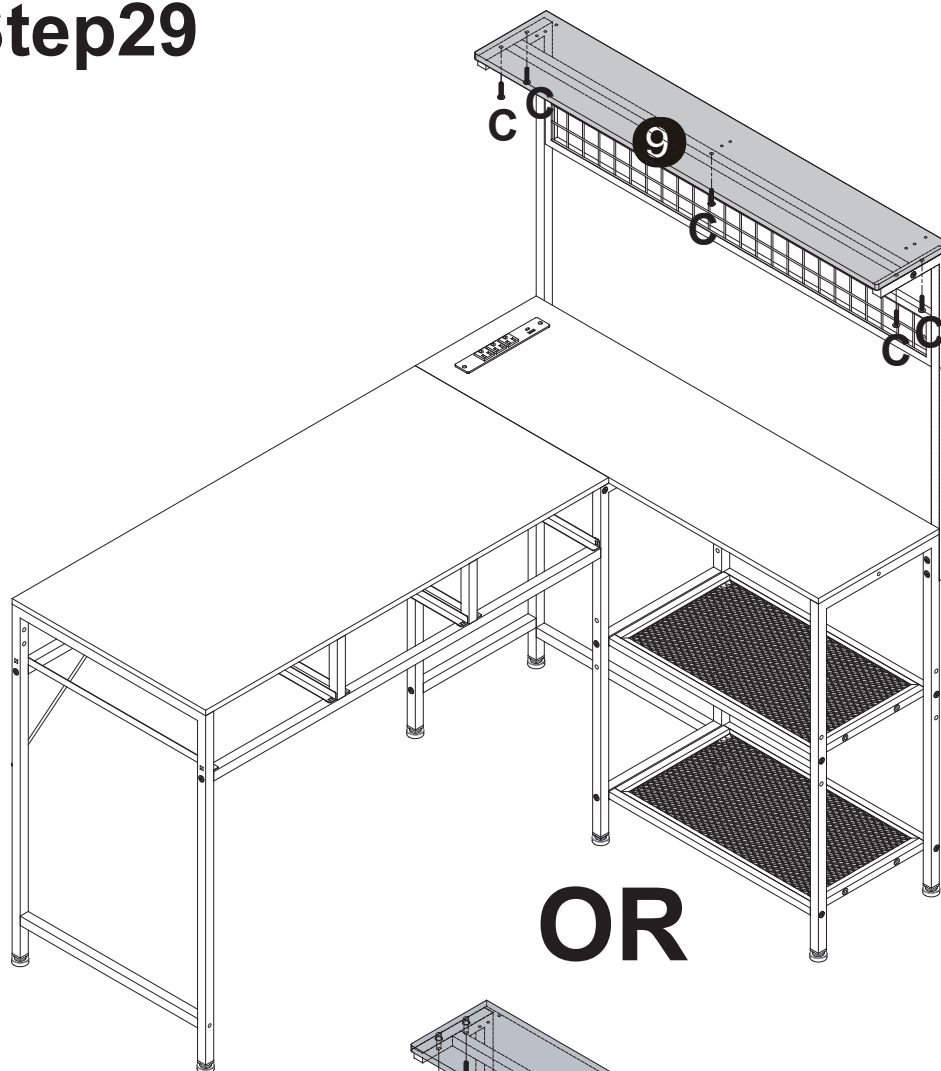


A M6x33mm

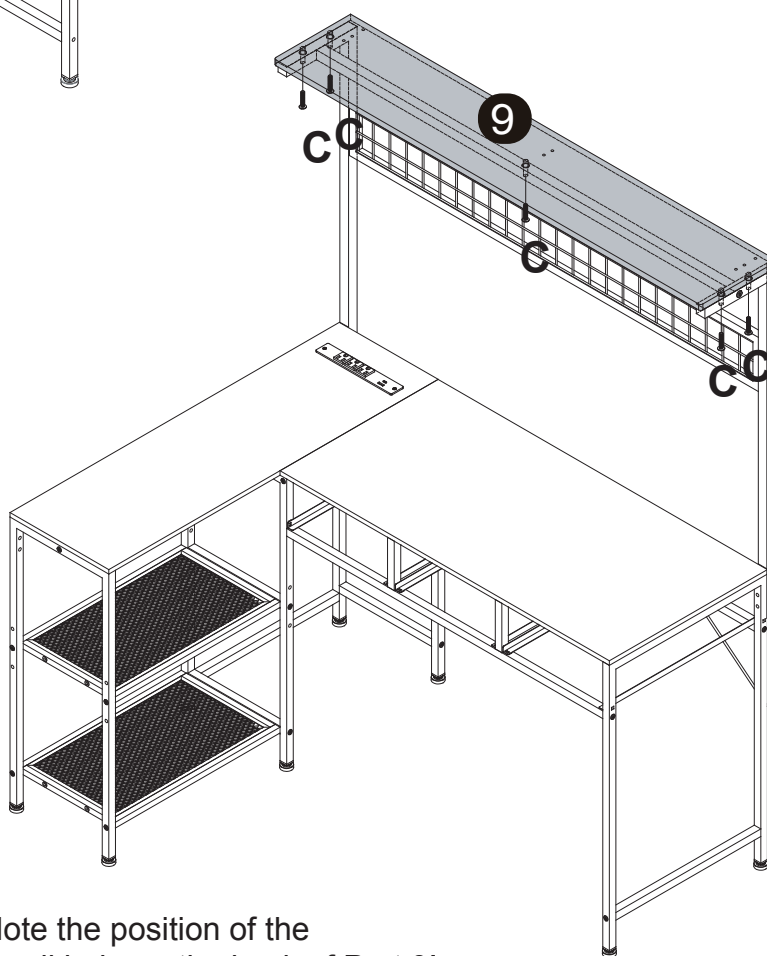


X6

Step 29

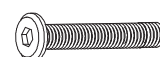


OR



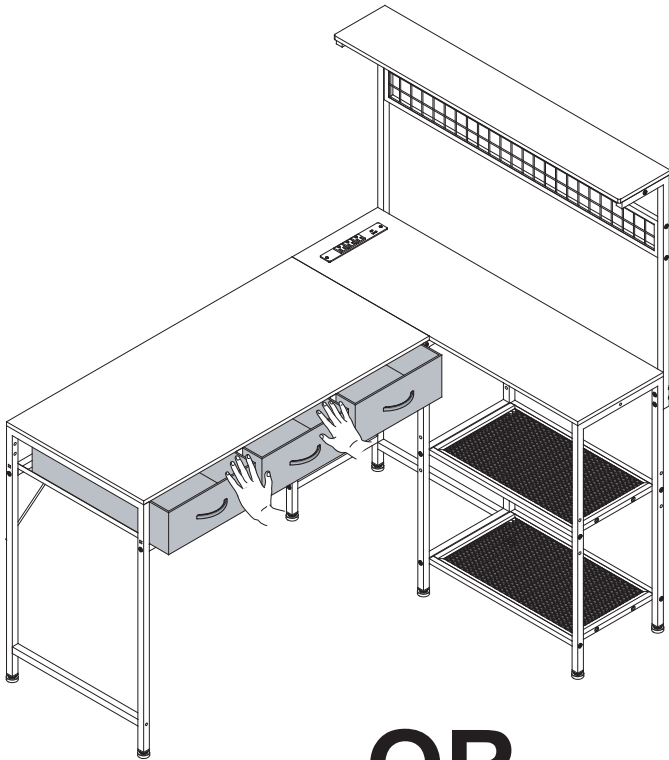
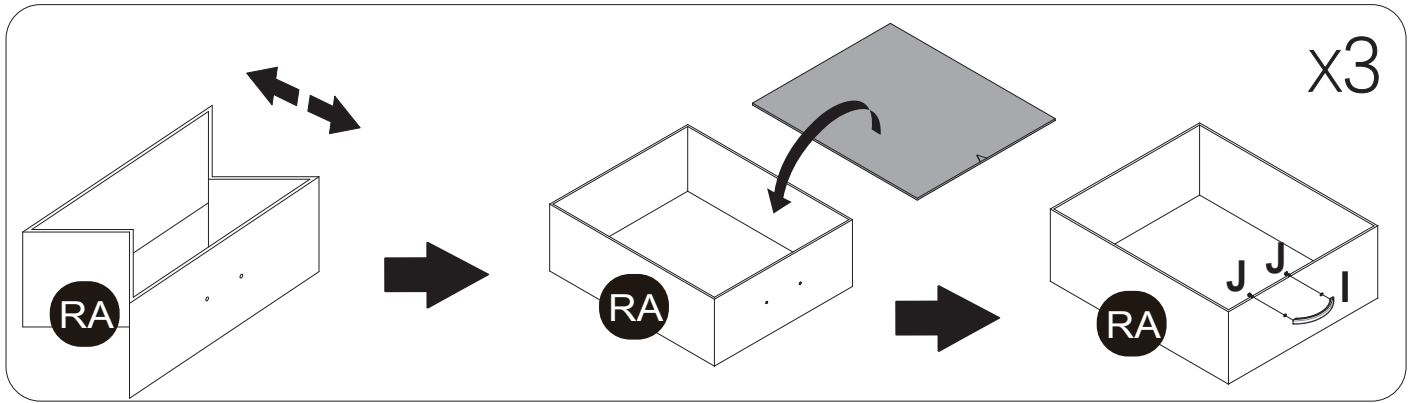
Note the position of the small hole on the back of Part 9!

C M6x28mm

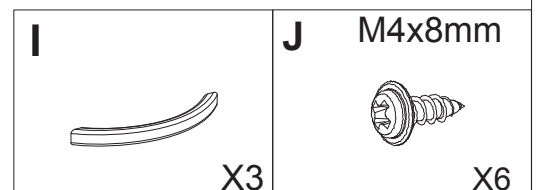
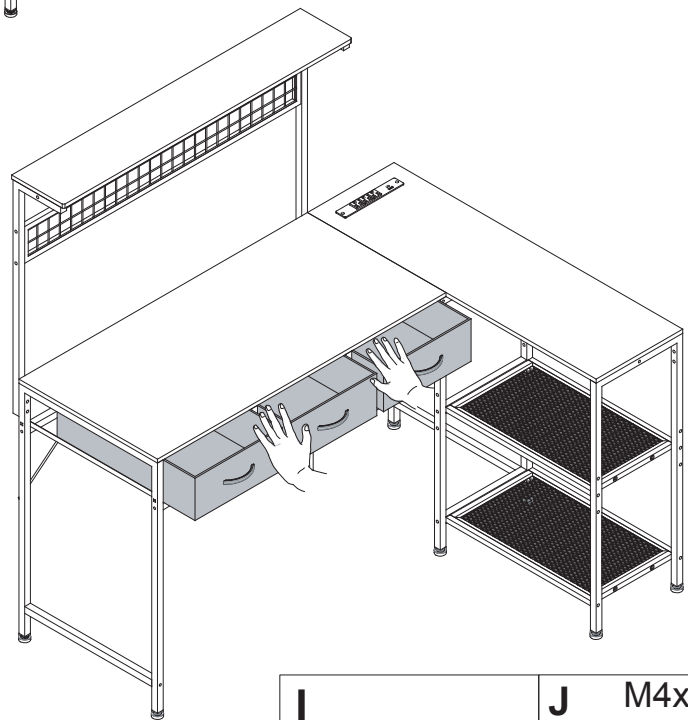


X5

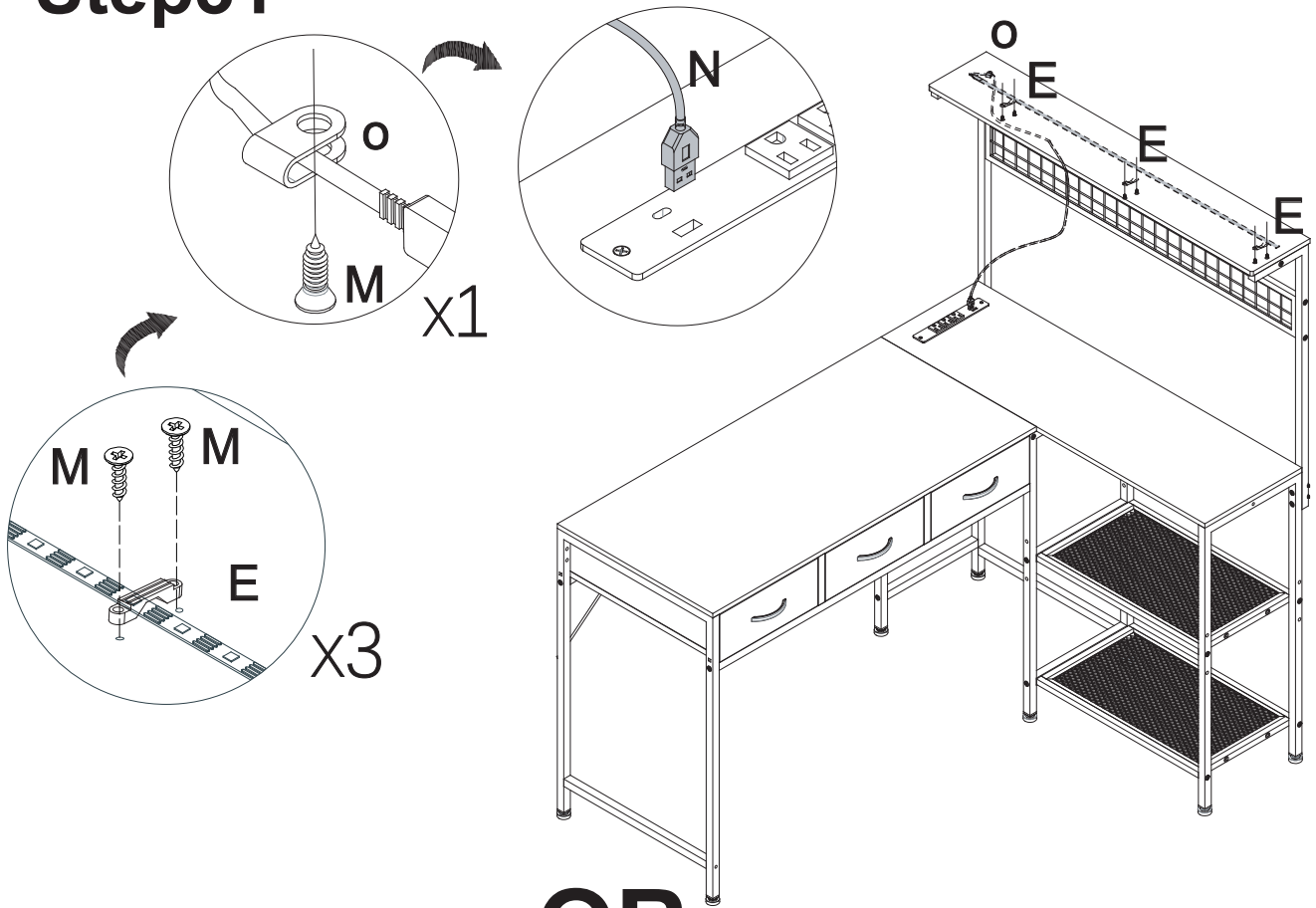
Step30



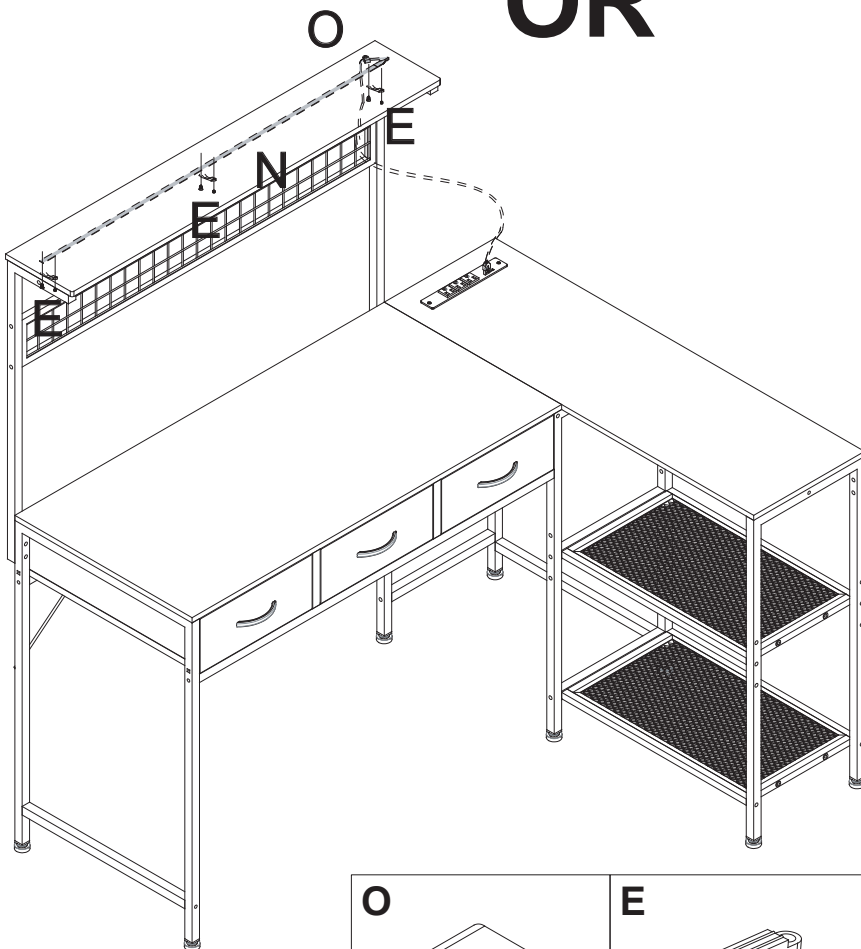
OR

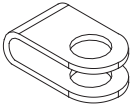
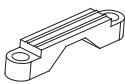

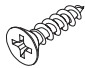


Step31

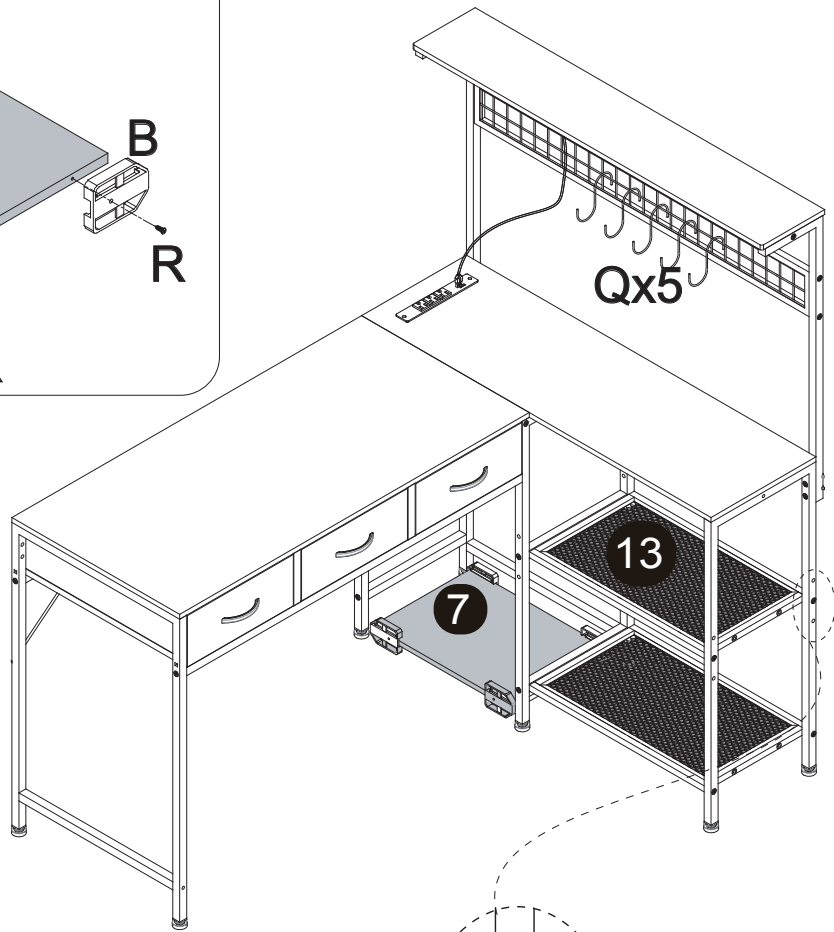
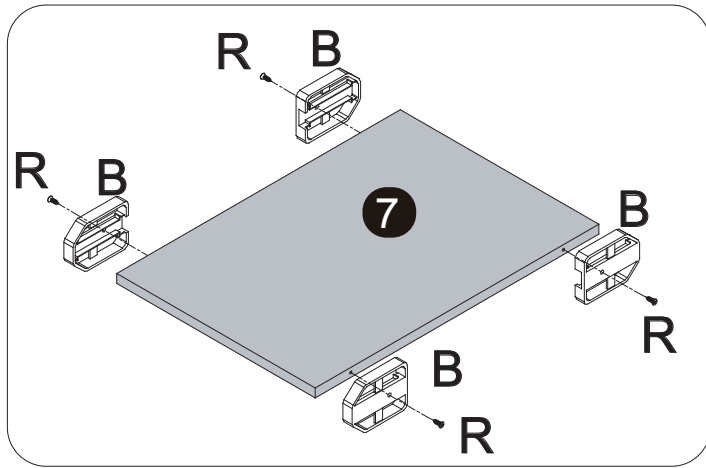


OR

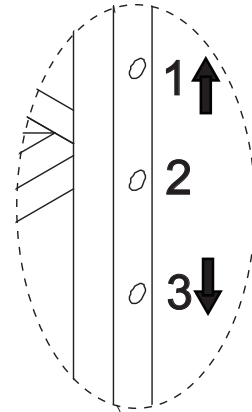
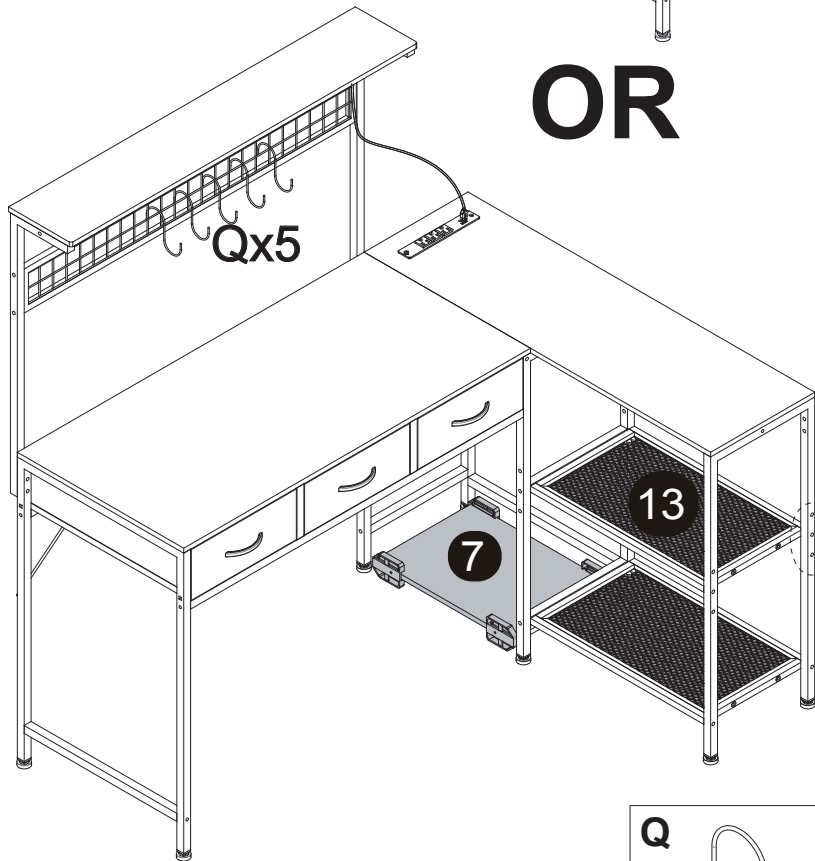


<p>O</p>  <p>X1</p>	<p>E</p>  <p>X3</p>	<p>N</p>  <p>X1</p>	<p>M M3x10mm</p>  <p>X7</p>
---	---	---	---

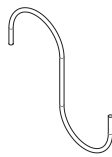
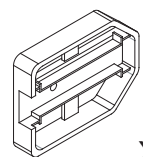

Step32



OR



The height of Part 13 can be adjusted as needed!

<p>Q</p>  <p>X5</p>	<p>B</p>  <p>X4</p>	<p>M M3.5x14mm</p>  <p>X4</p>
---	---	---