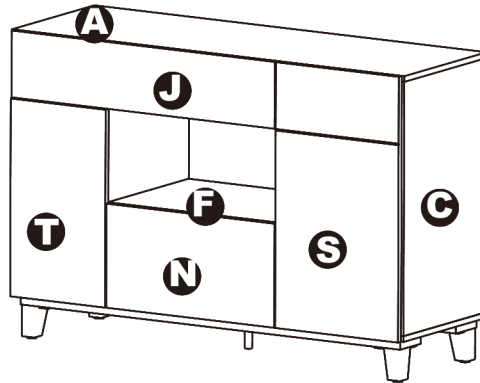


BUFFET TABLE

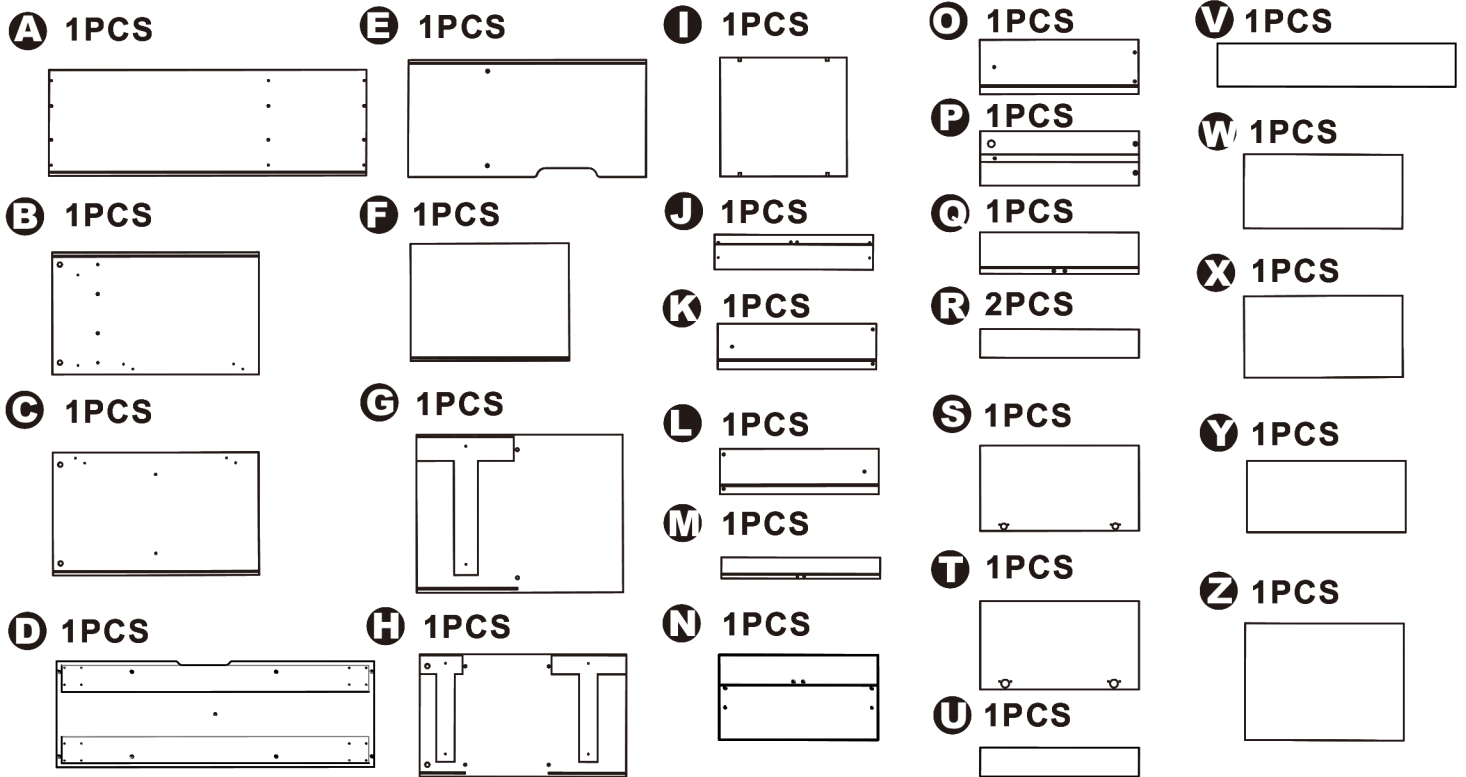
ASSEMBLY INSTRUCTIONS

Please keep for future reference

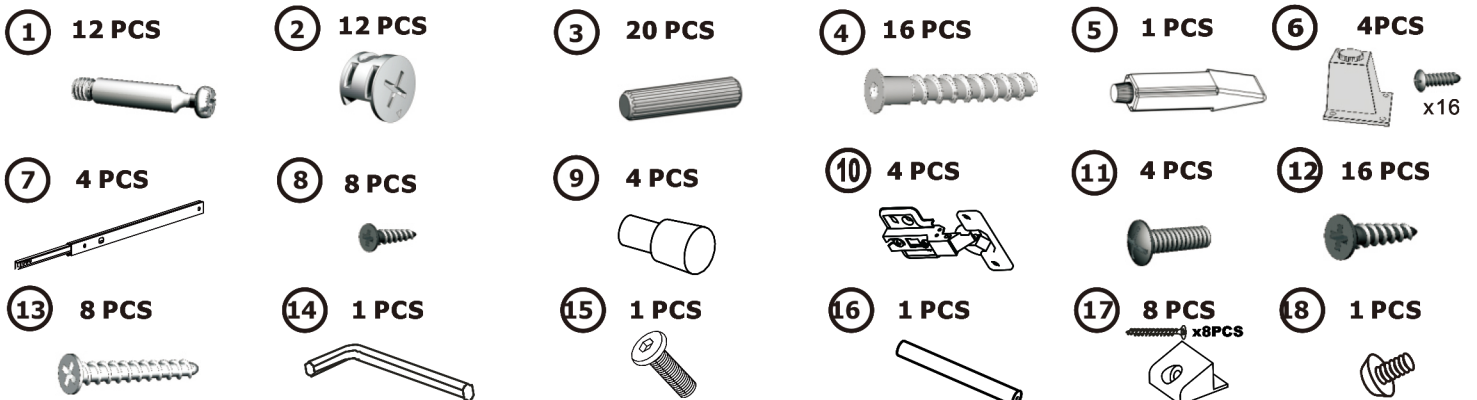
PARTS LIST



ITEM SIZE : 47.24" (W) X 16.34" (D) X 32.01" (H)



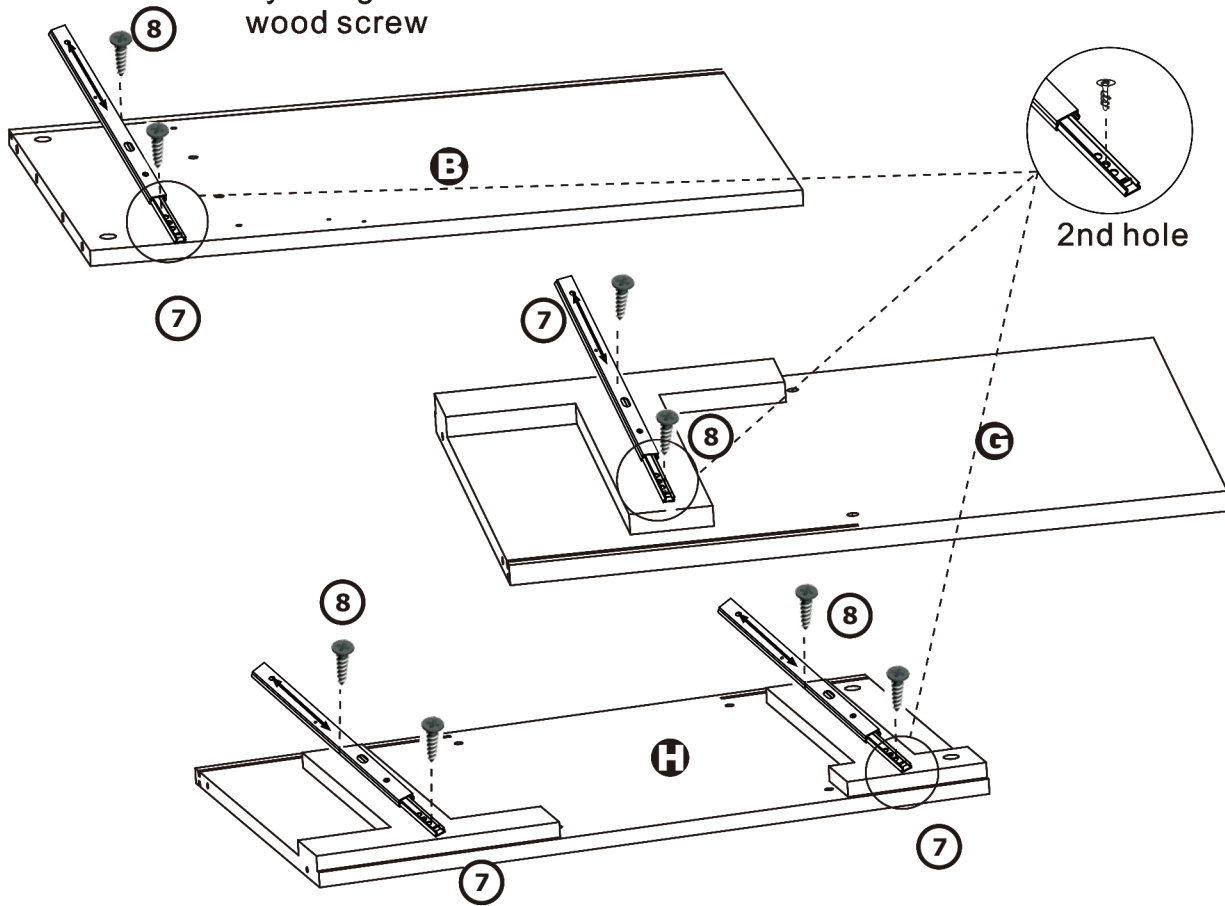
HARDWARE LIST



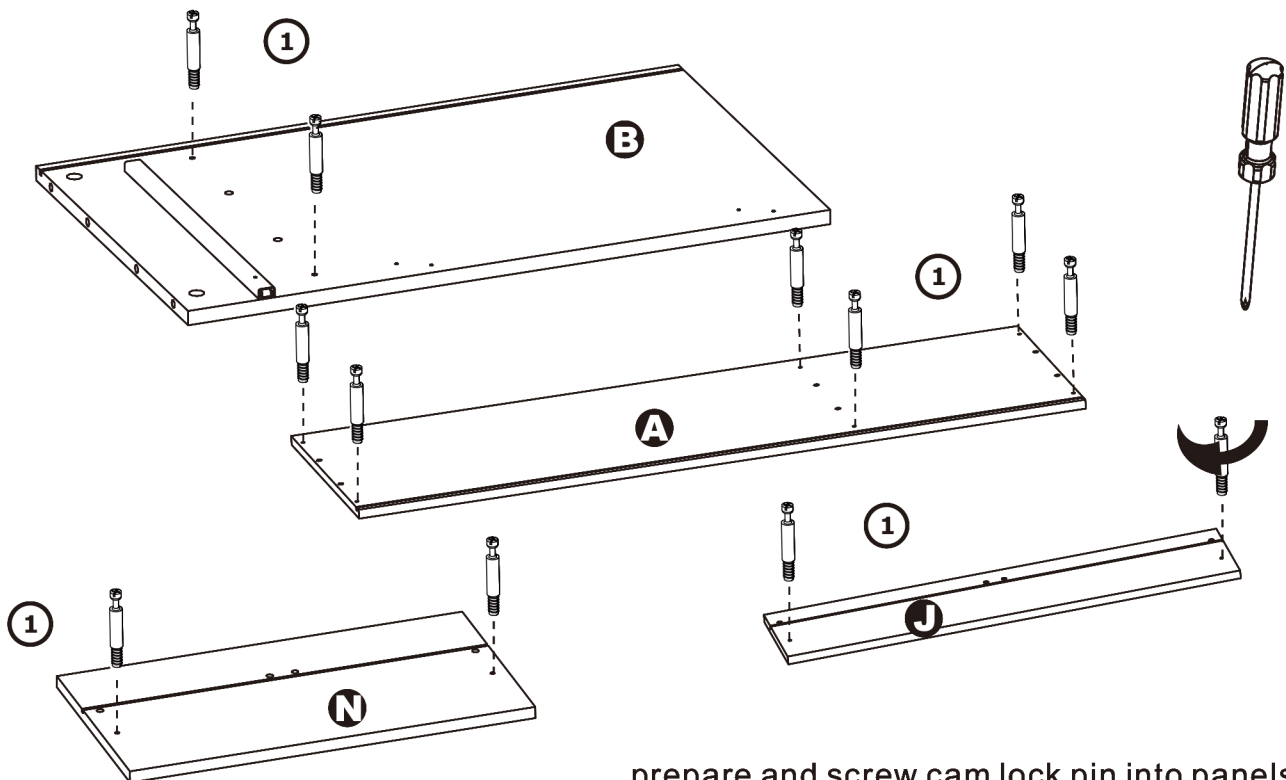
STEP : 1

push runner to align 2nd hole on the other end

by using the **shortest** wood screw



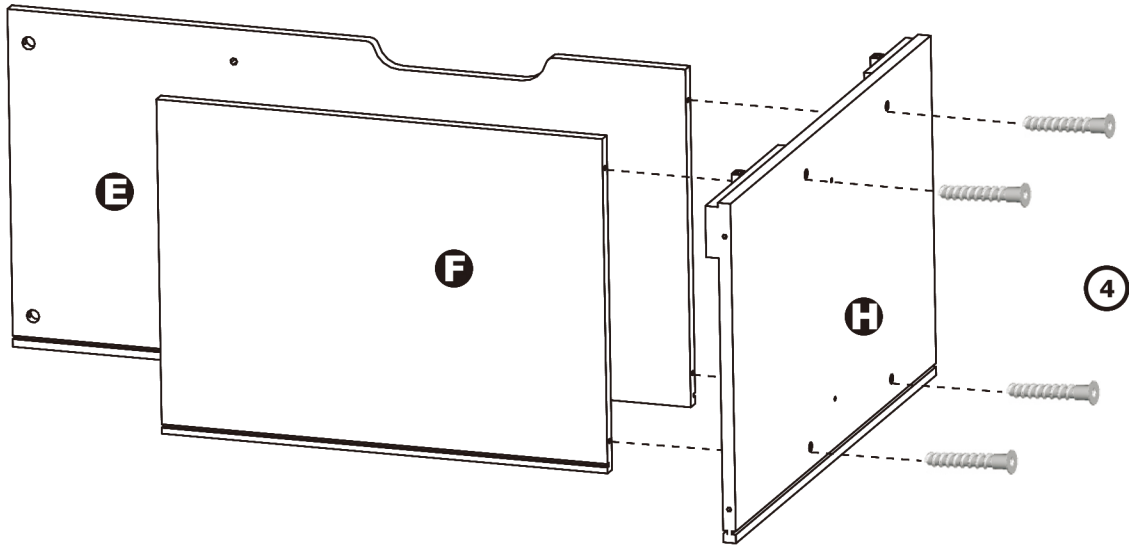
STEP : 2



prepare and screw cam lock pin into panels

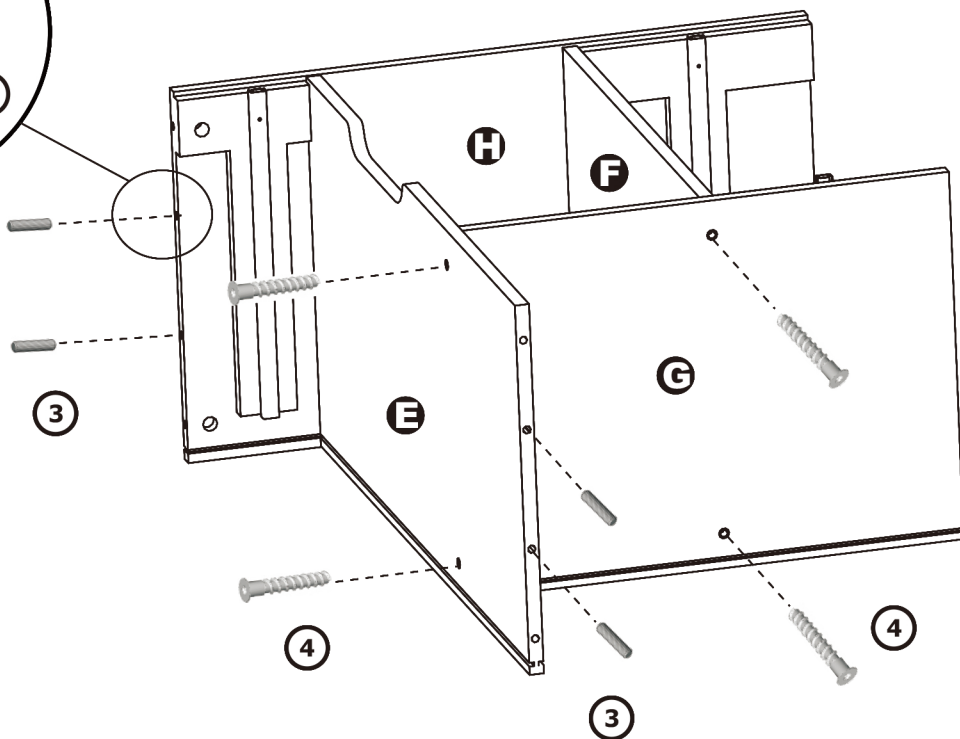
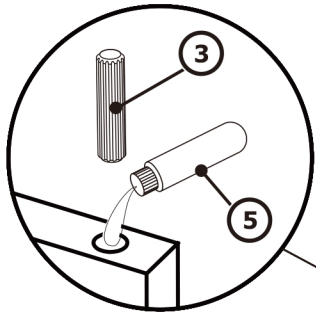
STEP : 3

use allen key to fasten
hex-socket head wood screw



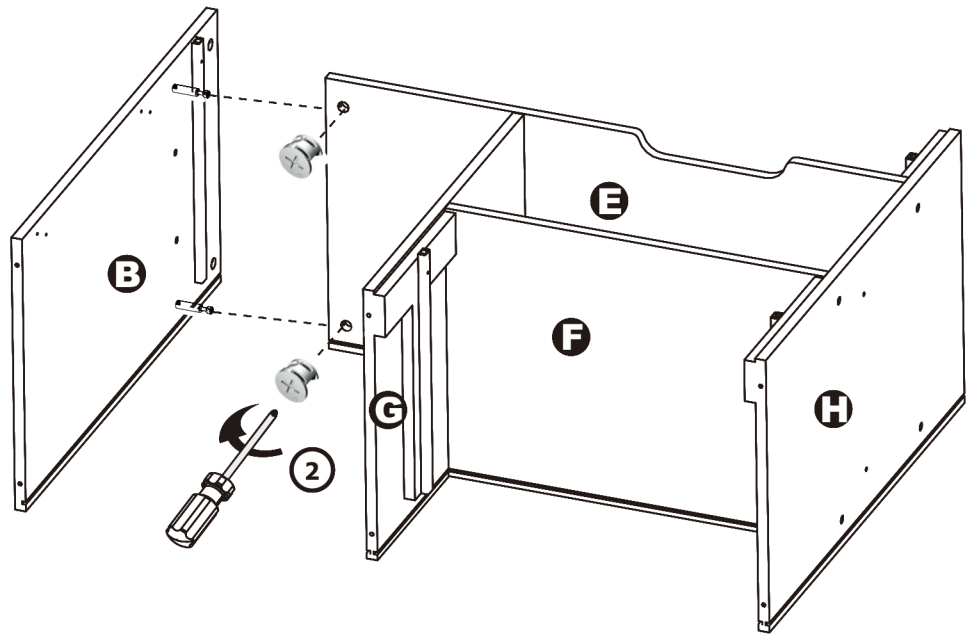
STEP : 4

to prepare and insert wood dowels to panels **H**

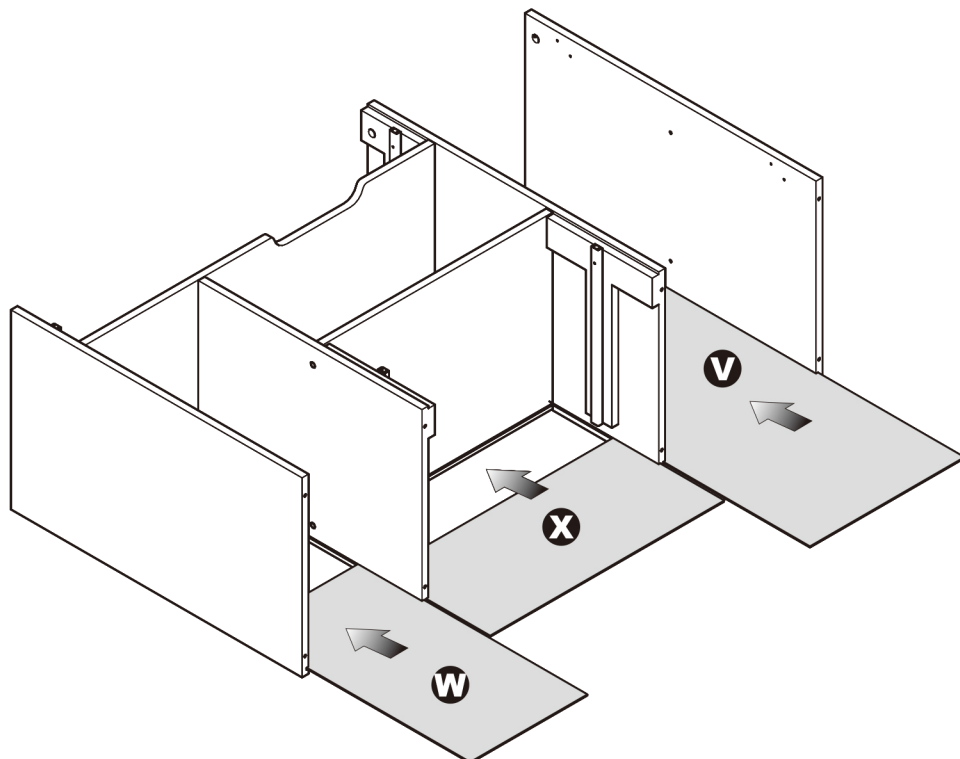


STEP : 5

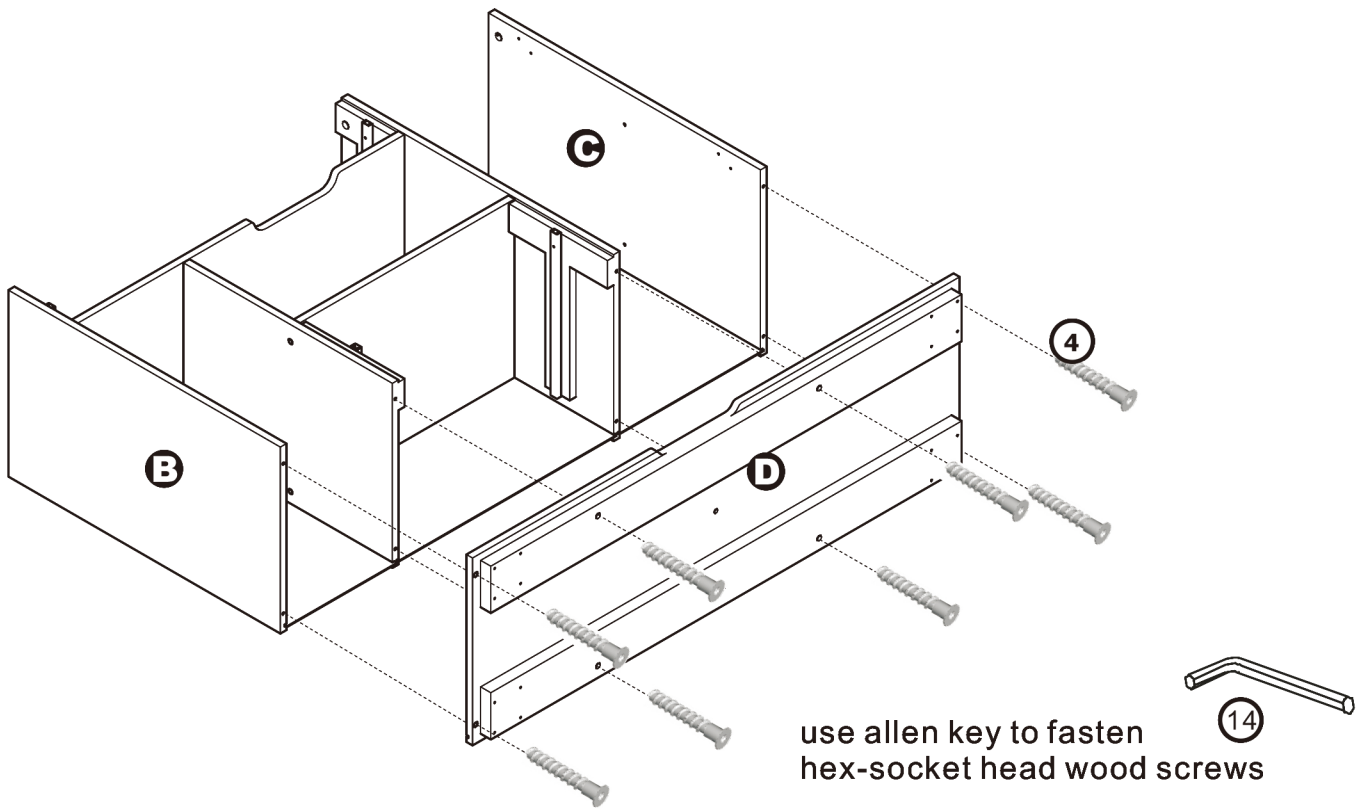
knock down panel **B** before
lock (2pcs) cam-nut up



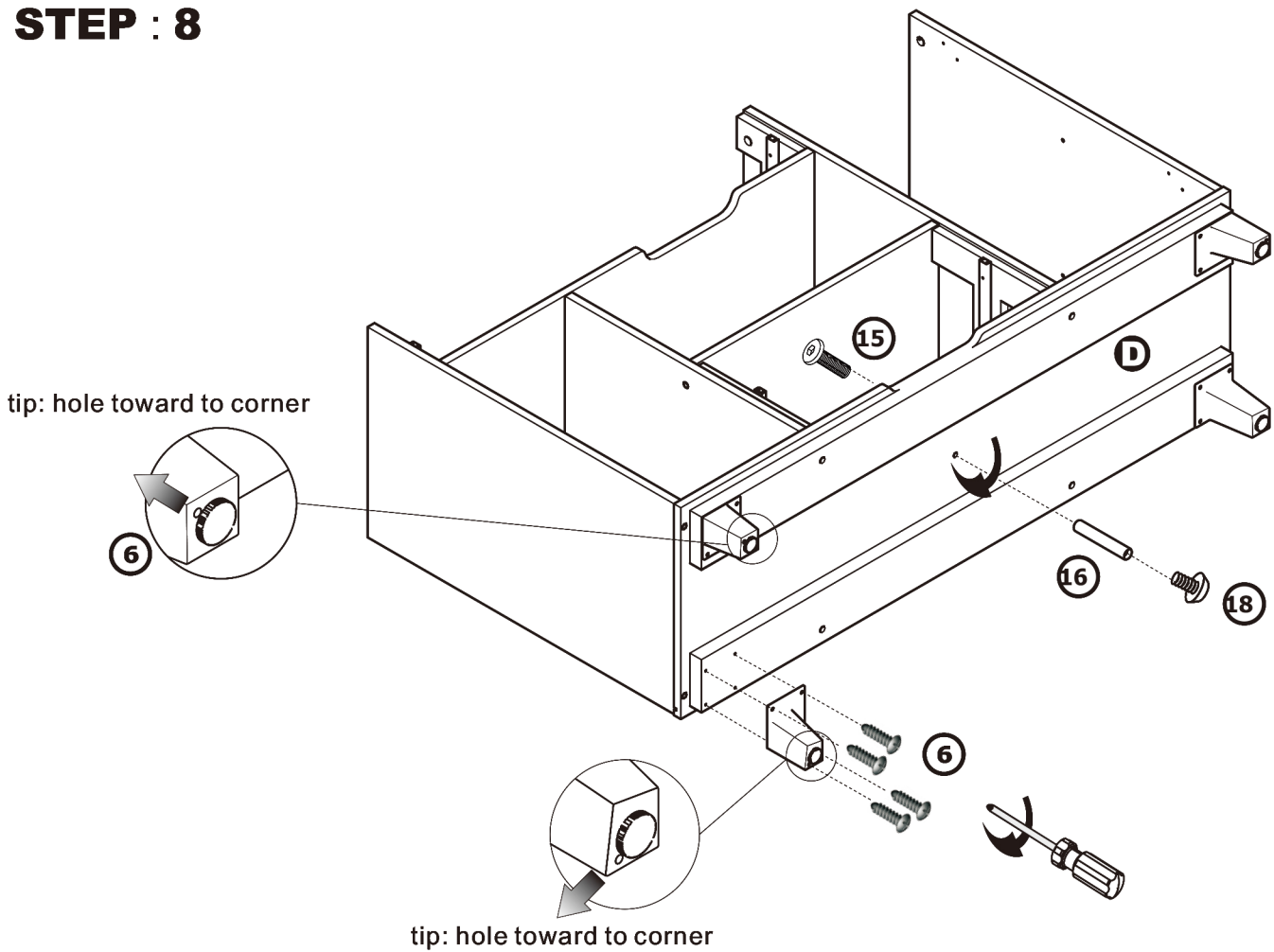
STEP : 6



STEP : 7

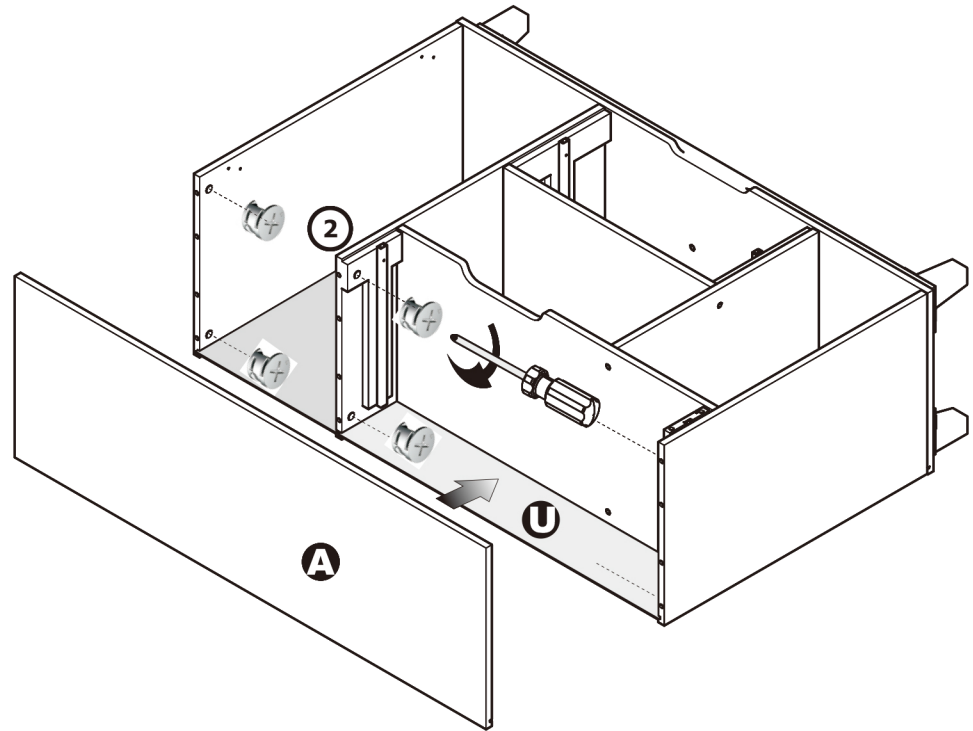


STEP : 8



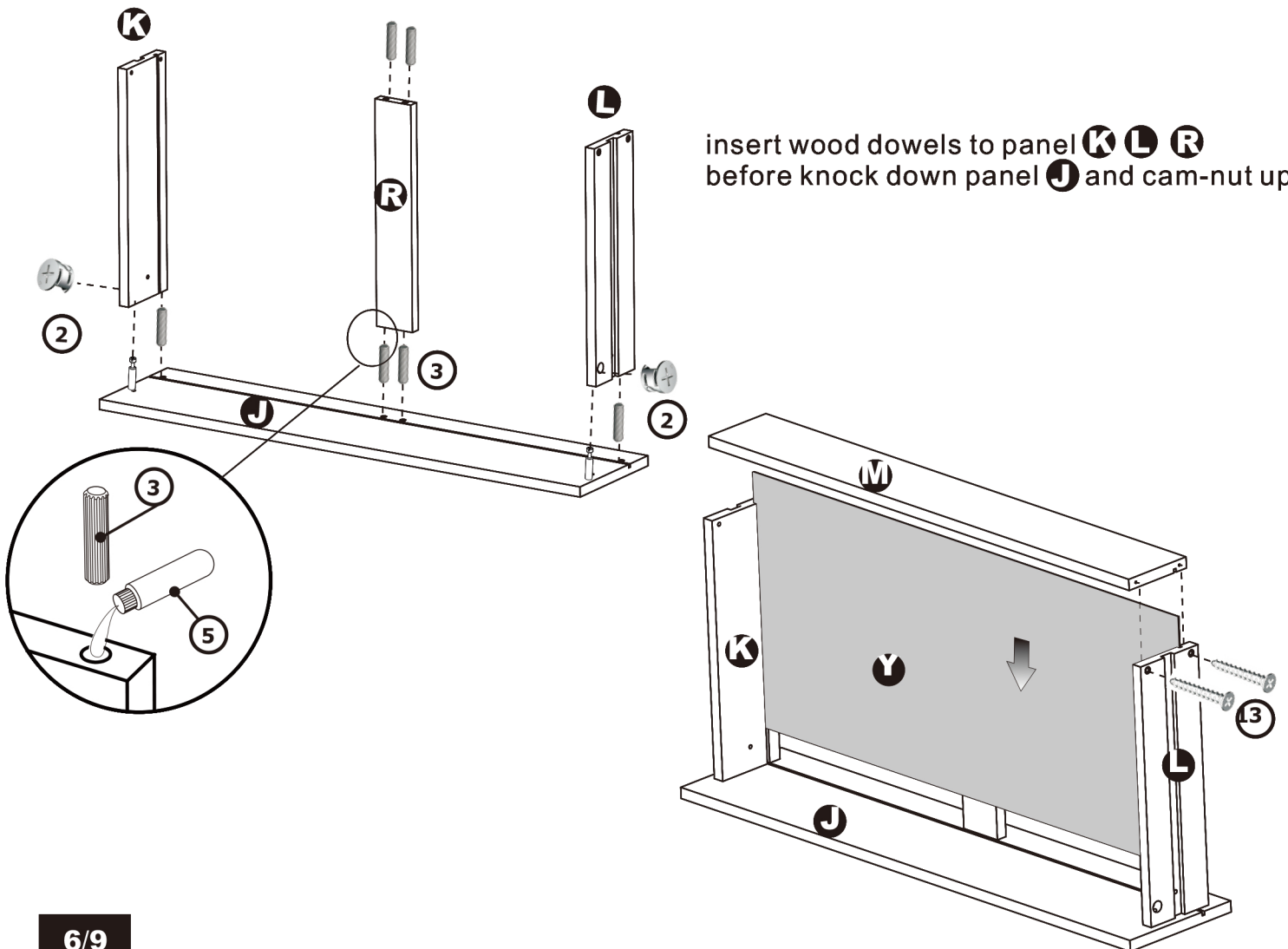
STEP : 9

knock down panel **A** before
lock (6pcs) cam-nut up

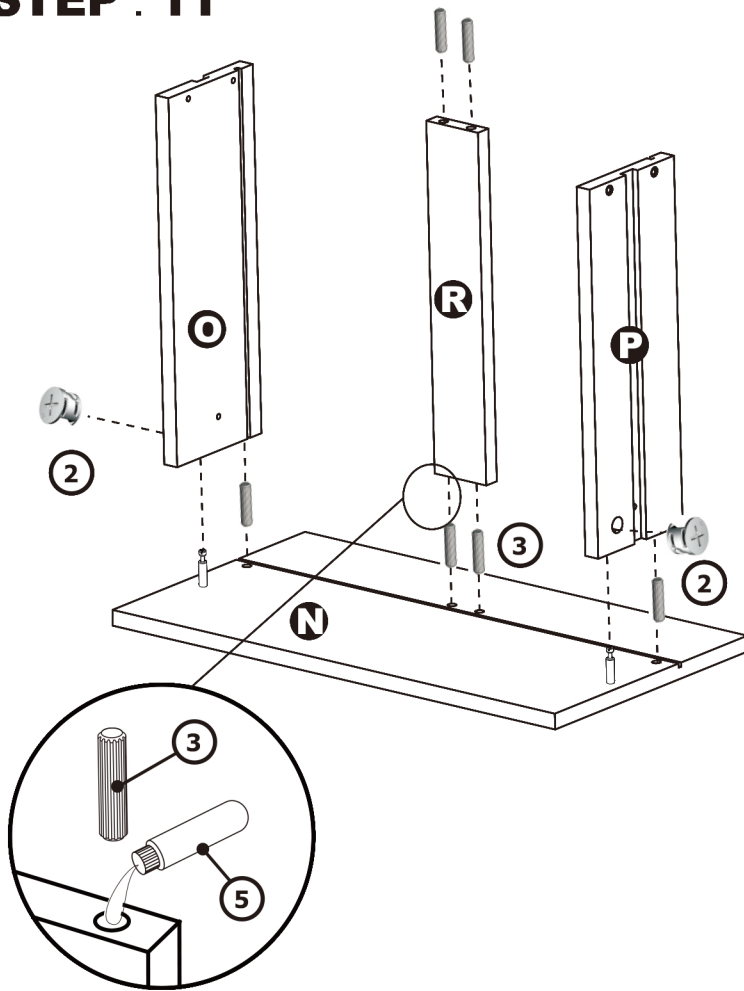


STEP : 10

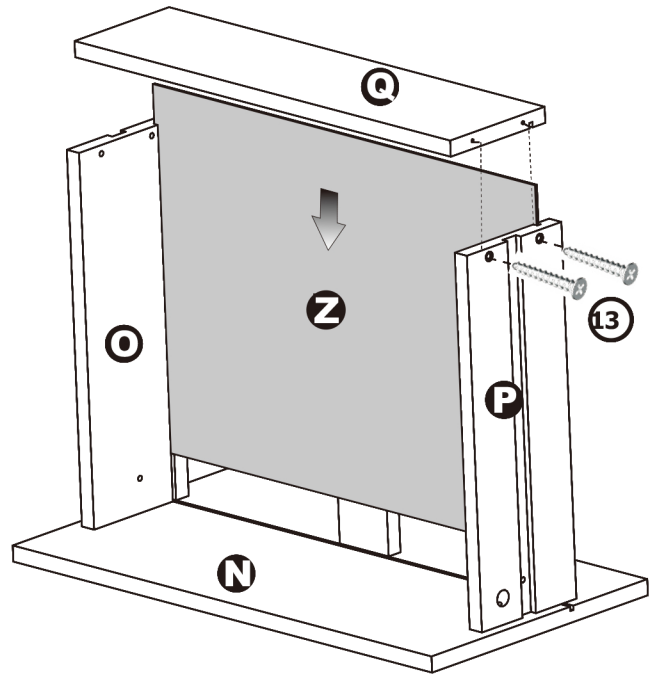
insert wood dowels to panel **K L R**
before knock down panel **J** and cam-nut up



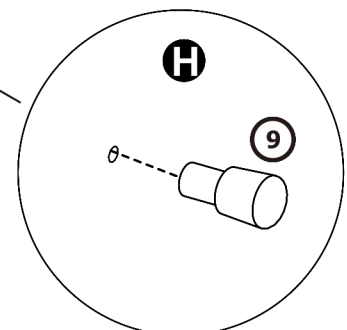
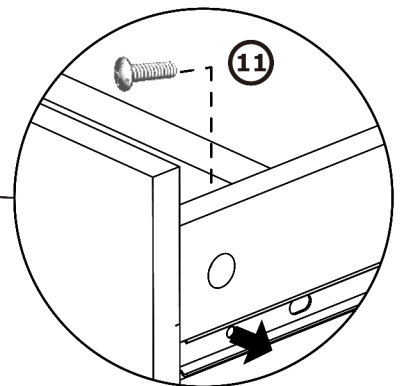
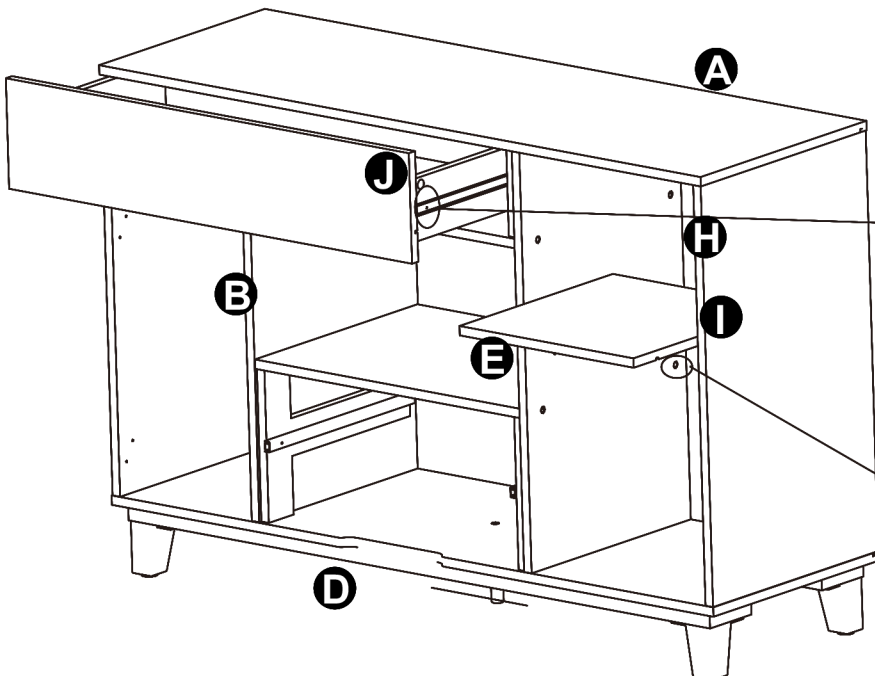
STEP : 11



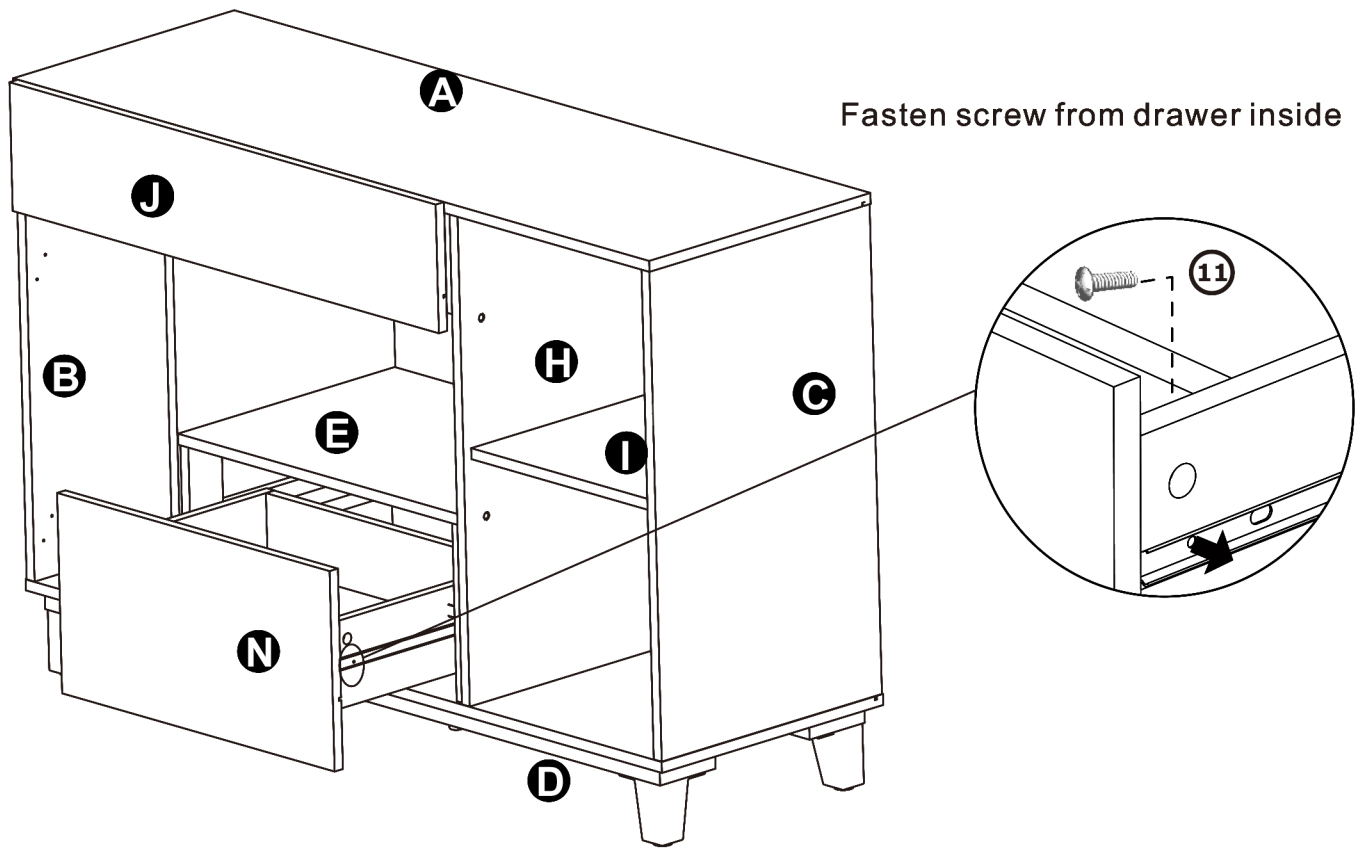
insert wood dowels to panel **O P R**
before knock down panel **N** and cam-nut up



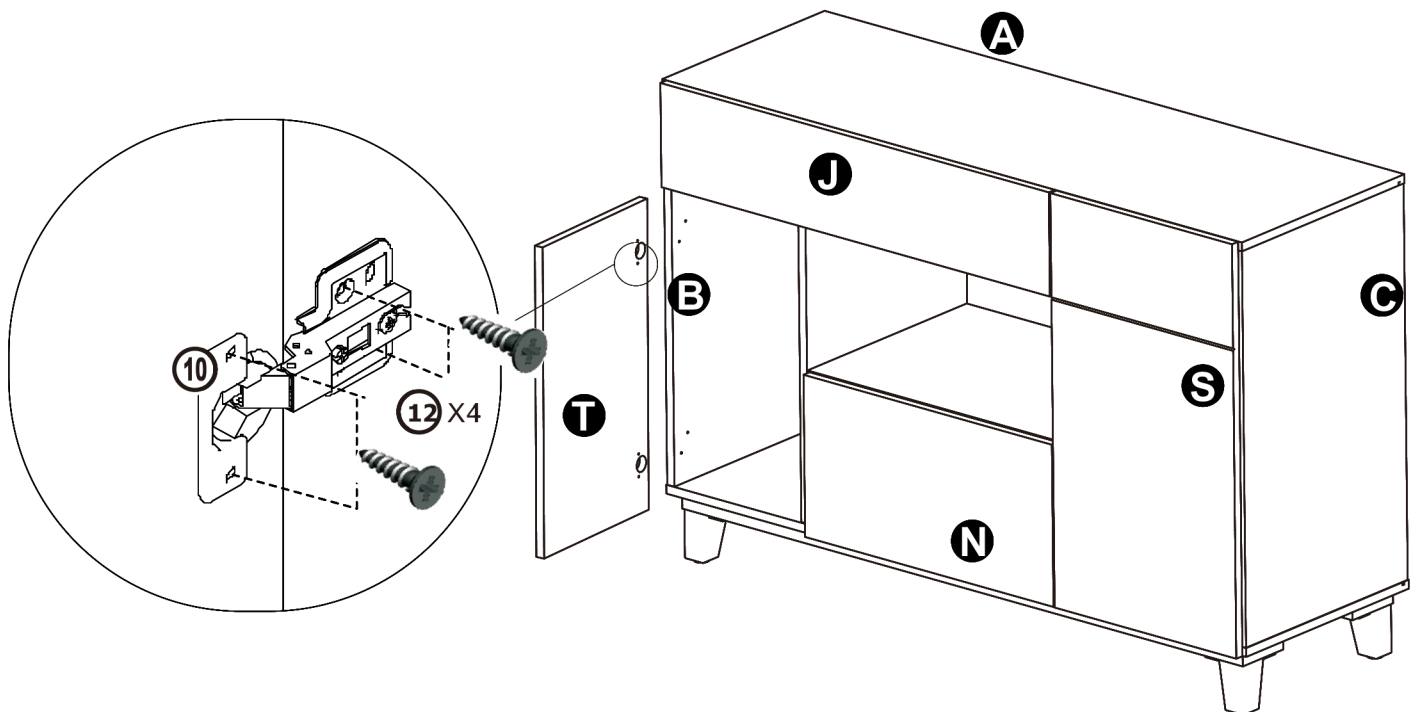
STEP : 12



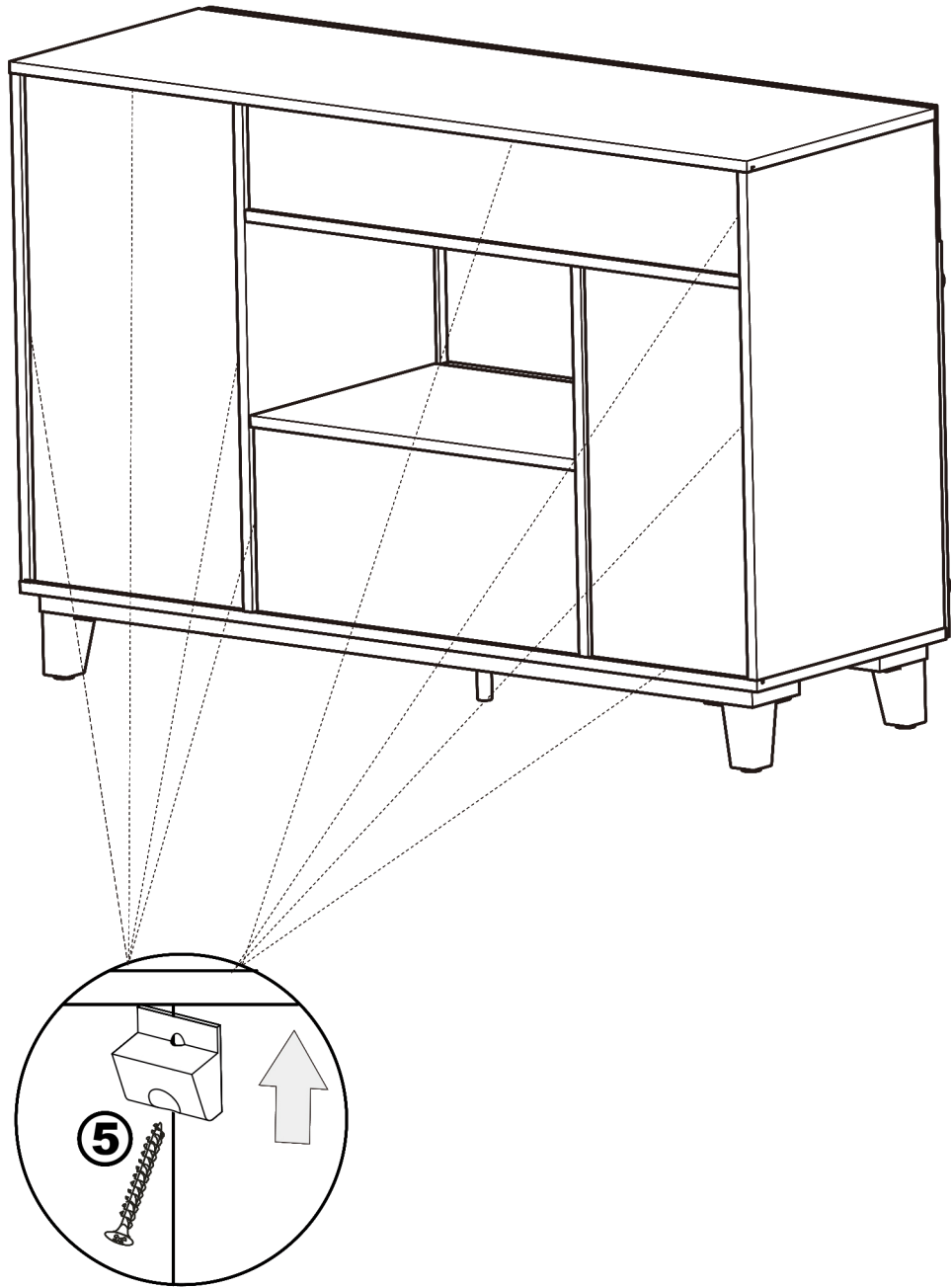
STEP : 13



STEP : 14



STEP :15



reinforcements on the back