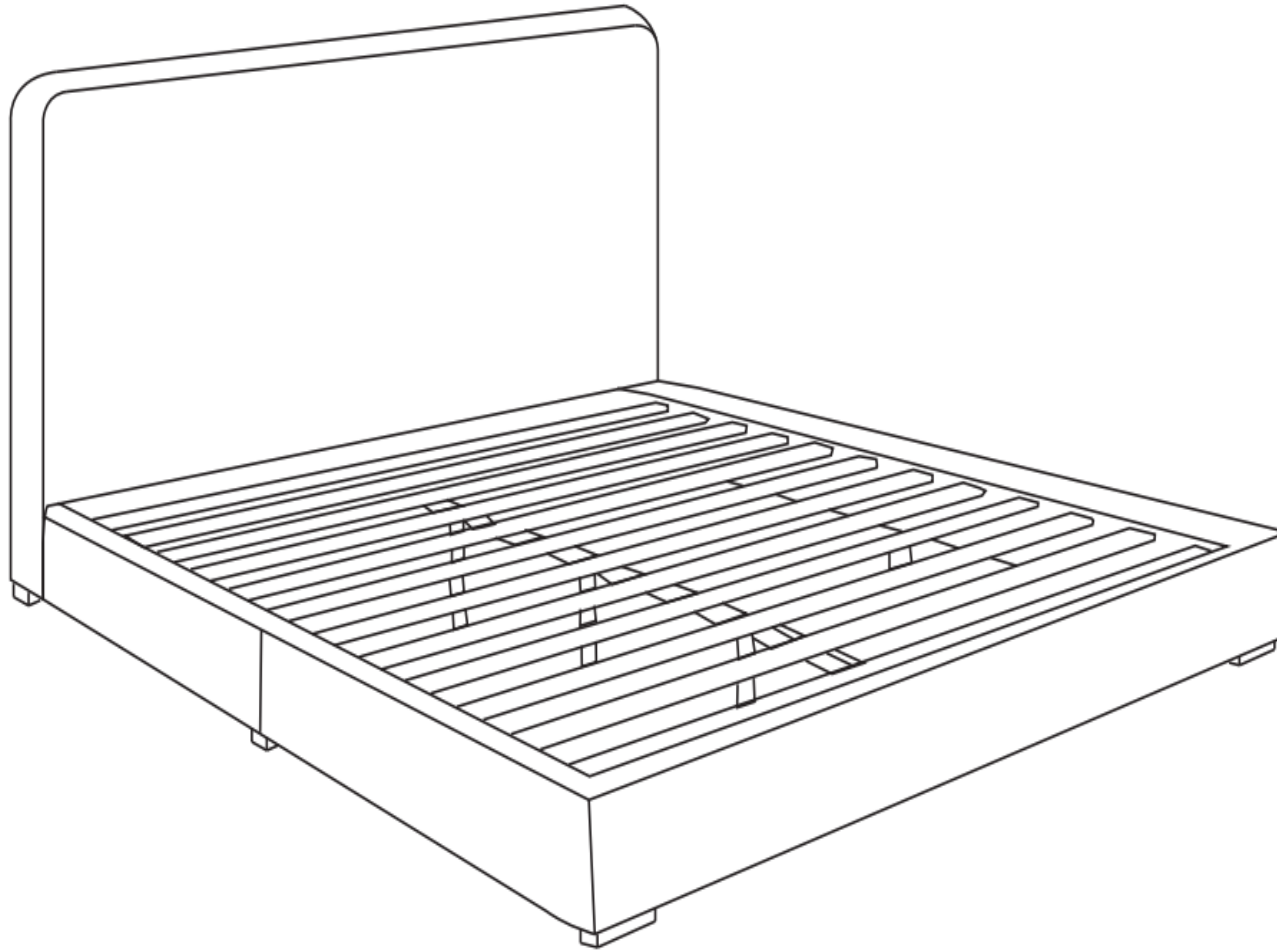


# Installation & Assembly



# Hardware

---

Bolts x 13  
(K)



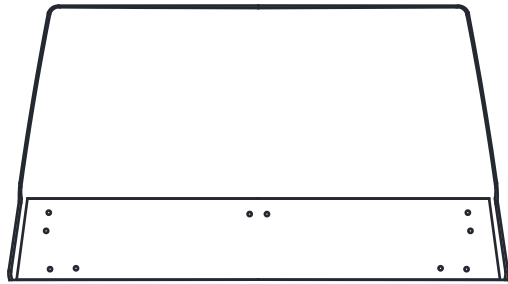
Bolts x 16  
(L)



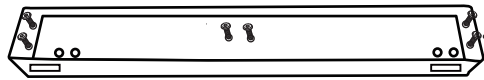
Allen key x 1  
(M)



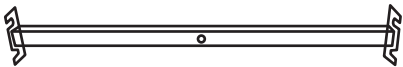
# Parts



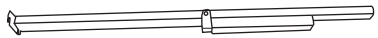
..... **A** X1 pc



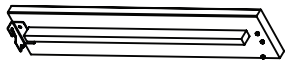
..... **B** X1 pc



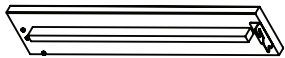
..... **C** X1 pc



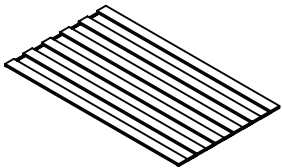
..... **D** X2 pcs



..... **E** X2 pc



..... **F** X2 pcs



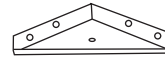
..... **G** X2 pcs



..... **H** X2 pcs



..... **I** X1 pc

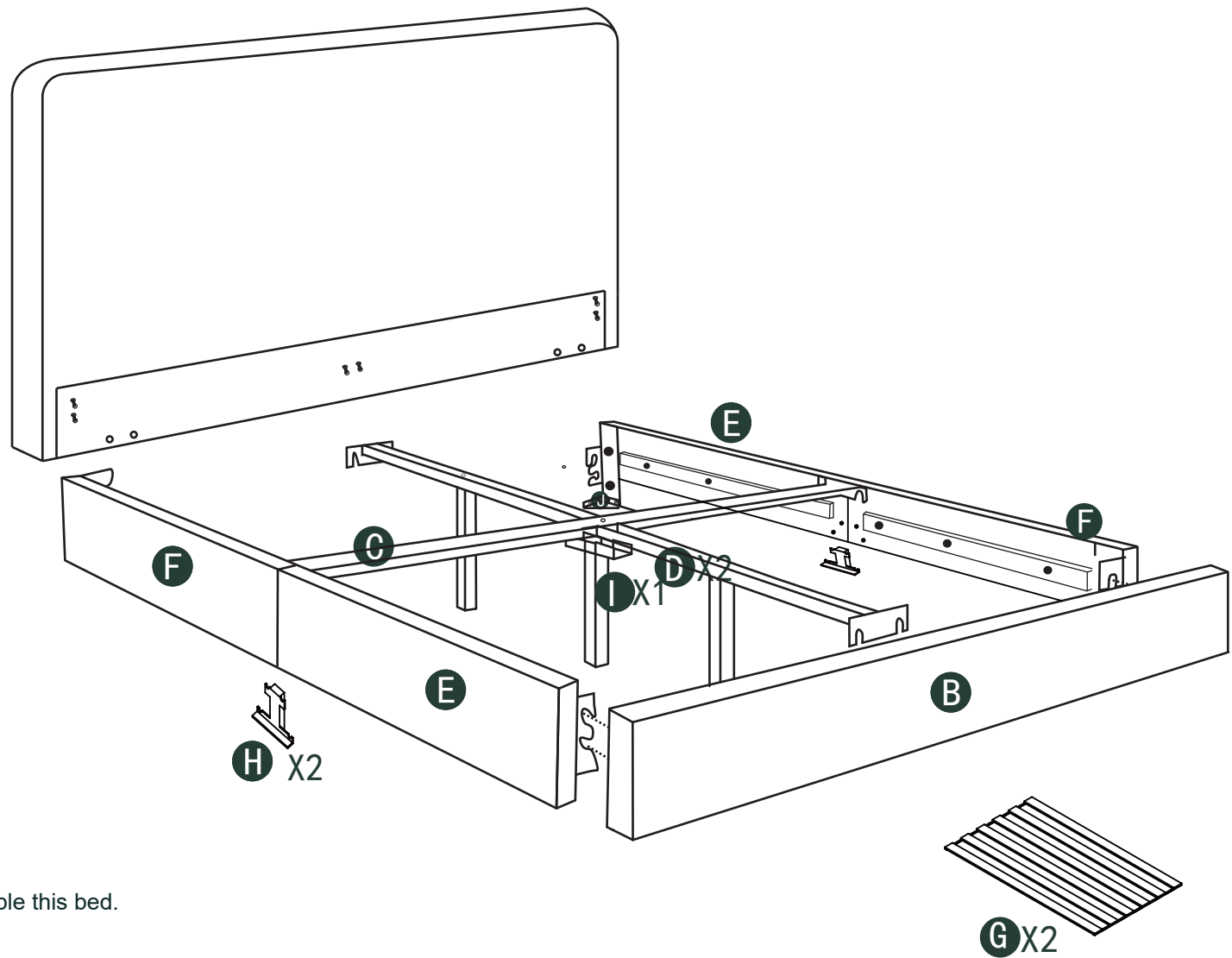


..... **J** X4 pcs

ITEM	DESCRIPTION	QTY
A	Headboard	1
B	Footboard	1
C	Horizontal Metal	1
D	Vertical Metal	2
E	Side Panels	2
F	Side Panels	2
G	Slat	2
H	Metal connection	2
I	Middle Metal Leg	1
J	Triangle metal connection	4

# Exploded diagram

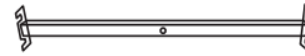
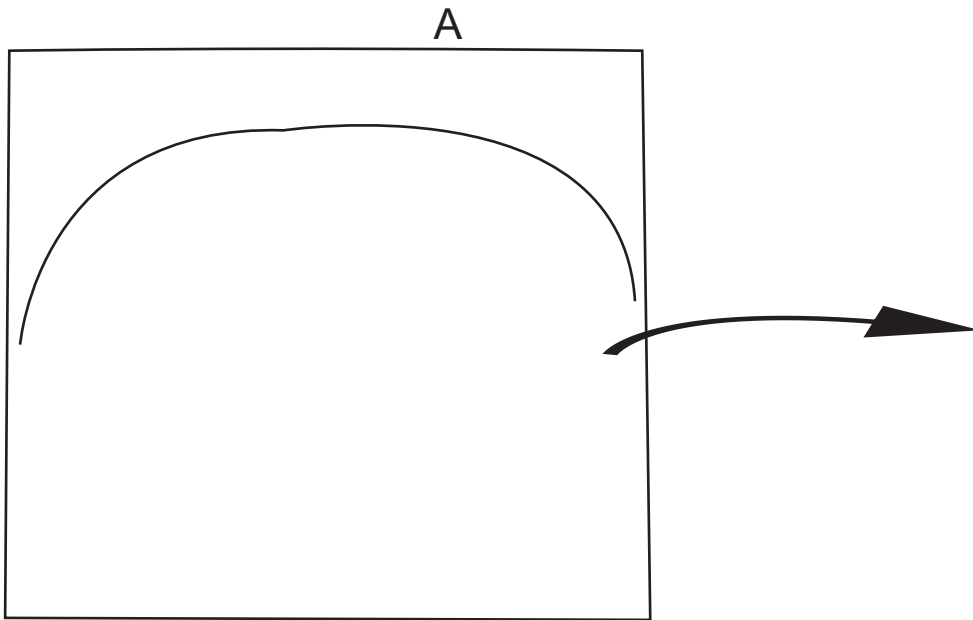
---



⚠ Reminder: Need two person to assemble this bed.

# Step 1. Open the zipper, take out the parts.

---



..... **C** X1 pc



..... **D** X2 pcs



..... **E** X2 pc



..... **F** X2 pcs



..... **H** X2 pcs



..... **I** X1 pc



..... **J** X4 pcs



..... **K** X13 pcs





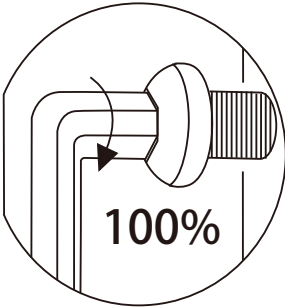
..... **L** X16 pcs



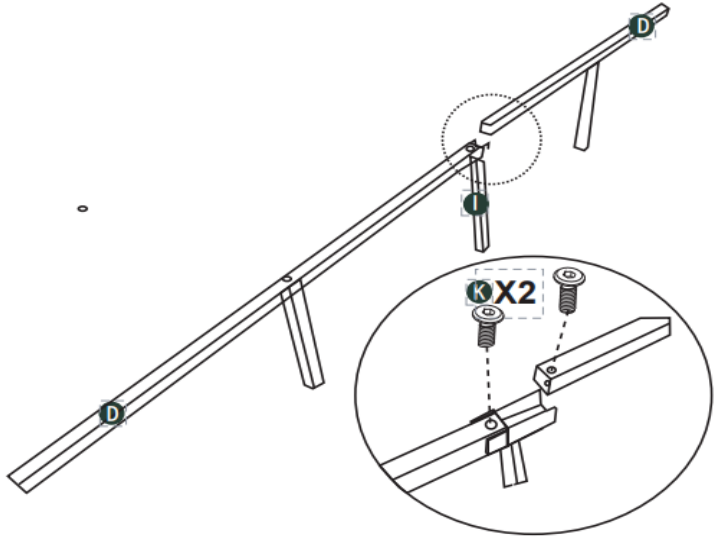
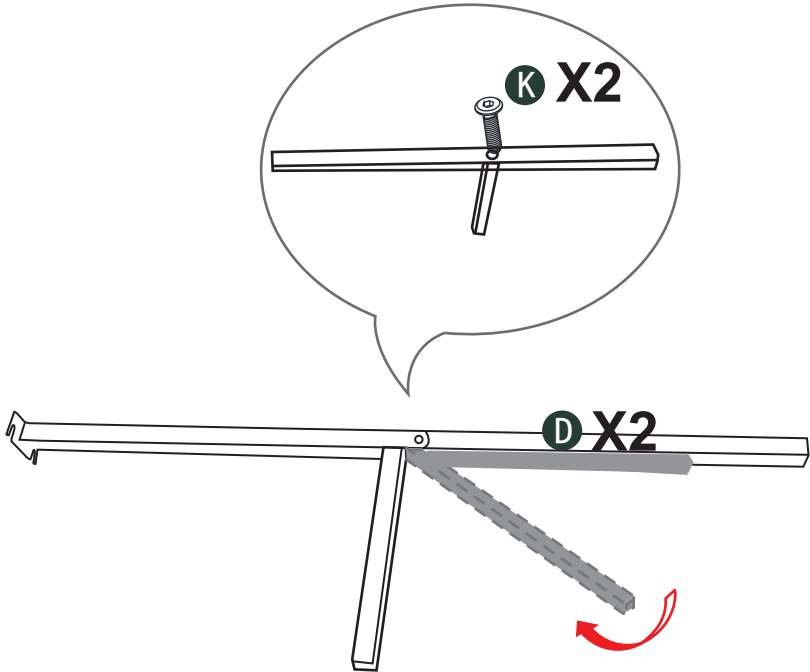
..... **M** X1 pc

**Step 2. Assemble the metal frame as below.**

K		4pc
M		1pc

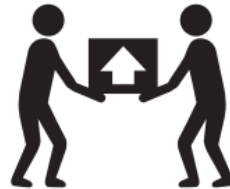
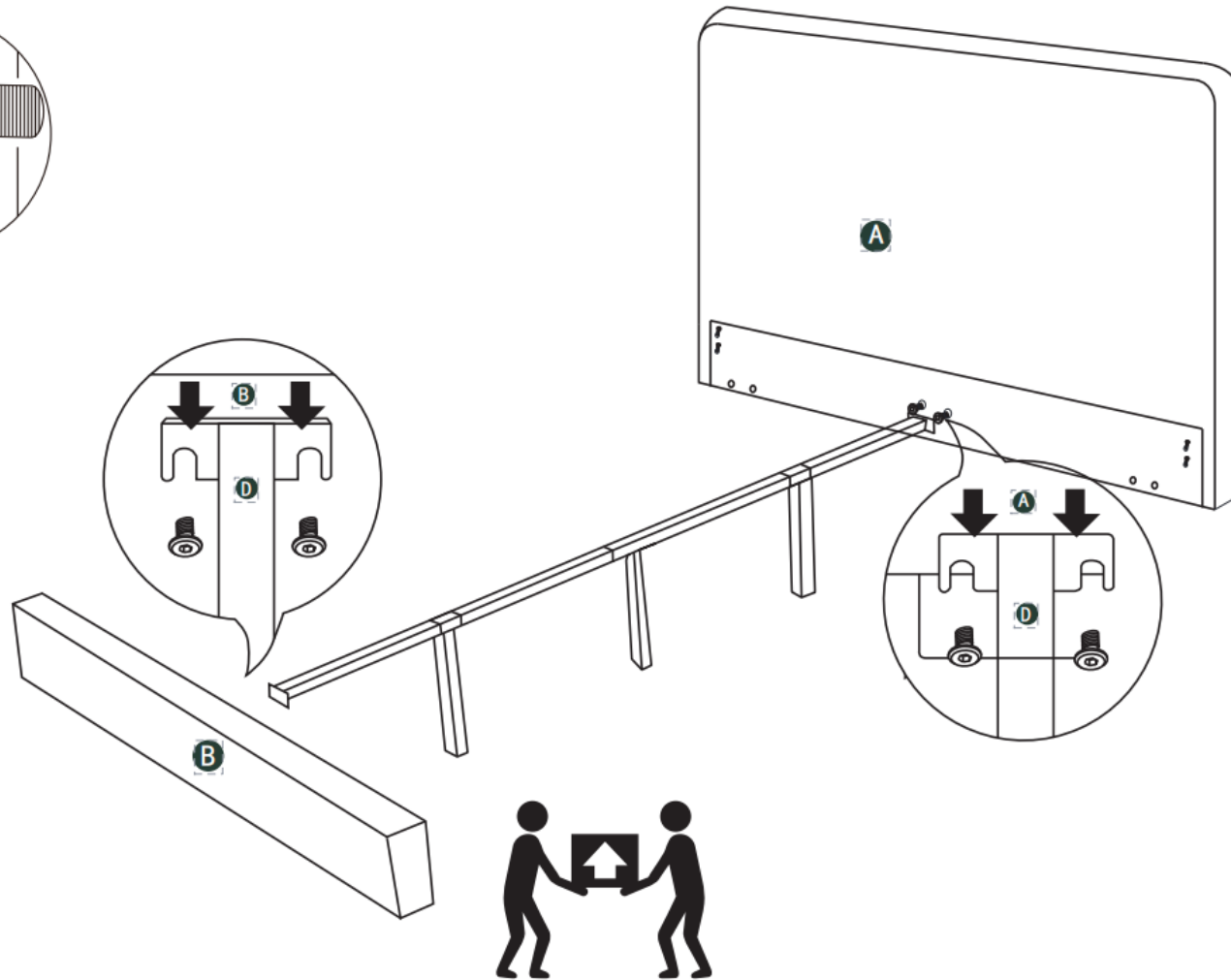
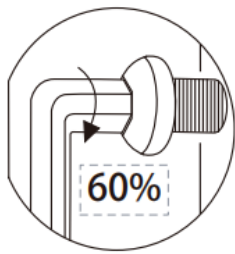


**⚠ Reminder: Tighten all bolts.**





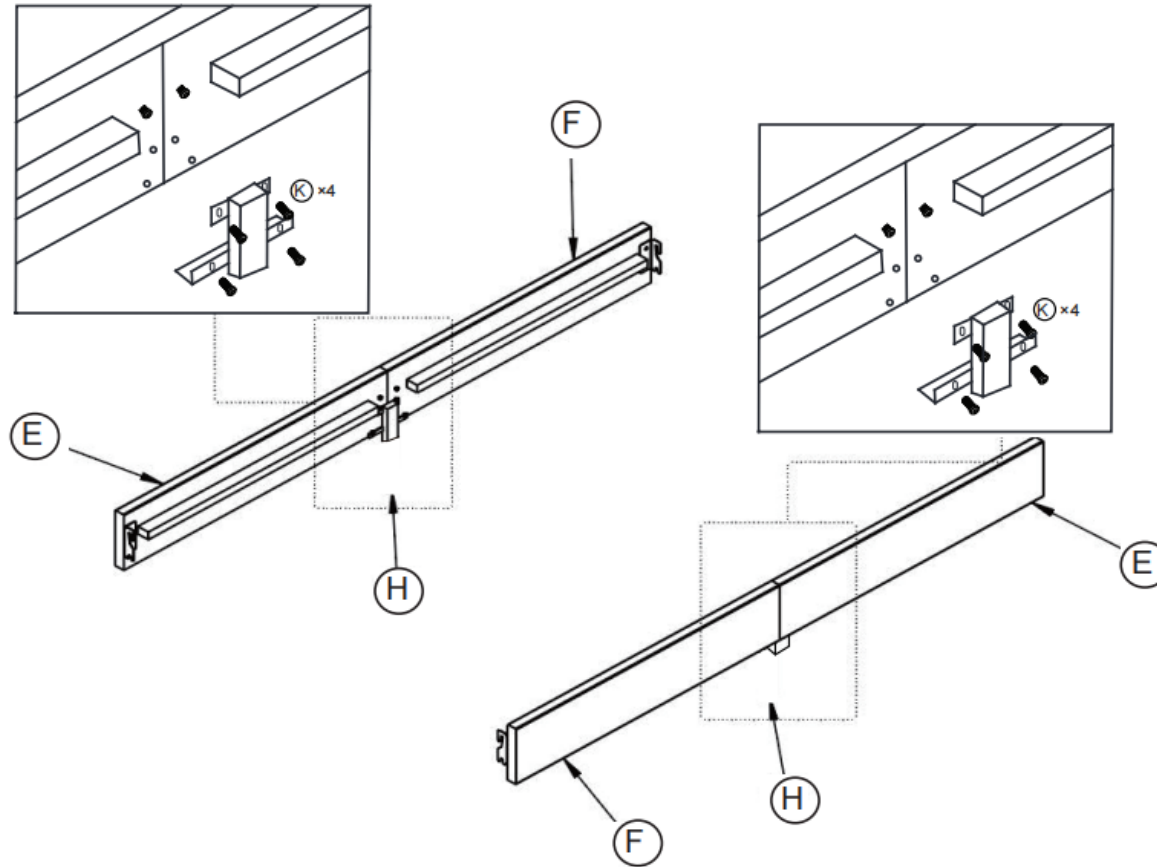
**Step 3. Assemble the metal frame and woodframe as below.**

---



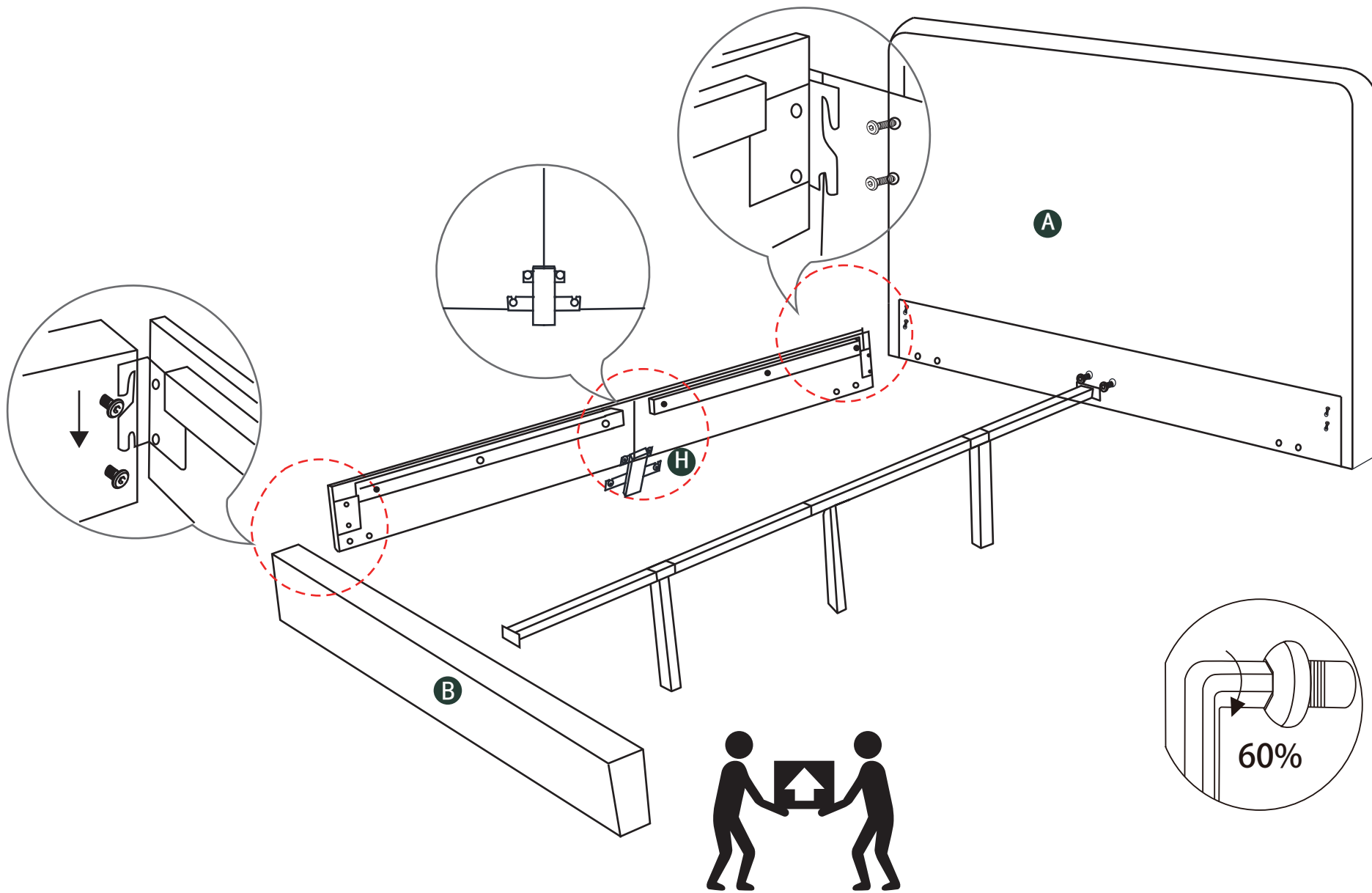
**Step 4. Assemble the metal legs(H) with the side panels as below.**

K		8pc
M		1pc



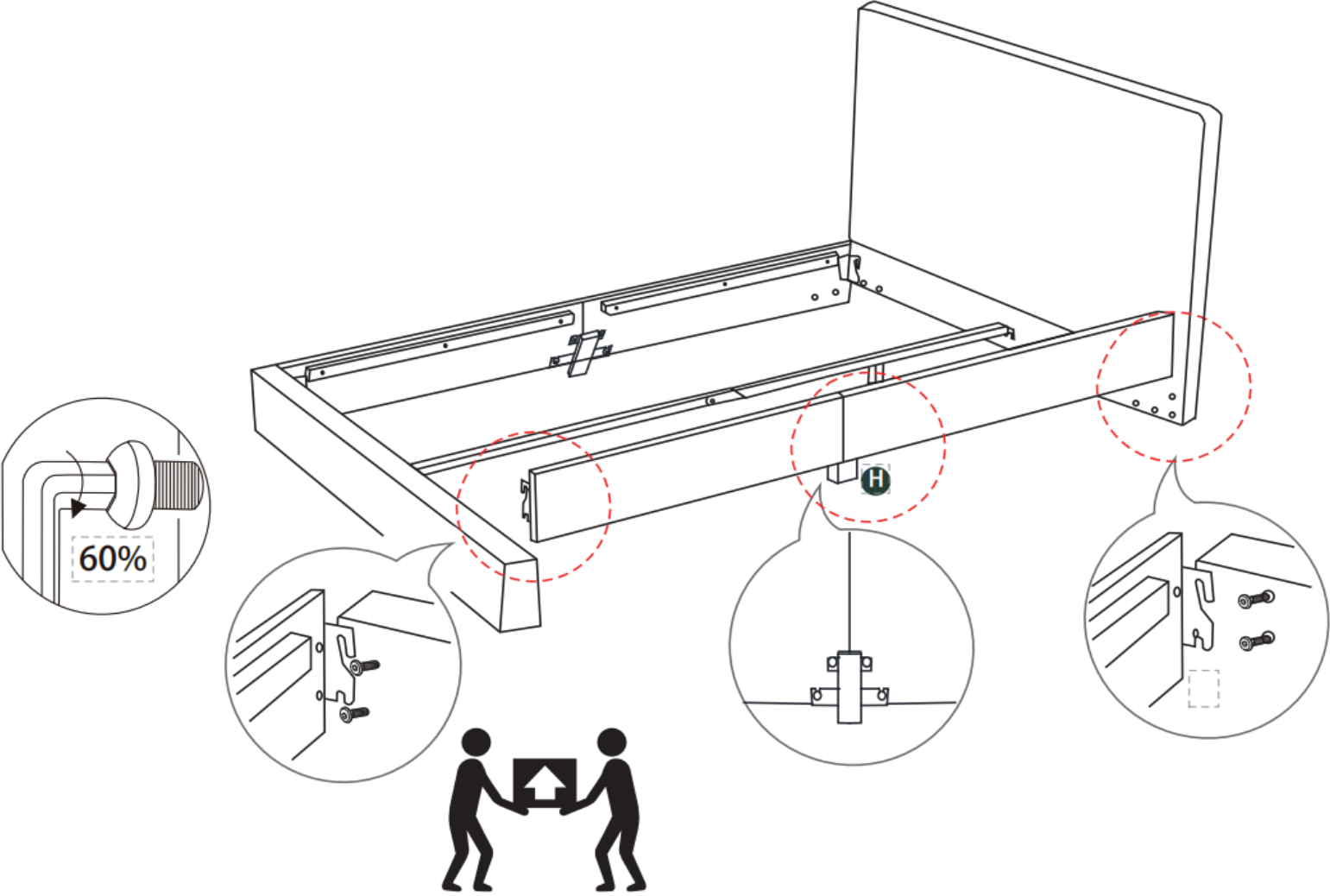
## Step 5. Assemble the side panels to the wood frame.

---





**Step 6. Assemble another side panels to the wood frame.**

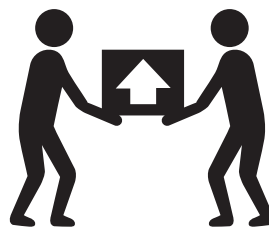
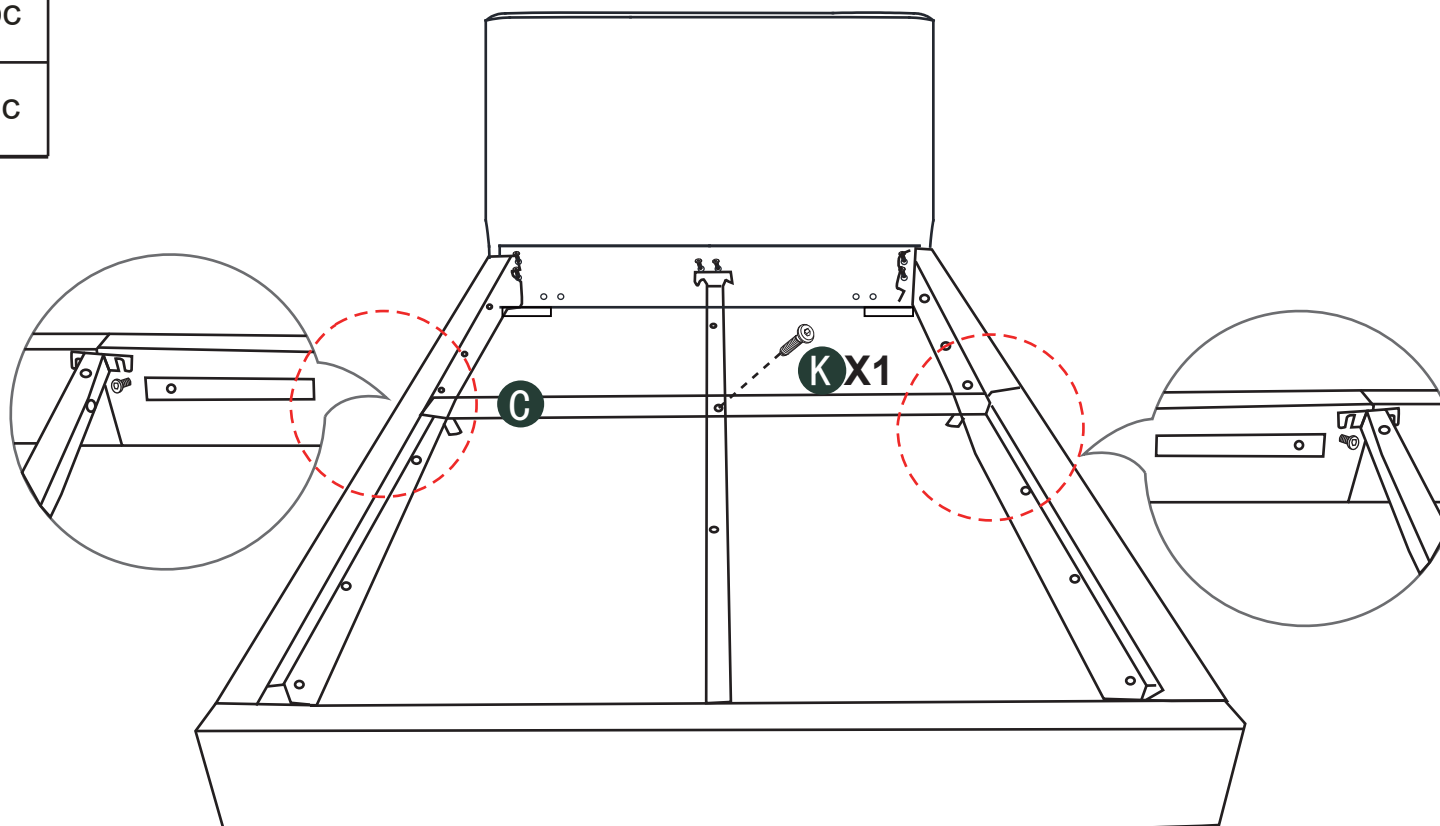
.....




## Step 7. Assemble the metal frame (C) as below.



.....

K		1pc
M		1pc



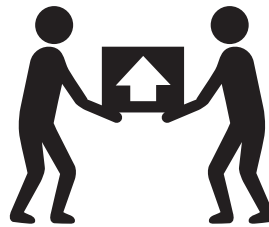
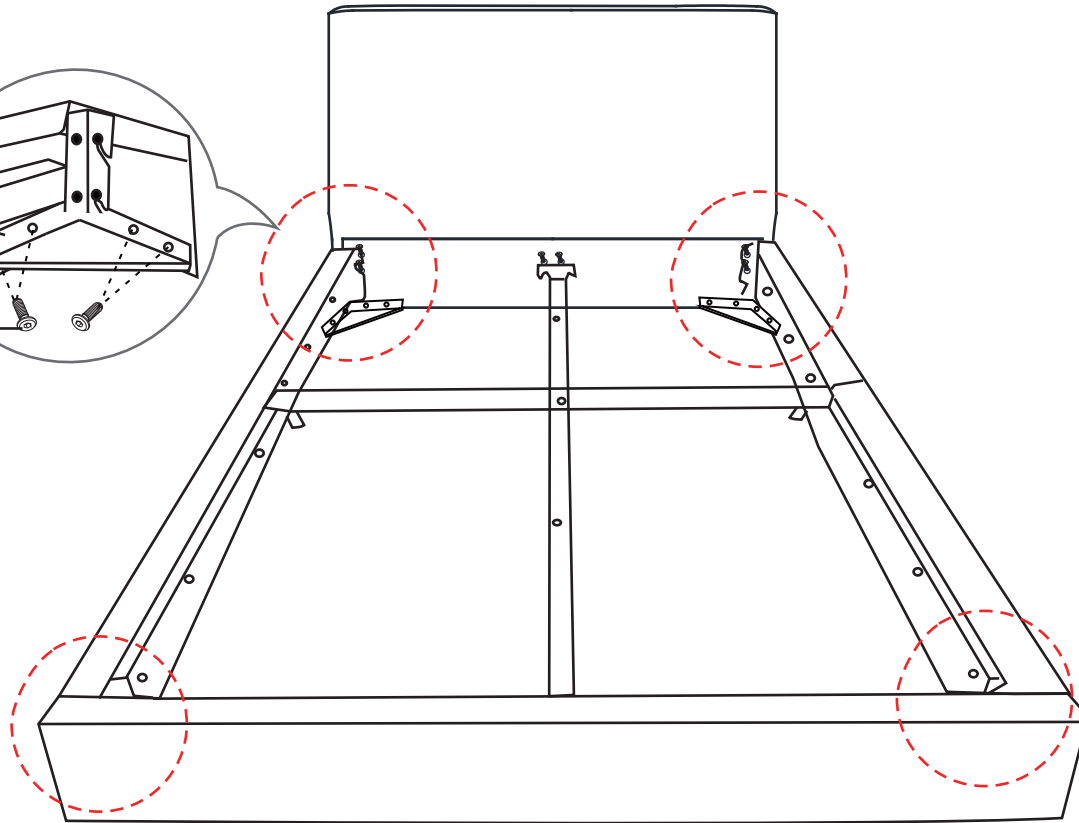
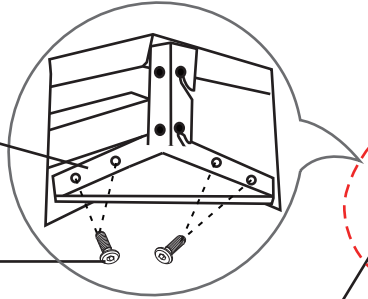
Reminder: Need two person to assemble this bed.  
Reminder: Before installing, unscrew the screws outward. 

## Step 8.1. Assemble the 4 triangle metal connections as below.

L		16pc
M		1pc

**J**X4

**L**X16



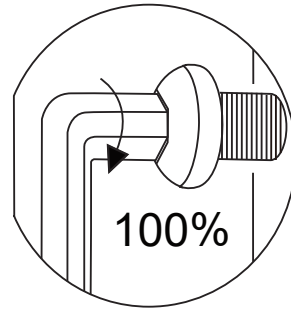
c

Reminder: Need two person to assemble this bed.  
Reminder: Before installing, unscrew the screws outward.

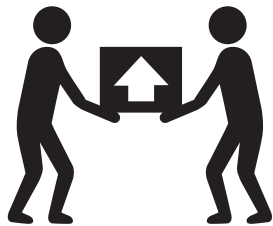
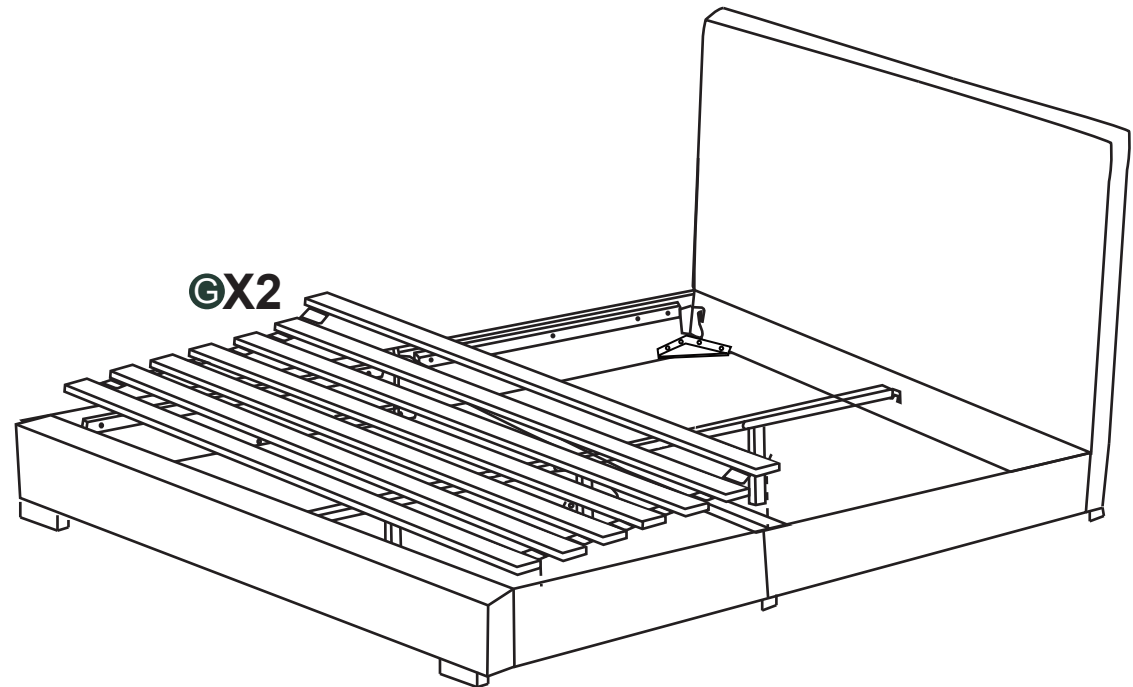
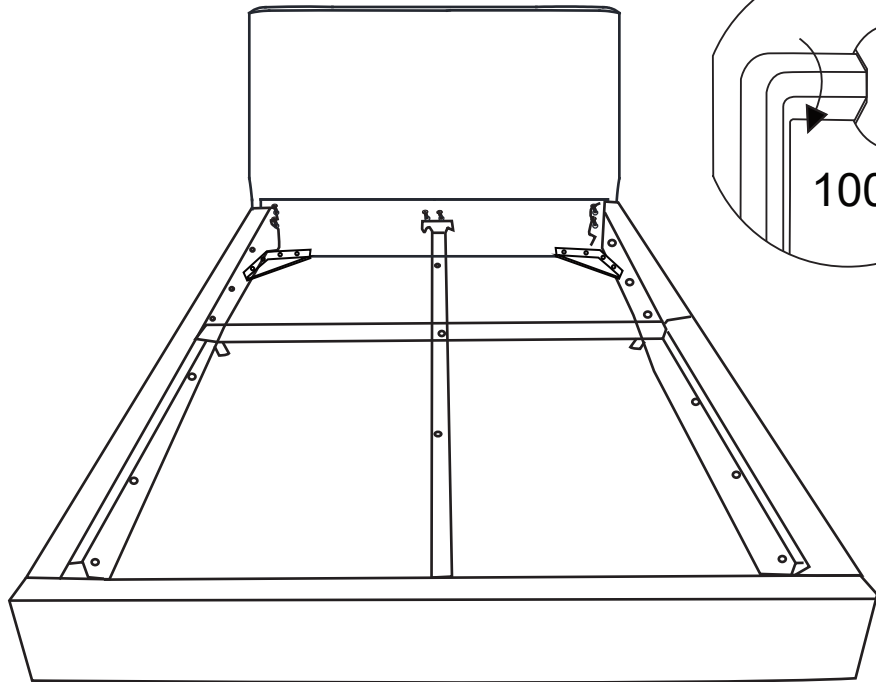


**Step 8.2. Tighten all bolts, then place the slat roll on the bed frame as below.**

.....



**⚠** Reminder: Tighten all bolts before place the slat roll.



**⚠** Reminder: Need two person to assemble this bed.

