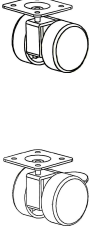
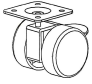


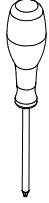



GENERAL GUIDELINES

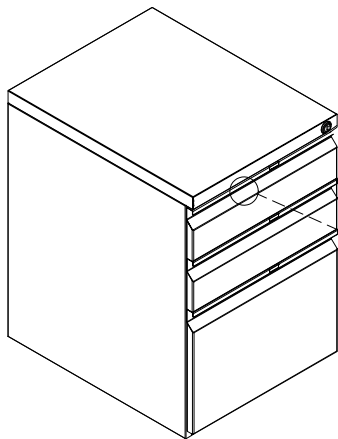
Please read the following instruction carefully and use the product accordingly.

Please contact us when further information and help are needed.

PARTS LIST	x2  x2 	x1 	x1 	x1 	x1 
PARTS LOCATION	The four parts listed above are packed in one bag inside the bottom drawer.				Key Secured Inside Drawer Handle with Yellow Tape

Installation Guide

Step 1



Key Secured Inside Drawer Handle with Yellow Tape.

Step 2

Slide the wheels into the slots.

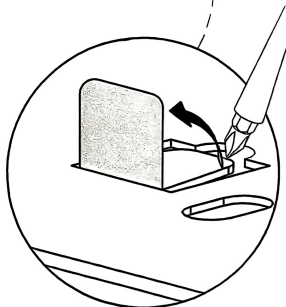
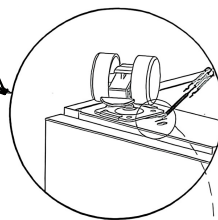
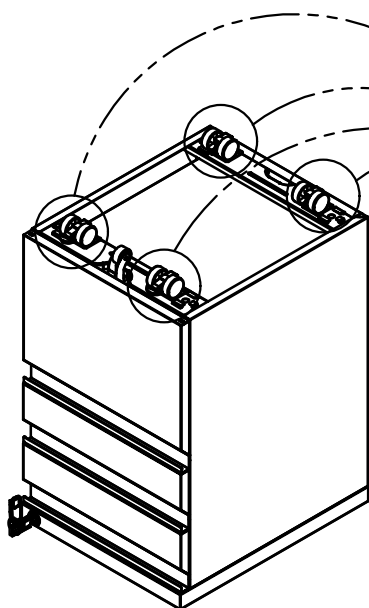
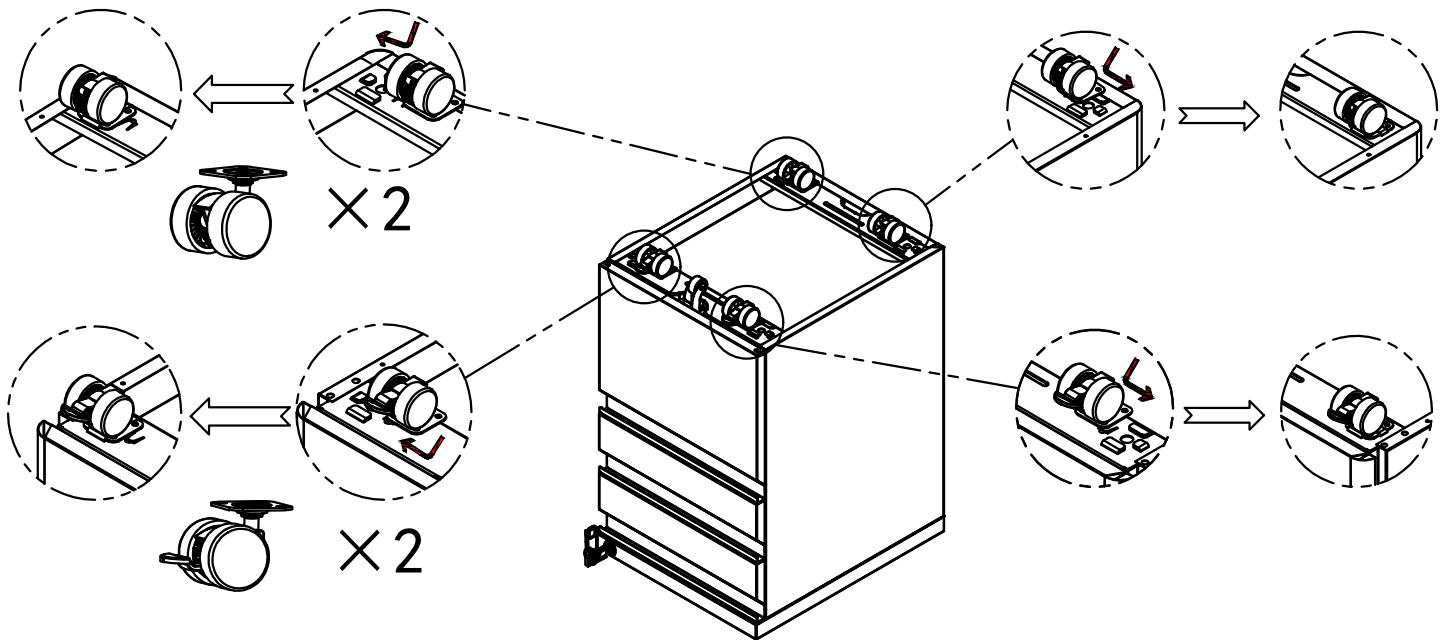
Install the two non-locking wheels on the rear side of the cabinet.

Install the two locking wheels on the front side of the cabinet.

Note: No screws are required to install these four larger wheels.

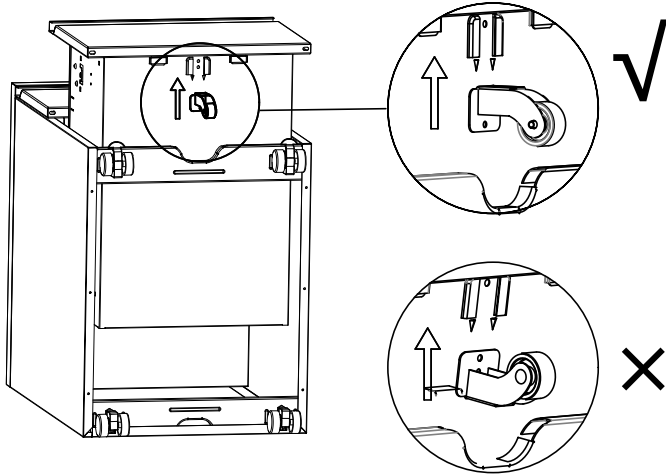


Wheels Installation Video

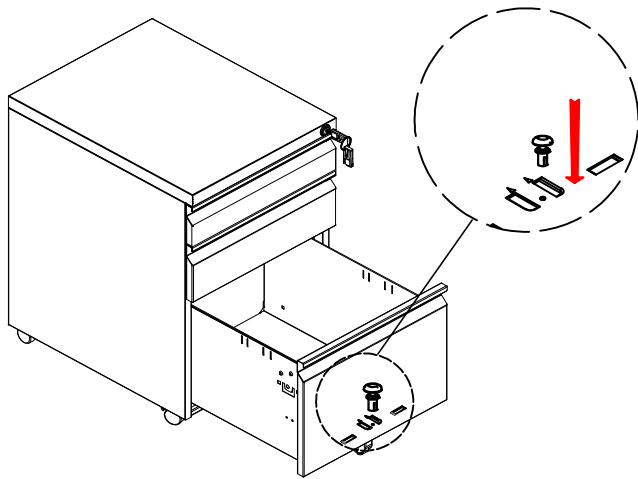


Use the screwdriver to bend the fixing tab to a 90-degree angle to secure the wheel.

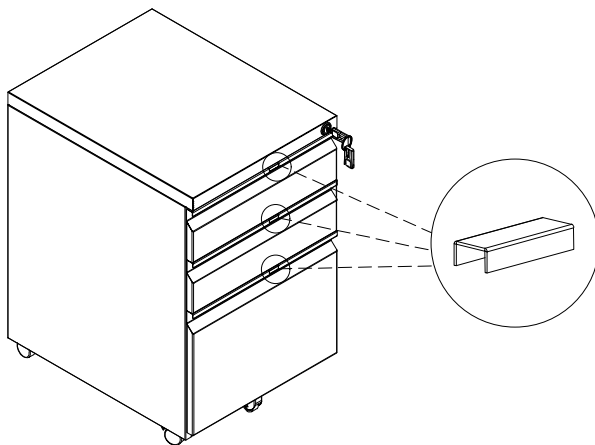
Step 3



Slide the small wheel into the slot.
Note: Ensure it is facing the correct direction.



Insert the clip from inside the drawer
to secure the wheel.



The white plastic sleeve is packaging
material and should be discarded.