

**GRAY PU SIDE CHAIR**  
24"×19"×39"

Your furniture purchase is an investment. Here are a few tips to maximize the lifetime of your furniture with a minimal amount of effort. Properly caring for your furniture can help ensure that it looks great year after year.

**Wood Furniture Maintenance:**

- Always dust, wipe, and clean with the grain of the wood.
- Dust with a soft cloth. Dust will scratch the furniture surface if not removed properly.
- If a polished surface becomes cloudy, rub it with a cloth dipped in a solution of one tablespoon vinegar to one quart of water. Rub softly with the grain until the surface is completely dry.
- Soap and water are not advisable for wood surfaces. Water can penetrate the finish and raise the grain on wood, causing damage.
- Remember to change dusting cloths frequently as dirty cloths may scratch your furniture's surface.

**The Enemies of Wood:**

- Moisture is wood's worst enemy. Liquid spills should be gently wiped up immediately. Coasters should be used under all beverages.
- Do not allow rubber or vinyl materials to lie on the furniture. Chemicals in rubber may leave a stain. Put a strip of felt or leather under accessories that have rubber or vinyl.
- Heat creates a chemical change in the furniture's finish, which may result in a white spot. Use protective pads under hot dishes, appliances, etc.
- Sunlight's ultraviolet rays can damage the finish of furniture. Do not place furniture directly against a heater or radiator and do not place in the path of hot streams of air from central heating. This will cause extreme localized drying of the wood.

**Marble Top Maintenance:**

The surface of the marble on your table has been polished and sealed to create a generally non-porous surface. The stone has many natural characteristics including veining, hairline cracks, and color variations, which make up the stone's beauty.

To maintain the beauty of your marble:

- Protect surfaces from scratching, staining and etching by:
  - Keeping them free of debris or sharp objects.
  - Wiping up spills immediately
  - Avoiding contact with chemicals (particularly acid-based materials)
- Clean with PH neutral products or those especially formulated for use on stone.
- It is not recommended to use a water-based solvent for dark marble as it will remove the polish from the surface.

**Caring for the Fabric on Upholstered Furniture:**

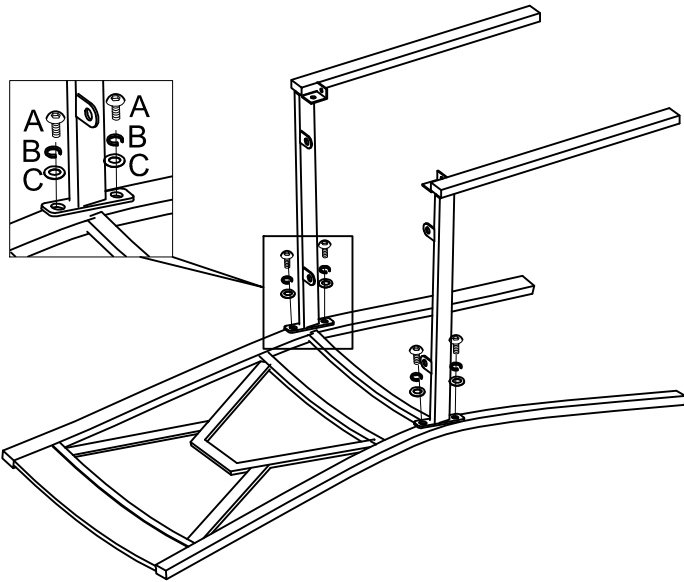
- Frequent vacuuming of the entire upholstered area will prevent dust from settling into the fibers.
- Professional cleaning is always recommended for all upholstered pieces.
- Do not use cleaning products containing brightening agents.

| <b>VERY IMPORTANT!!</b>  |   |   |  |
|--|---|---|--|
| <p><b>NEVER</b><br/>USE GLASS CLEANERS ON FINISHED SURFACES. AMMONIA WILL CHEMICALLY ATTACK THE FINISH.</p>                                | <p>DO NOT WRITE DIRECTLY ON SURFACE </p> <p><b>PREVENT MARKING</b></p>           | <p>DO NOT PLACE DIRECTLY IN SUNLIGHT </p> <p><b>PREVENT FADING</b></p>                | <p>DO NOT USE PLACEMATS WITH RUBBER BASES </p> <p><b>PREVENT DISCOLORING</b></p>      |
| <p><b>NEVER</b><br/>ALLOW LIQUIDS OF ANY KIND TO LINGER ON SURFACES. ABSORPTION CAUSES THE WOOD TO WARP AND THE FINISH TO DE-LAMINATE.</p> | <p>DO NOT USE COMMERCIAL POLISHES AND WAXES </p> <p><b>PREVENT YELLOWING</b></p> | <p>DO NOT PLACE HOT POTS, ETC ON SURFACE </p> <p><b>PREVENT DAMAGE TO FINISH!</b></p> | <p>REGULATE THE HUMIDITY CONDITIONS AT YOUR HOME </p> <p><b>PREVENT SPLITTING</b></p> |

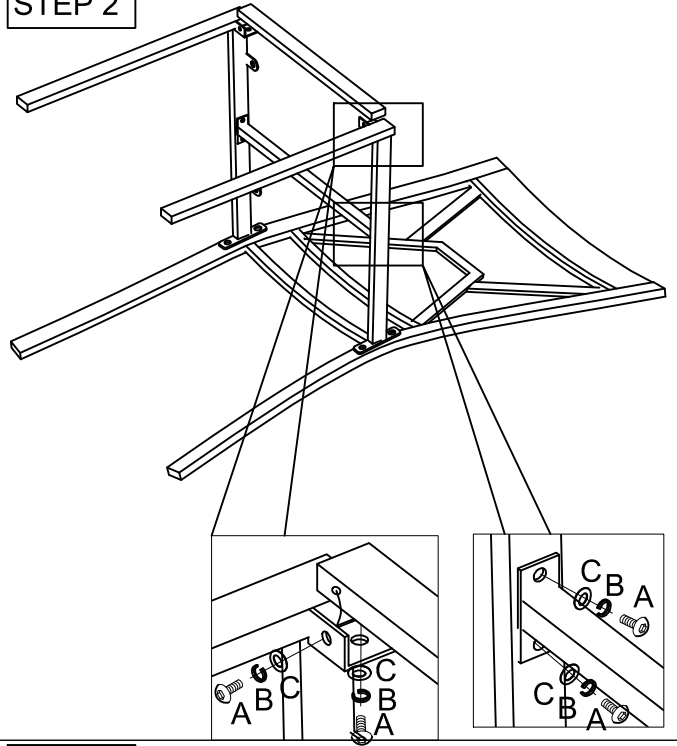
# Assembly Instruction

Do not tighten screws & bolts until the entire item is completely assembled.

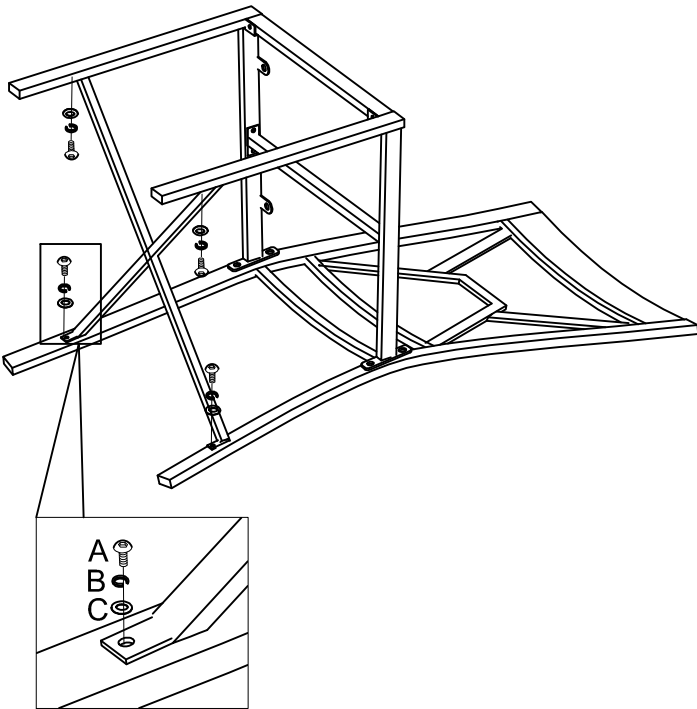
STEP 1



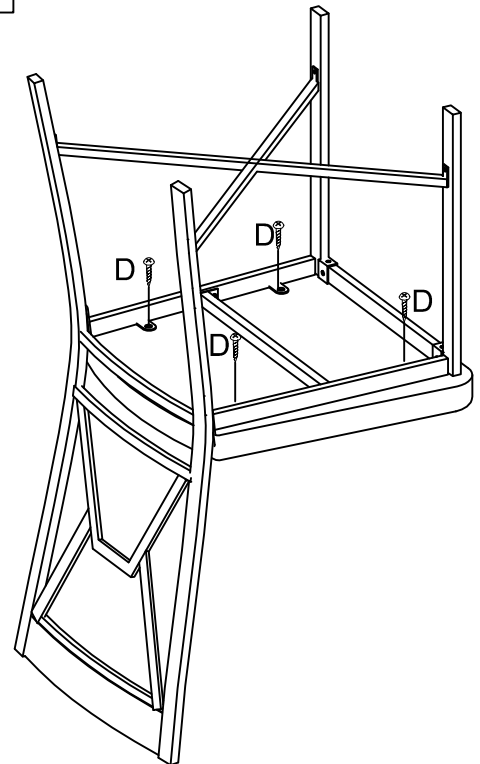
STEP 2



STEP 3



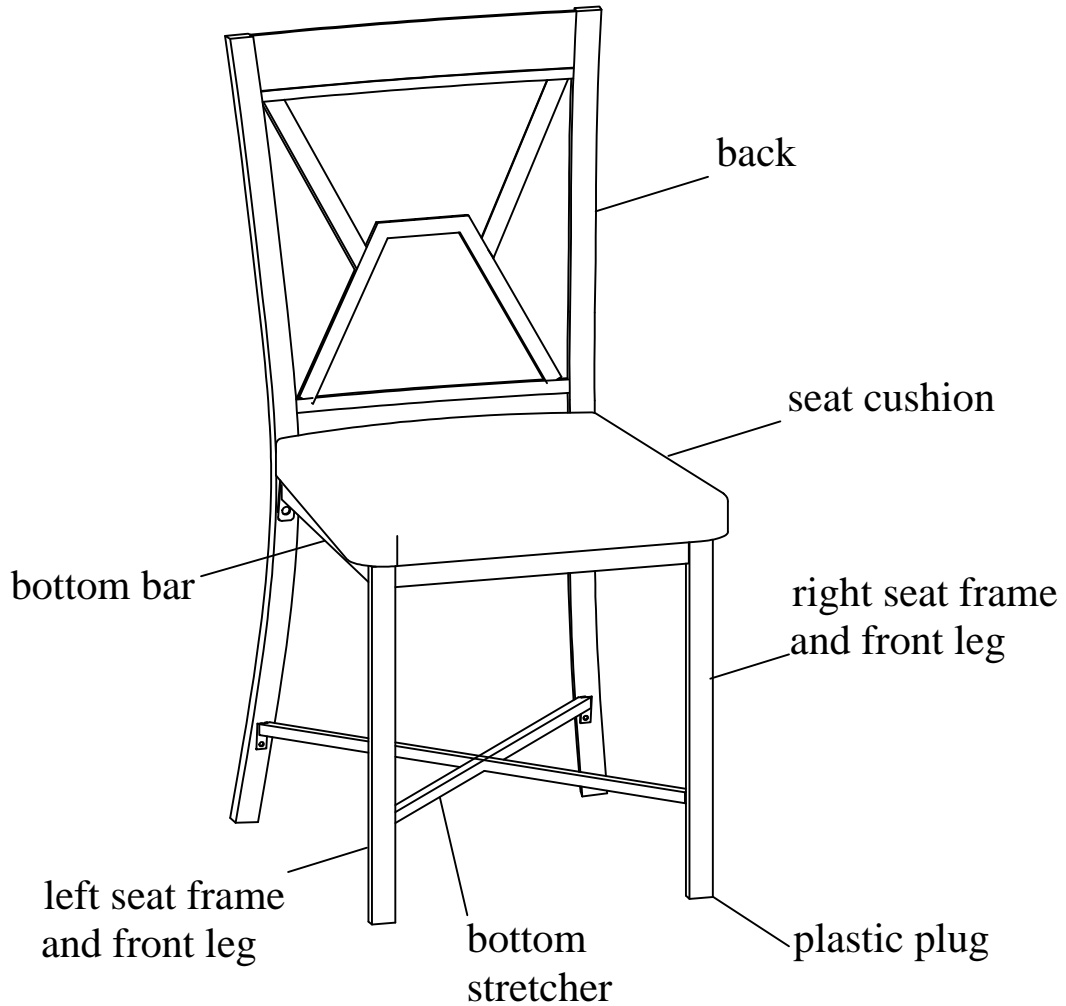
STEP 4



## Hardware Pack

|   |  |       |           |
|---|--|-------|-----------|
| A |   | 32PCS | 1/4"*15mm |
| B |   | 32PCS | Ø6.5mm    |
| C |   | 32PCS | Ø6.5mm    |
| D |   | 8PCS  | Ø6.5mm    |
| E |  | 1PC   | 4mm       |

# Complete Hardware



| PRODUCT DETAILS |                 |
|-----------------|-----------------|
| BACK            | IRON +PLYWOOD   |
| FRAME AND LEG   | IRON            |
| STRETCHER       | IRON            |
| COLOR OF PU     | GRAY            |
| COLOR OF METAL  | BLACK           |
| PRODUCT SIZE    | 24"×19"×39"     |
| CARTON SIZE     | 45"×20.5"×9.25" |
| NET WEIGHT      | 36.5LBS         |
| GROSS WEIGHT    | 44LBS           |
| CU.FT.          | 4.94'           |

MADE IN CHINA