

DREAMS

IDEA

Instruction Manual



DREAMS/DEA

NO.OD0007(D)-LOVESEAT

ABOUT US

*D*REAMSIDEA IS A ONE-STOP HOME

FURNISHING AND SERVICE COMPANY BASED IN USA.

WE ARE DEDICATED TO BRINGING YOUR DREAM HOME TO LIFE.

OUR SERVICES COVER FROM DESIGN, PRODUCTION,

DIRECT SELL, STORAGE, AND TRANSPORTATION.

IF REALITY IS THE NEAR SHORE

AND IDEALISM THE FAR SHORE,

*D*REAMSIDEA

AS THE FERRY BETWEEN THEM,

EAGER TO ACCOMPANY YOU ON A JOURNEY

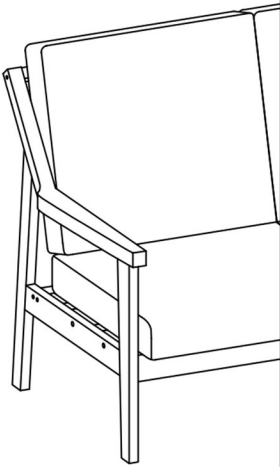
TO YOUR IDEAL HOME.



ITEM NO.OD0007(D)-LOVESEAT

WARRANTY

We strive to offer high quality product and we also try our best to satisfy each customer that order from us, no matter on products or services as needed. Each customer receives a record of their order, such as the order number or item receipt. For any items that are out of warranty period, you may still be able to purchase the replacement parts from our company if they are available.



Are you having difficulty
with assembly? Missing parts?
Please contact us : info@firstopintl.com
Tel:(562)-781-3327

send an email with your order No. to us
For return, please check the return policy with
the retailer or platforms you bought from.
Appreciate your purchasing from us.
Pop up your life by our furniture !

MAINTENANCE AND WARNING

Please read the manual thoroughly
before you start installing.

Please keep the product away from
sharp object.

Packaging and small parts may have
chocking hazard, please keep them away
from children and pets.

Please clean the product according to each
clean code, check the product description
for more information.

Please keep the product away from
fire.

If you have any other questions, please
contact us, we will be glad to help you out.

If the product is placed under direct
sunlight, the pattern or color might fade
away overtime.

Check the product periodically to make
sure everything is secured and tightened.

Always use proper tools for installation.

Do not jump on the product.



Around 25 min

PRDOUCT DESCRIPTION

Crafted with a solid teak wood frame that supports up to 400 lbs, offering lasting strength and reliability.

Water-resistant cotton-blend fabric cushions resist rain, dirt, and stains, making maintenance effortless.

The open-arm design features beautiful woodgrain details, adding artistic flair to any outdoor space.

Plush cushions filled with high-density foam and synthetic fiber offer exceptional comfort and ergonomic support.

A clean, minimalist silhouette makes it easy to pair this loveseat with a variety of patio or garden styles.

Dream

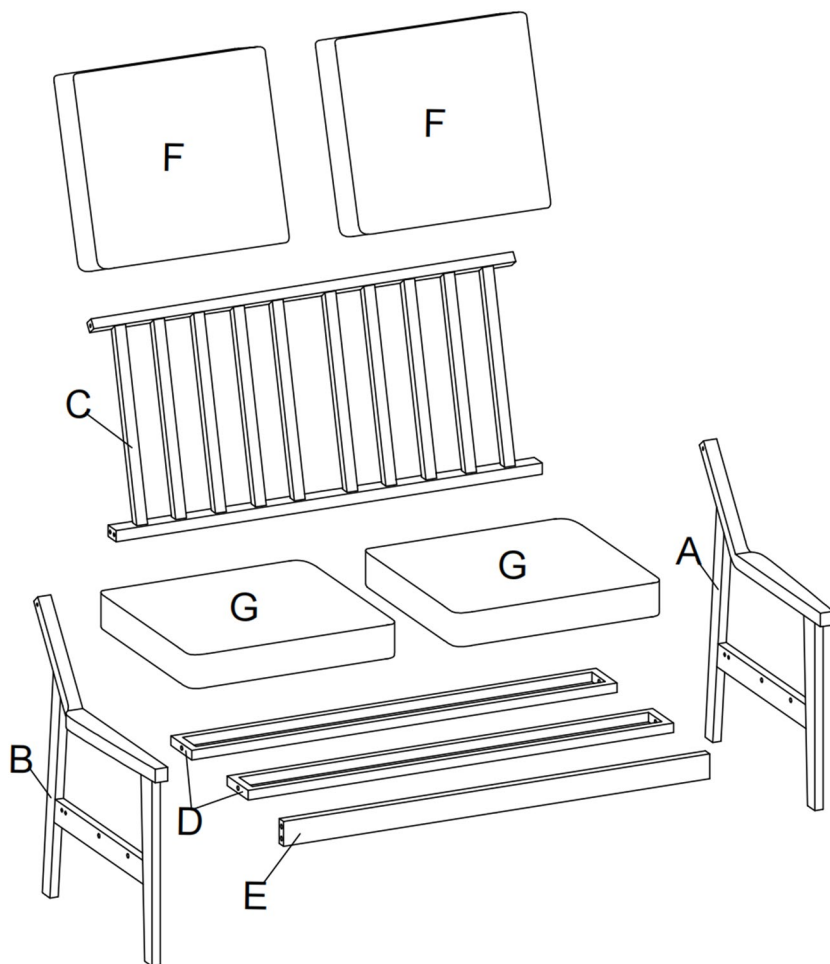


House

EXPLODED VIEW

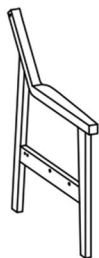


The product's left and right are determined by sitting posture



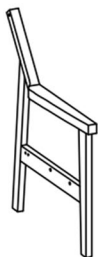
PARTS

A*1



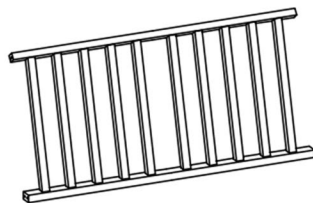
Left arm

B*1



Right arm

C*1



Back frame

D*2



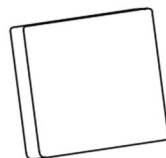
Seat frame

E*1



Front rail

F*2



Back cushion

G*2



Seat cushion

L*2



Seat cushion cover

HARDWARE

TOOL LIST

NOTE: Designated with (★) We provide additional spare parts in the hardware package

①*4



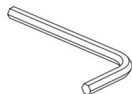
M6*45mm
Bolts

②*10



★ M6*50mm
Bolts

③*1



Allen key

④*10



★ Vertical nut

⑤*14



★ Black hole
cover

⑥*14



★ Ø6*14mm
Flat washer

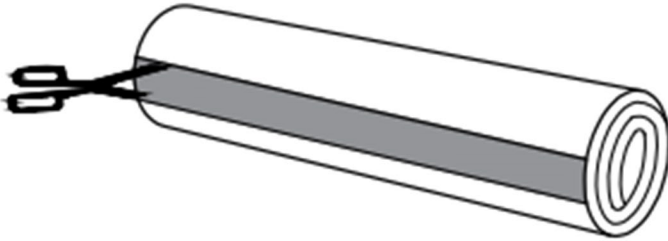
Please make sure all hardware&packing material fitting the list. Especially some small accessories may be missing during transportation. Please contact us if you have any question.

step 1 ---Plastic air compression bags

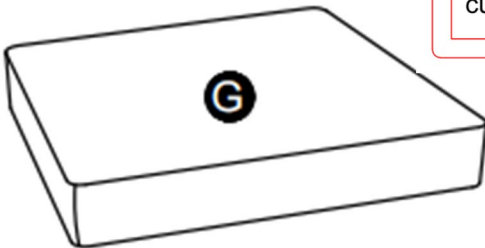
After taking out the cushions (G) from the air compression bags, please allow them to recover for a period of time. It may take up to **48** hours to fully recover. You can gently slap them to speed up the process.



Please exercise caution when opening the packaging to avoid injury or damage to the product.



Use care when opening the bag to avoid injury from sudden expansion. Keep away from face and body while cutting.

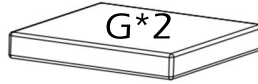
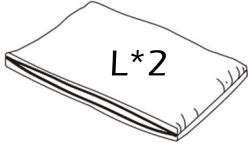


x2

step 2 ---Put on the cushion cover

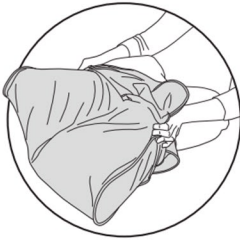
How to Put on the Cushion Cover

1



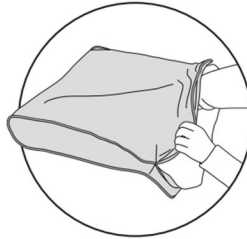
1. Take the cushion covers and inners out of the carton.

2



2. Fold the inner in half, pushing the sides together, then begin to slide the cover onto it.

3



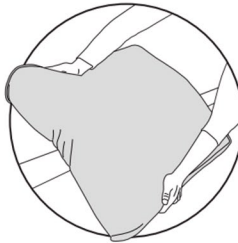
3. Align both far corners, then gently compress insert while fitting cover around it.

4



4. To avoid a stuck zipper, please pull the fabric away from the zipper before moving forward.

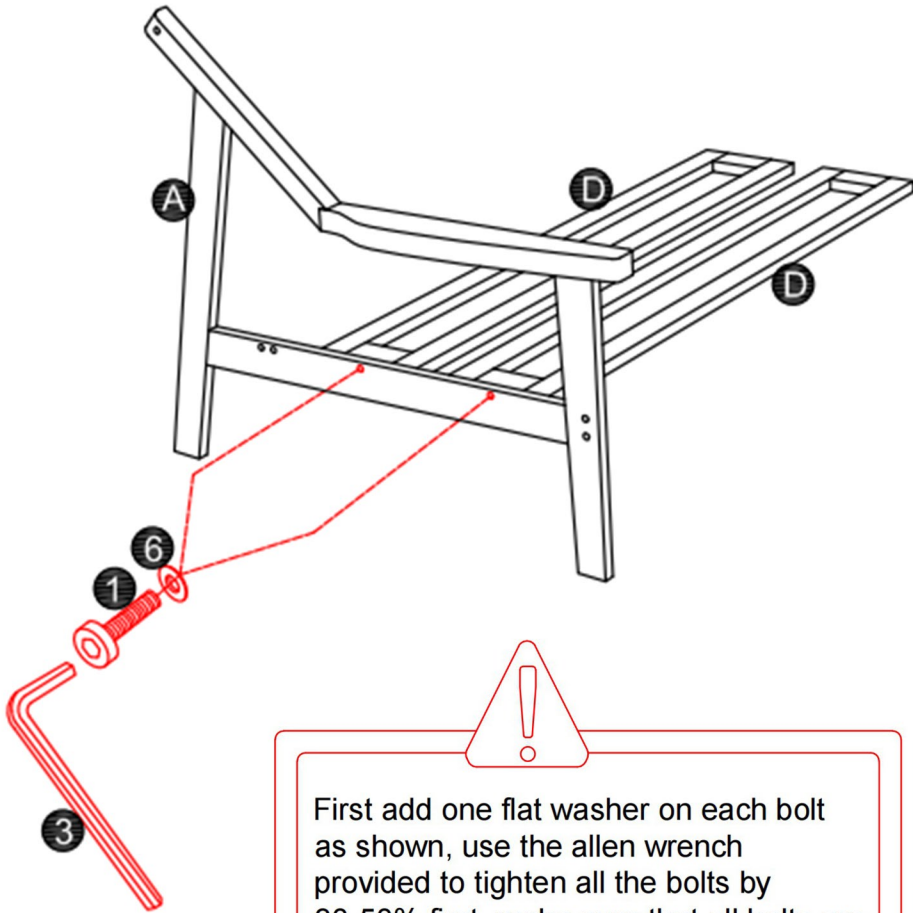
5



5. When all done, please pat the cushion or give it a little shake to make it more flat.

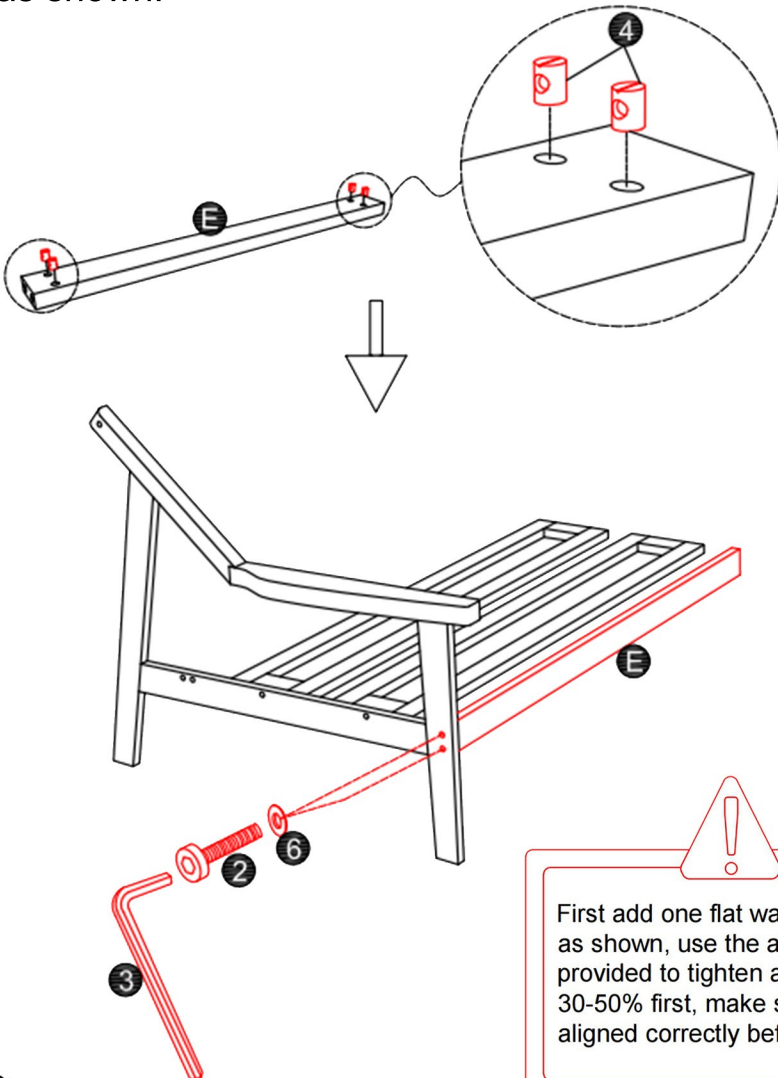
step 3 ---Install the right armrest and seat frame

Align Seat Frame (D) with the Right Armrest (A). Use Screws (1) & flat washer (6) to attach from the inside, tightening with Allen Wrench (3) provided.



step 4 ---Install the front rail

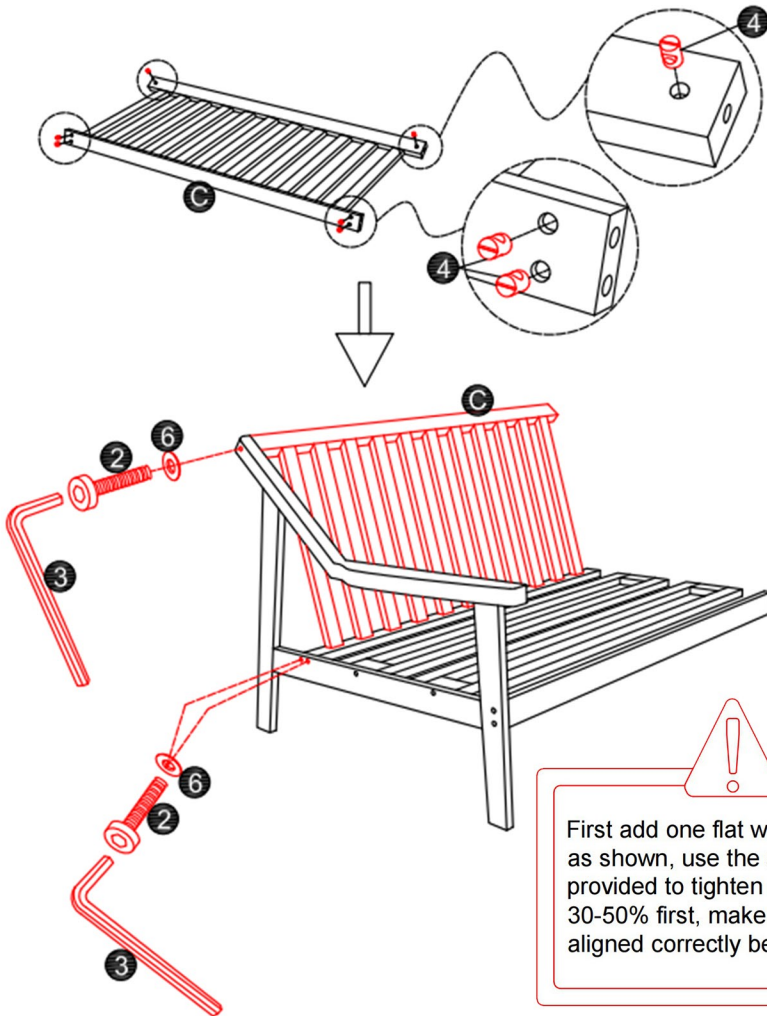
Insert Vertical Nuts (4) into the designated holes of each support bar (E) as shown. Make sure the holes are aligned with the screw holes on the sides. Use Screws (2) & flat washer (6) and Allen Wrench (3) provided to attach the bars to Armrest (A) as shown.



! First add one flat washer on each bolt as shown, use the allen wrench provided to tighten all the bolts by 30-50% first, make sure that all bolts are aligned correctly before fully tightening.

step 5 ---Install the backrest

Insert Vertical Nuts (4) into the designated holes of each back frame (C) as shown. Make sure the holes are aligned with the screw holes on the sides. Align the Backrest Frame (C) with the holes on armrest as shown. Secure with Screws (2) & flat washer (6) on both sides and tighten firmly as shown.



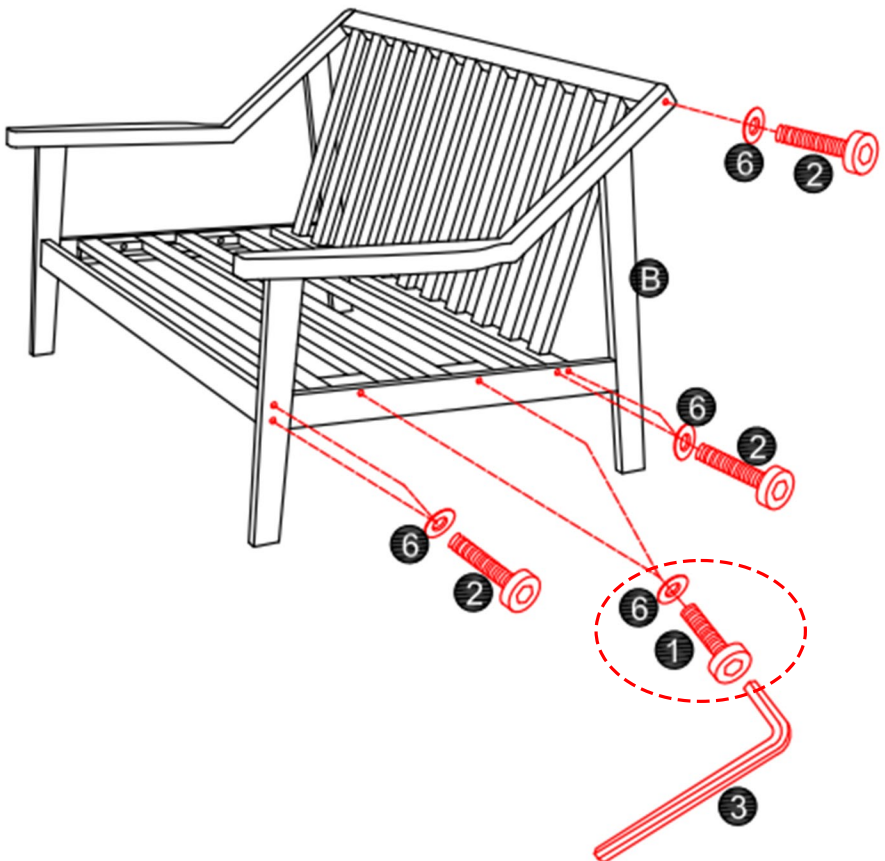
First add one flat washer on each bolt as shown, use the allen wrench provided to tighten all the bolts by 30-50% first, make sure that all bolts are aligned correctly before fully tightening.

step 6 ---Install the Left armrest

Position Left Armrest (B) over connection points. Tighten all Screws (1&2) & flat washer (6) on armrest to back frame and seat frame as shown.

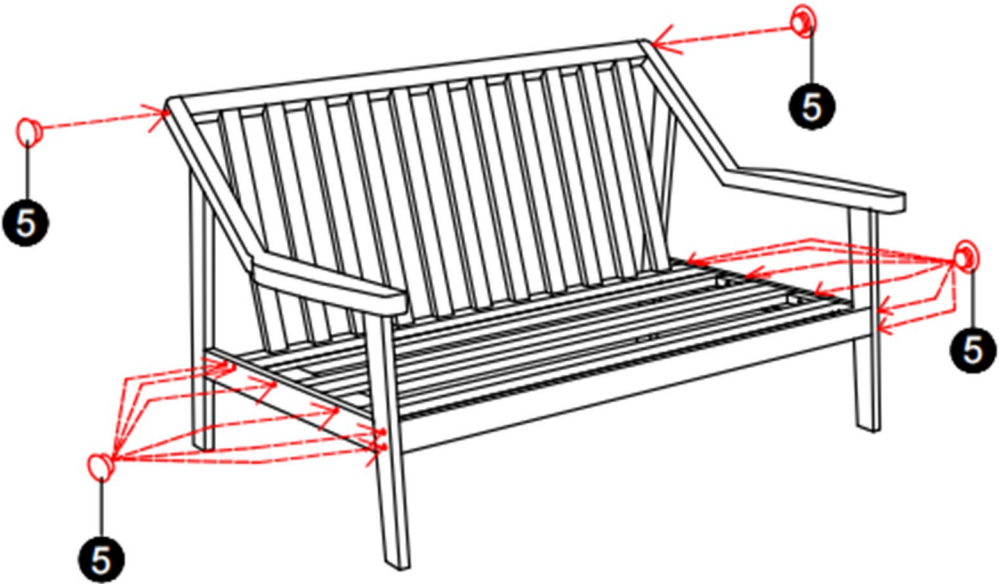


First add one flat washer on each bolt as shown, use the allen wrench provided to tighten all the bolts by 30-50% first, make sure that all bolts are aligned correctly before fully tightening.



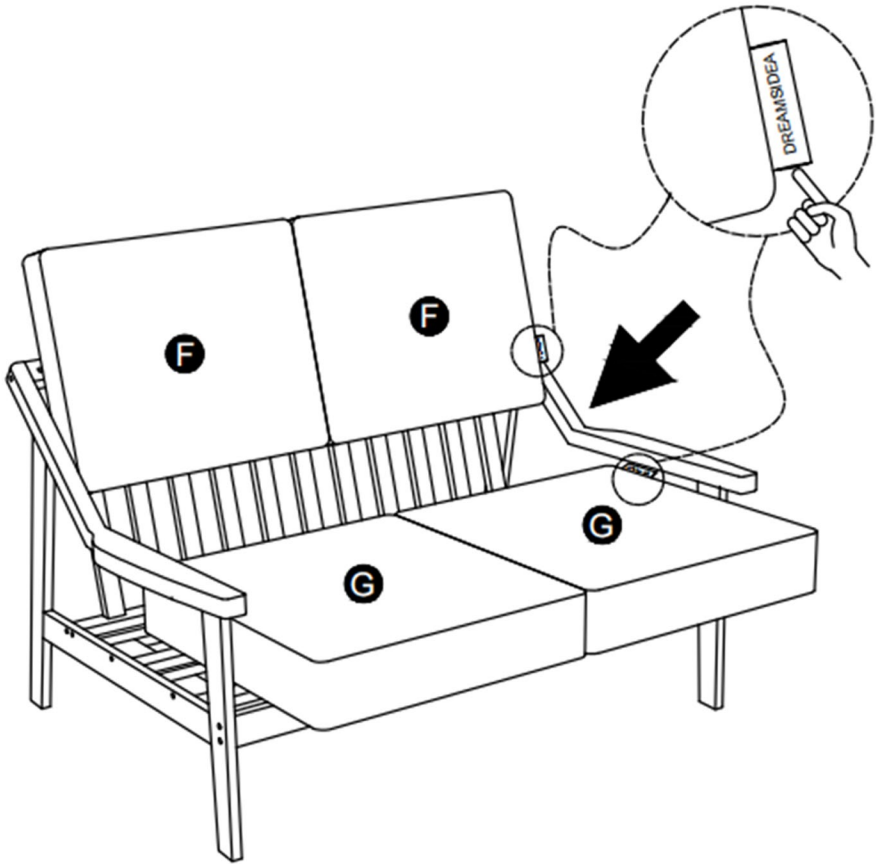
step 7 ---Install the Plastic Caps

Cover each screw hole with Plastic Caps (5). Press down firmly until flush with the surface.



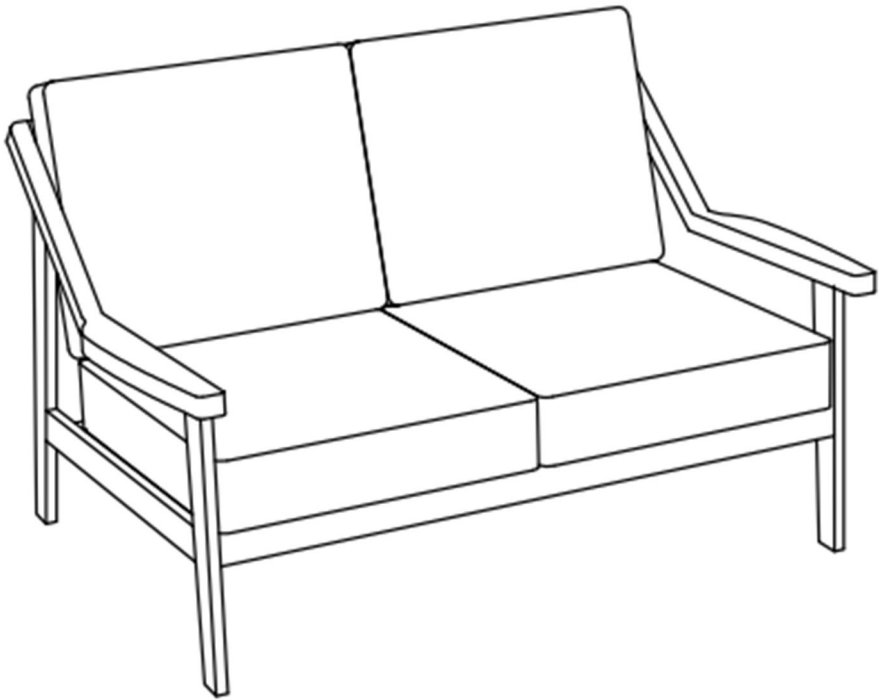
step 8 ---Place the seat &back cushion

- 1.Place the Seat Cushion (G) with the tag side up.
- 2.Place the Back Cushion (F) against the backrest with the tag facing front as shown.



step 9 ---Assemble complete

Place the chair properly and tidy it up to make it look nice.
Assembly is complete. Thank you for choosing our product!
Please enjoy!



Come with multiple choices of upholsteries and colors.







ASSEMBLY INSTRUCTIONS

Tel.(562)-781-3327

Please contact us:info@firstopintl.com

<https://www.dreamsidea.com>