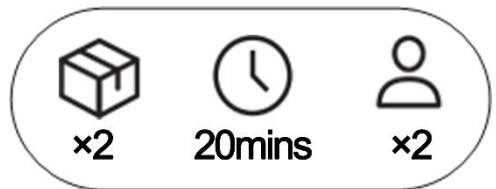
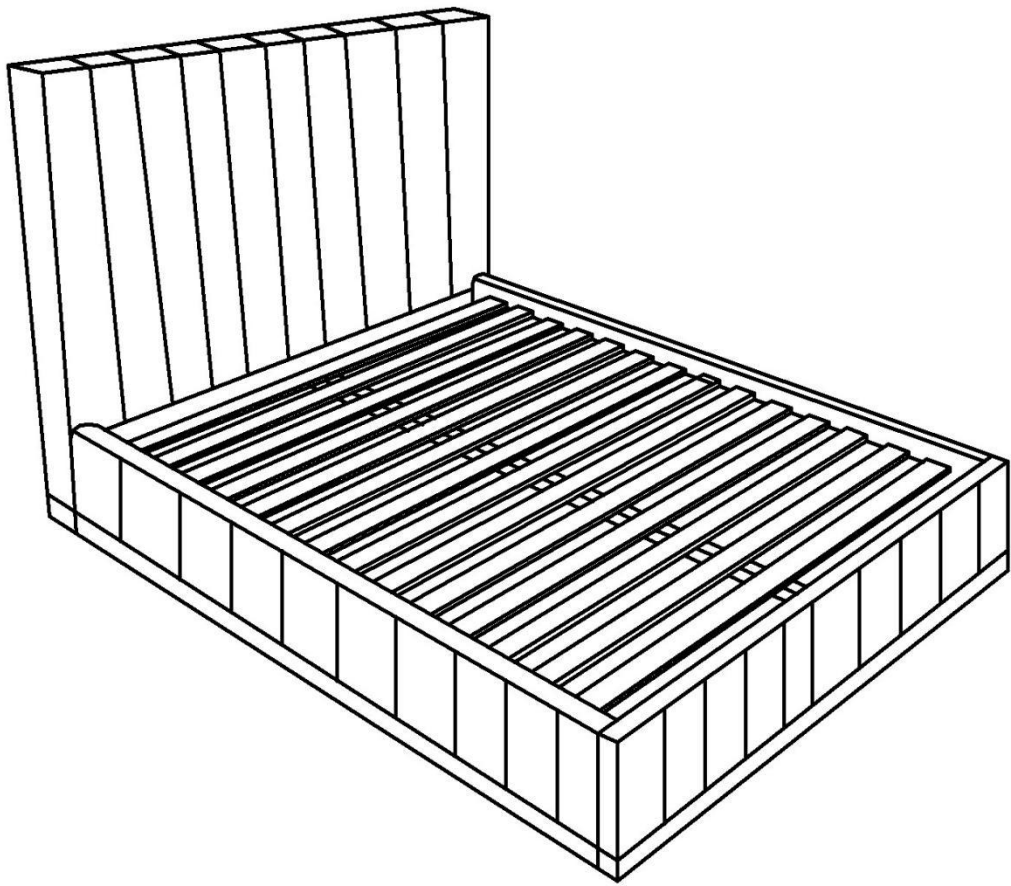
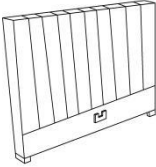

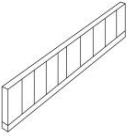



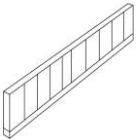



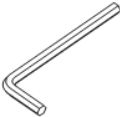

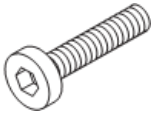
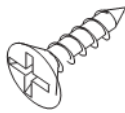

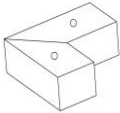


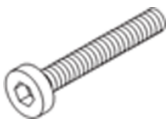
# BED FRAME ASSEMBLY



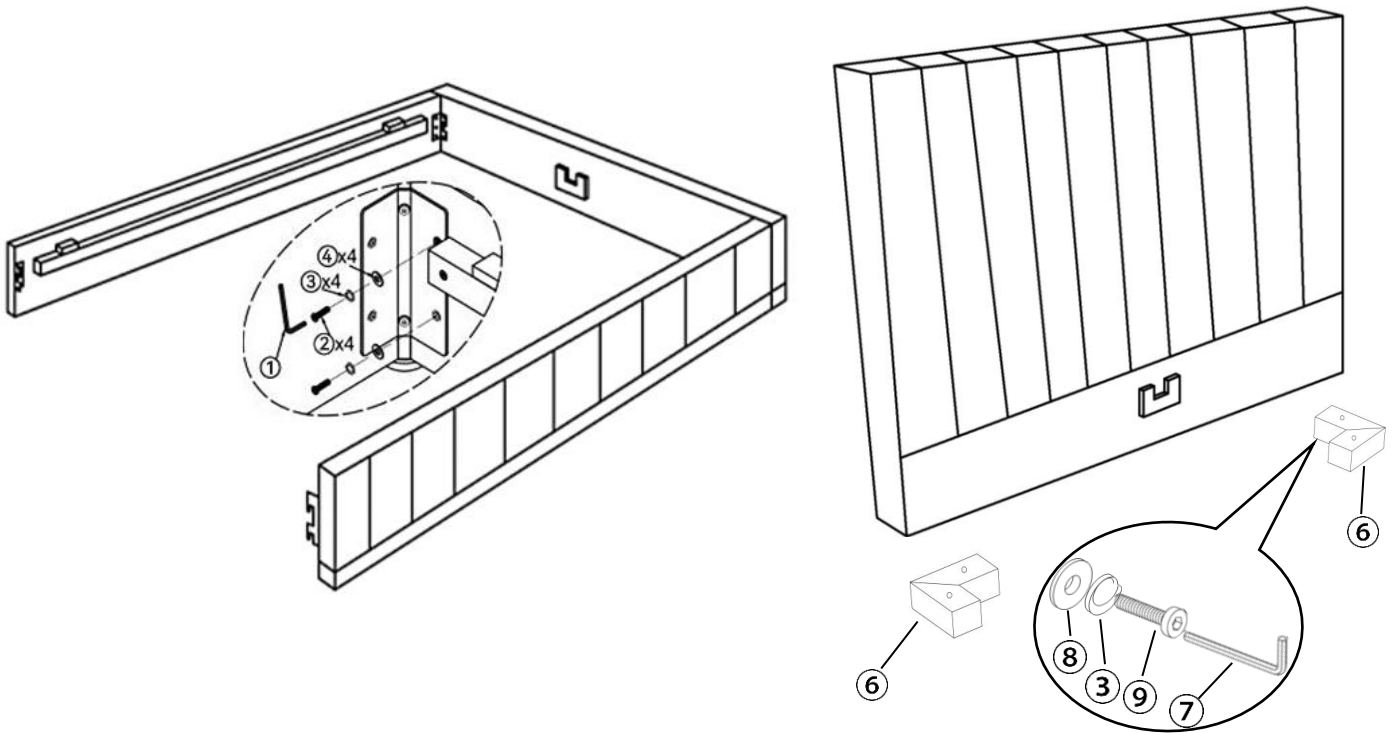
## Parts

	A	<b>x1</b>	Headboard		E	<b>x1</b>	Slat
	B	<b>x1</b>	Side Rail L		F	<b>x1</b>	Support Bar
	C	<b>x1</b>	Side Rail R		G	<b>X4</b>	Bracket
	D	<b>x1</b>	Footboard		H	<b>X3</b>	Support Leg

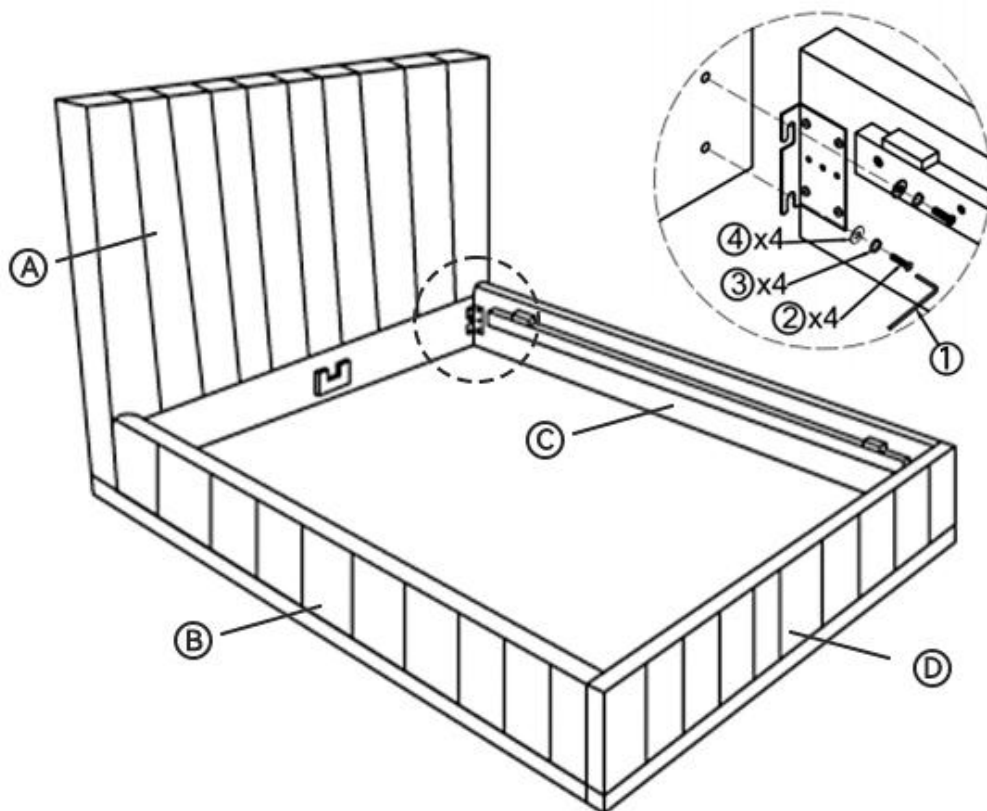
## Hardware

	1	<b>X1</b>	Allen Key M8		4	<b>X24</b>	Flat Washer
	2	<b>X24</b>	Bolt M8*30mm		5	<b>X34</b>	Screw M3.5*30mm
	3	<b>X28</b>	Spring Washer		6	<b>X2</b>	wood legs
	7	<b>X1</b>	Allen Key M6		8	<b>X4</b>	Flat Washer
	9	<b>X4</b>	Bolt M6*50mm				

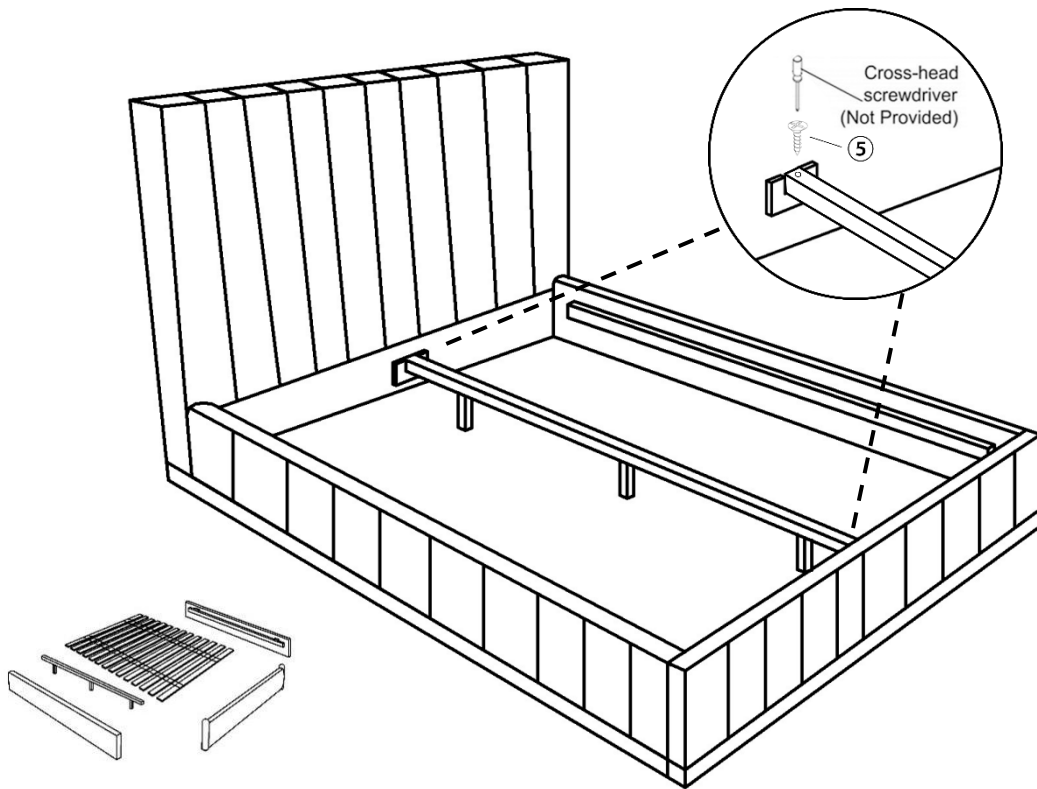
# Step 1



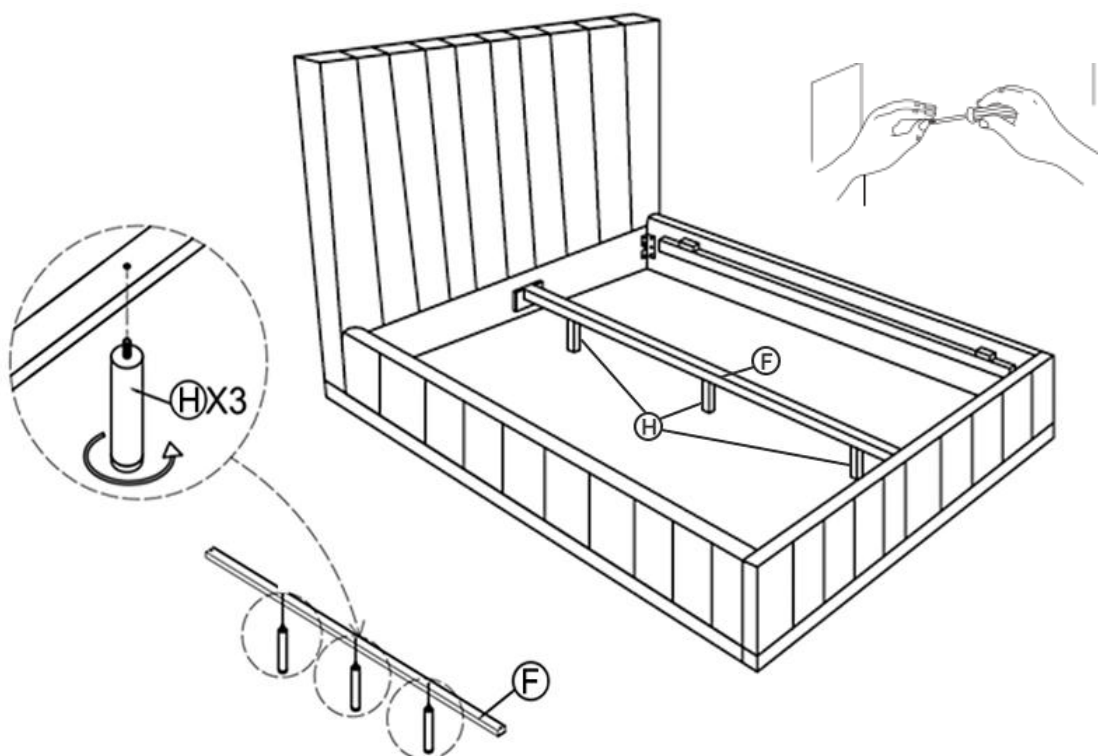
# Step 2



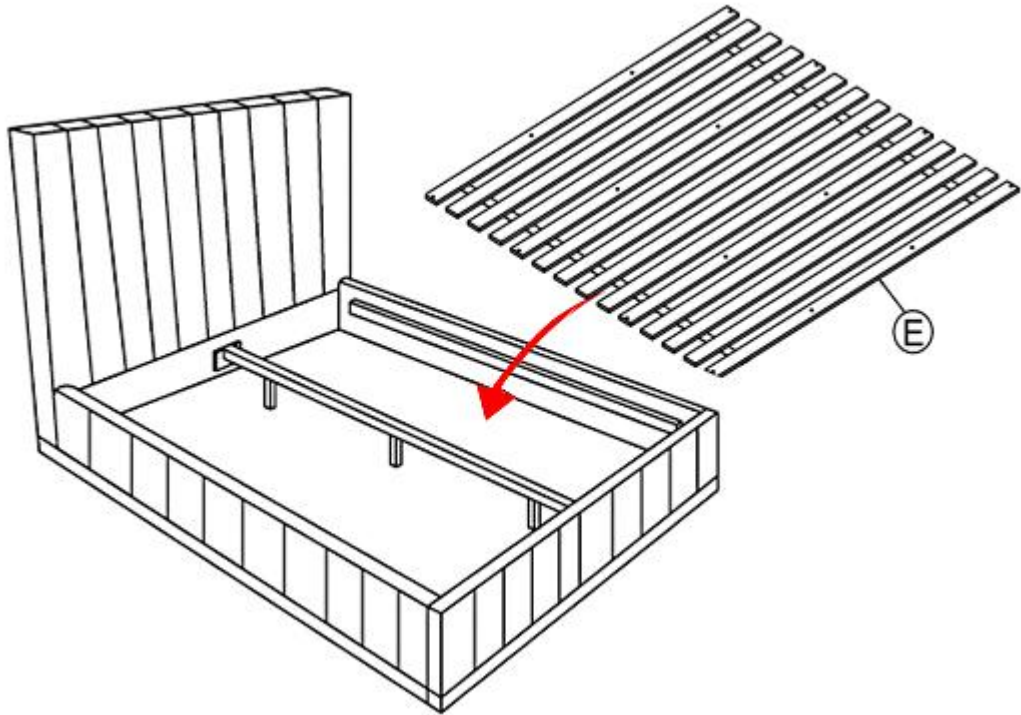
## Step 3



## Step 4



## Step 5



## Step 6

