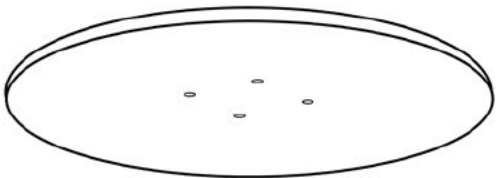
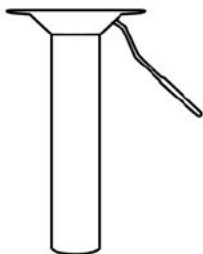


ASSEMBLE INSTRUCTION

Ax1

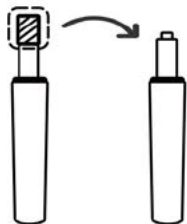


Bx1



Cx1

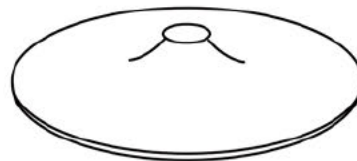
(Remove the cap)



Dx1



Ex1



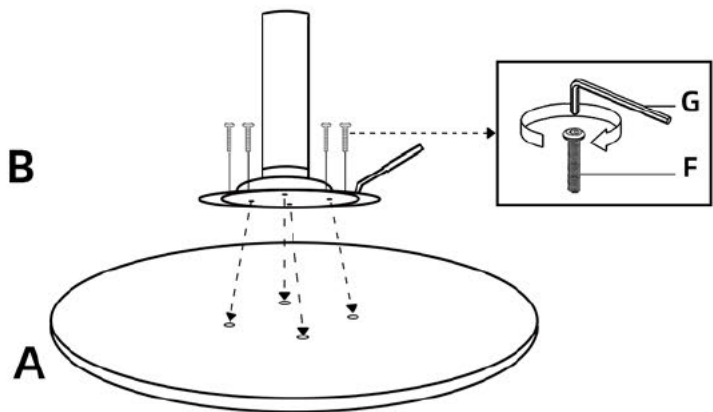
Fx4



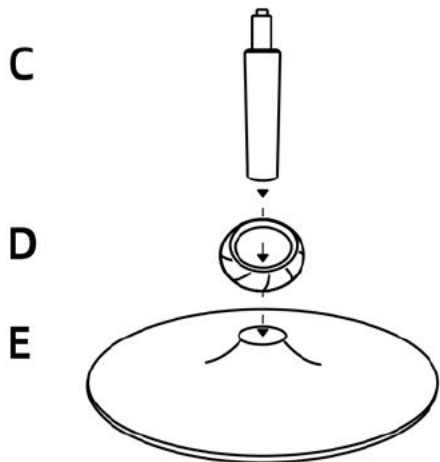
Gx1



1



2



3

