

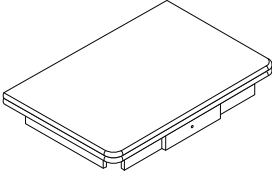

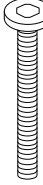
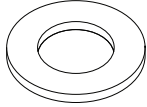
Assembly instructions for the table, including tool requirements, time, and personnel.

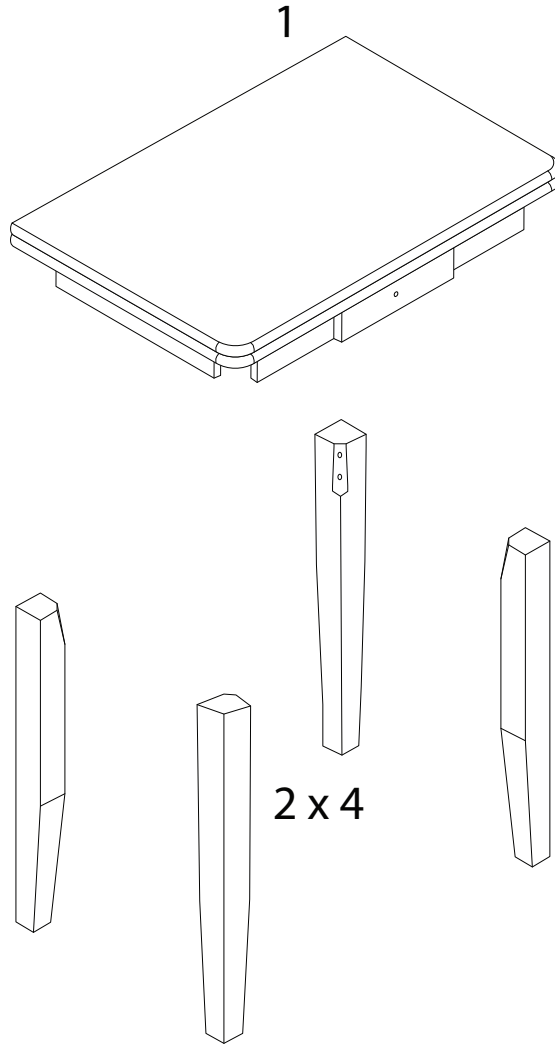
Tools: A circle containing a screwdriver and an L-shaped hex key. A power drill is shown with a diagonal line through it, indicating it is not required.

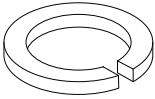

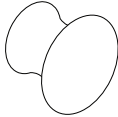
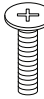
Time: A clock icon with the text "30'" below it, indicating the estimated assembly time is 30 minutes.

Personnel: A stick figure icon with the number "2" below it, indicating that two people are required for assembly.

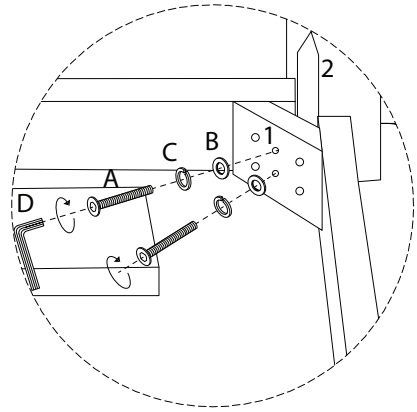
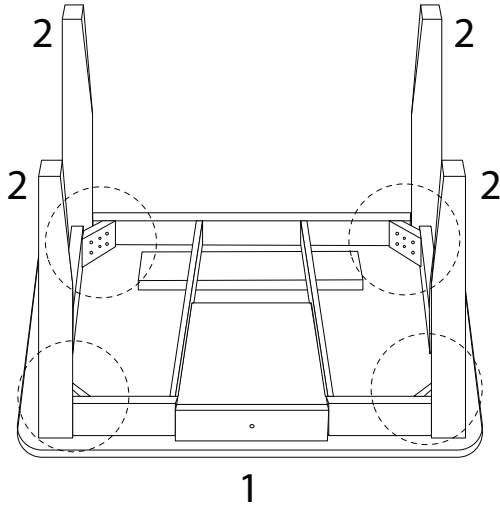
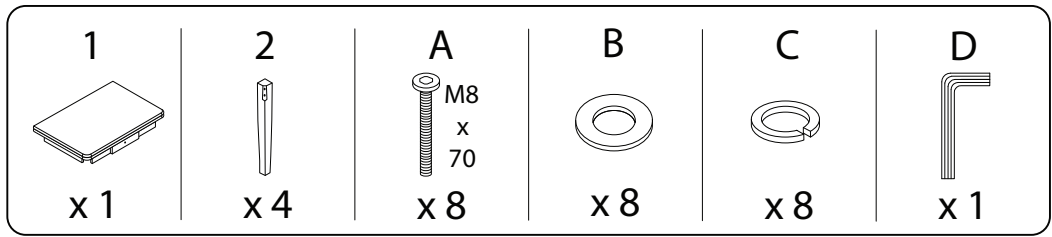
Warnings: Two warning triangles (exclamation marks) are present. The top one is connected to the tool requirements, and the bottom one is connected to the personnel requirement.

<p>1</p>  <p>x 1</p>	<p>2</p>  <p>x 4</p>	<p>A</p>  <p>M8 x 70</p> <p>x 8</p>	<p>B</p>  <p>x 8</p>
---	---	--	---

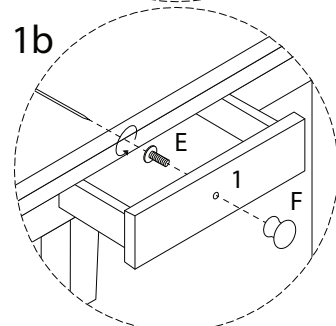
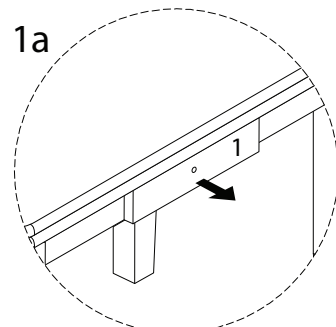
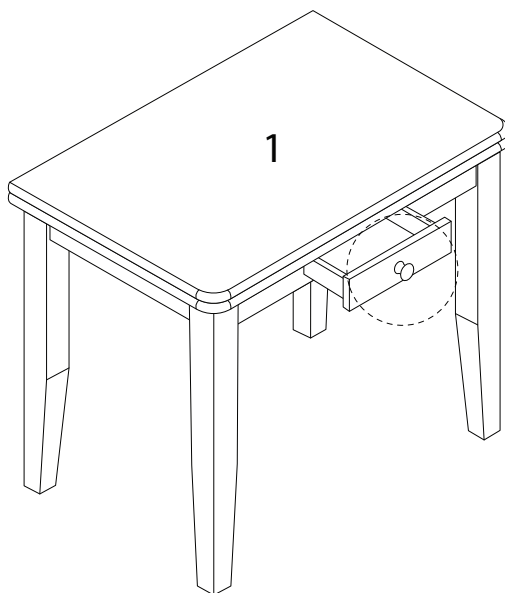
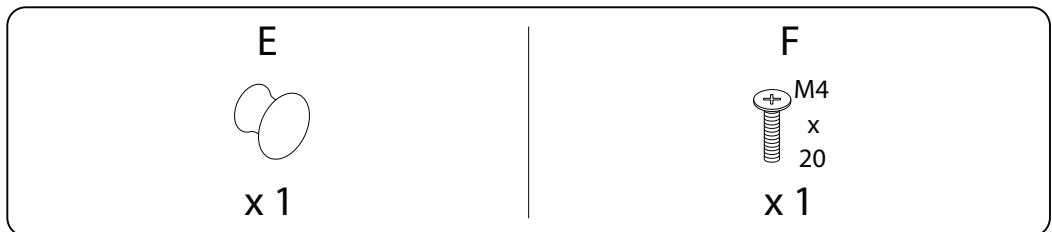


<p>C</p>  <p>x 8</p>	<p>D</p>  <p>x 1</p>	<p>E</p>  <p>x 1</p>	<p>F</p>  <p>M4 x 20</p> <p>x 1</p>
---	---	--	--

1



2



!

