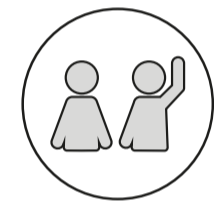
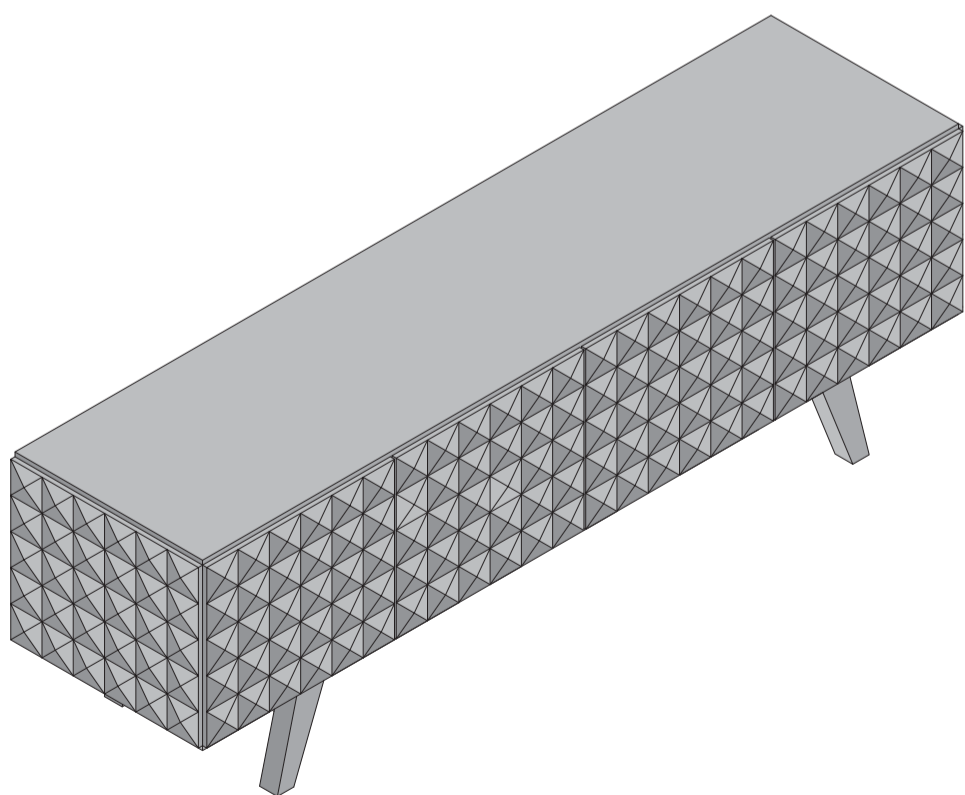


ASSEMBLY INSTRUCTION

4 DOORS



TEAM ASSEMBLY RECOMMENDED



Return Policy

Thank you for choosing us. We are committed to providing high-quality products that are designed to withstand heavy daily use by the most demanding users. When you purchase our products, you can be assured that you are receiving authentic products that meet our rigorous standards.

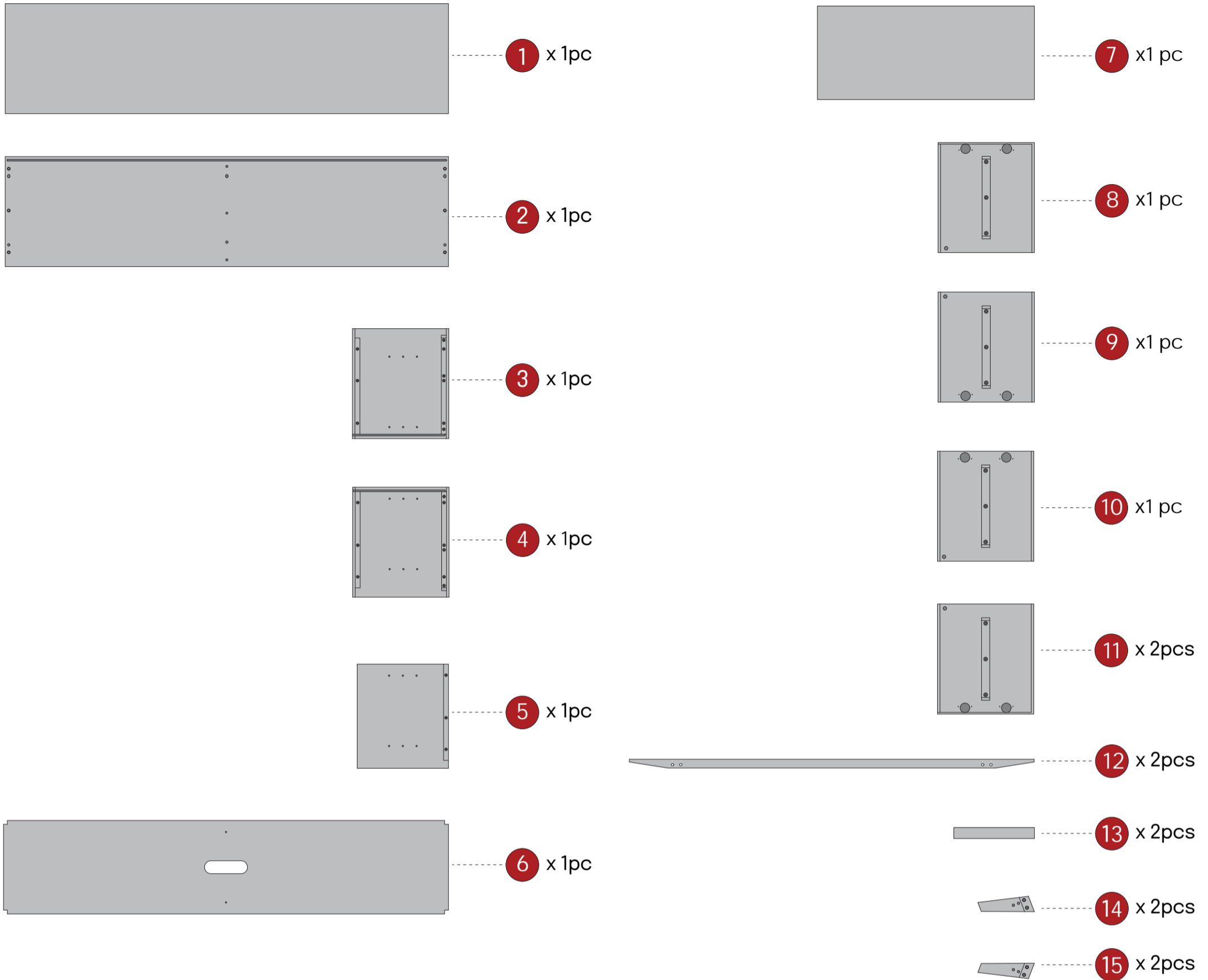
We are not responsible for normal wear and tear, products used commercially, or failures caused by accidents, abuse, alteration, modification, misuse, or improper care.

We provide the following warranties:



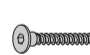









30-day satisfaction warranty across our product line Specific warranties for each item. Please refer to your User Manual for the exact coverage. If you encounter any technical issues while installing or configuring our products, please contact our qualified staff for professional assistance. Replacement parts or products will be sent at our discretion if the defect is the result of any fault on our side. You must provide proof of purchase, with the date of purchase, as well as photos of the defective merchandise. Photos may be used to determine the cause of defects and for future quality control. If you wish to return a purchased product, please refer to our Return Policy.

For any questions, comments, or concerns, please contact us

Components



HARDWARE LIST

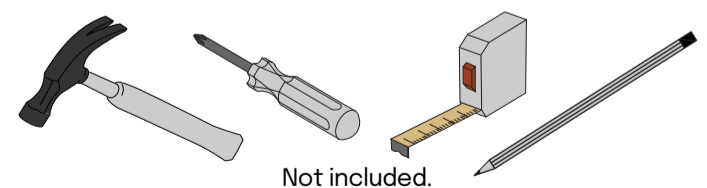
A		M6*30 Bolt	31
B		M6*35 Bolt	8
C		M7 x 40 Screw	3
D		M4 x 30 Screw	4
E		M4 x 15 Screw	50
F		Push Magnet	4
G		M3 x 15 Screw	16
H		Shelf Pin	8
I		Door Hingle	8
J		M4 Allen Key	1
K		Spring Washer	8
L		Flat Washer	8

Ensure that all parts and hardware are available before beginning assembly.

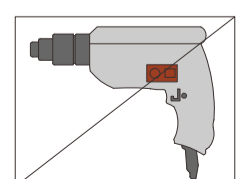
Follow each step carefully to ensure the proper assembly of this product.

Two people are recommended for ease in the assembly of this product.

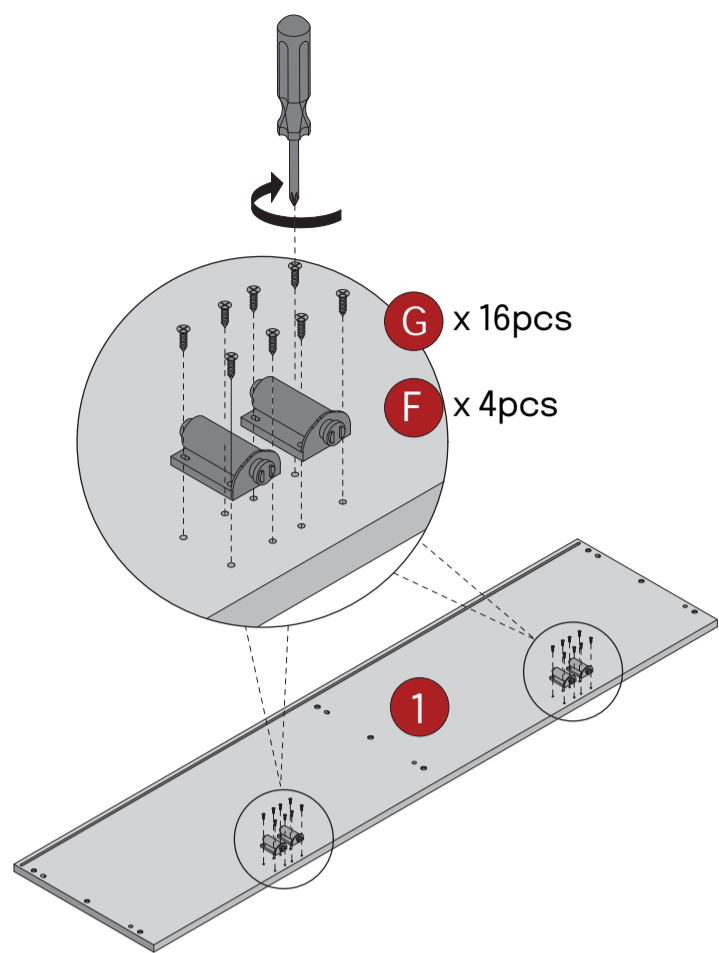
A Phillips head screwdriver, pencil, hammer and tape measure is required for the assembly of this product.



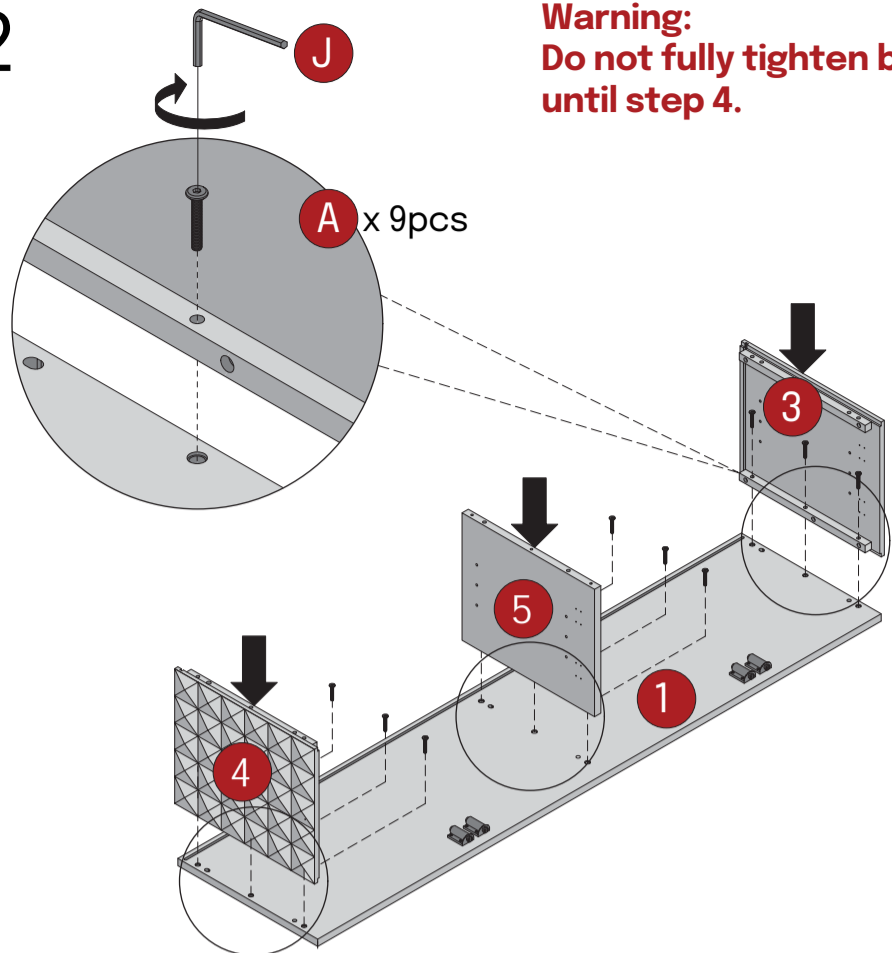
Power tools should not be used to assemble this product.



1

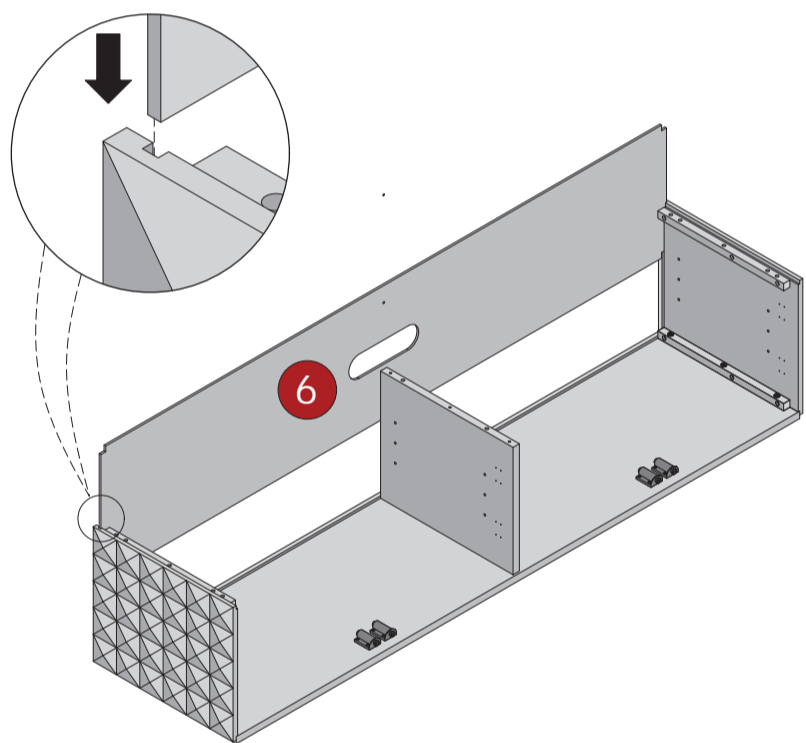


2

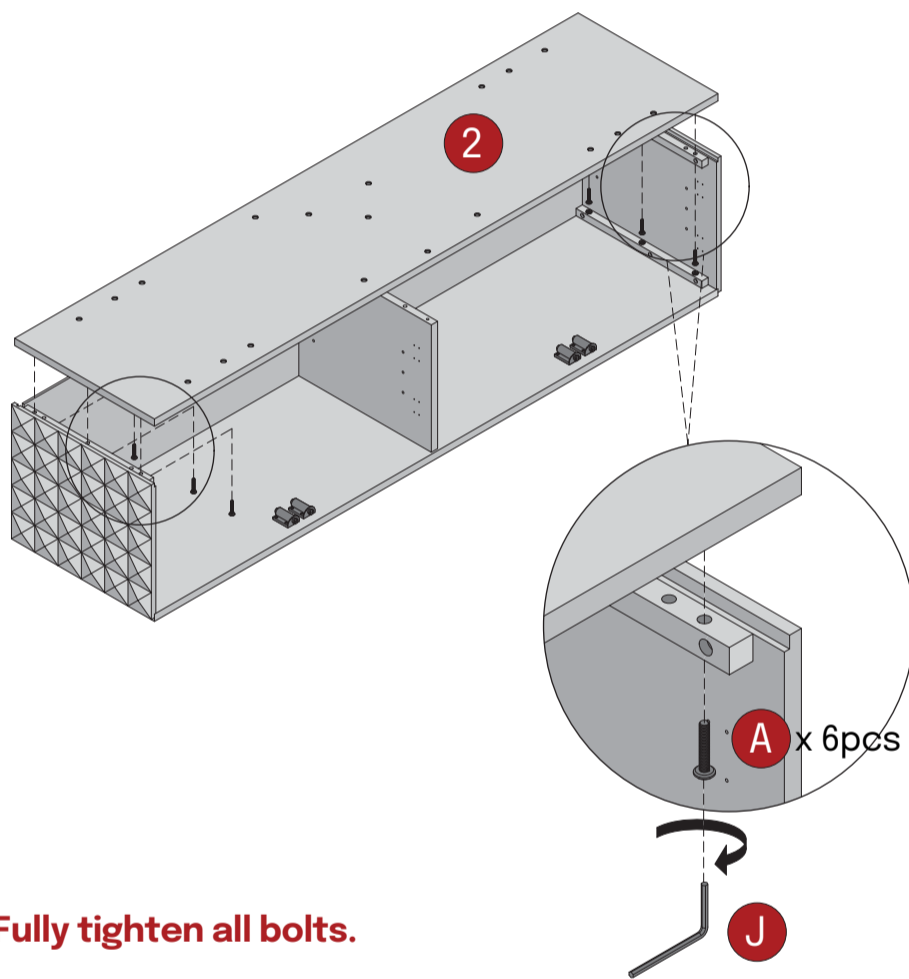


Warning:
Do not fully tighten bolts until step 4.

3

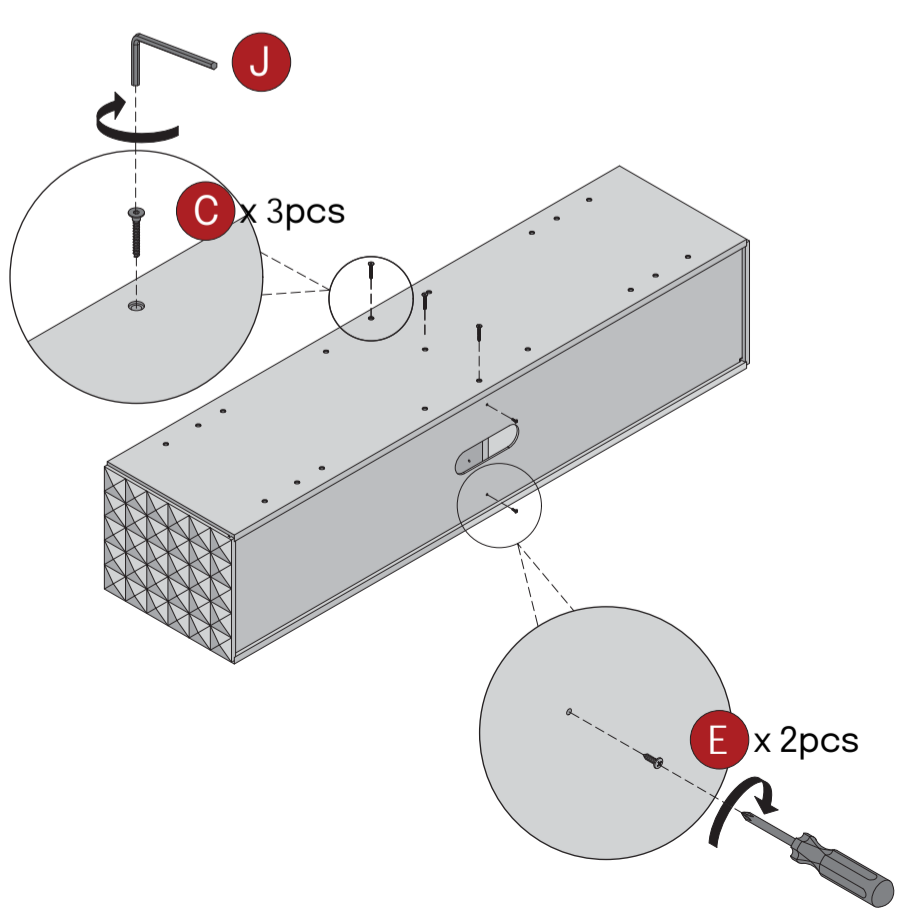


4

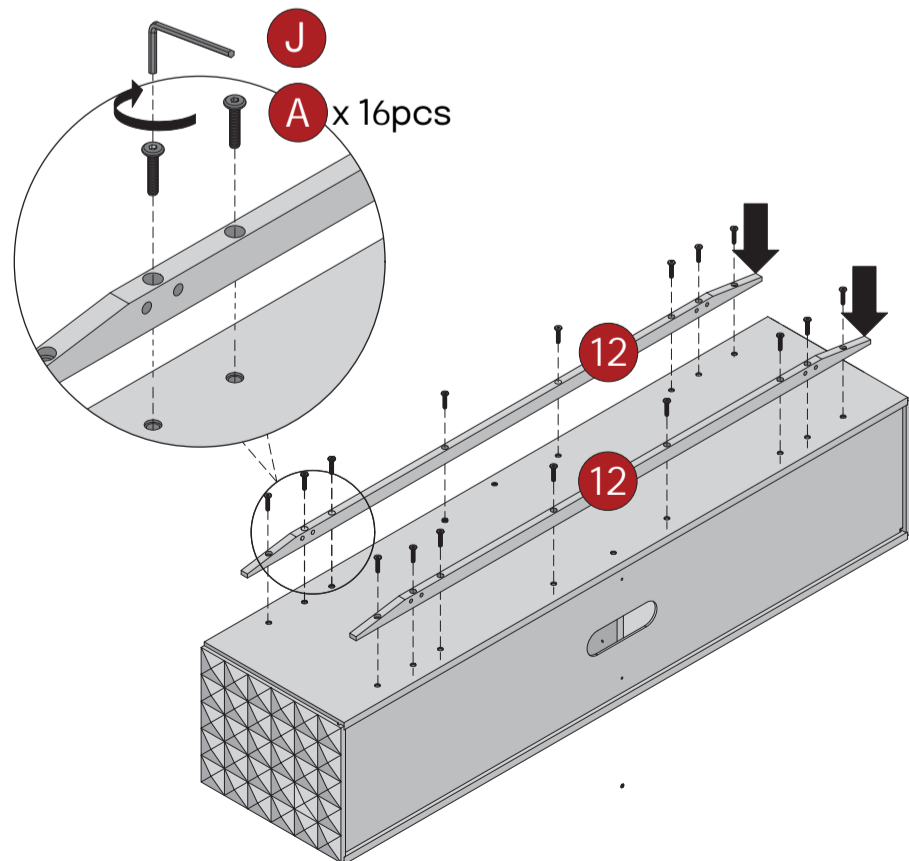


Fully tighten all bolts.

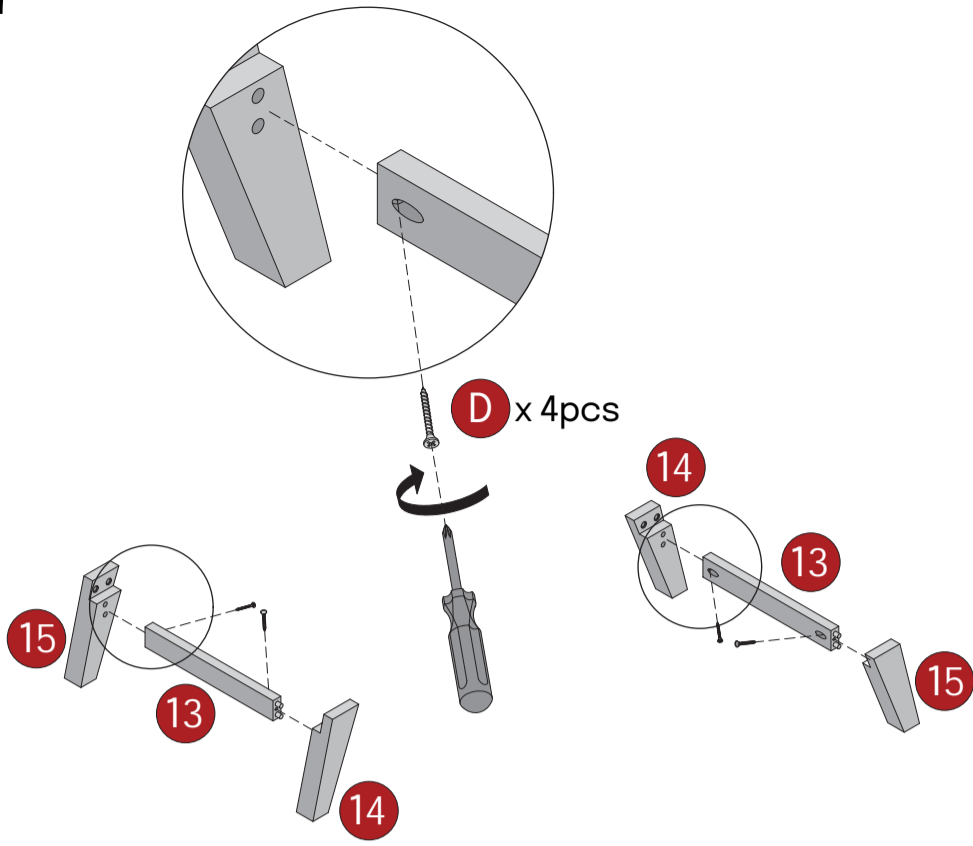
5



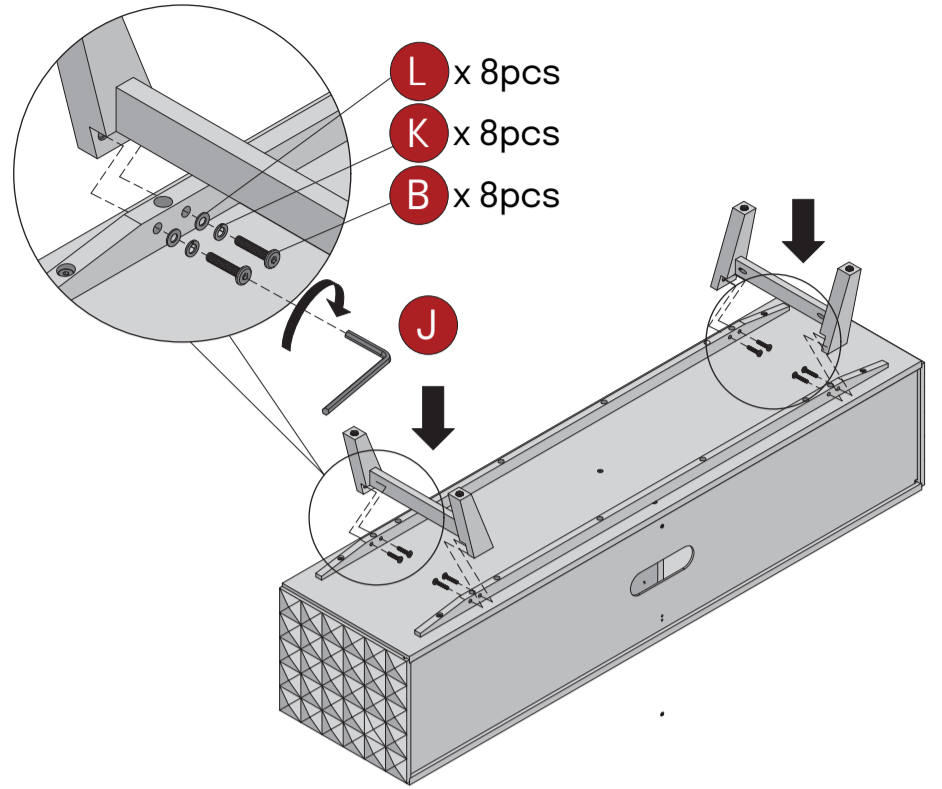
6



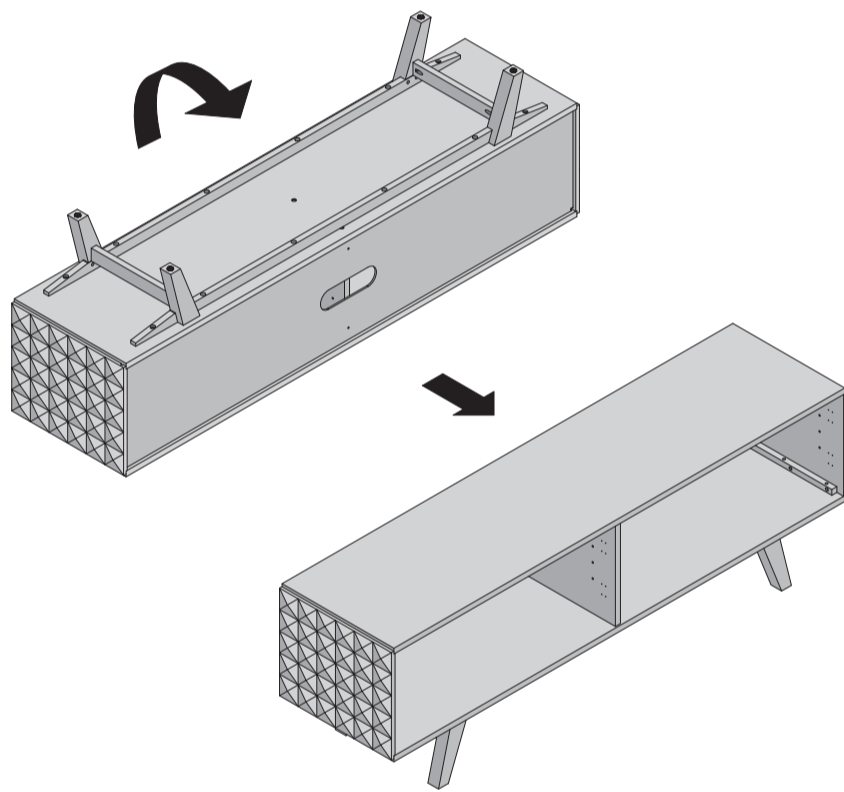
7



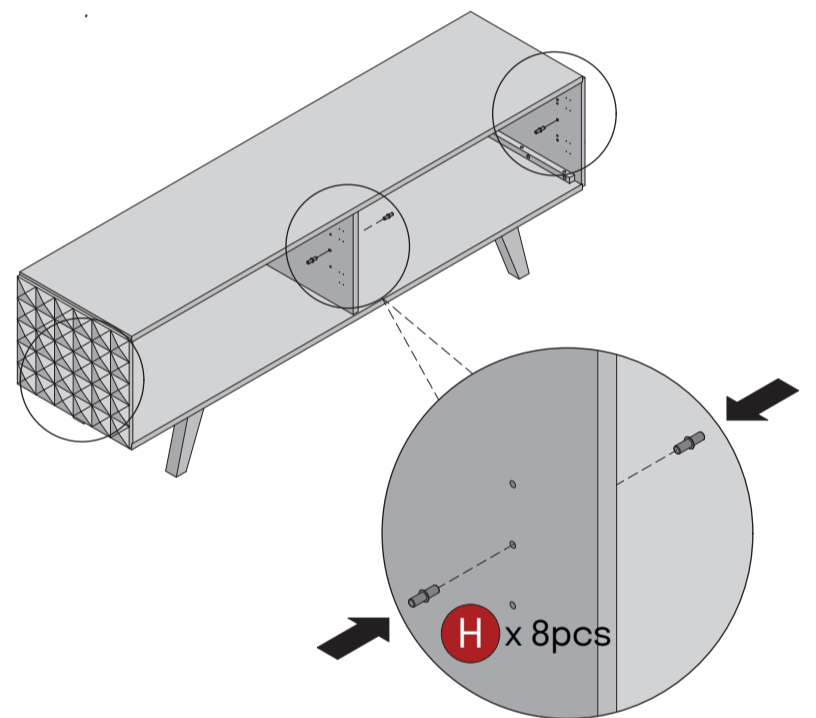
8



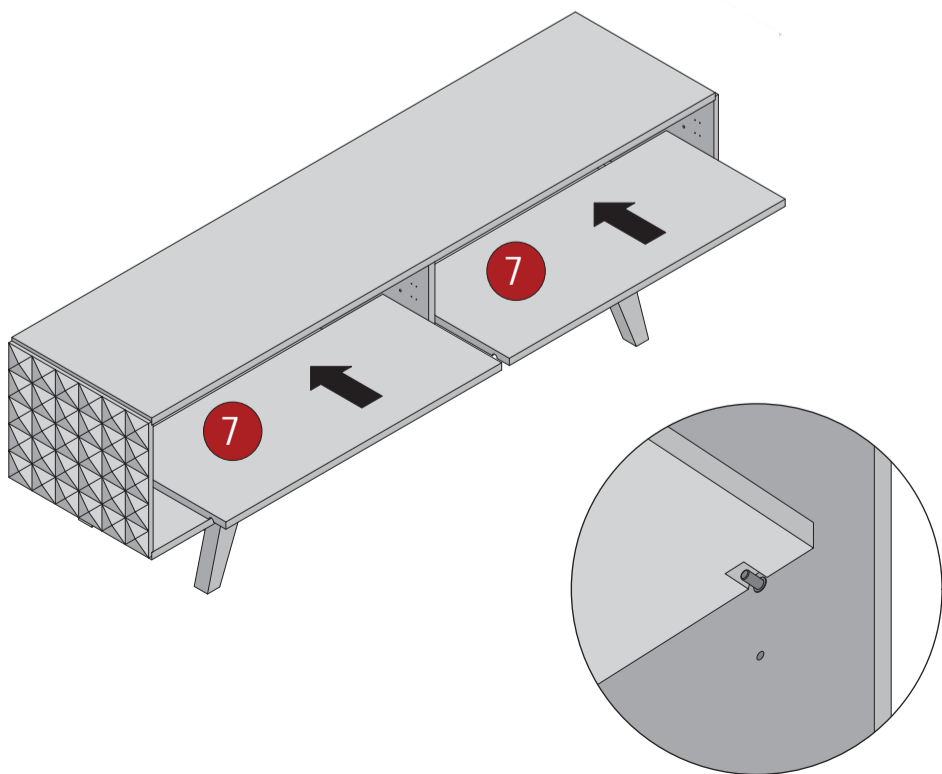
9



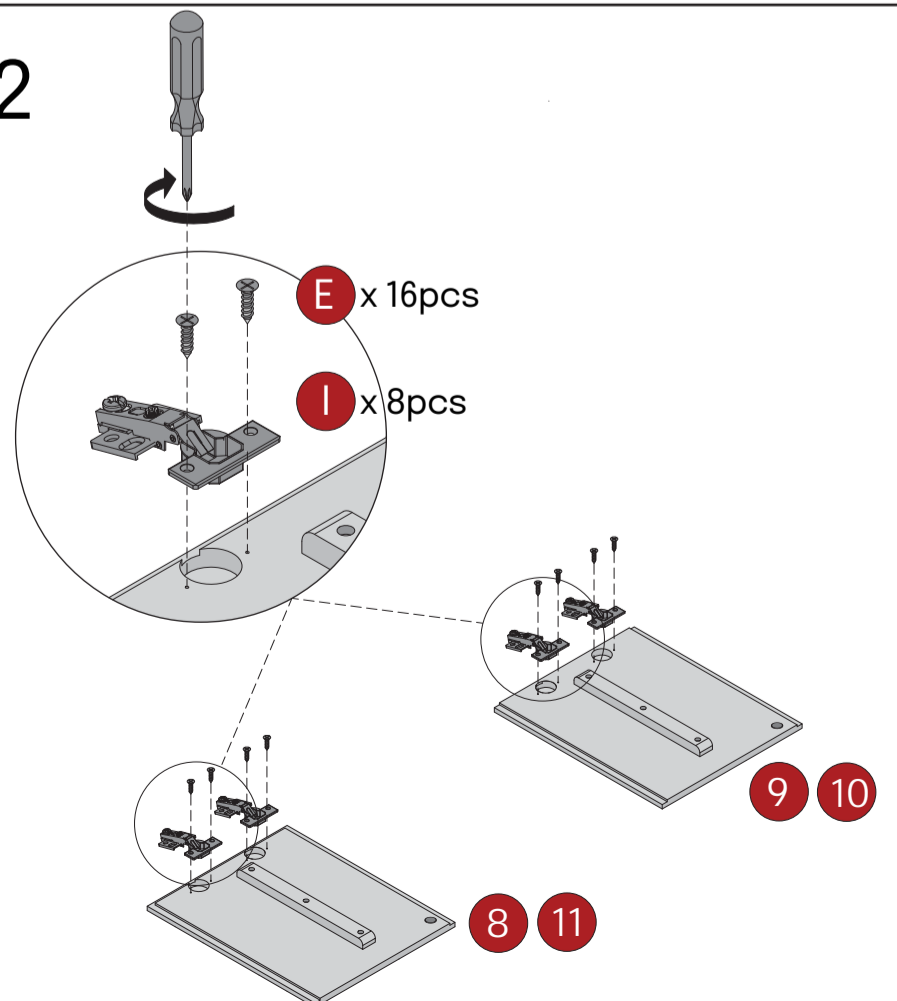
10



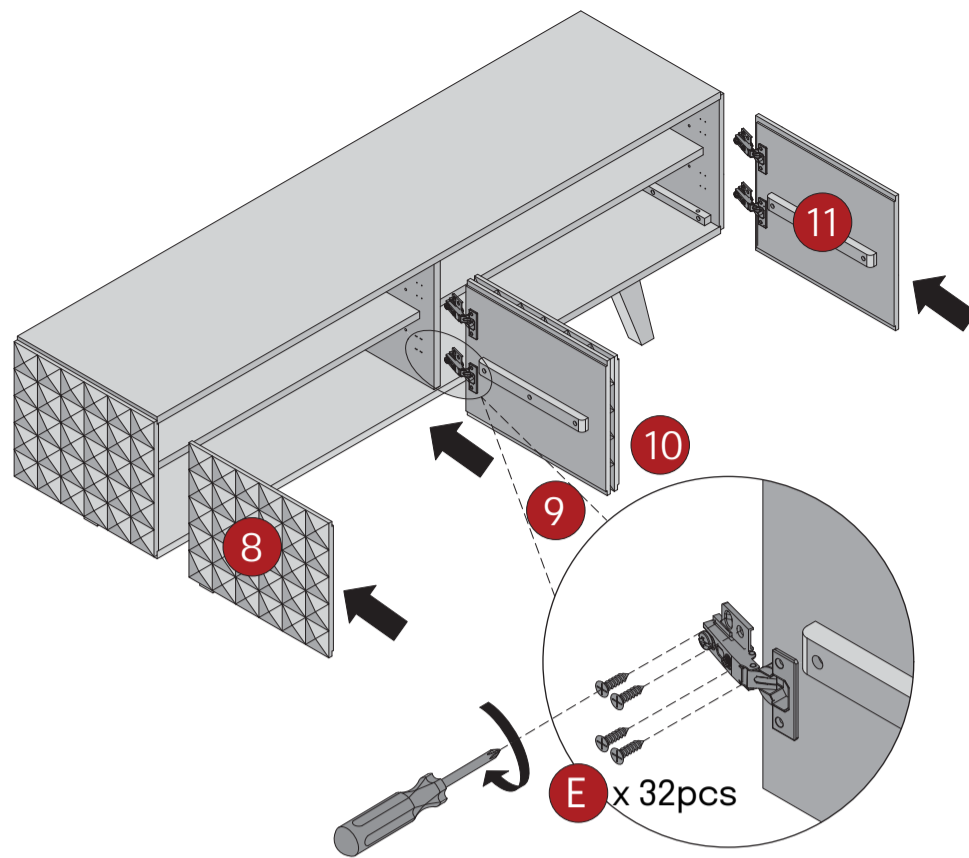
11



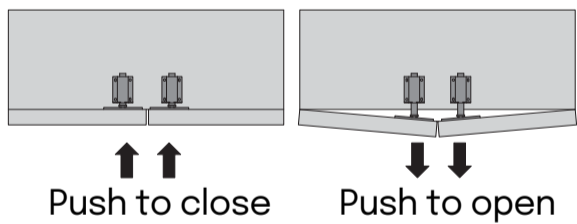
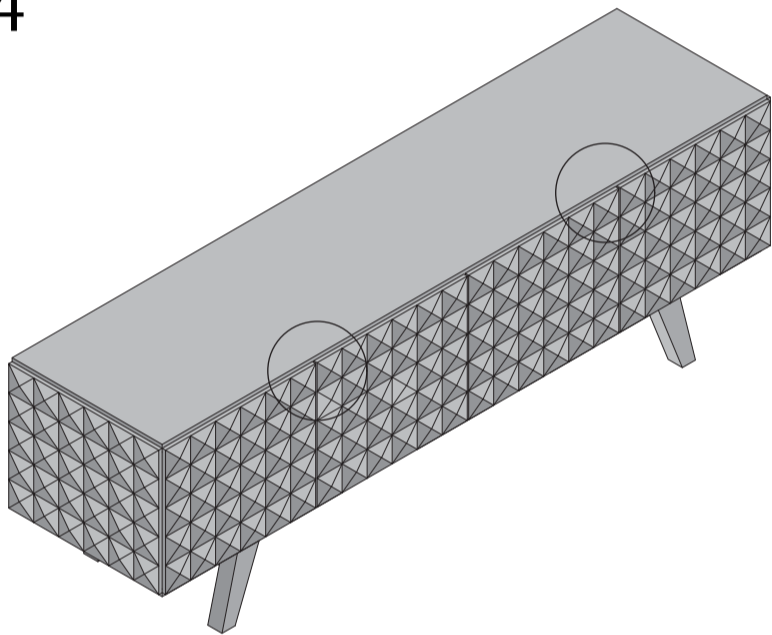
12



13

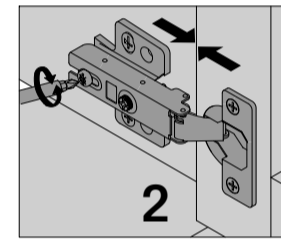
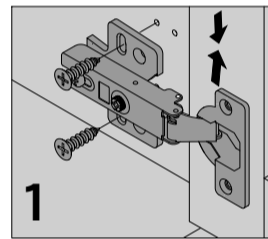


14



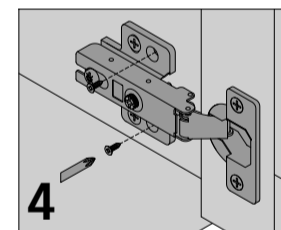
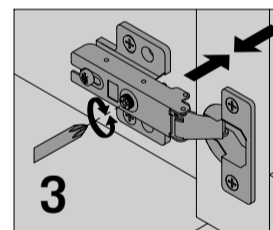
Regarding the installation and adjustment of the door hinge:

1. Use the "waist round hole" marked with a triangle to adjust the position of the door panel (ensure that the gap between the door panel and the upper and lower panels is consistent).
2. Use the screw at the back end of the hinge to adjust the front and back position of the door panel (ensure that the front of the door panel is in the same plane as the upper and lower panels).

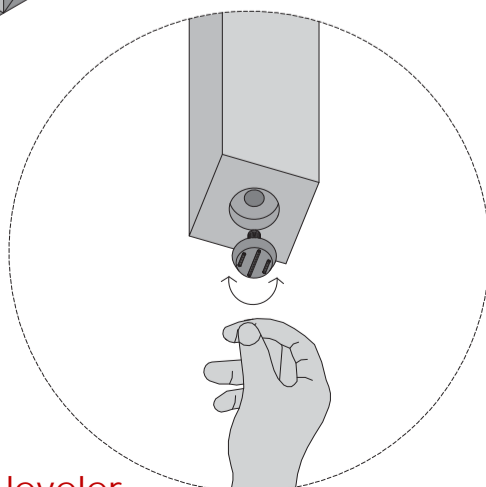
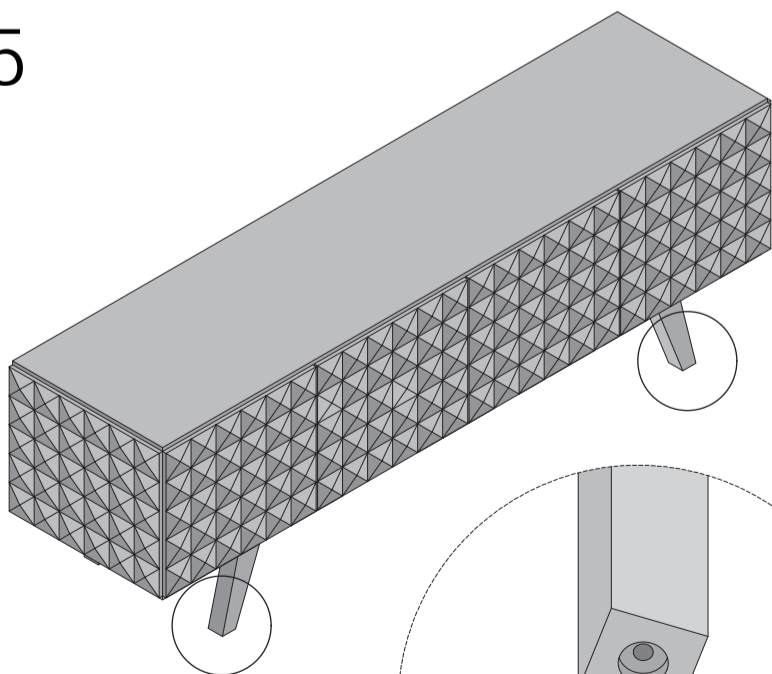


3. Use the screw at the front end of the hinge to adjust the left and right position of the door panel (ensure that the left and right sides of the door panel are in the same plane as the upper and lower panels).

4. After completing these three steps, secure the other two screws on the hinge.



15



Adjustable leveler

Adjusting Floor Levelers

Your furniture has been expertly crafted and pre-adjusted by professionals. However, slight shifts can occur during transportation. If you notice that the doors are not perfectly aligned or the furniture wobbles, a quick adjustment can help ensure stability and a seamless look.

Adjust the Floor Levelers

Check for Stability - Place the furniture in its final position on a level surface. If it wobbles or doesn't sit evenly, the floor levelers need adjusting.

Locate the Levelers - These are small adjustable feet found at the bottom corners of your furniture.

Adjust as Needed - Using your hand or a wrench, turn the levelers clockwise to raise or counterclockwise to lower the furniture. Make small adjustments and check stability after each turn.