

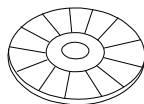
BOX C PART LIST

C



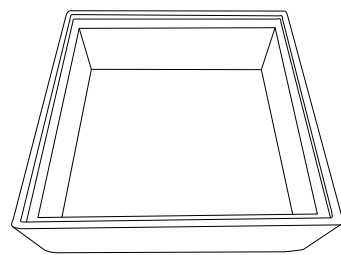
4PCS

D



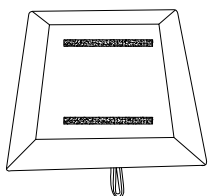
8PCS

A



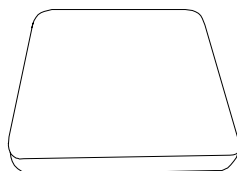
1PC

N



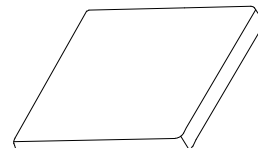
1PC

B



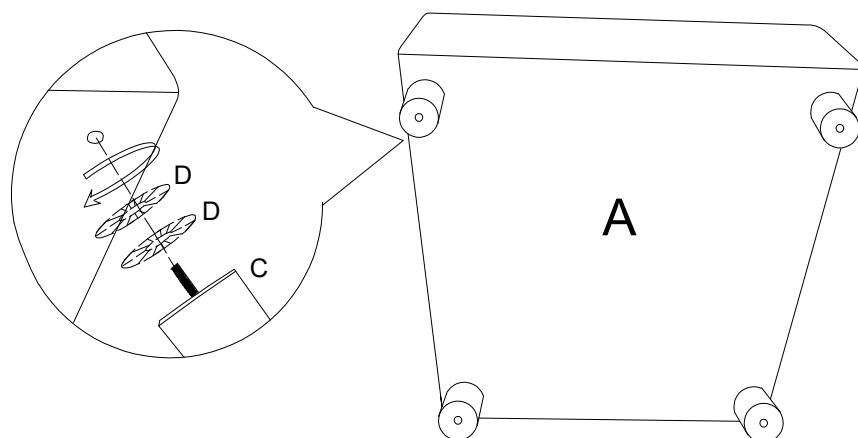
1PC

O

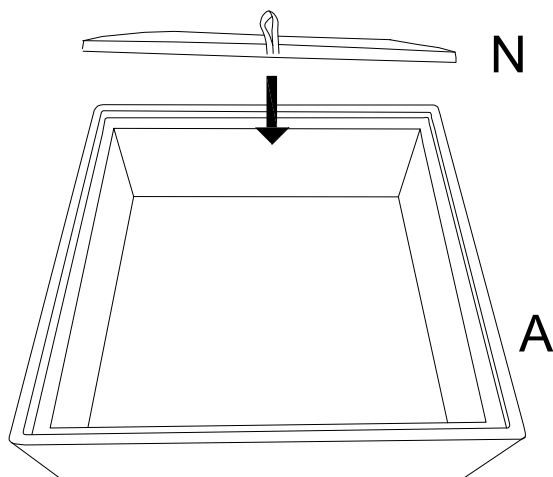


1PC

STEP1 Screw the sofa legs C with plastic washers D into the seat frame A.

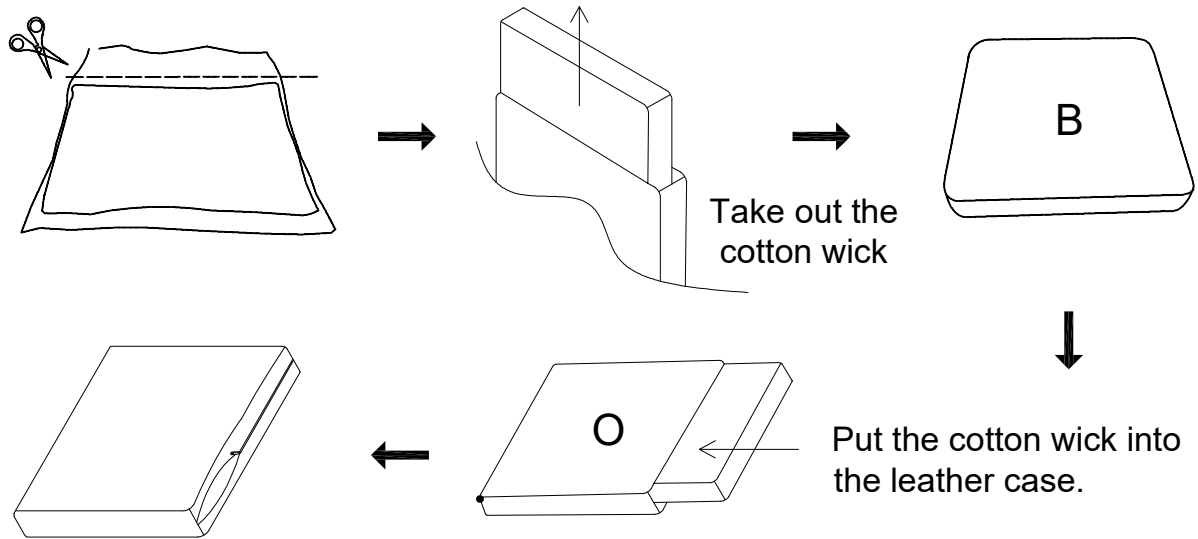


STEP2 Place the seat plate N on the seat frame A.

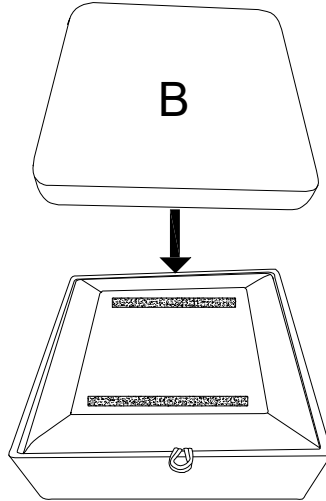


BOX C PART LIST

STEP3 If you confirm that the sofa frame fits your space and the seating experience (Seat Part A) is good, then you can open the vacuum package for Part B.



STEP4 Place the seat cushion on the sofa as shown and use the velcro on the base to securely fasten it to the body of the sofa. If the fabric is wrinkled, wait 72 hours for the cushion to fully spring back.



STEP5

