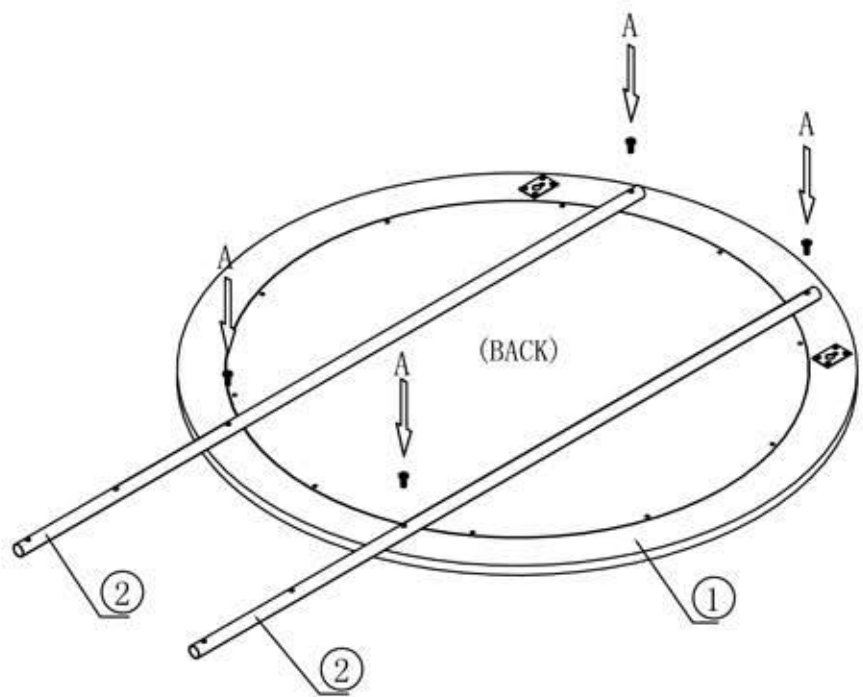



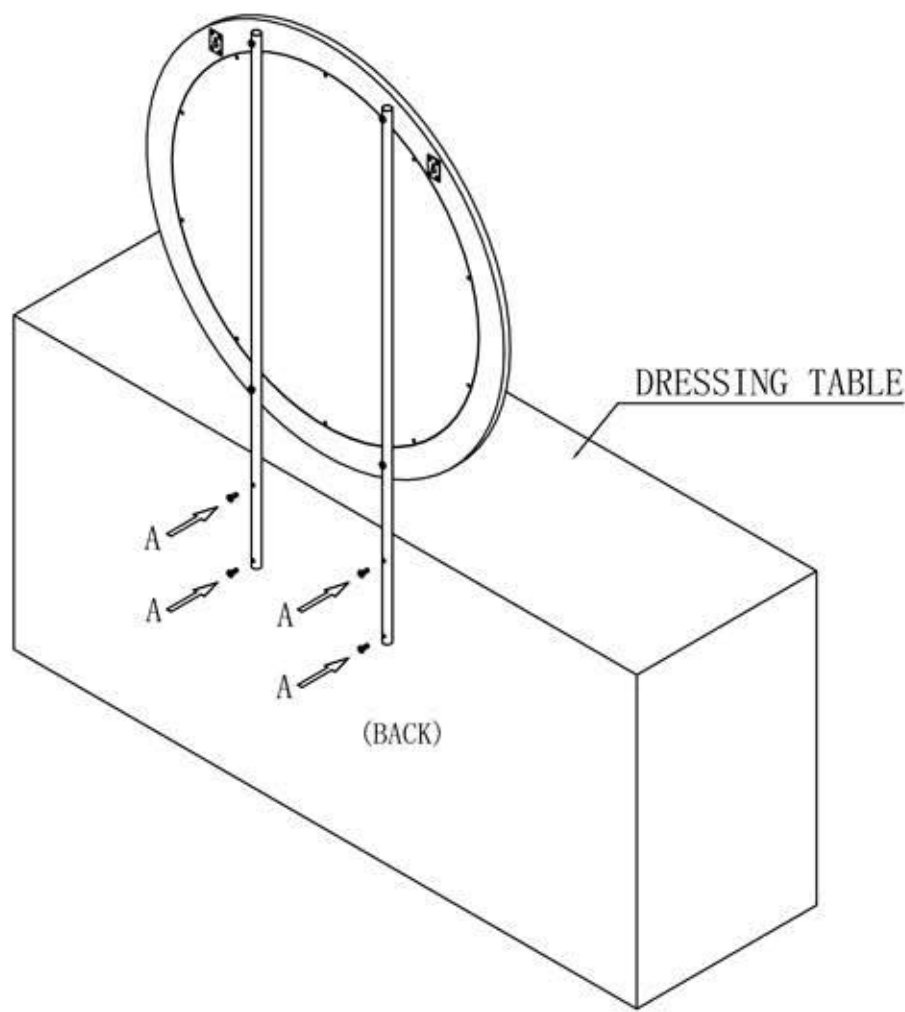
STEP1

(METHOD 1)

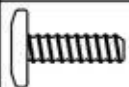


 Please use a soft mat to avoid damaging during assembly

STEP2



No	Part	Qty
1	Mirror Panel	1
2	Steel Pipe (φ22X1357mm)	2

No	Part	Qty
A	 Screw M6X32	8

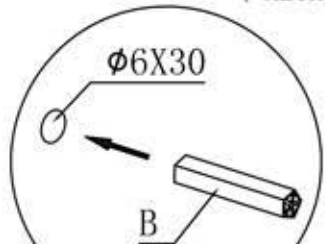
  10min 

STEP1

(METHOD 2)



Expandable plastic particle
Bx2



φ6X30

B

640

(WALL)

1000

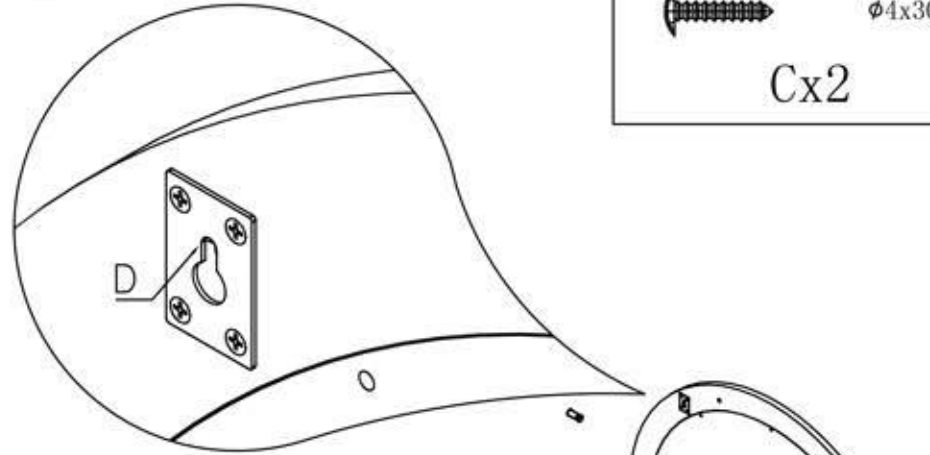
DRESSING TABLE

STEP2

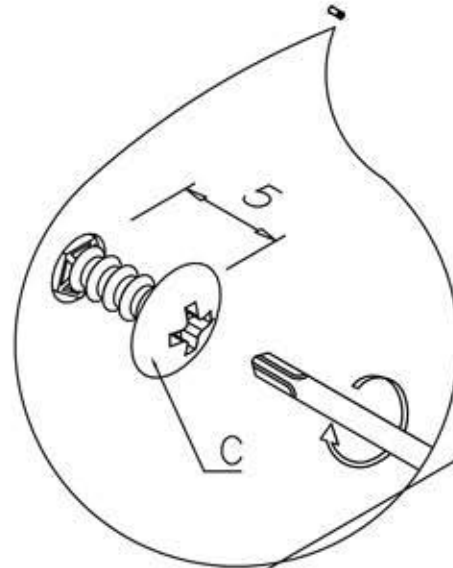


φ4x30

Cx2



D



C

5

Set two screws(φ4x30) on the wall,
then hang the mirror on the wall by
the screws through hole D.

No	Part	Qty	No	Part	Qty	No	Part	Qty						
1	Mirror Panel	1	B	Expandable plastic particle	2	C	Screw φ4x30	2	2	10min				