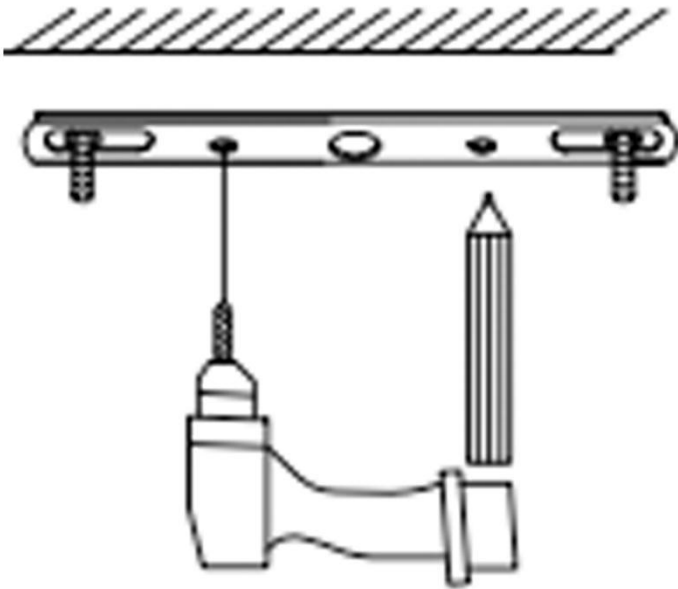


Assembly Instructions for **Model HL753850**

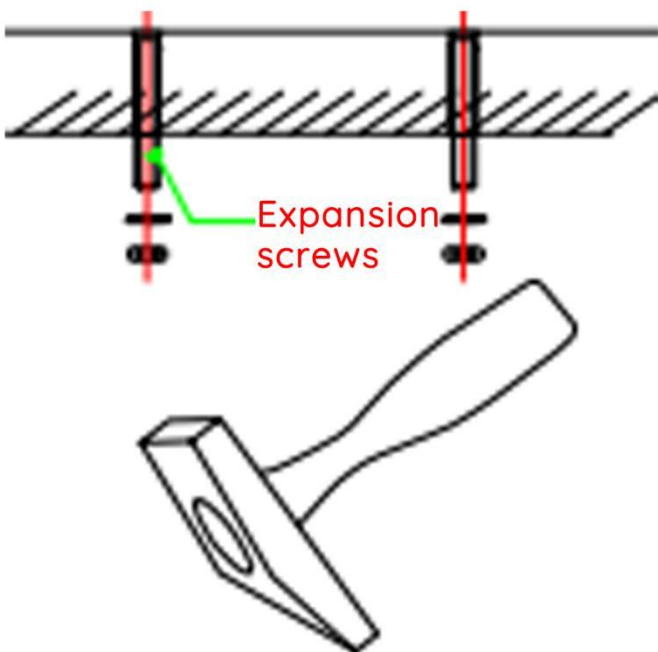


Assembly Method

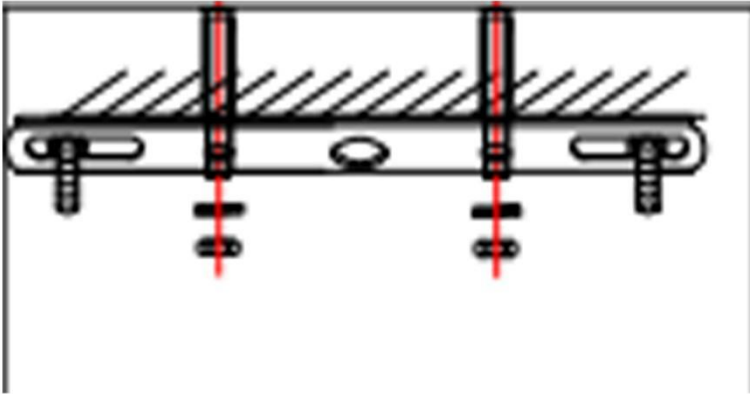
1. Refer to the screw holes on the hanging board or the hole position of the lamp body, mark the position on the ceiling with a pen, and then drill the hole



2. Knock the expansion screws into the holes in the wall.



3. Align the nut with the expansion screw and tighten it clockwise to fix the hanging plate or lamp body.



4. Lighting wiring.

Hold the fixture close to ceiling.

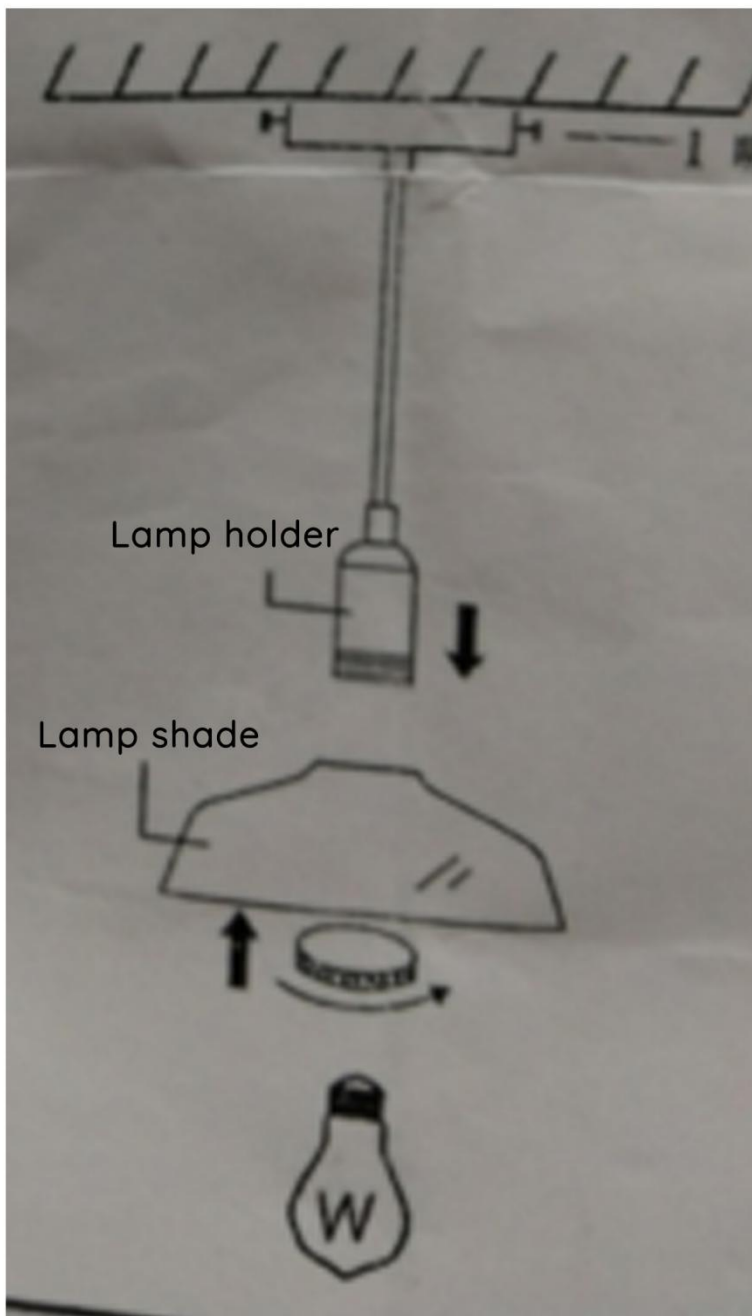
Connect live line to one of the two wires from the Fixture Body.

Connect neutral line to the other wire from the Fixture Body.

5. Tighten the black nut to secure the hanging wire to the ceiling cup.



6. Pass the lamp holder through the lampshade, tighten the lamp holder screws to fix it (as shown in the picture), and then install the bulb (not included).



The installation is complete.

Your fixture is now assembled and ready to use.