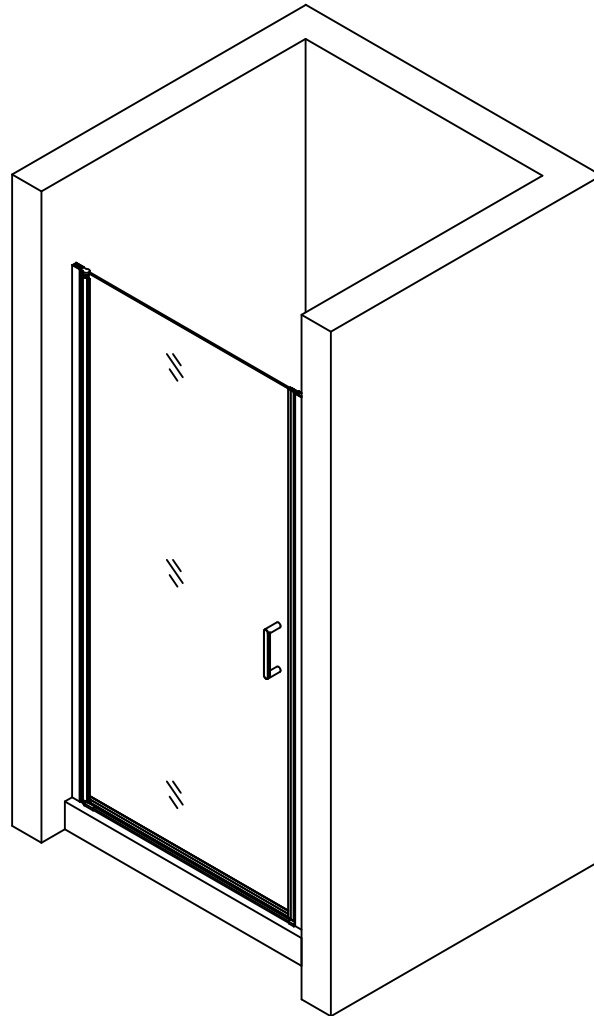


Shower Door Installation Guide

DS02C



Plz do not just return when meeting difficulties in installation, just contact your seller for help.

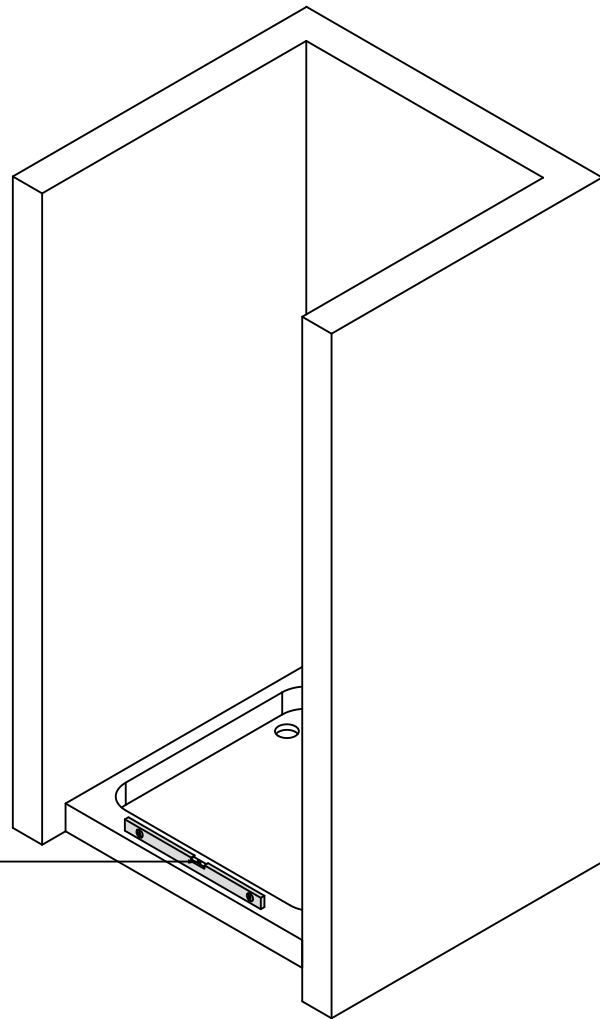
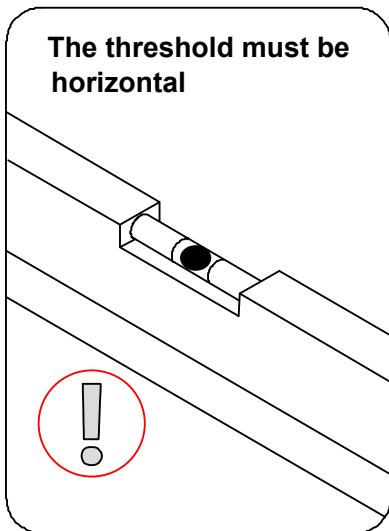
Model Specific Preparation



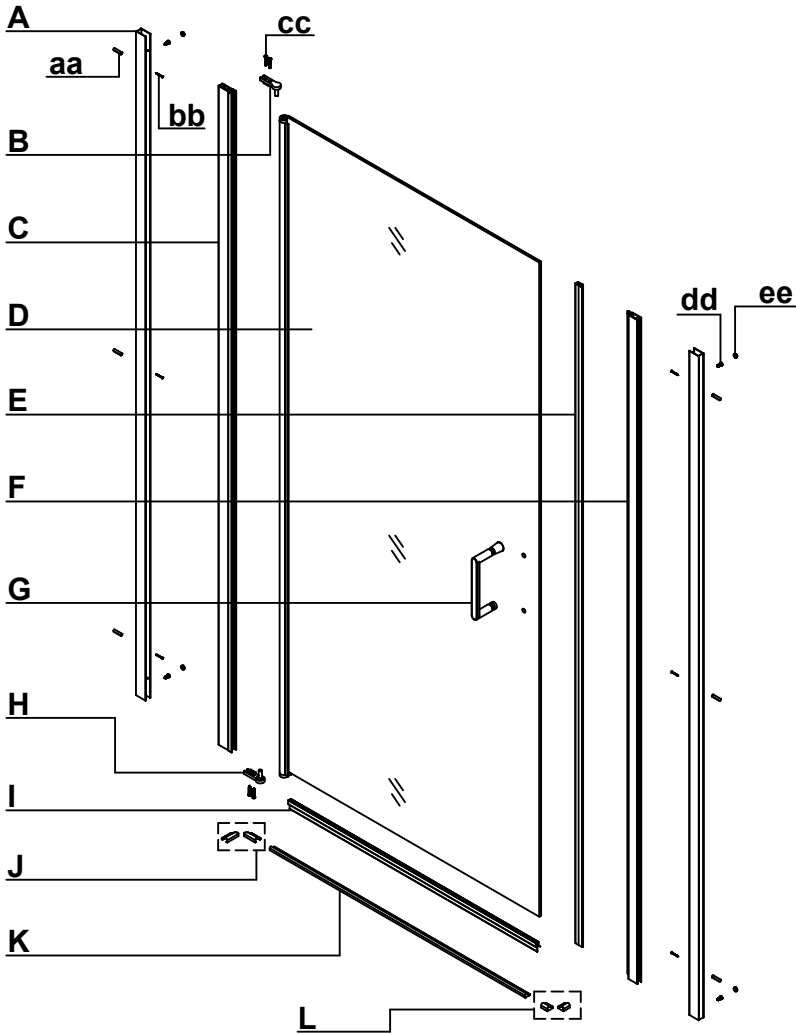
REQUIRED:

Verify that the threshold is level by using a straight edge or a level tool. Adjust the threshold as necessary to ensure it is perfectly horizontal

The threshold must be horizontal



PACKAGE CONTENT

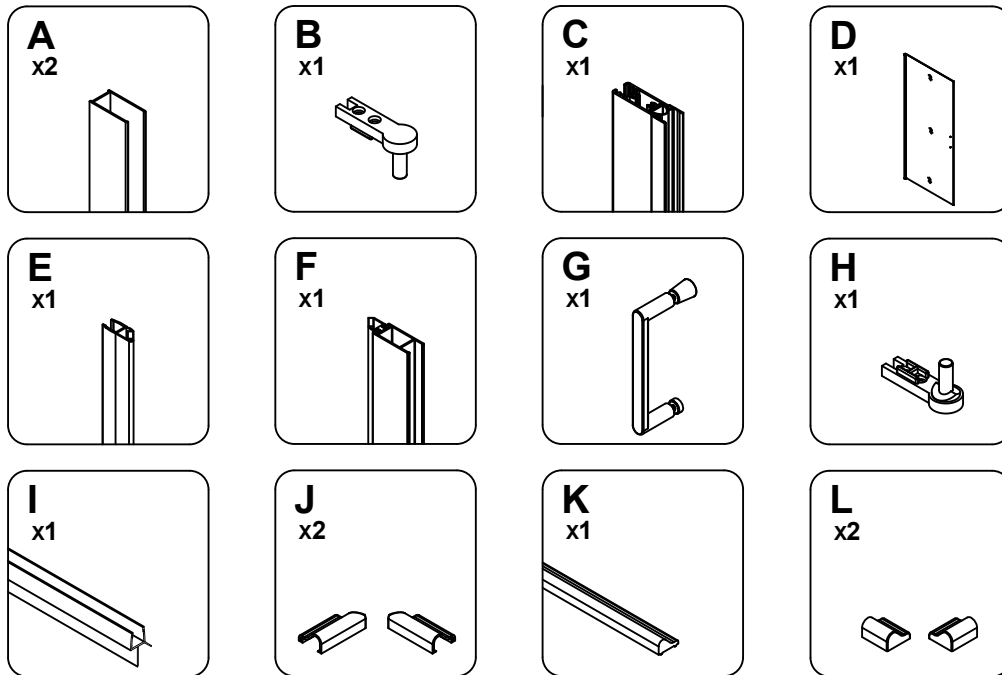


PACKAGE CONTENT

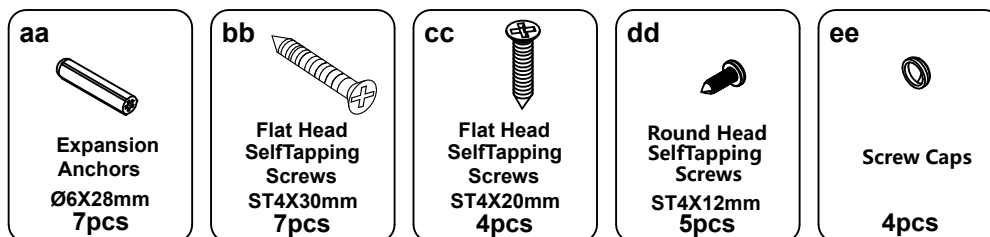
PART#	DESCRIPTION	QTY	PART#	DESCRIPTION	QTY
A	Wall Jamb 1	2	G	Handle	1
B	Top Pivot Bracket	1	H	Adjustable Pivot Bracket	1
C	Wall Jamb 2	1	I	Bottom Water Seal Gasket	1
D	Pivot Panel	1	J	Water Dam Connector	2
E	Magnetic Profile Seal	1	K	Water Dam Aluminum Strip	1
F	Magnetic Seal Aluminum Channel	1	L	Water Dam End Cap	2

NOTE Please inspect all parts for any missing items before installation!
If any part is missing, please contact us.

PACKAGE CONTENT



HARDWARE CONTENT



Additional spare parts are included.

NOTE

**Inspect all parts for any missing items prior to installation!
Contact us if any parts are missing.**

TOOLS REQUIRED

<p>Drill Bits</p>  <p>Ø1/4" & Ø5/16" (6 & 8mm) dia. HSS</p>	<p>Screw Driver</p> 	<p>Drill</p> 	<p>Level</p> 
<p>Silicone</p> 	<p>Measuring Tape</p> 	<p>Soft Head Hammer</p> 	<p>Pencil</p> 
<p>Knife</p> 	<p>Carpenter's Squarer</p> 	<p>Masonry Drill Bit For Tile Ø6mm</p> 	<p>Safety Glasses</p> 
<p>Gloves</p> 	<p>Glass suction Cup</p> 	<p>Masking or Painter's Tape</p> 	<p>Hack Saw</p> 
<p>Metal File</p> 	<p>Drill Bit Ø3mm</p> 	<p>wooden pad</p>  <p>25mm</p>	

SAFETY INFORMATION

CAUTION

Please carefully read the following important safety information before handling or installing this shower door. There is a risk of serious injury while handling this product.

To minimize these risks, please note:

- Always wear safety glasses and gloves while handling.
- Always follow the installation instructions.
- Inspect the glass for damage before installation.
- Extreme caution should be taken while handling the glass during installation, as the tempered glass may shatter if it comes into contact with a hard surface.
- Do not cut or modify the tempered glass, as it will shatter if cut.
- Carefully remove the product from its packaging and keep the packaging until the installation is complete.
- Inspect all parts for damage or missing items. If there is any damage or missing parts prior to installation, please contact your seller for help.
- Cover the drain with tape to prevent the loss of small parts.
- The shower base and finished walls should be installed before beginning the shower door installation.
- During installation, protect the shower floor with a drop cloth to prevent damage.
- This product should be installed by two people who are familiar with construction requirements. Professional installation is recommended!
- Keep this installation manual for future reference.

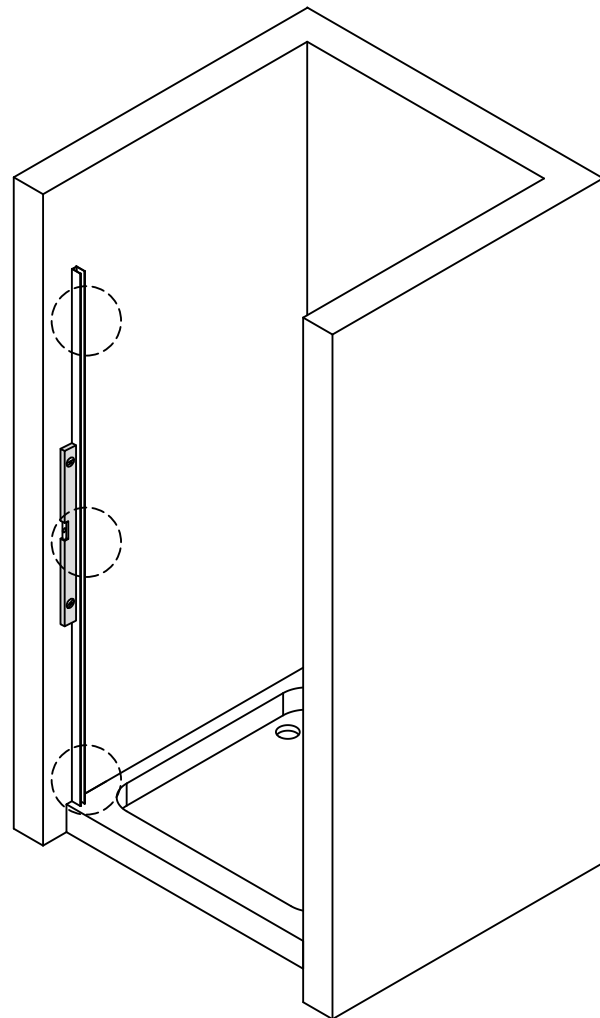
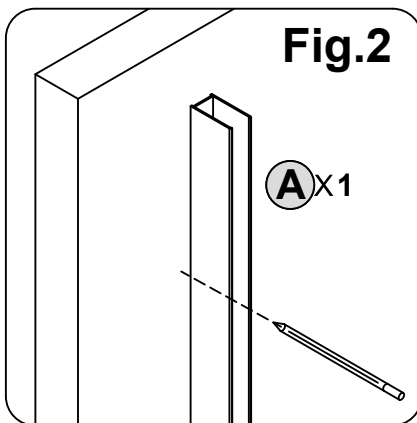
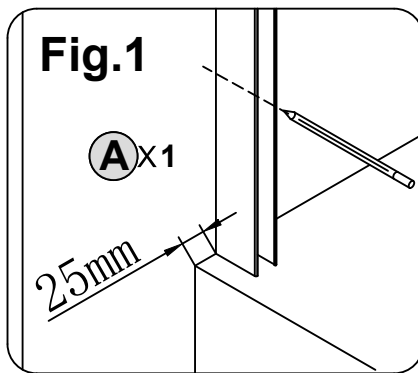
NOTE: Two people should perform this installation.



1 Install **Wall Jamb 1 (A)**

NOTE

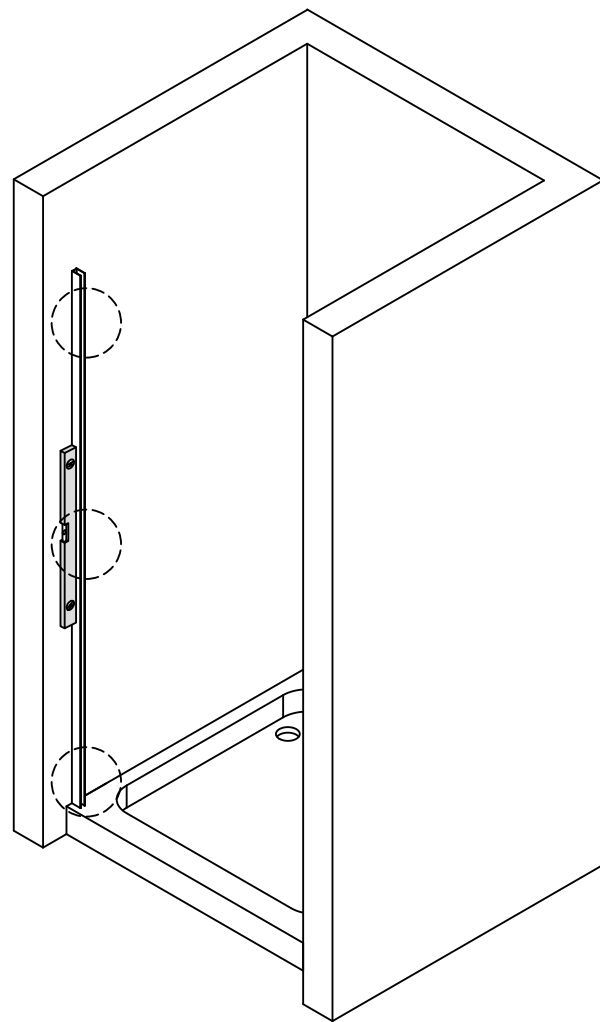
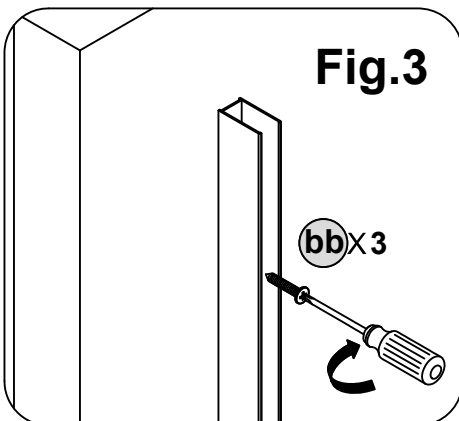
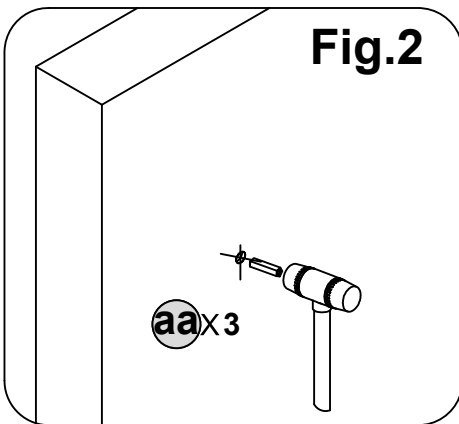
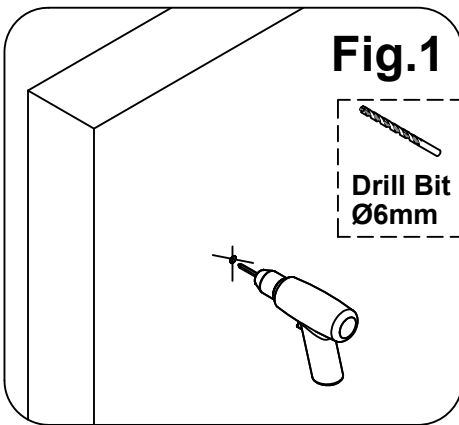
1. Position **Wall Jamb 1 (A)** 1" (25mm) from the edge. Use a level to ensure vertical alignment.
2. Mark drilling points on the wall through the **Wall Jamb 1 (A)** holes.



2 Secure Wall Jamb 1 (A)

NOTE

1. Remove the **Wall Jamb 1 (A)** and drill $\text{Ø}6\text{mm}$ holes at marked points.
2. Insert **expansion anchors (aa)** into the holes using a softhead hammer.
3. Secure **Wall Jamb 1 (A)** with **flat head selftapping screws (bb)**.
Ensure vertical alignment.

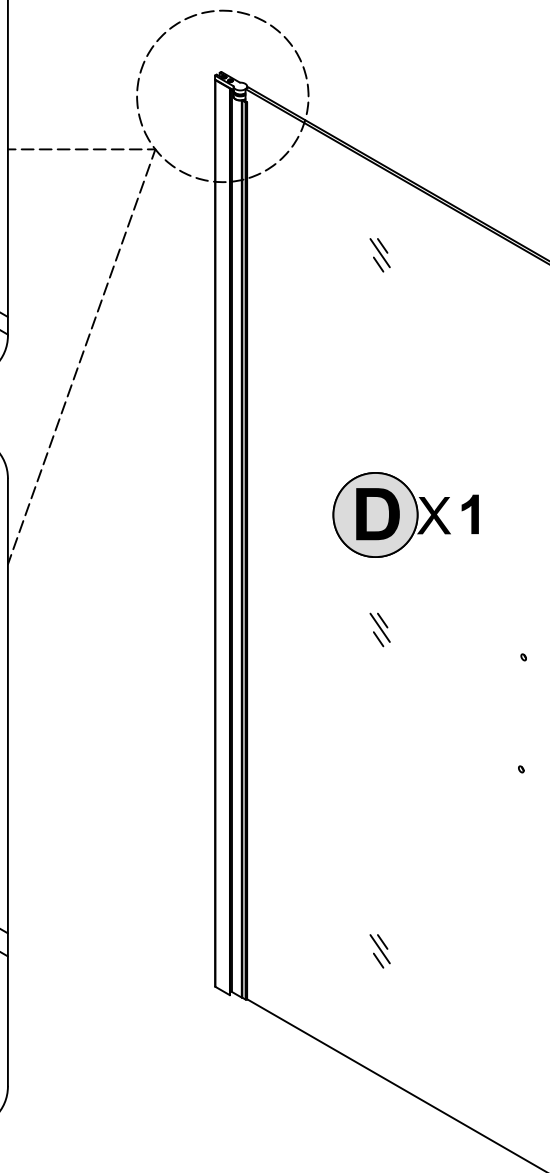
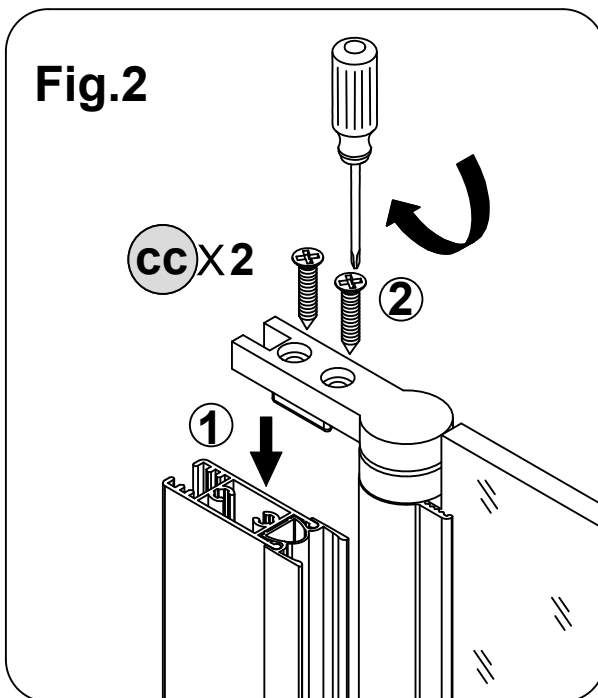
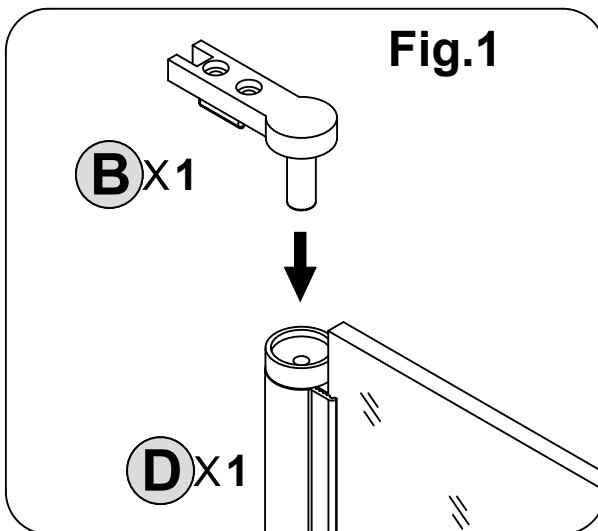


3 Install **Top Pivot Bracket (B)**

NOTE

1. Insert **Top Pivot Bracket (B)** into the upper hole of **Pivot Panel (D)**. Pay attention to distinguish the **Top Pivot Bracket (B)** and **Adjustable Pivot Bracket (H)**.

2. Attach the **Pivot Bracket (B)** slot with **Wall Jamb 2 (C)** and secure using **flat head selftapping screws (cc)**.

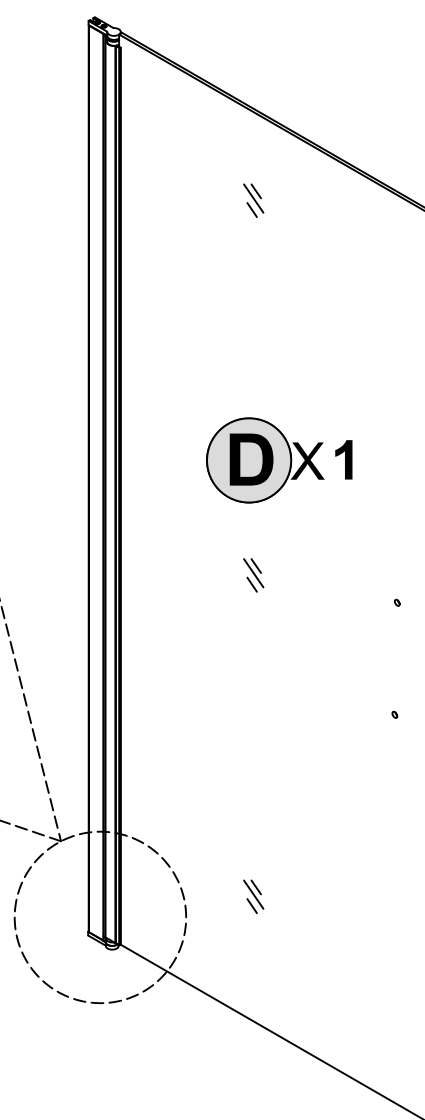
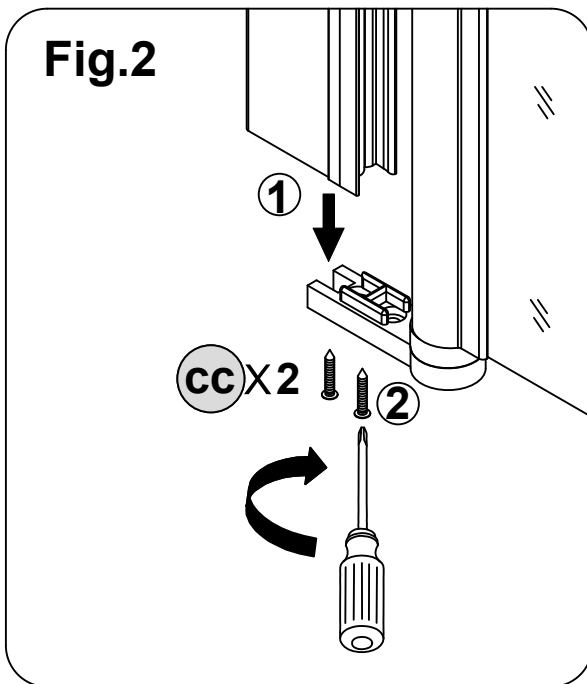
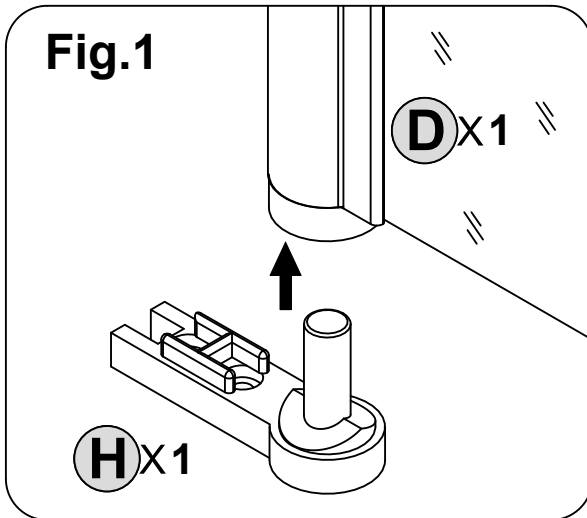


4 Install **Adjustable Pivot Bracket (H)**

1. Insert **Adjustable Pivot Bracket (H)** into the bottom hole of **Pivot Panel (D)**.

NOTE

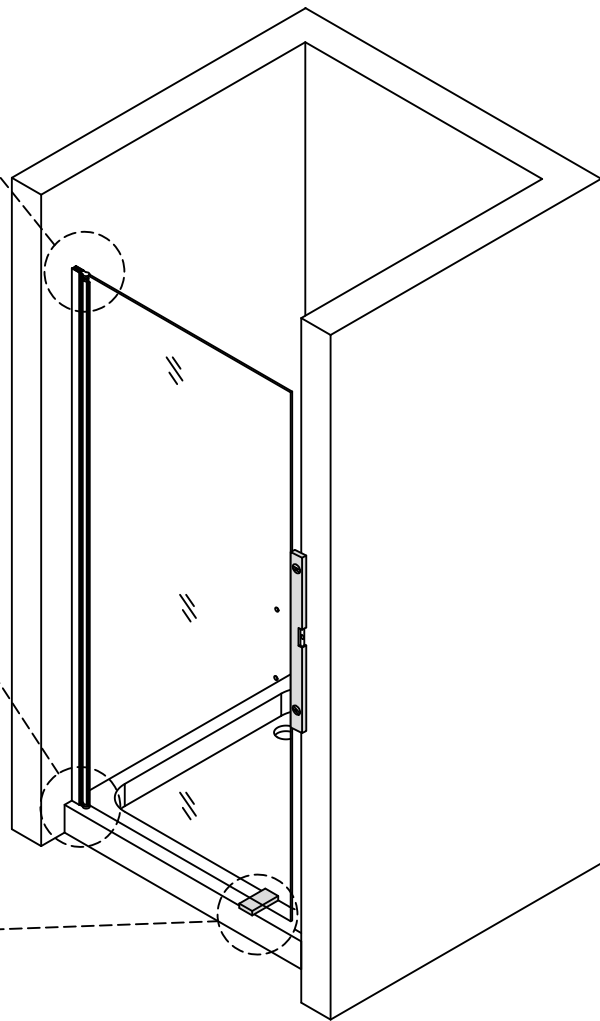
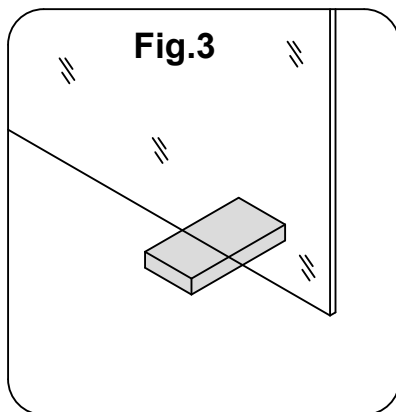
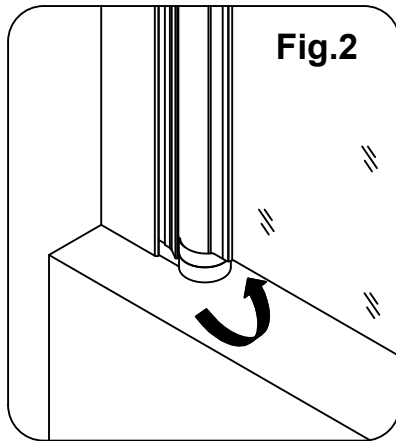
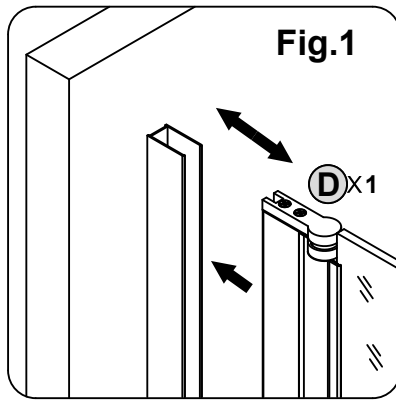
2. Attach the **Adjustable Pivot Bracket (H)** slot with **Wall Jamb 2 (C)** and secure using **flat head selftapping screws (cc)**.



5 Install **Pivot Panel (D)**

1. Lift **Pivot Panel (D)** into **Wall Jamb 1 (A)**. Adjust panel width as needed.
2. Rotate the **Pivot Panel (D)** 180° to align with the opening.
3. Place wooden shims under the **Pivot Panel (D)** for clearance. Adjust to ensure level and vertical alignment.

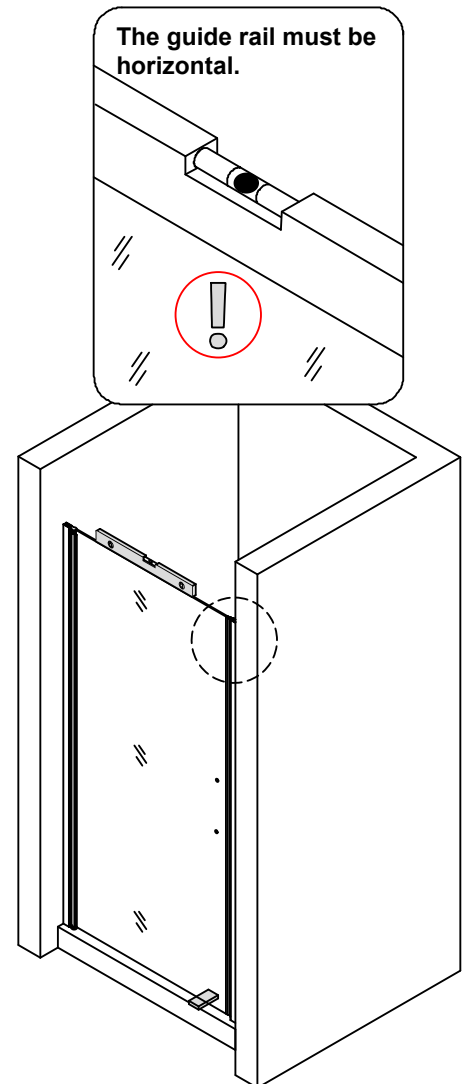
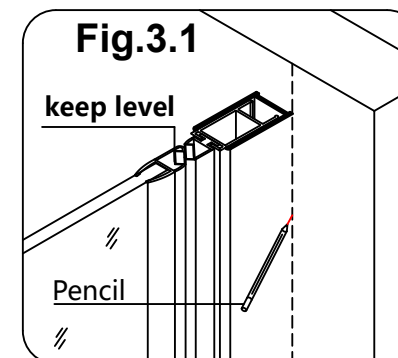
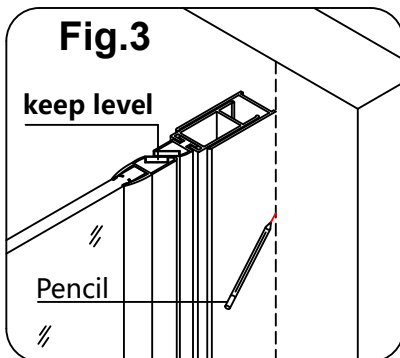
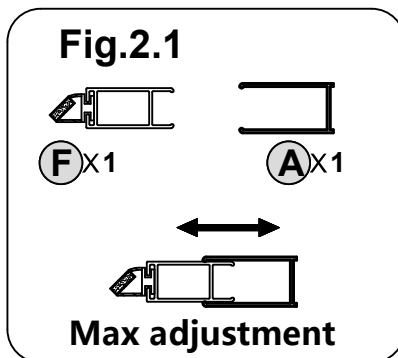
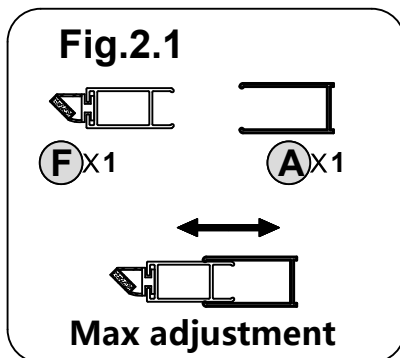
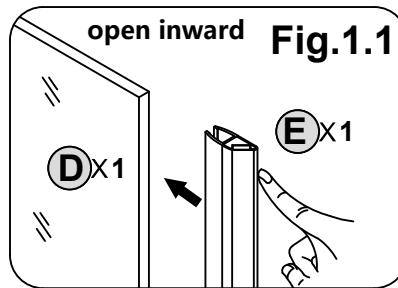
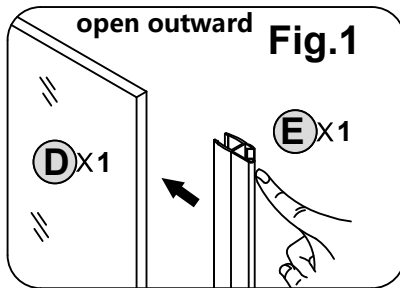
NOTE



6 Install **Magnetic Profile Seal (E)**

1. Attach **Magnetic Profile Seal (E)** to **Pivot Panel (D)**.
 2. Before fixing the **Pivot Panel (D)**, combine the **Wall Jamb 1 (A)** with **Magnetic Seal Aluminum Channel (F)**. Make sure all sections are level and smooth (When opening the door inward, please follow the instructions shown in Figures 1.1-3.1)

NOTE

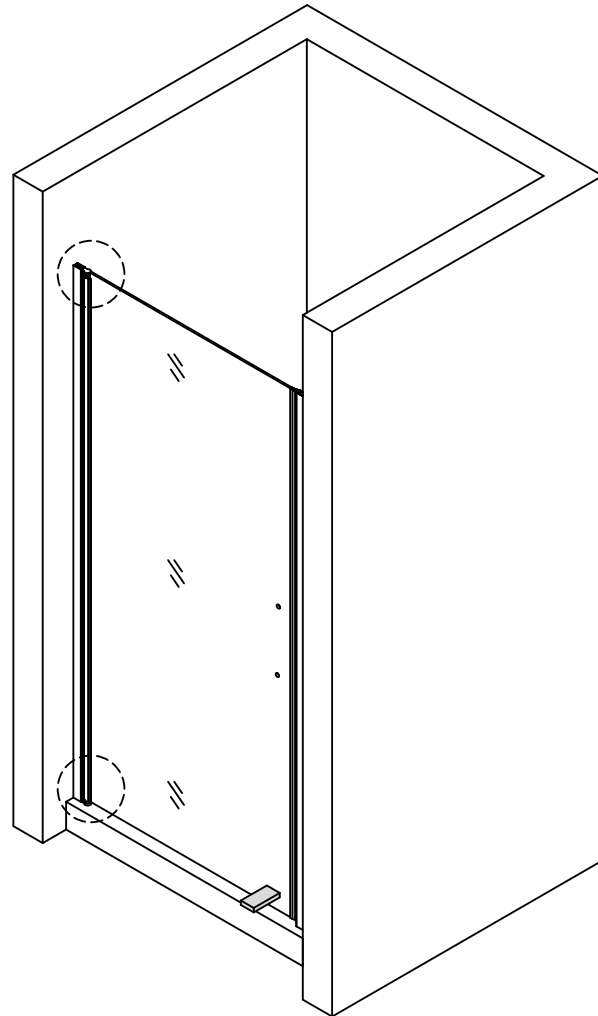
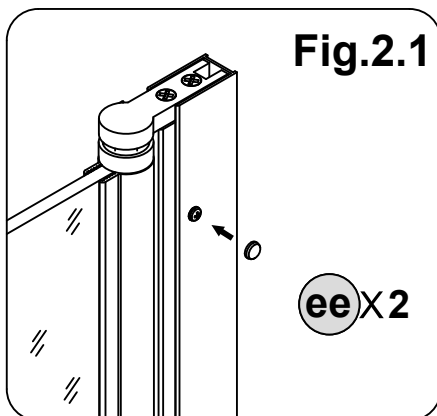
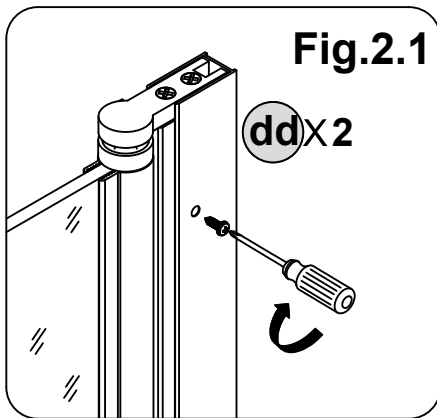
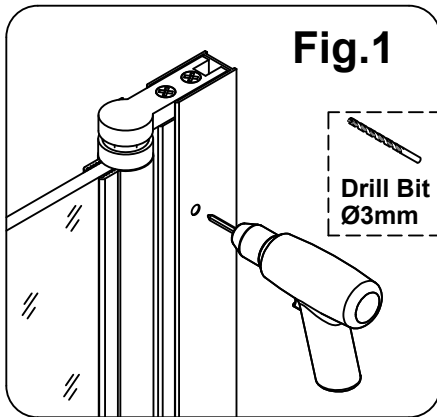


7

Connect **Wall Jamb 1 (A)** and **Pivot Panel (D)**

NOTE

1. Drill $\text{\O}3\text{mm}$ holes through **Wall Jamb 1 (A)**.
2. Secure using **round head selftapping screws (dd)**. Attach **screw caps (ee)**.

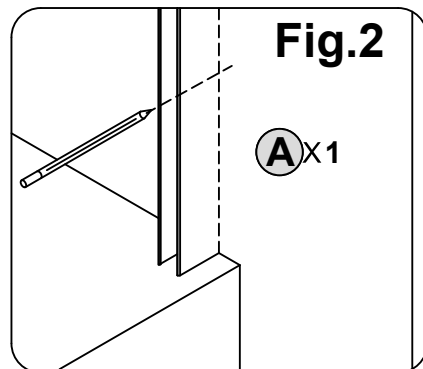
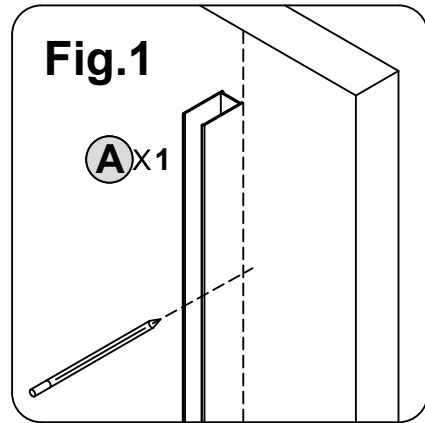
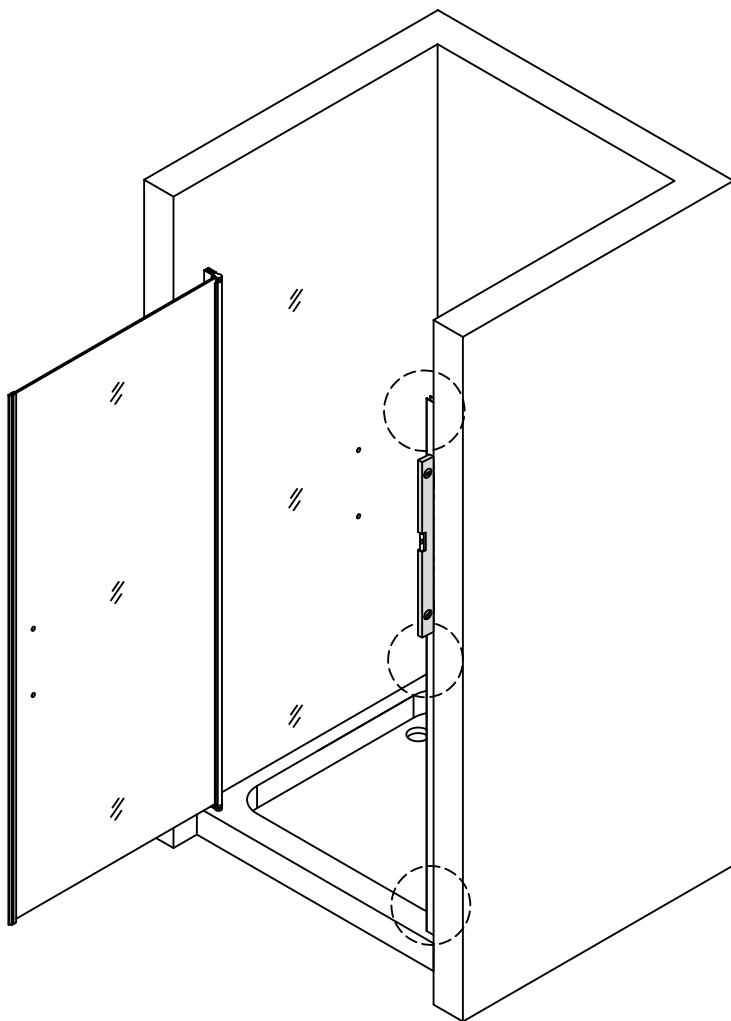


8 Install **Wall Jamb 1 (A)**

1. Align the **Wall Jamb 1 (A)** with the marked position. Use a level to ensure vertical alignment.

NOTE

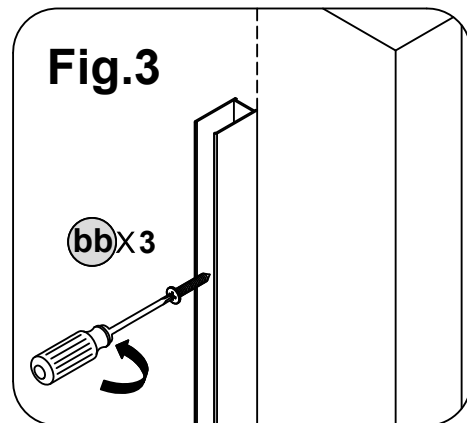
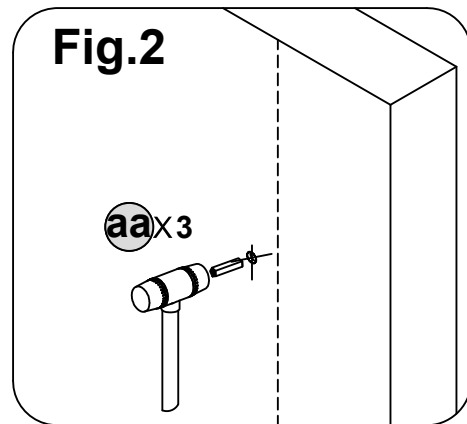
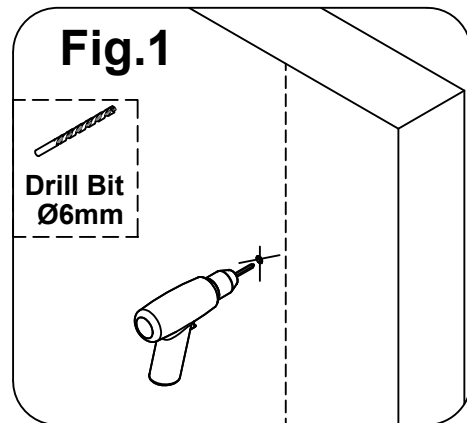
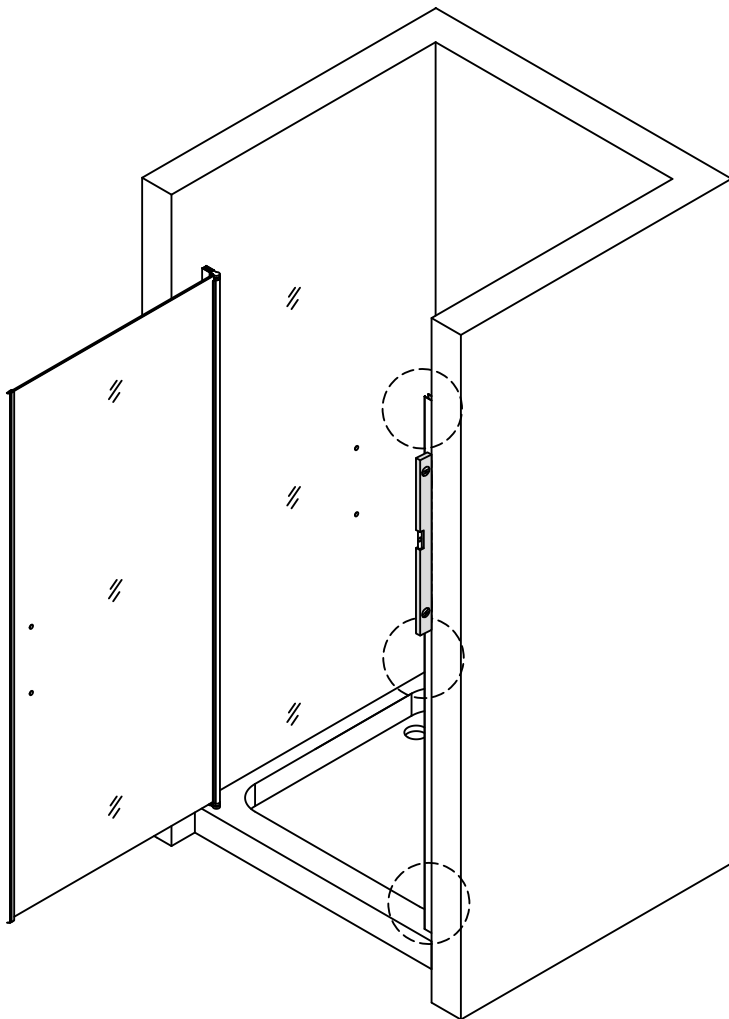
2. Mark drilling points on the wall through the **Wall Jamb 1 (A)** holes.



9 Secure **Wall Jamb 1 (A)**

1. Remove the **Wall Jamb 1 (A)** and drill $\text{Ø}6\text{mm}$ holes at marked points.
2. Insert **expansion anchors (aa)** into the holes using a softhead hammer.
3. Secure **Wall Jamb 1 (A)** with **flat head selftapping screws (bb)**. Ensure vertical alignment.

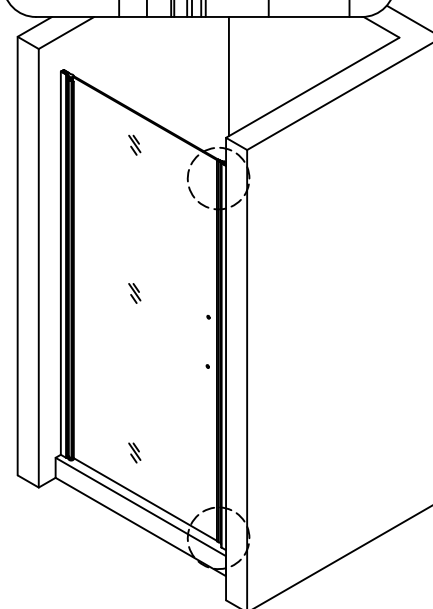
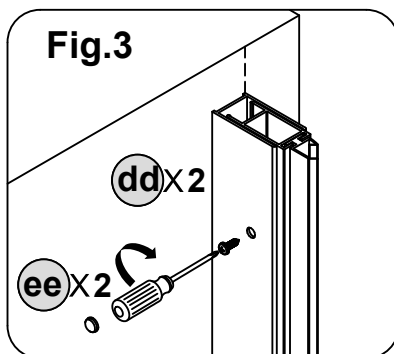
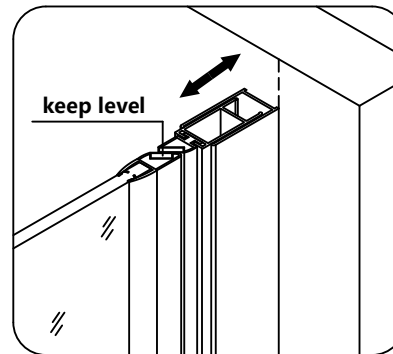
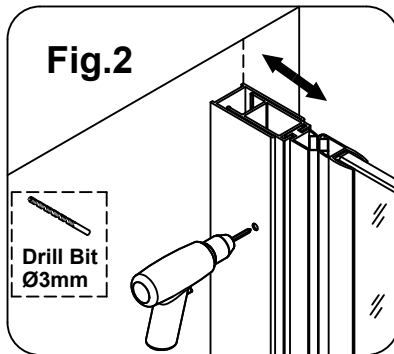
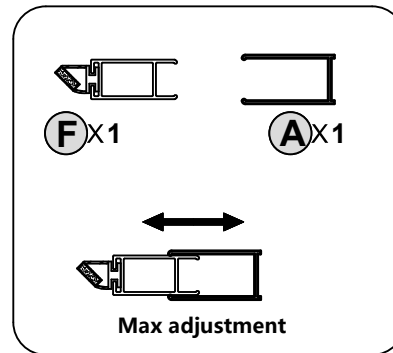
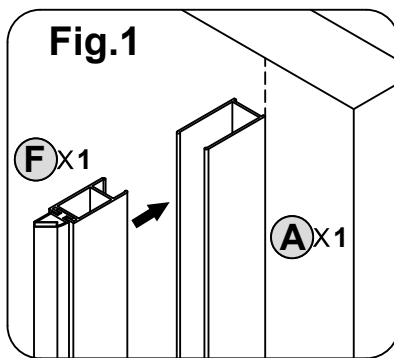
NOTE



10 Install the **Magnetic Seal Aluminum Channel (F)**, and connect the **Wall Jamb 1 (A)** and the (F)

NOTE

1. Clip the **Magnetic Seal Aluminum Channel (F)** into **Wall Jamb 1 (A)**.
2. Drill $\varnothing 3\text{mm}$ holes through **Wall Jamb 1 (A)**.
3. Secure using **round head selftapping screws (dd)**. Attach **screw caps (ee)**.

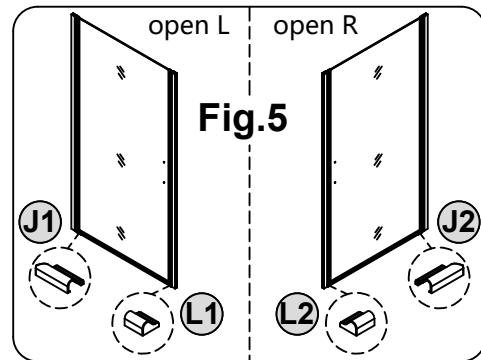
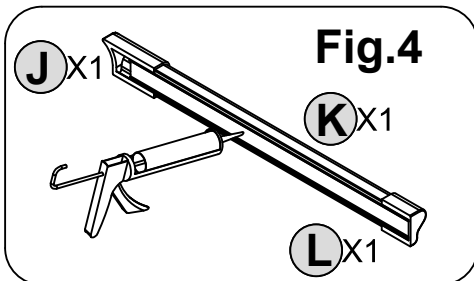
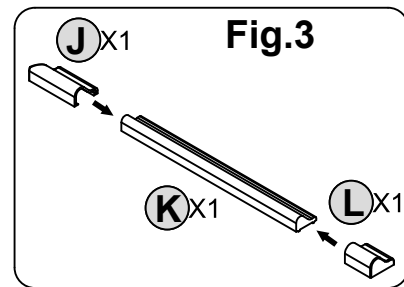
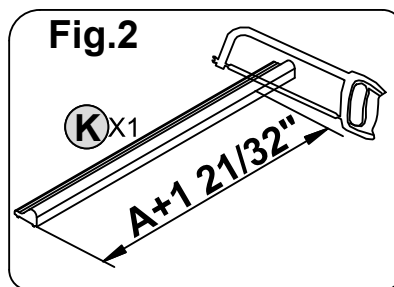
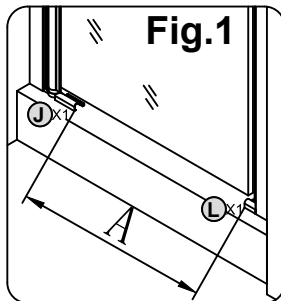


11 Install **Water Dam Aluminum Strip (K)**

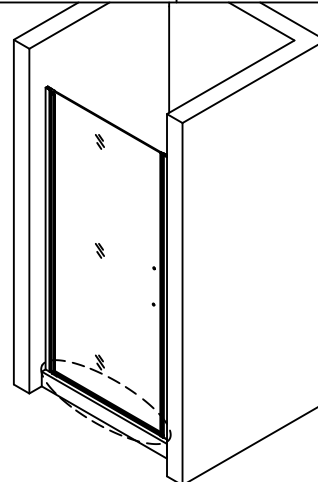
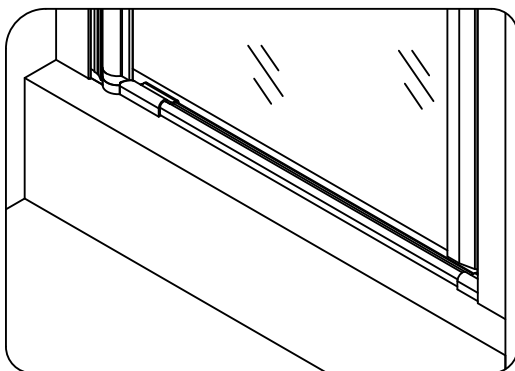
1. Place **Water Dam Connectors (J)** and **End Caps (L)** at both ends of the **Aluminum Strip (K)**.
2. Measure and cut the **Water Dam Aluminum Strip (K)** excess ($A+121/32$) (42mm).
3. Put **Water Dam Connectors (J)** and **End Caps (L)** into the both ends of **Water Dam Aluminum Strip (K)**.
4. Apply silicone sealant to the bottom of **Water Dam Connectors (J)** **Water Dam Aluminum Strip (K)** and **End Caps (L)**.

NOTE

(Note: The **Water Dam Connectors (J)** and the **End Caps (L)** are divided into left and right types. The **Water Dam Connectors (J)** and the **End Caps (L)** is selected on site according to the installation method. As shown in Figure 5.



2. Place the **(J)** and **(L)** at each end of the **(K)** are placed against the profile.



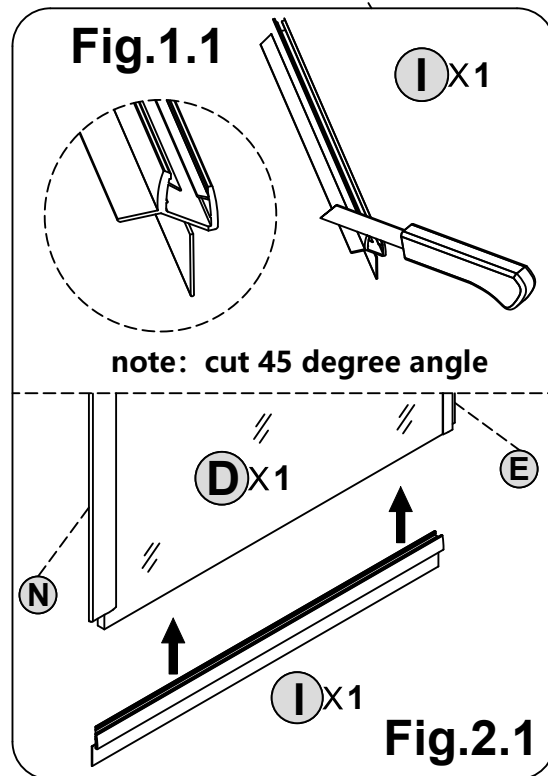
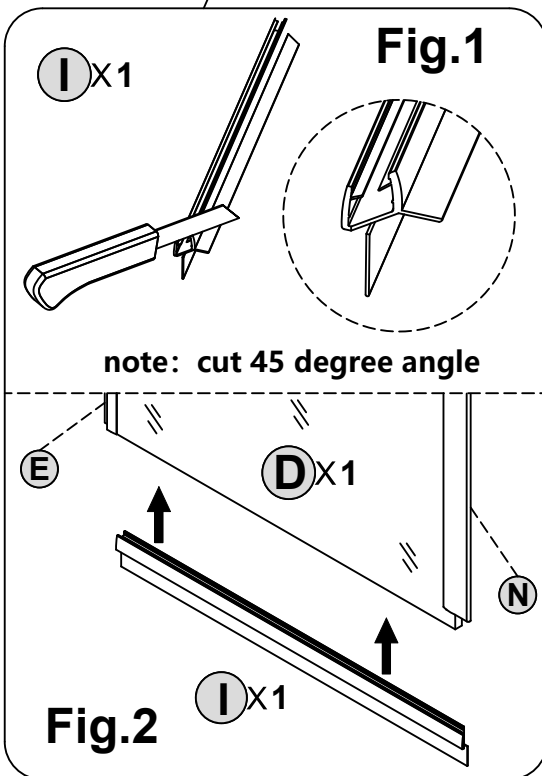
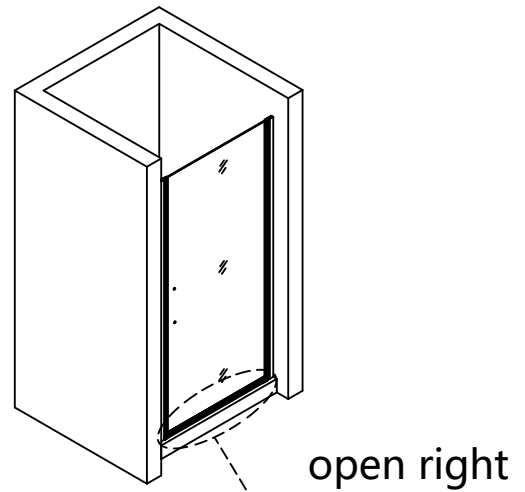
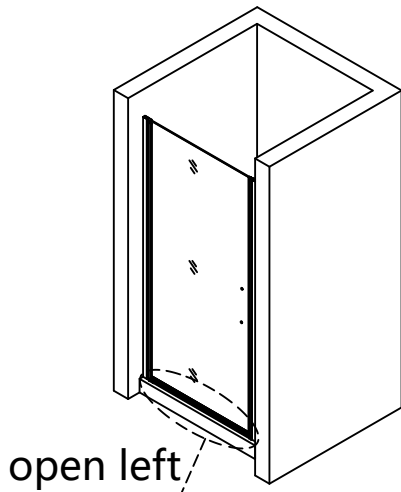
12 Attach the **Bottom Water Seal Gasket (I)**

NOTE

1. Cut the **Bottom Water Seal Gasket (I)** at a 45 degree Angle towards the **Magnetic Profile Seal (E)**.

2. Attach the **Bottom Water Seal Gasket (I)** to **Pivot Panel (D)**, 45 degree angle align with **Magnetic Profile Seal (E)**.

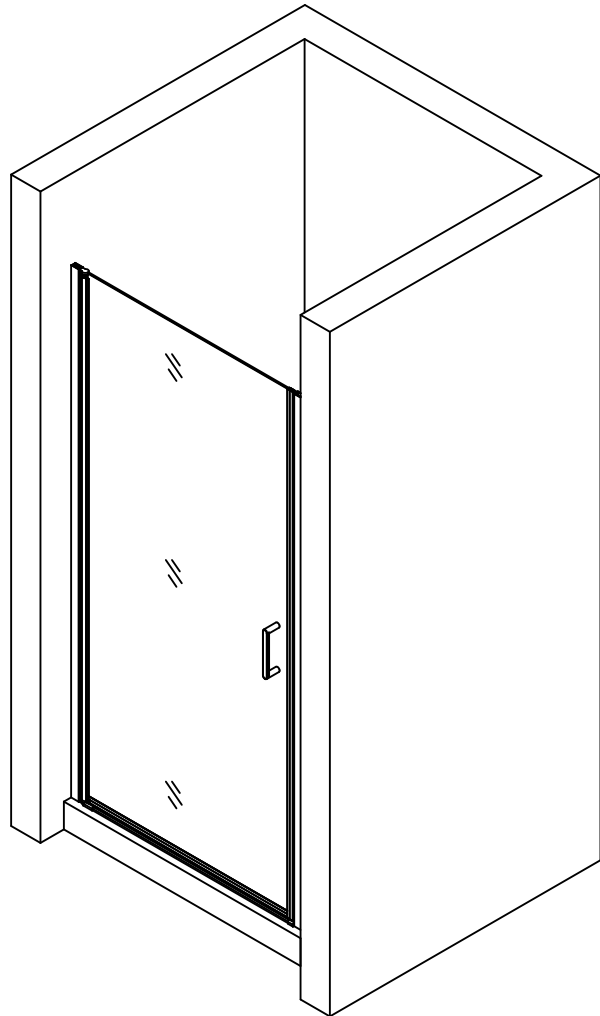
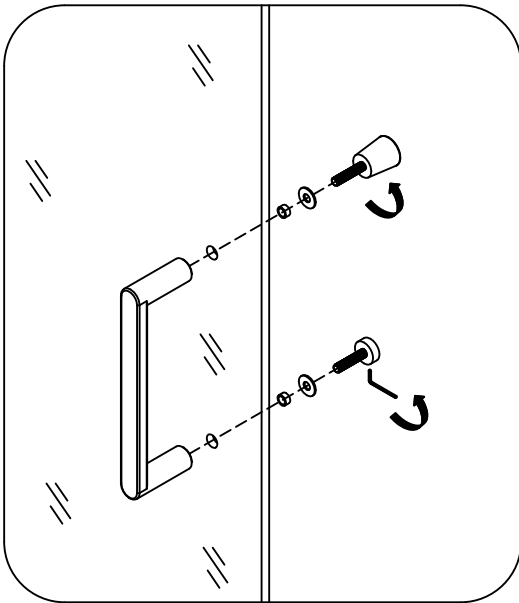
(Note: When the **Pivot Panel (D)** is install at the right side, cut the 45 degree angle as Fig1.1,2.1)



13 Install **Handle (G)**

NOTE

Install **Handle (G)** on **Pivot Panel (D)**.
Use all plastic washers to protect the glass.



14 SEALING

NOTE The surfaces need to be clean and free of debris before applying silicone.

NOTE Make sure the shower door is tightly closed and opens smoothly. Apply high-quality asbestos sealant along the bottom of the fixed glass and the bottom of the lower water barrier.



Allow 24 hours for the silicone to cure before using the shower.



! Apply Silicone Sealant, (not supplied).

Apply silicone to the wall position on the outside of the wall material.

