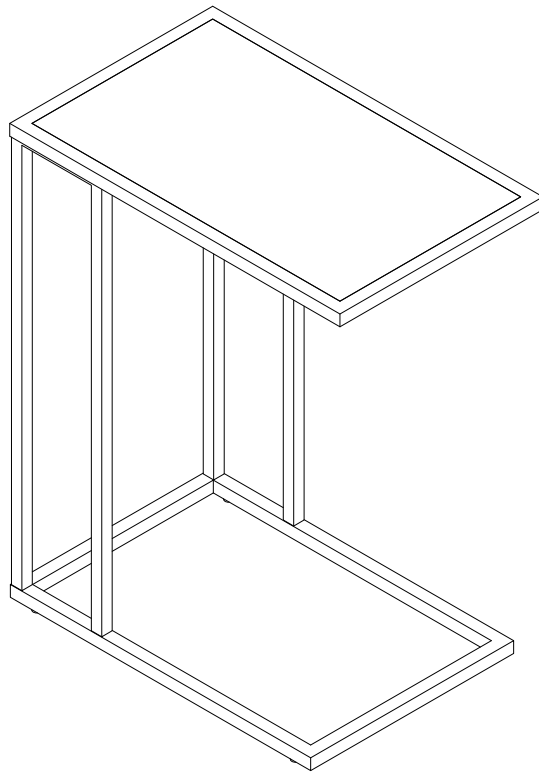
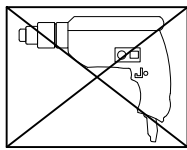


Assembly Instructions



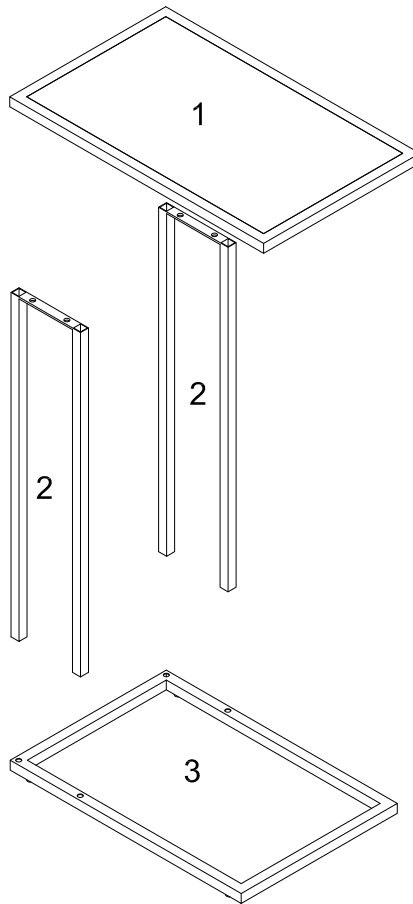
General Assembly Guidelines

- I. Ensure that all parts and hardware are available before beginning assembly.
- II. Follow each step carefully to ensure the proper assembly of this product.
- III. Two people are recommended for ease in the assembly of this product.
- IV. The main type of hardware used to assemble this product are: bolts and screws.
- V. Power tools should not be used to assemble this product.

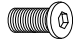
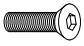



- VI. Drill may be needed for securing product to wall.

Parts List

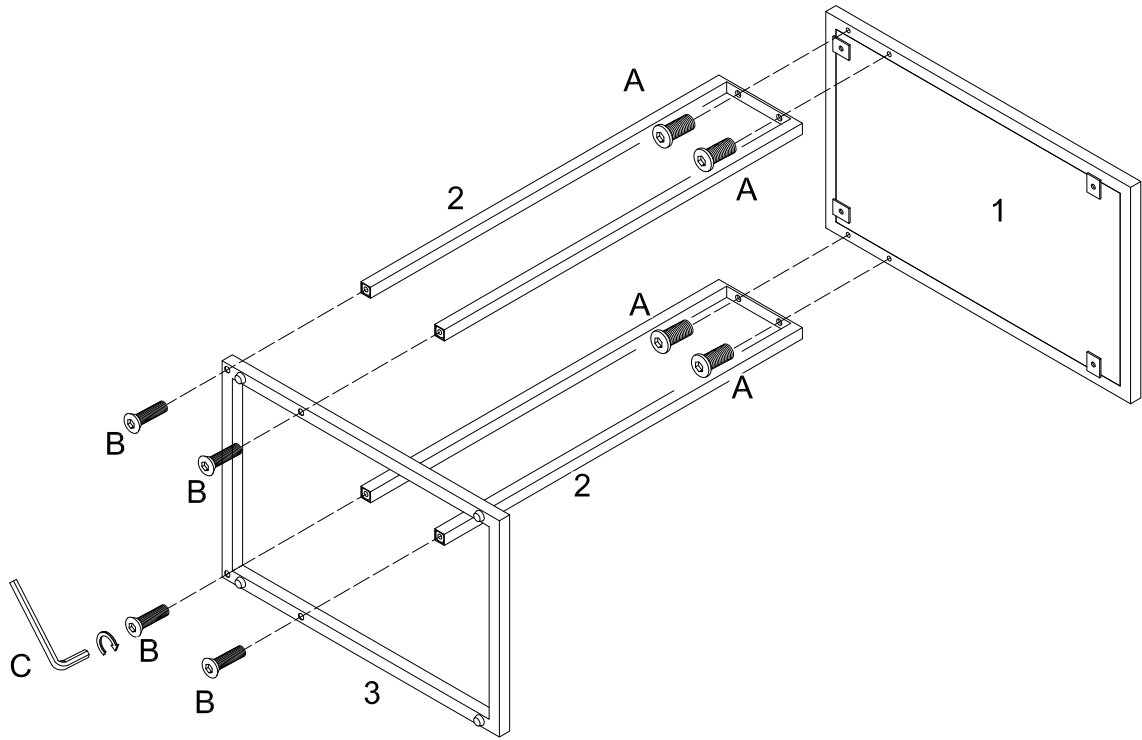


Hardware List

A		M6x12mm	Bolt	4 pcs
B		M6x25mm	Bolt	4 pcs
C		M4	Hex Key	1 pc

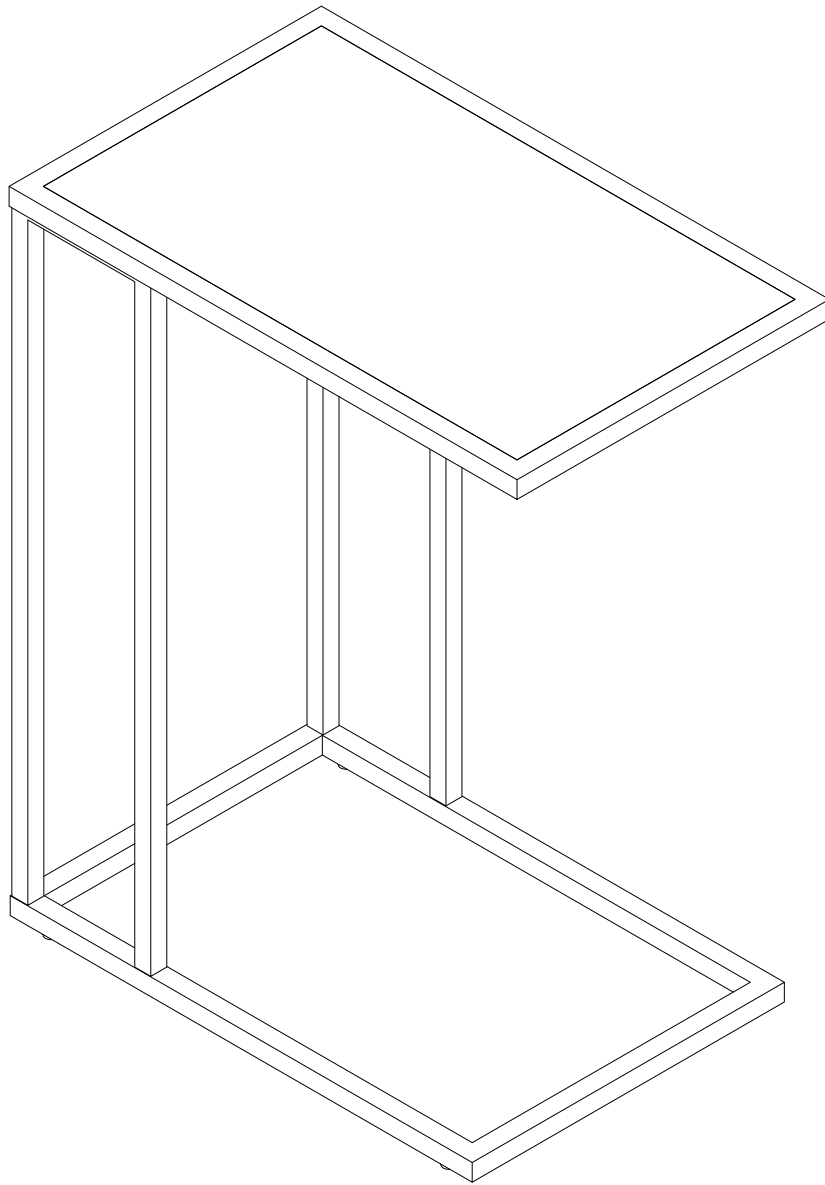
*The hardware quantities listed above are required for proper assembly.
Some extra hardware may also have been included.*

Step 1



Attach part 2 to part (1,3) using bolt (A,B) with hex key per diagram.

Step 2



Final Assembly