

ASSEMBLY INSTRUCTIONS

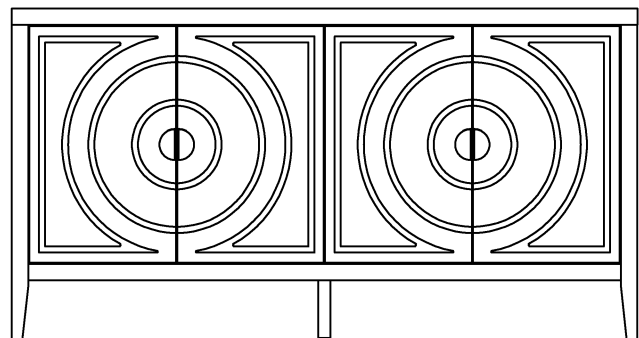
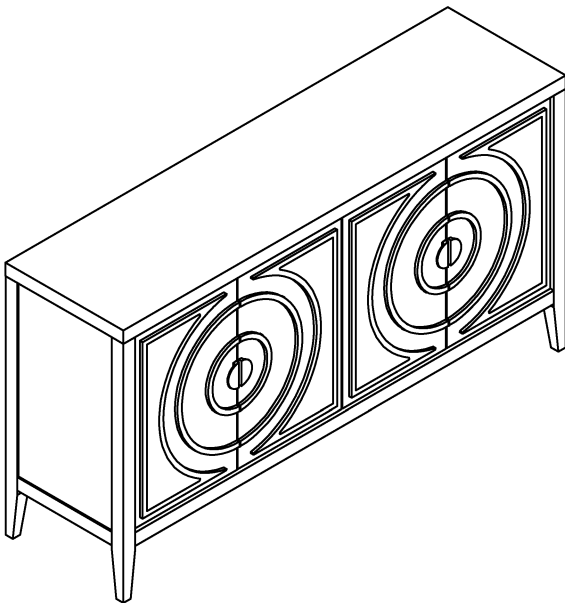
Thank you for purchasing this quality product. Be sure to check all packing material carefully for small Hardware which may have come loose inside the carton during shipment. Identify and count all hardware and compare with the hardware list below

ASSEMBLY INSTRUCTION :

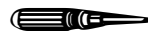
1. Remove hardware from box and sort by size.
2. Please check to see that all hardware and parts are present prior start of assembly.
3. Please follow attached instruction in the same sequence as numbered to assure fast and easy.

⚠ WARNING !

1. Don't attempt to repair or modify parts that are broken or defective. Please contact the store immediately.
2. This product is for home use only and not intended for commercial establishments.
3. Two persons are required for assembly.
4. Approximate assembly time: 1/2 hours
5. Component parts and fittings contained in the box.
Please sort out all parts before you begin to assemble the item.
This is to make sure you always use the correct part
6. It is **STRONGLY RECOMMENDED** that you **ANCHOR** this product.
Toppling furniture can cause serious injuries and death.
This product has not been fitted with an anchor strap.
To prevent your furniture from tipping forward it is strongly recommended that you securely attach this product to a wall or other solid surface, using the anchor straps provided and appropriate fixings.



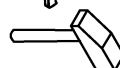
TOOLS NEEDED: Phillips Screwdriver



Wall Drill

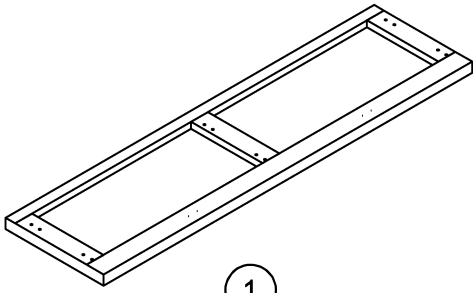


Hammer

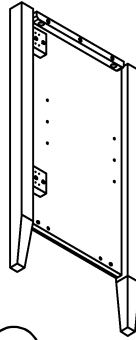


ASSEMBLY INSTRUCTIONS

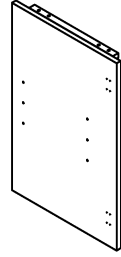
PART LIST



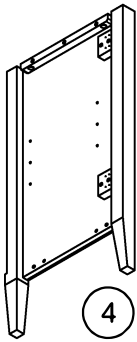
1
x1
Top panel



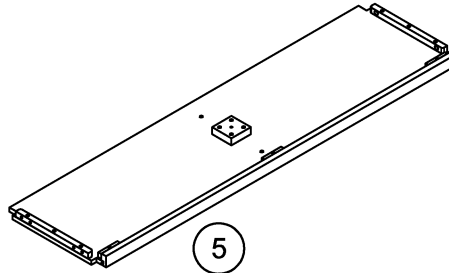
2
x1
Left side panel



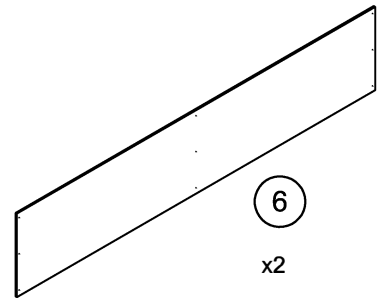
3
x1
Middle panel



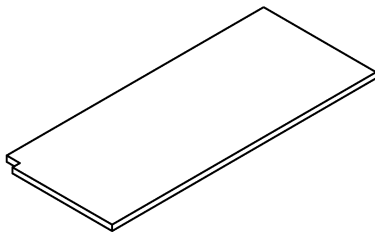
4
x1
Right side panel



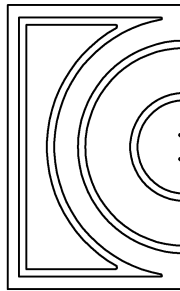
5
x1
bottom panel



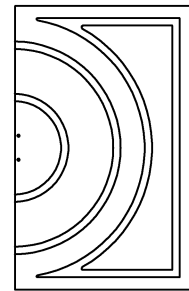
6
x2
Back panel



7 LR
x2
Shelf panel



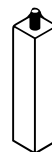
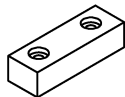
8AA
x2
Left door panel



8BB
x2
Right door panel



9
x2
BLOCKING DOOR



10
x1
bottom panel

ASSEMBLY INSTRUCTIONS

HARDWARE LIST

1/4 Φ12* 1



(A)

x10
Bolts



(B)

x10
Flat Washer

Φ10* 1mm



(C)

x10
Spring Washer

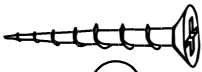
4mm



(D)

x1
Allen Key

Φ8*1-1/2



(E)

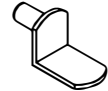
x2
Screws

Φ8*3/4



(F)

x12
Dowels



(G)

x8
Shelf supports

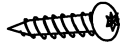
Φ8*1



(H)

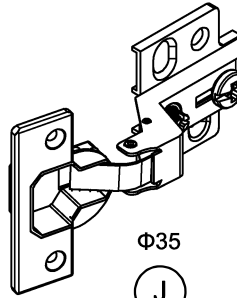
x4
Screws

Φ8*5/8



(I)

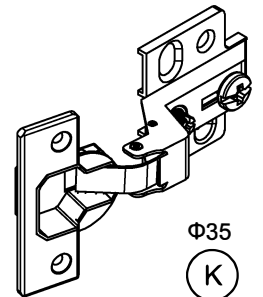
x18
Screws



Φ35

(J)

x4
Large curved hinge
(big curvy)

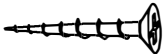


Φ35

(K)

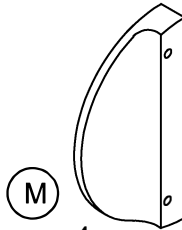
x4
Curved Hinges
(small curve)

Φ8*5/8



(L)

x48
Screws



(M)

x4
Handles

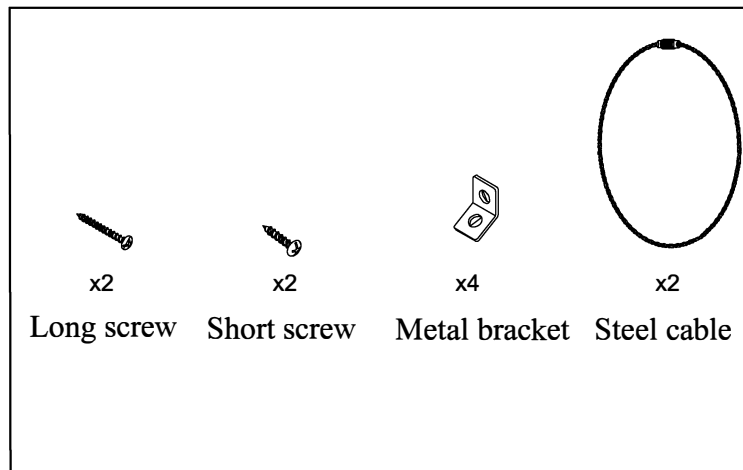
5/32"* 5/8"



(N)

x8
handle bolts

Anti-recline hardware



x2

Long screw

x2

Short screw

x4

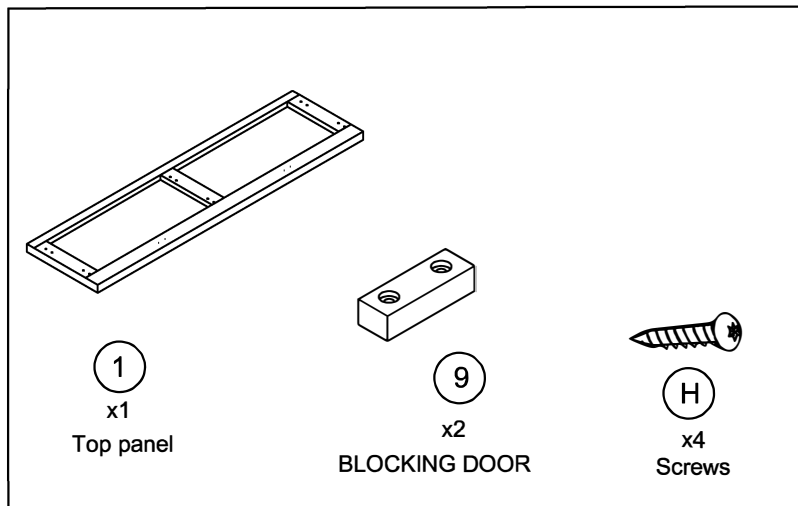
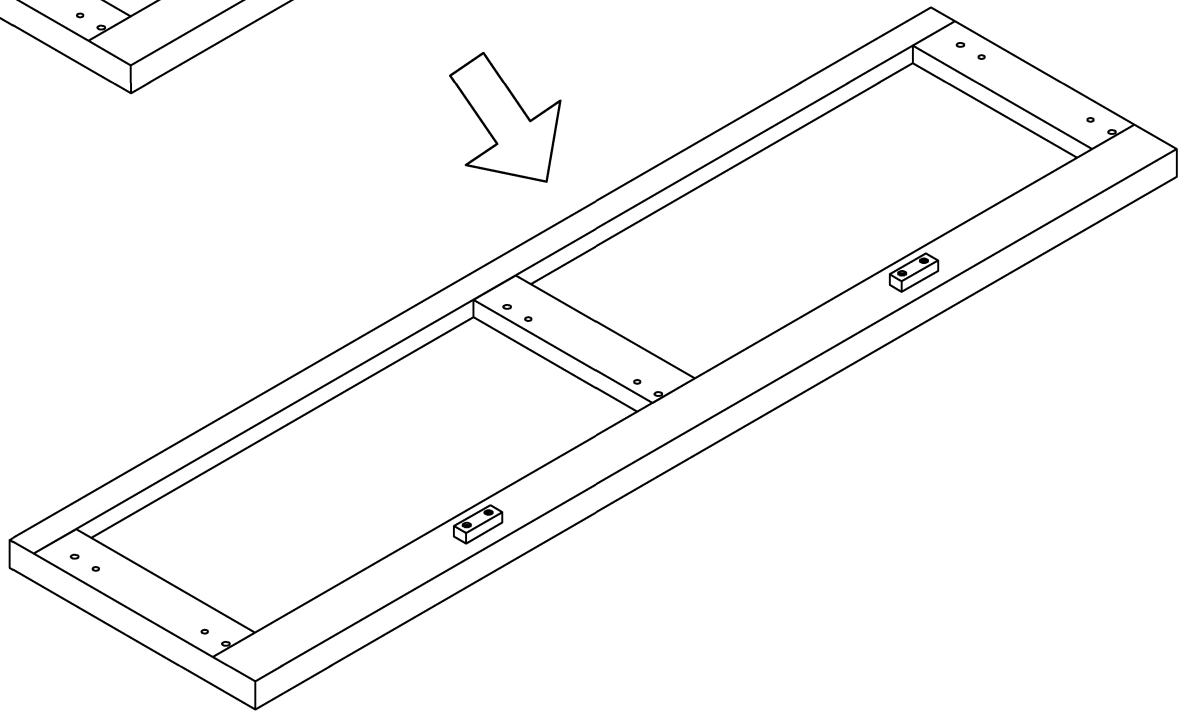
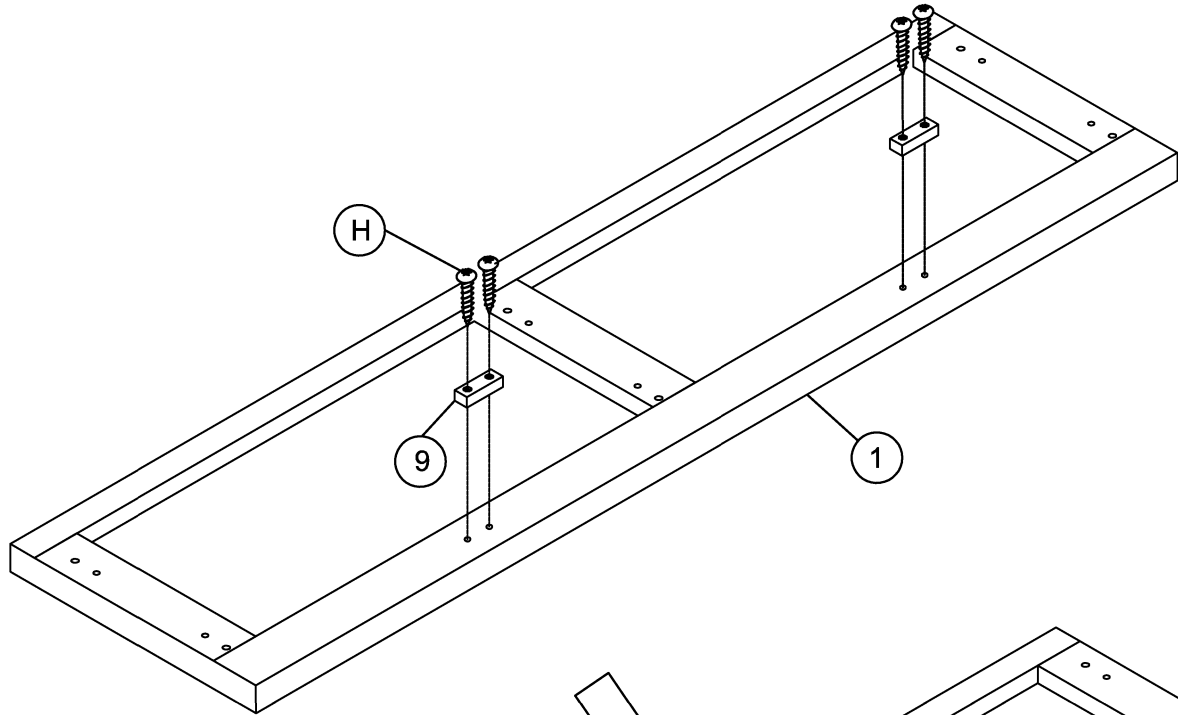
Metal bracket

x2

Steel cable

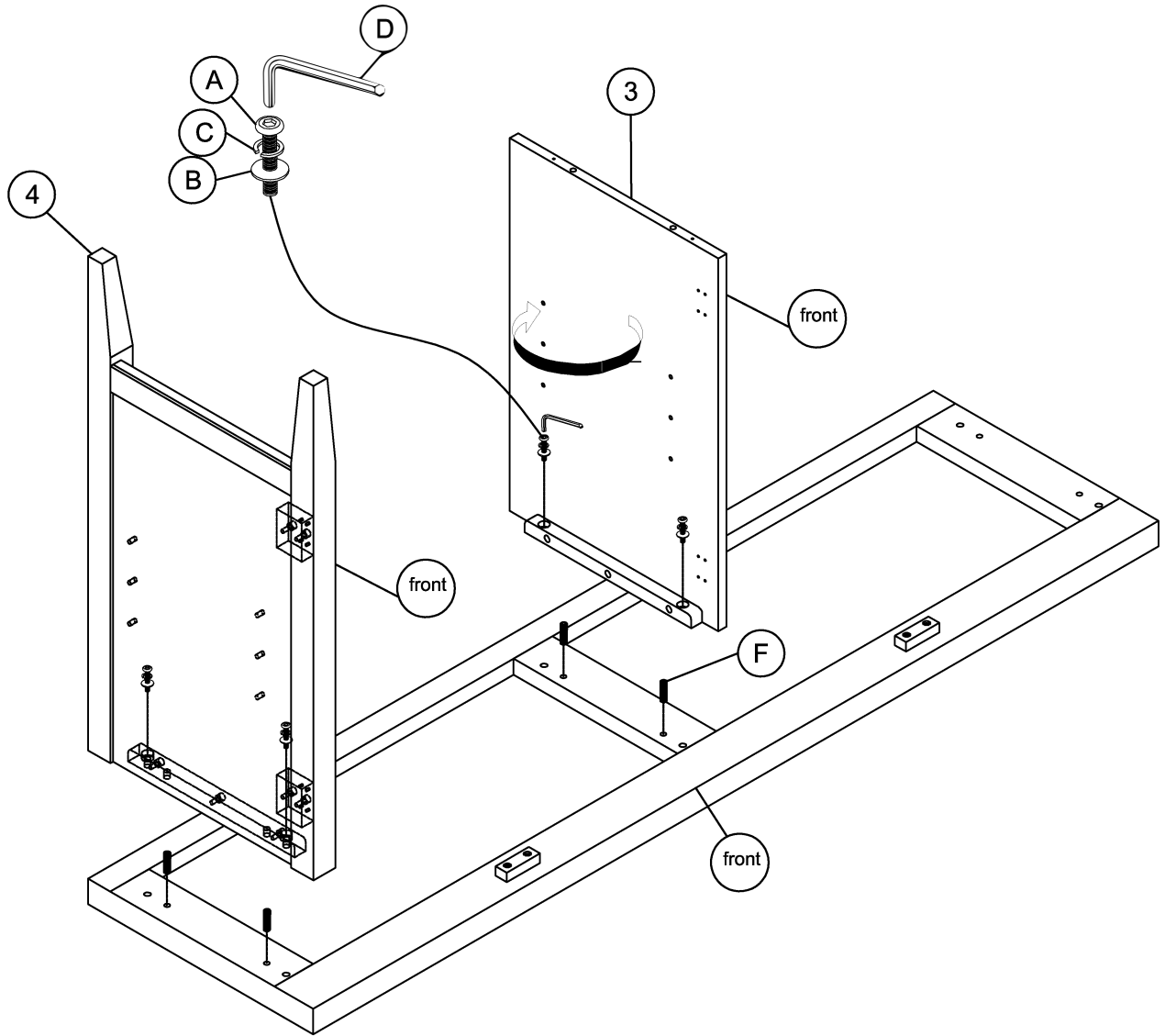
ASSEMBLY INSTRUCTIONS

STEP 1



ASSEMBLY INSTRUCTIONS

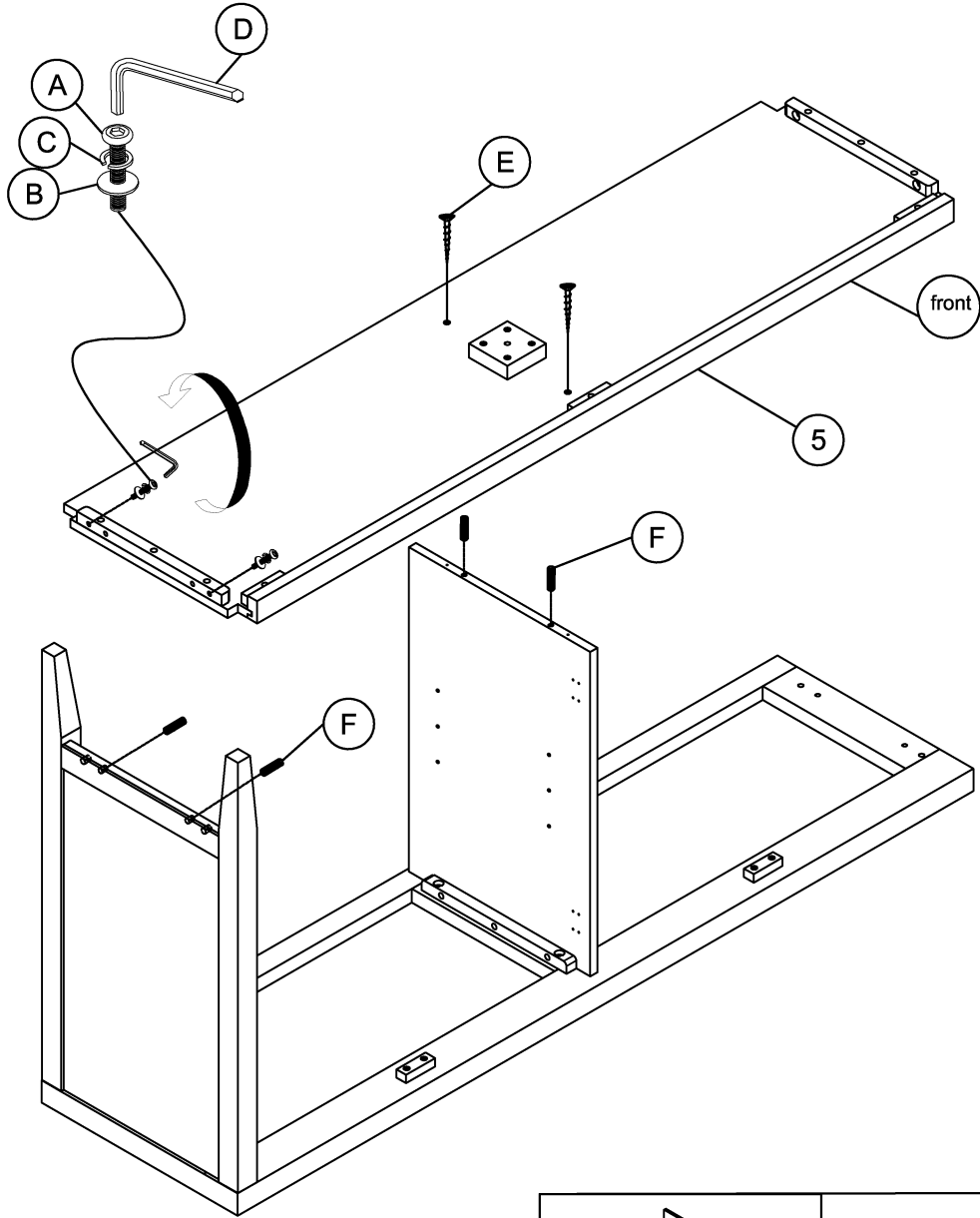
STEP 2



			<p>4 x1 Right side panel</p>	<p>3 x1 Middle panel</p>
<p>A x4 Bolts</p>	<p>B x4 Flat Washer</p>	<p>C x4 Spring Washer</p>	<p>D x1 Allen Key</p>	<p>F x4 Dowels</p>

ASSEMBLY INSTRUCTIONS

STEP 3

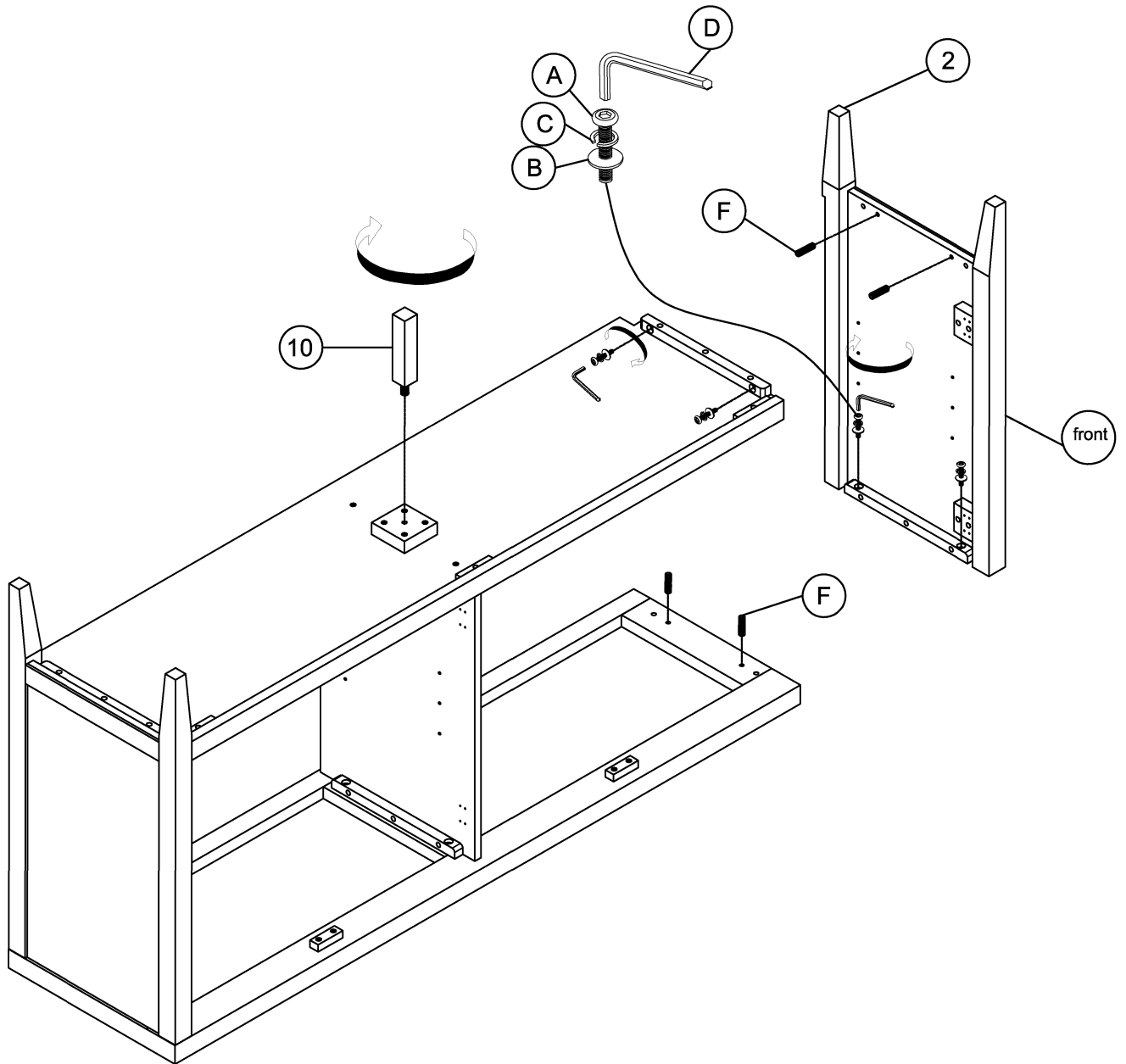


5
x1
bottom panel

A	B	C	D	E	F
x2 Bolts	x2 Flat Washer	x2 Spring Washer	x1 Allen Key	x2 Screws	x4 Dowels

ASSEMBLY INSTRUCTIONS

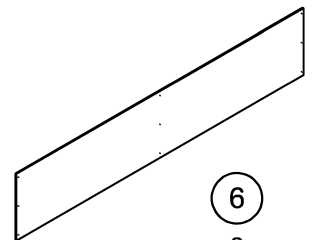
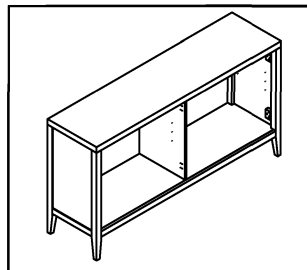
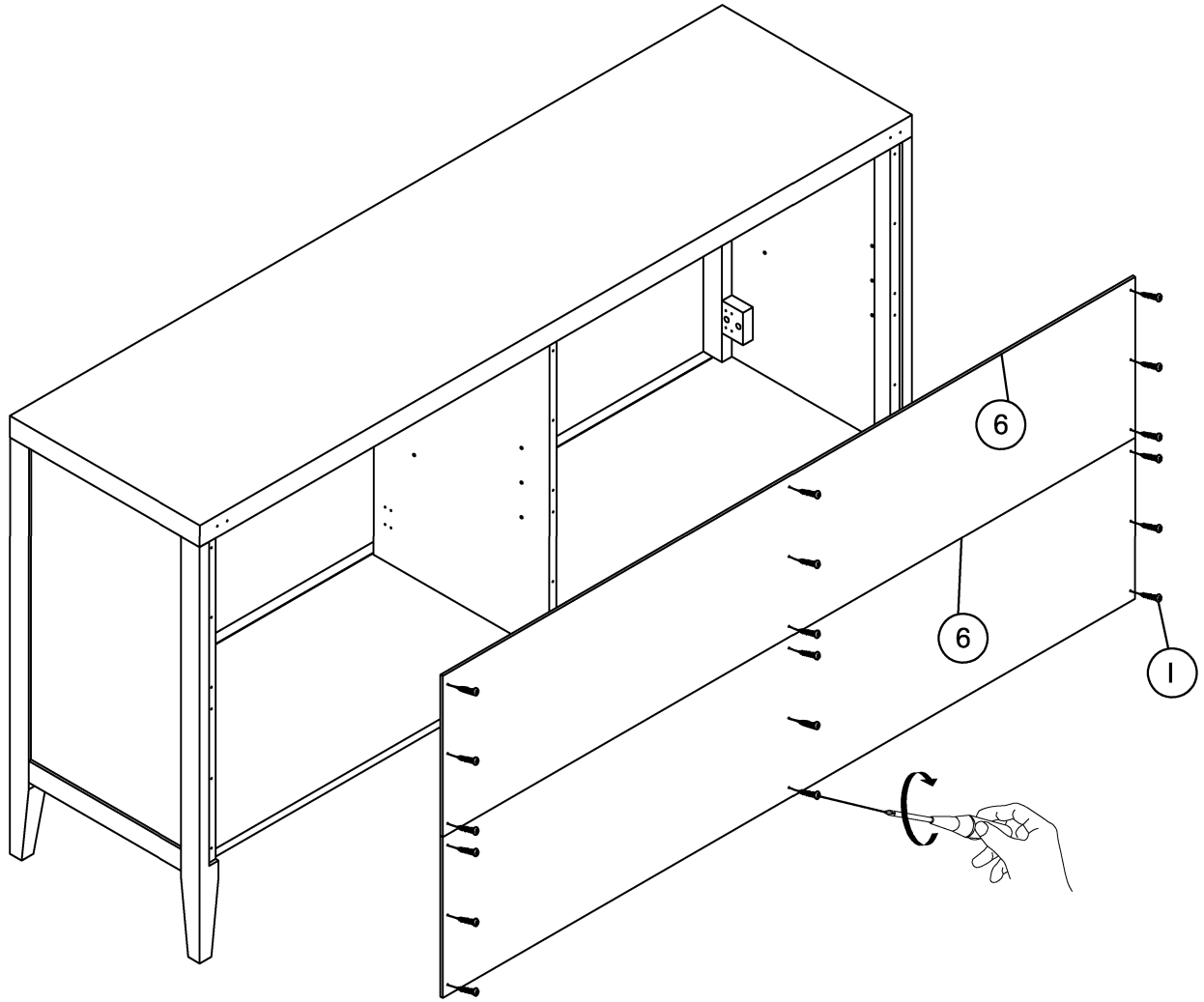
STEP 4



		<p>2 x1 Left side panel</p>	<p>10 x1 bottom panel</p>
<p>A x4 Bolts</p>	<p>B x4 Flat Washer</p>	<p>C x4 Spring Washer</p>	<p>D x1 Allen Key</p>
		<p>F x4 Dowels</p>	

ASSEMBLY INSTRUCTIONS

STEP 5



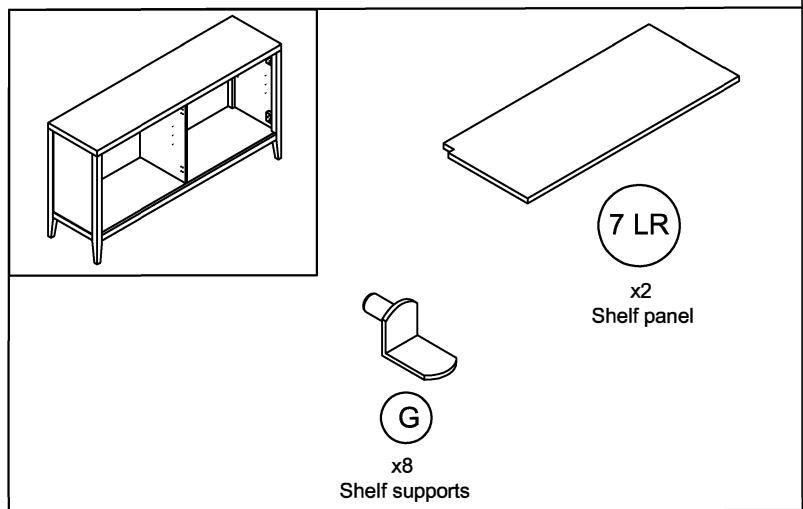
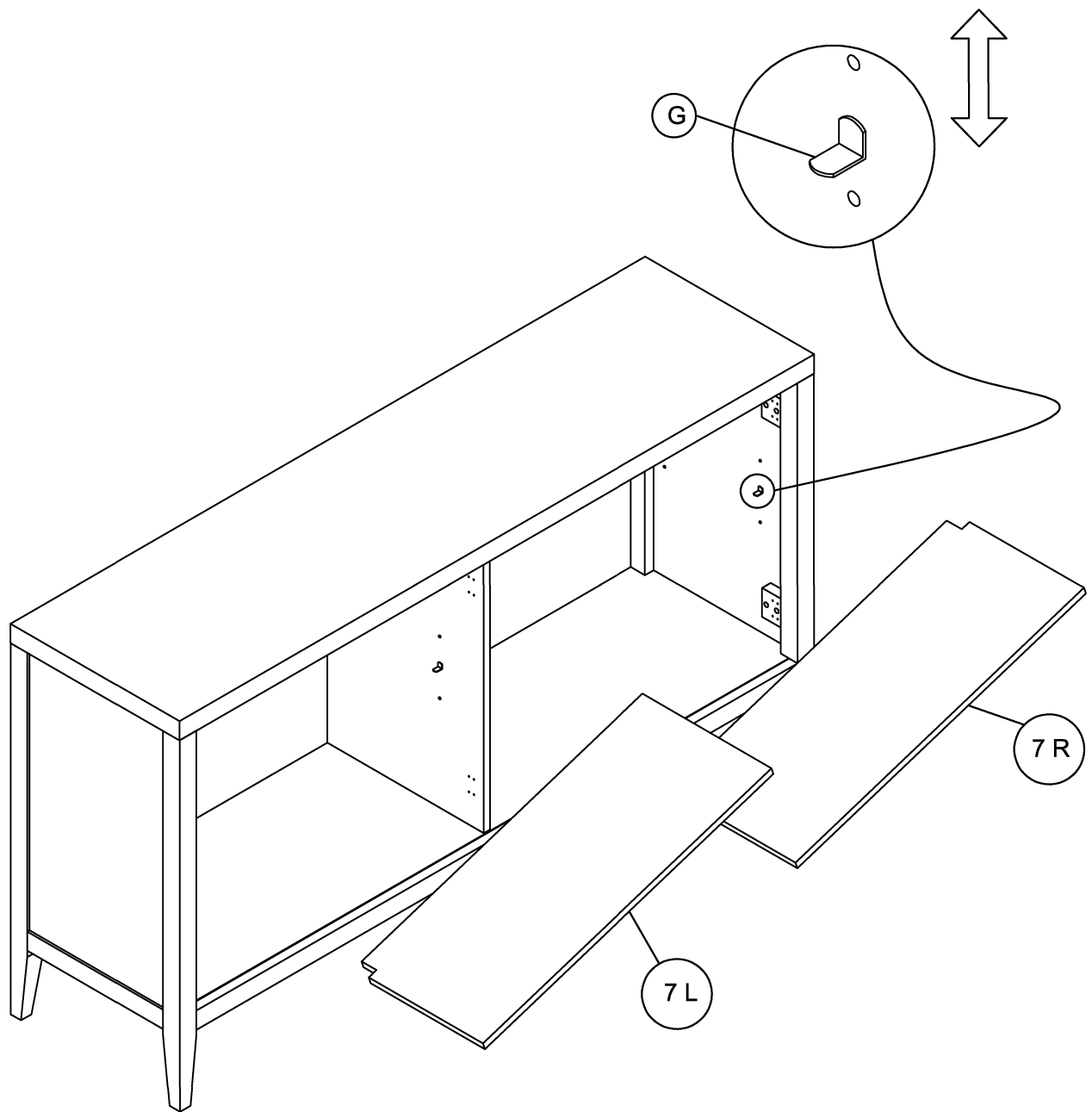
6
x2
Back panel



1
x18
Screws

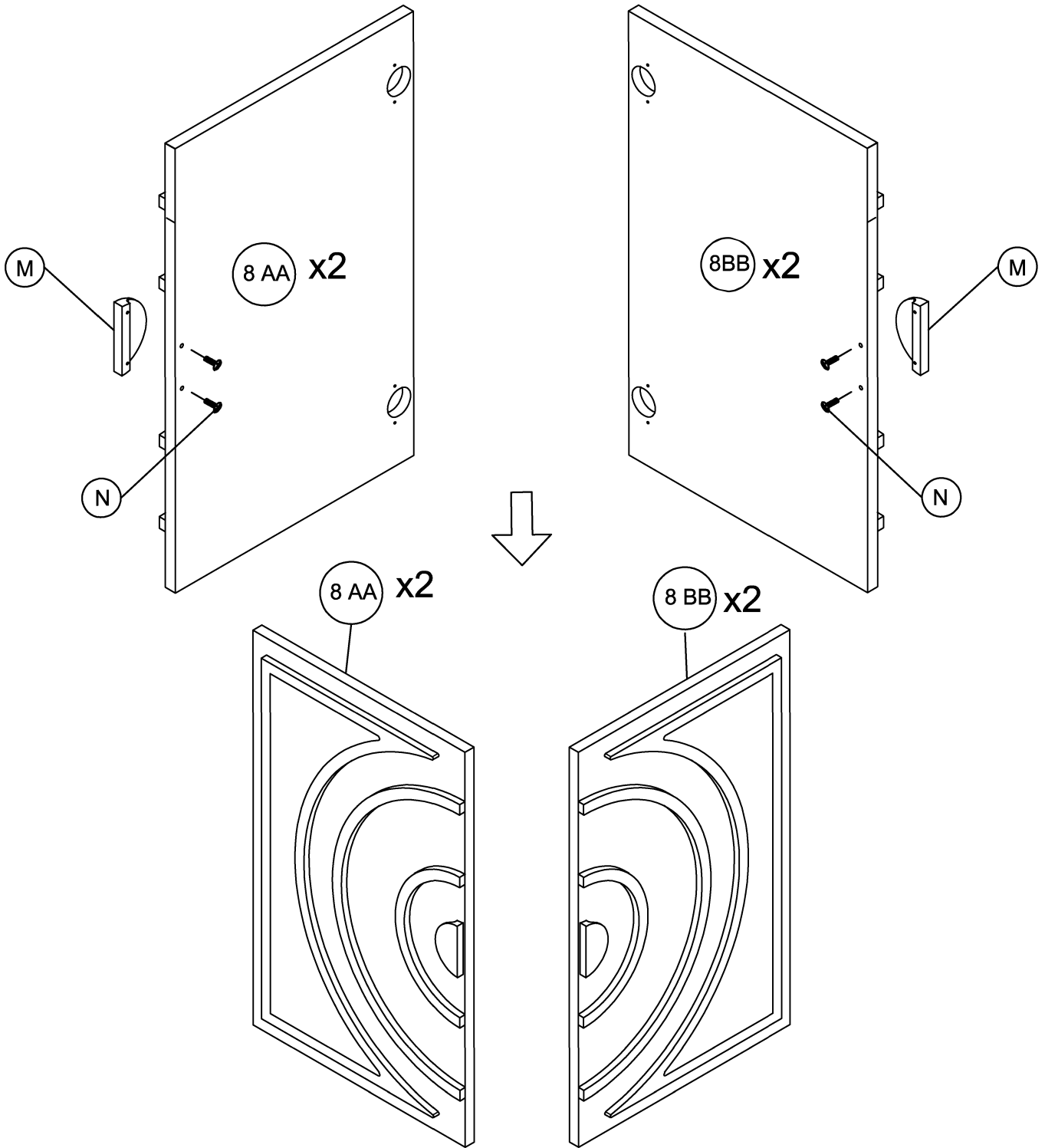
ASSEMBLY INSTRUCTIONS





STEP 6



ASSEMBLY INSTRUCTIONS

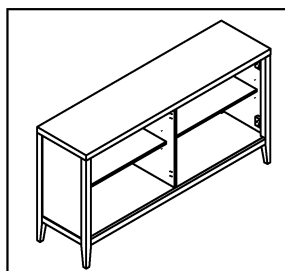
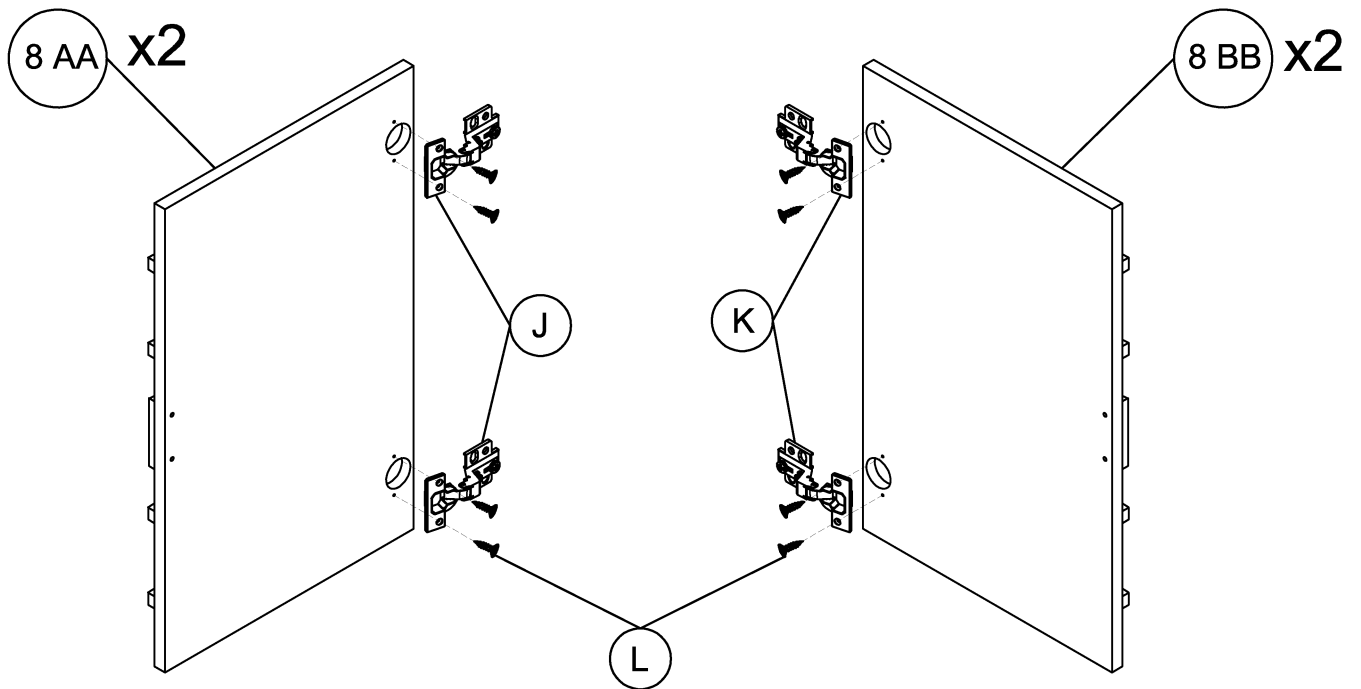
STEP 7



			
8AA	8BB	M	N
x2	x2	x4	x8
Left door panel	Right door panel	Handles	handle bolts

ASSEMBLY INSTRUCTIONS

STEP 8



8AA

x2

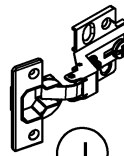
Left door panel



8BB

x2

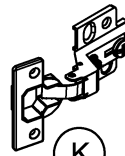
Right door panel



J

x4

Large curved hinge
(big curvy)



K

x4

Curved Hinges
(small curve)



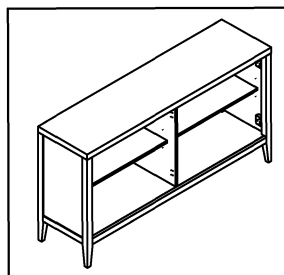
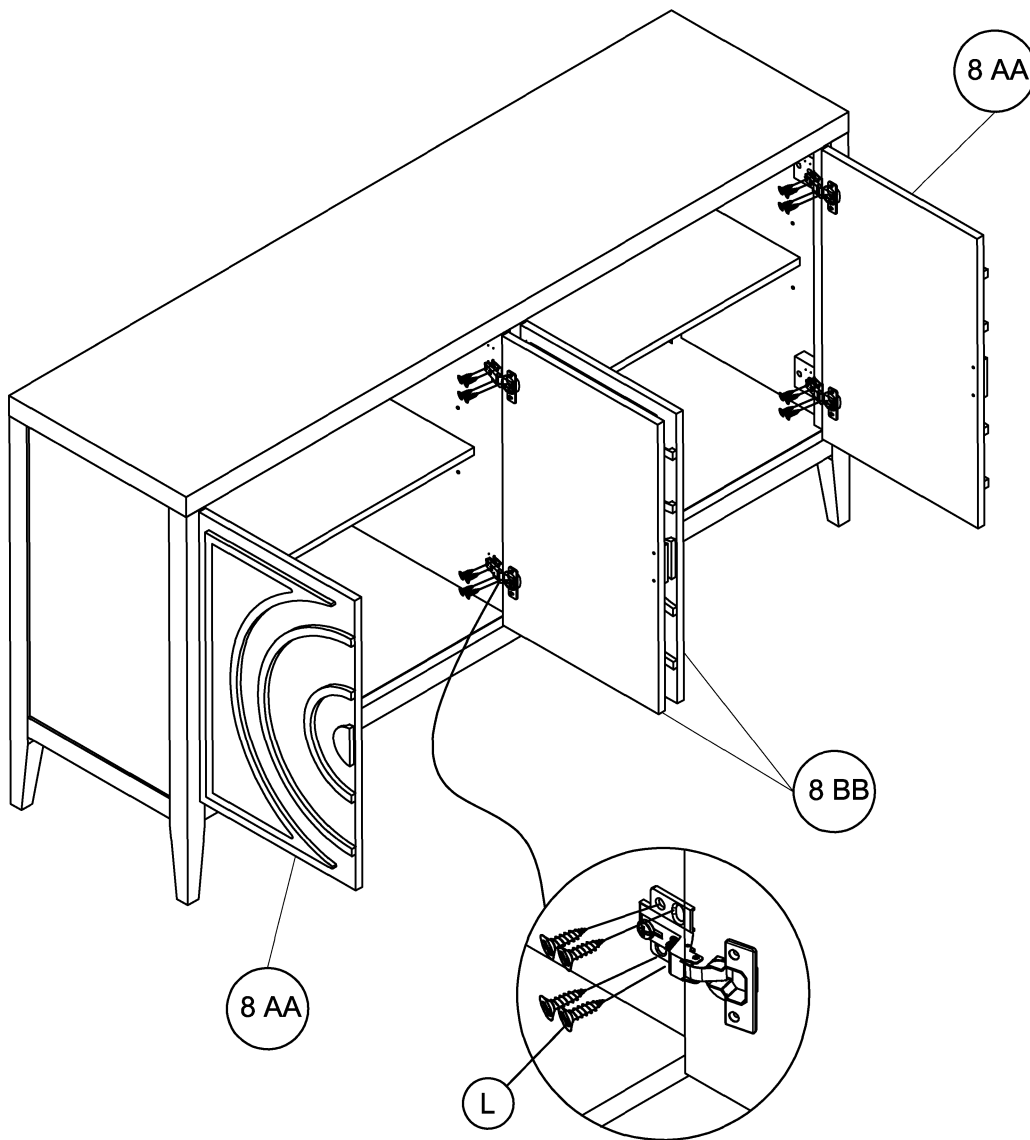
L

x16

Screws

ASSEMBLY INSTRUCTIONS

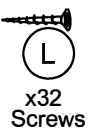
STEP 9



x2
Left door panel



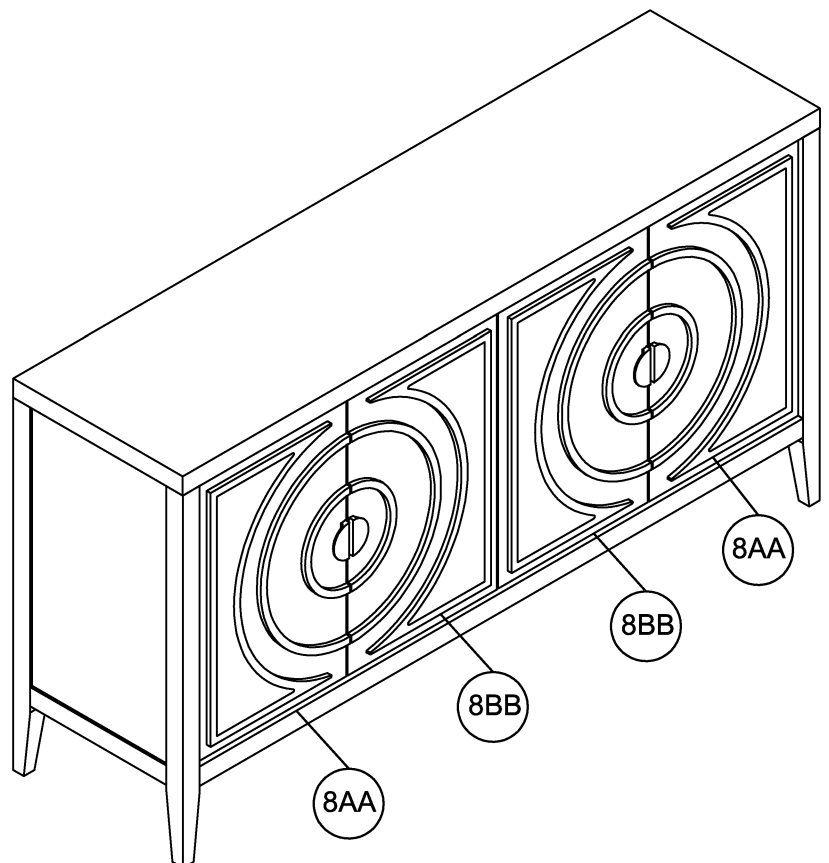
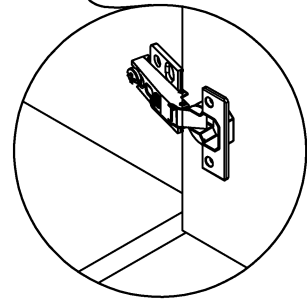
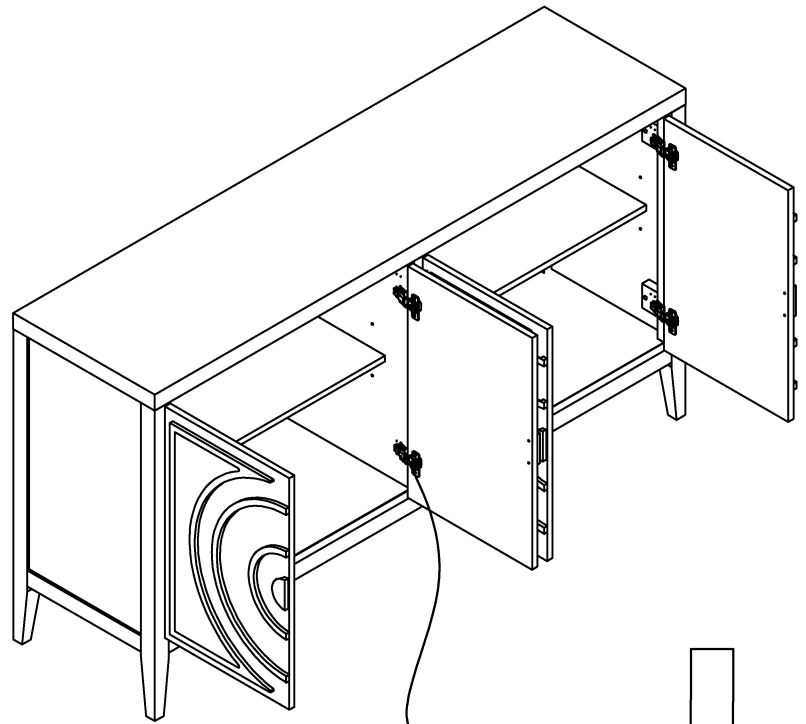
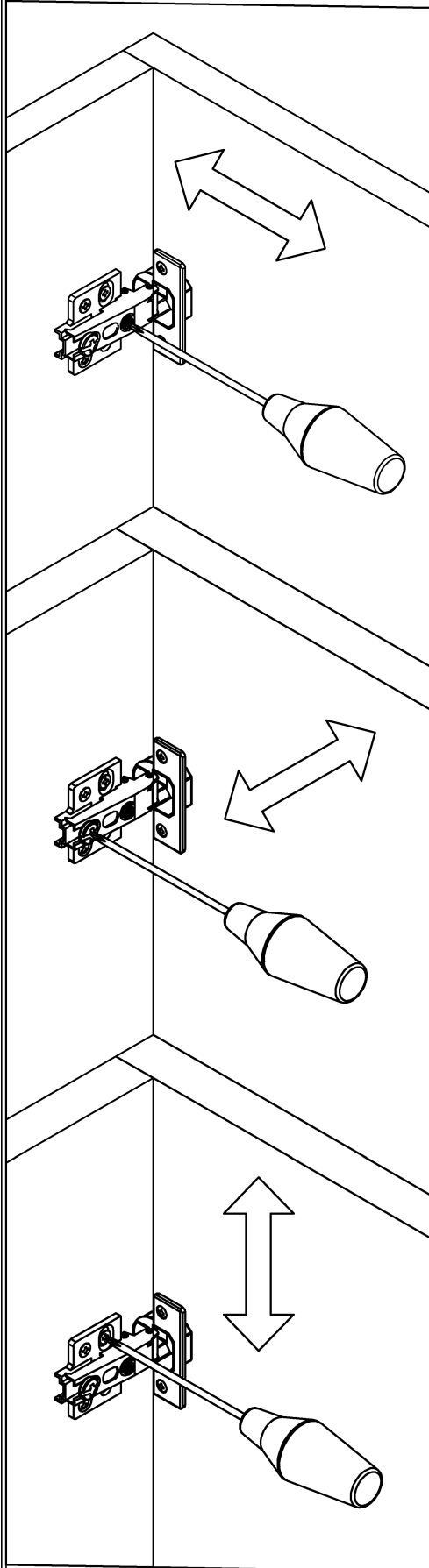
x2
Right door panel



x32
Screws

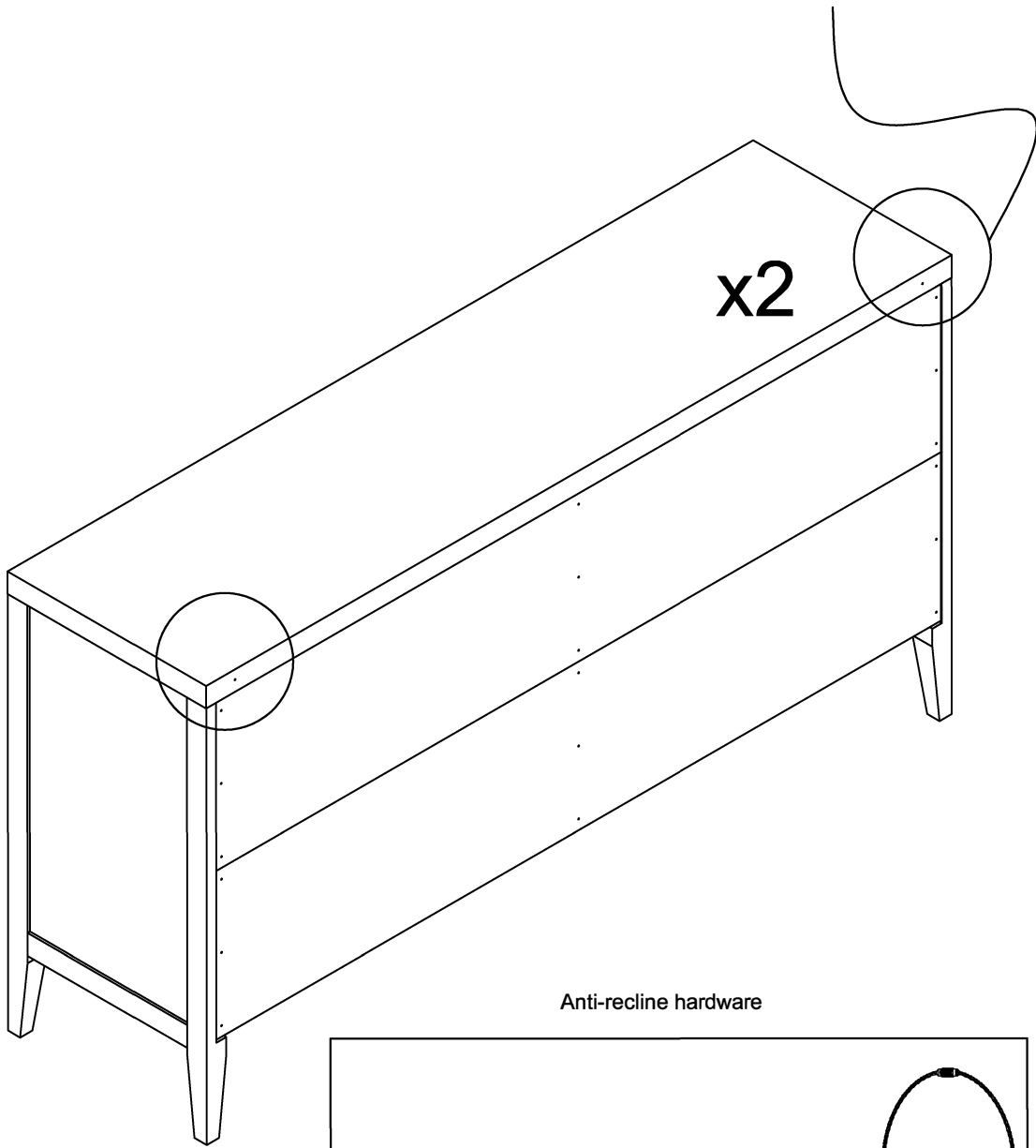
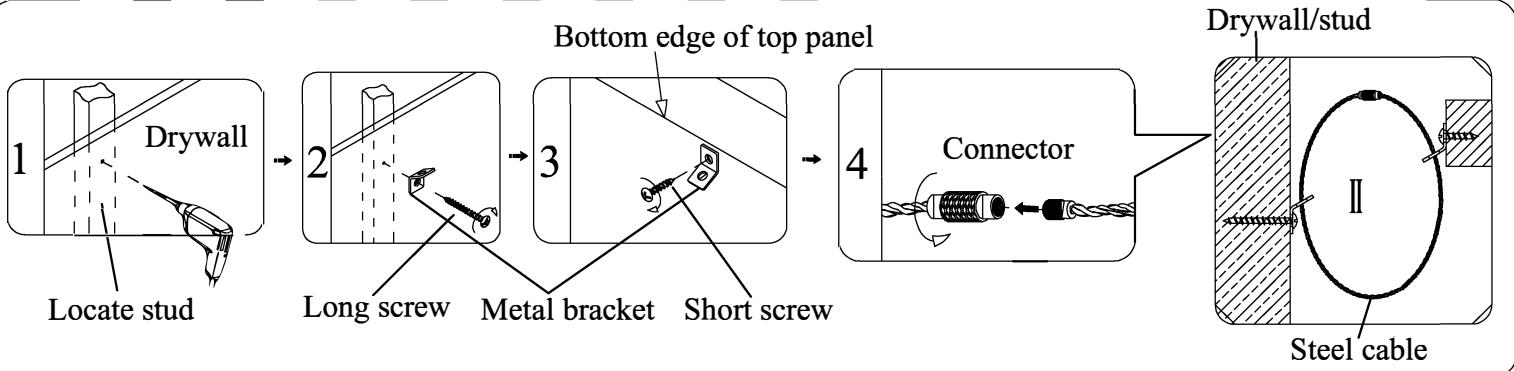
ASSEMBLY INSTRUCTIONS

STEP 10



ASSEMBLY INSTRUCTIONS

STEP 11



Anti-recline hardware

