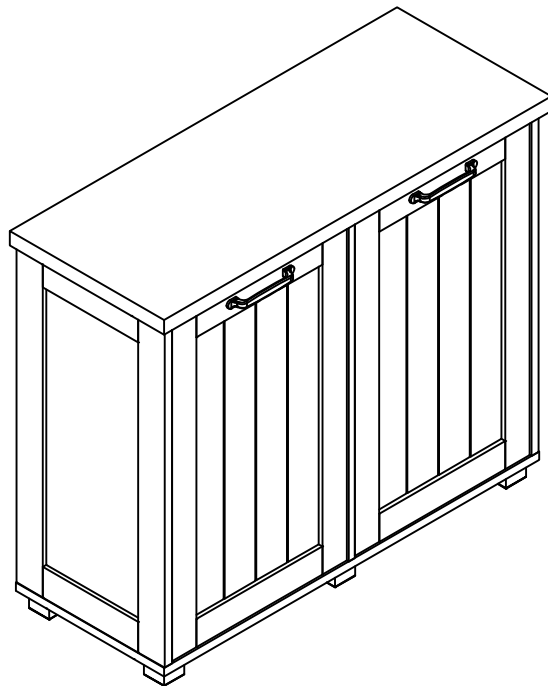


# Two Door Waste Cabinet



## General Guidelines

- Please read the following instruction carefully and use the product accordingly.
- Please keep this manual and hand it over when you transfer the product.
- This summary may not include every detail of all variations and considered steps. Please contact us when further information and help are needed.

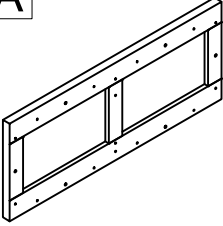
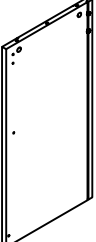
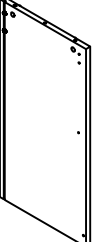


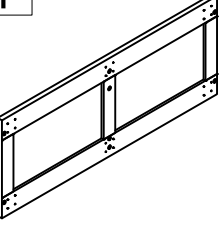
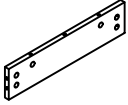
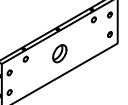
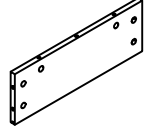
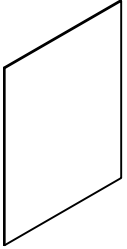
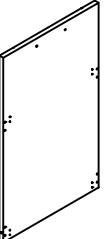
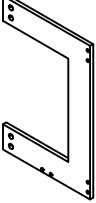
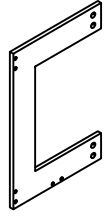
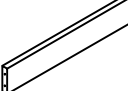
## Notes

- The product is intended for indoor use only. The product must be assembled and used in accordance with the provisions of the manual. Personal injury and/or damage to product may occur if products are used outside of their intended purposes and/or if products have been changed/modified from their original design. The seller does not assume any responsibility or liability with respect to any injury/damage caused by incorrect assembly or improper use.
- Avoid long-term exposure to humid environments to prevent mildew.
- Keep the product away from fire sources and high temperatures. Do not expose the product to direct sunlight.
- Do not place any hot objects on the surface of the product.
- If there are any defective or missing parts after unpacking, please cease assembly immediately and contact us.
- Please assemble the item on a spacious surface and do not place the unwrapped product directly on the ground to avoid product damage.
- Please do not stand or sit on the wooden boards.
- Please wear gloves during the assembly and/or disassembly process to avoid scratches from any sharp edges.
- Please match the corresponding part and fitting based on the part number in the manual.
- If the part does not match with the fitting, please check the piece as specified in this manual.
- During assembly, first loosely align all screws with the corresponding pre-drilled holes and then tighten the screws one by one.
- Periodically inspect screw tightness while the product is in use. If necessary, retighten to ensure structural integrity.
- If you accidentally spill water or another liquid on the surface, immediately wipe clean with a dry towel.
- Please keep the product away from sharp, pointed objects and corrosive substances to prevent product damage.
- Please place this item on level, solid ground during use.

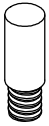





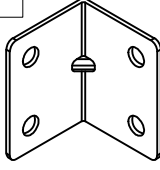

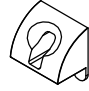

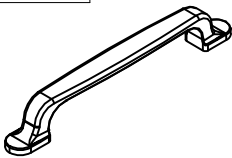
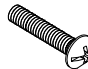
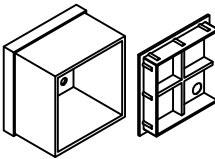

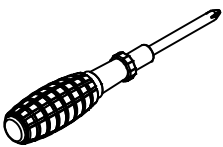
## Warnings

- During assembly, keep all small parts out of the reach of children. It may be fatal if swallowed or inhaled.
- Children should not climb or play on the product in order to avoid tipping over the furniture and causing serious injury.
- To avoid the potential dangers of suffocation, please keep all parts and packaging (film, plastic bags, foam, etc.) away from babies and children.
- Keep sharp objects and corrosive items away from the product to avoid any damage or injury.
- Do not shake or move violently during use to avoid tipping over the product.

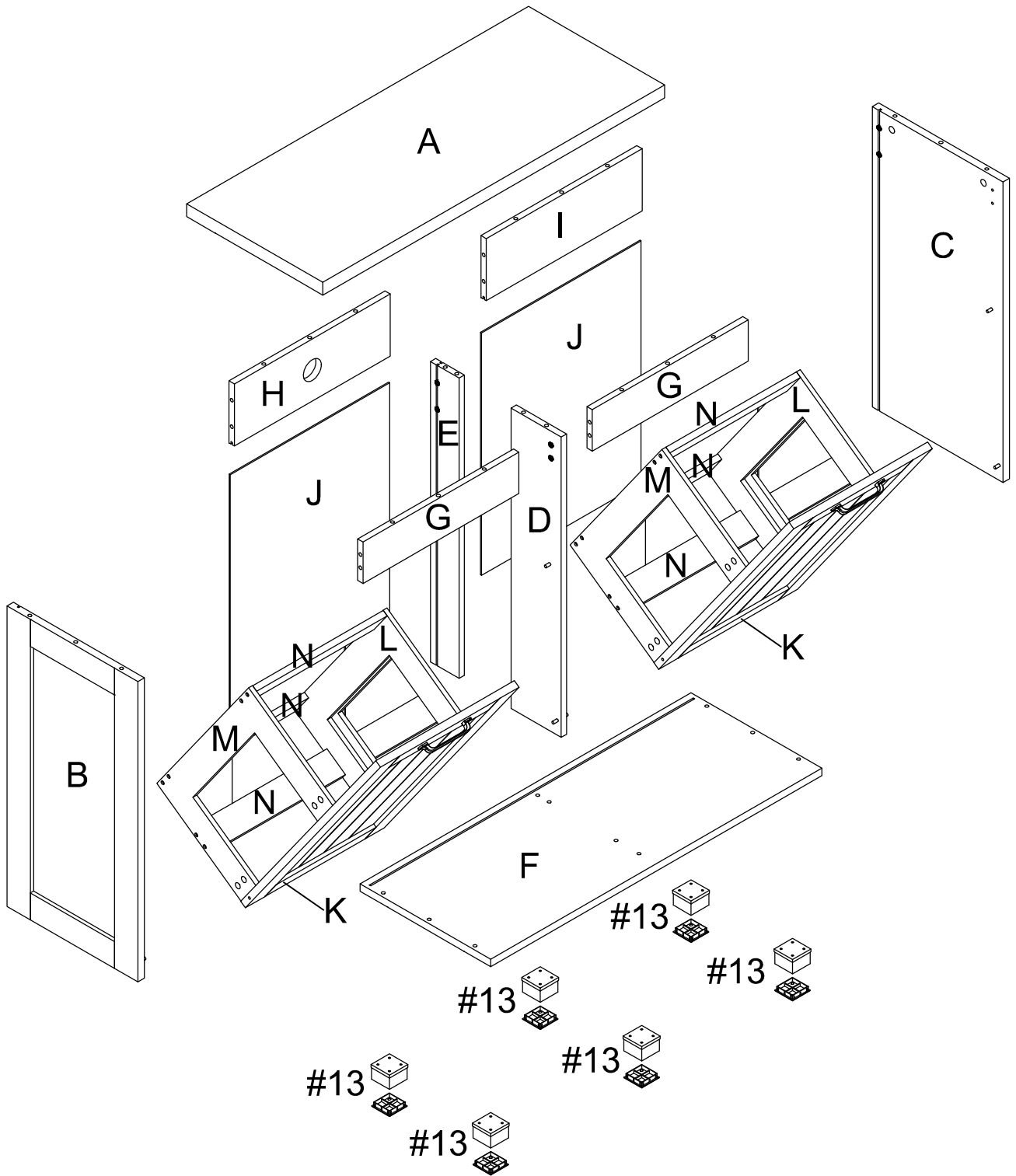
# PART LIST

				
<p>Top Panel 1 PC</p>	<p>Left Panel 1 PC</p>	<p>Right Panel 1 PC</p>	<p>Front Partition Panel 1 PC</p>	<p>Rear Partition Panel 1 PC</p>
				
<p>Bottom Panel 1 PC</p>	<p>Front Upper Rail 2 PCS</p>	<p>Back Upper Rail-L 1 PC</p>	<p>Back Upper Rail-R 1 PC</p>	<p>Back Panel 2 PCS</p>
				
<p>Wooden Box Door 2 PCS</p>	<p>Wooden Box Left Panel 2 PCS</p>	<p>Wooden Box Right Panel 2 PCS</p>	<p>Wooden Box Rail 6 PCS</p>	

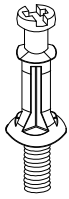
# HARDWARE LIST

<p><b>#1</b></p>  <p>M5*18mm</p> <p>Round Screw</p> <p>8 PCS (Extra 2)</p>	<p><b>#2</b></p>  <p>Ø8*30mm</p> <p>Wood Dowel</p> <p>8PCS (Extra 2)</p>	<p><b>#3</b></p>  <p>Ø3.5*35mm</p> <p>Screw</p> <p>24PCS (Extra 3)</p>	<p><b>#4</b></p>  <p>Ø6*35mm</p> <p>Cam-bolt</p> <p>48PCS (Extra 3)</p>	<p><b>#5</b></p>  <p>Ø15*9mm</p> <p>Cam-lock</p> <p>48PCS(Extra 3)</p>
<p><b>#6</b></p>  <p>Ø7*48mm</p> <p>Screw</p> <p>8 PCS (Extra 1)</p>	<p><b>#7</b></p>  <p>24*24*32*1.2mm</p> <p>Angle Iron</p> <p>8 PCS</p>	<p><b>#8</b></p>  <p>Ø3.5*12mm</p> <p>Screw</p> <p>32 PCS (Extra 4)</p>	<p><b>#9</b></p>  <p>Back Bracket</p> <p>10 PCS(Extra 2)</p>	<p><b>#10</b></p>  <p>Ø3.5*15mm</p> <p>Screw</p> <p>34 PCS (Extra 3)</p>
<p><b>#11</b></p>  <p>Handle</p> <p>2 PCS</p>	<p><b>#12</b></p>  <p>M4*22mm</p> <p>Round Head Bolt</p> <p>4 PCS (Extra 1)</p>	<p><b>#13</b></p>  <p>Foot Pad</p> <p>6 PCS</p>	<p><b>#14</b></p>  <p>Safety Strap Kit</p> <p>2 SET</p>	 <p>Phillips Screwdriver</p> <p>1 PC</p>

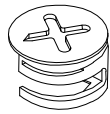
# ASSEMBLY OVERVIEW



# Instructions For Fastening CAM-BOLT and CAM-LOCK

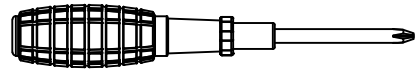


CAM-BOLT

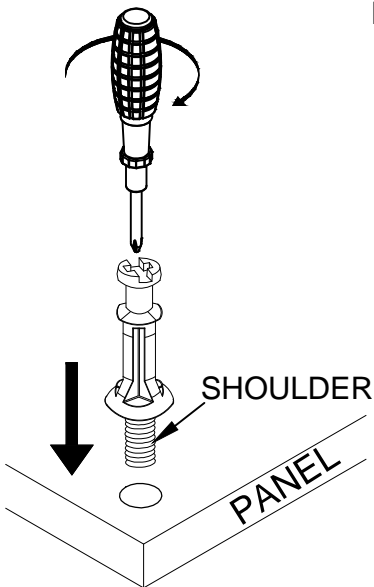


CAM-LOCK

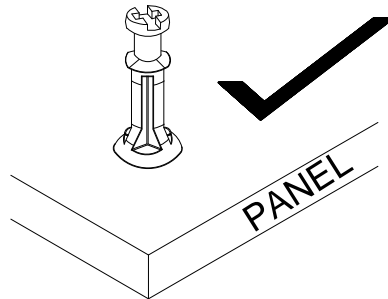
Tools Required



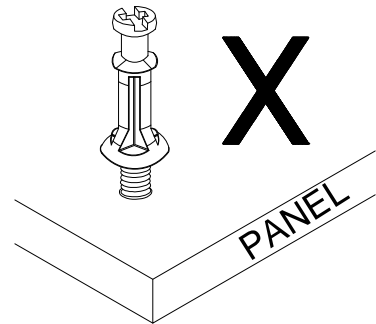
## INSERTING AND TIGHTENING CAM-BOLT



Place Cam-bolt on pre-drilled hole and screw in vertically



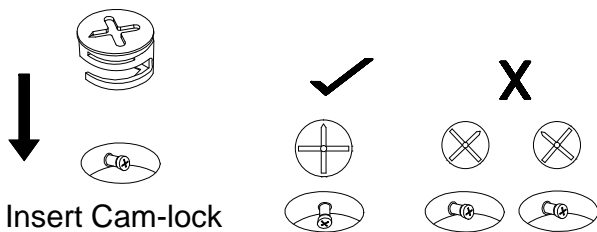
Shoulder is flushed (on the same level) with the panel.



Shoulder is above the panel.

Place Cam-bolt on the designated pre-drilled holes on the panel. Use a Phillips Screwdriver to screw-in Cam-bolt vertically until shoulder is flushed (on the same level) with panel.

## INSERTING CAM-LOCK



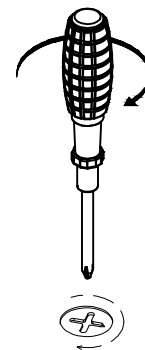
Insert Cam-lock with arrow align to Cam-bolt head

CORRECT

WRONG

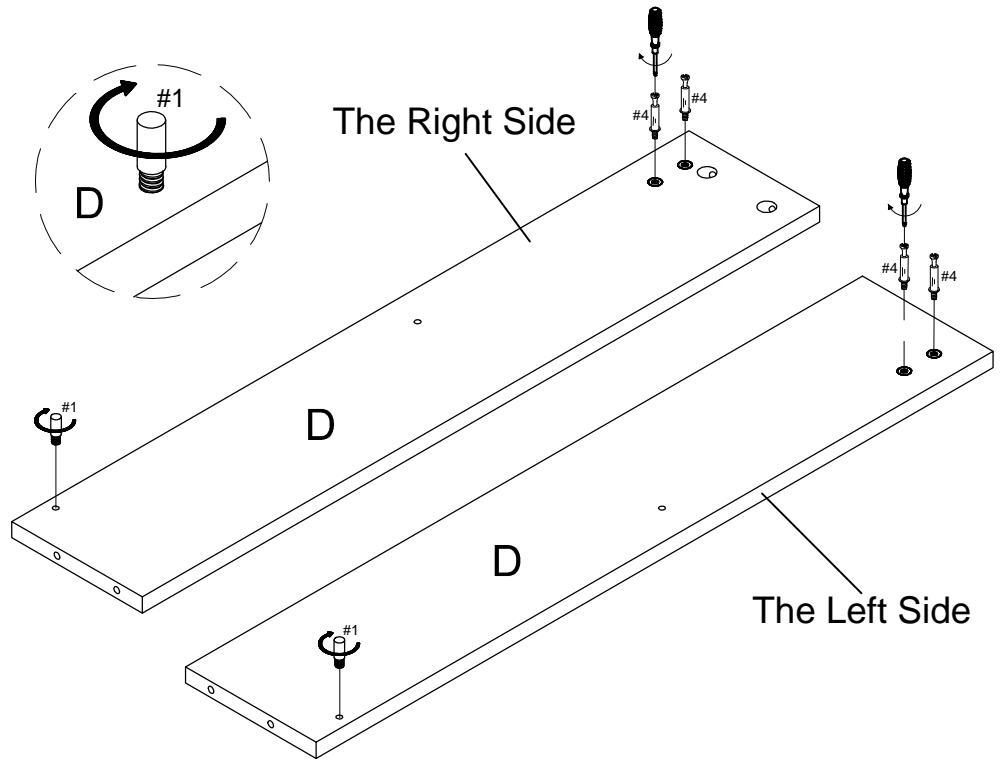
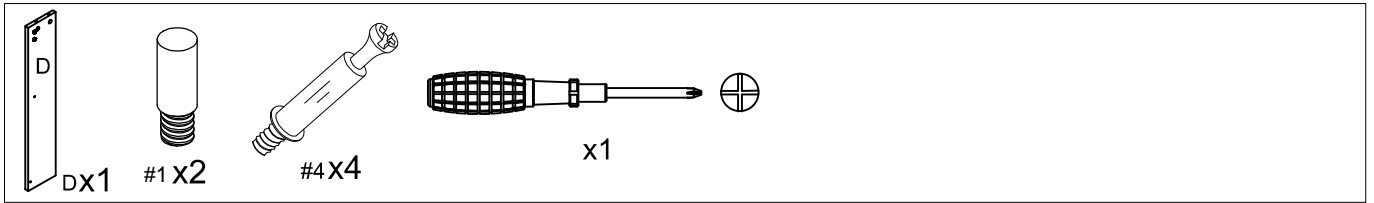
Align the arrow on the Cam-lock to the Cam-bolt head and insert the Cam-lock. Ensure Cam-lock is fully inserted.

## TIGHTENING CAM-LOCK

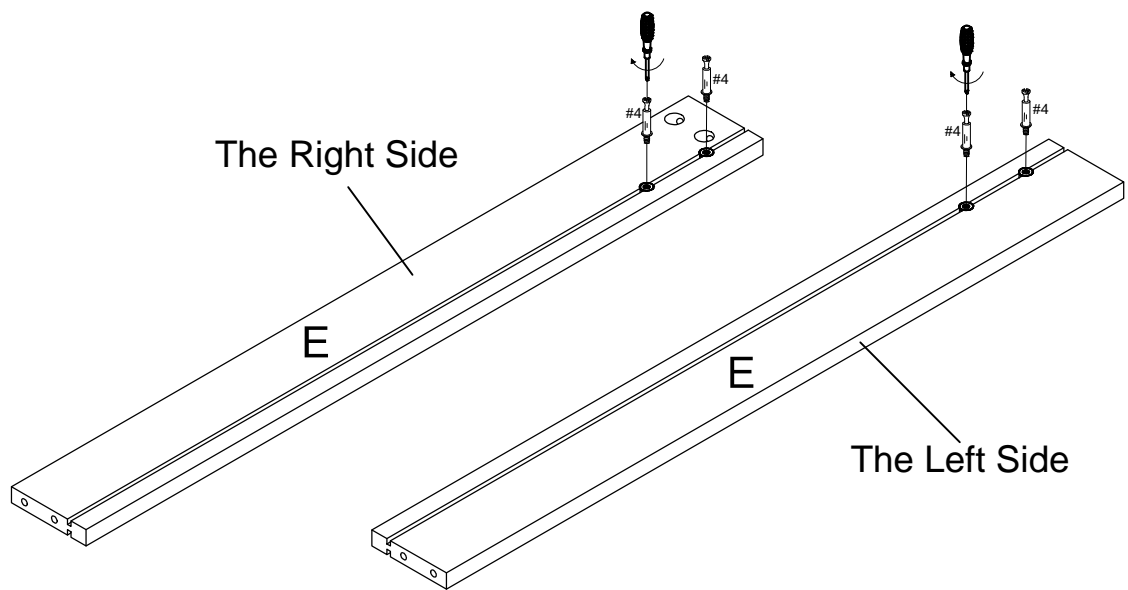
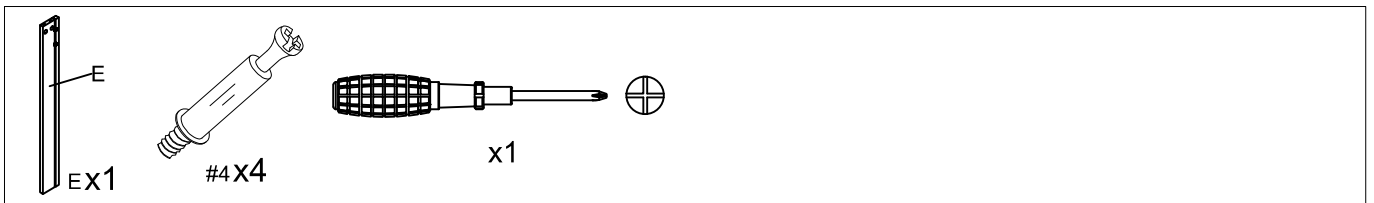


Use a Flat-head Screwdriver to turn Camlock clockwise so it locks onto the head of the Cam-bolt. Turn until it is snug (about 3/4ths of a turn) -- over-tightening could damage Cam-lock or/and Cam-bolt.

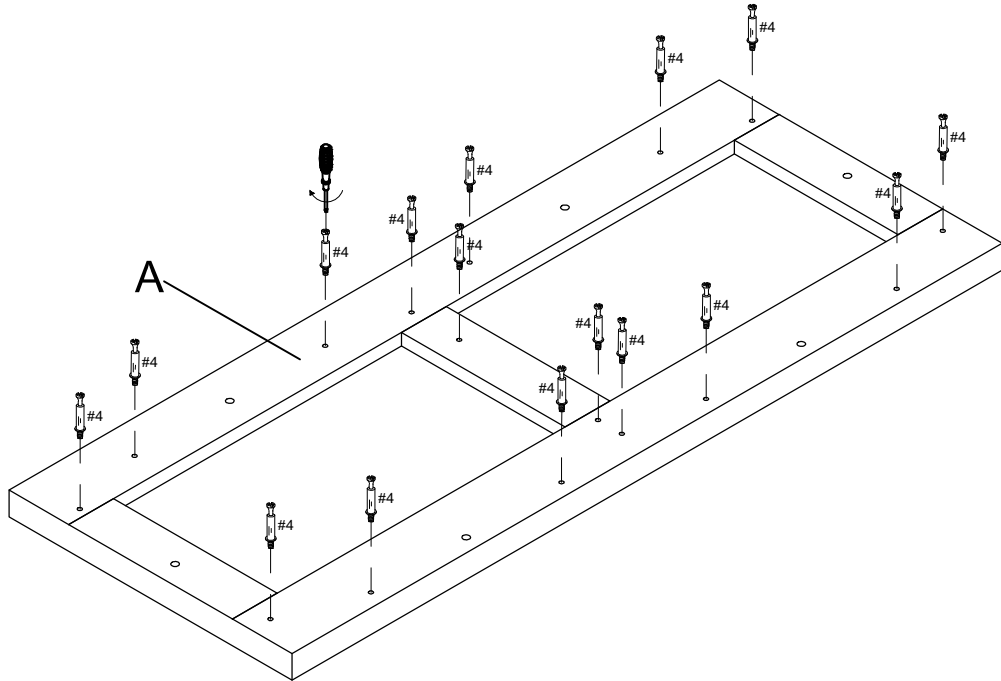
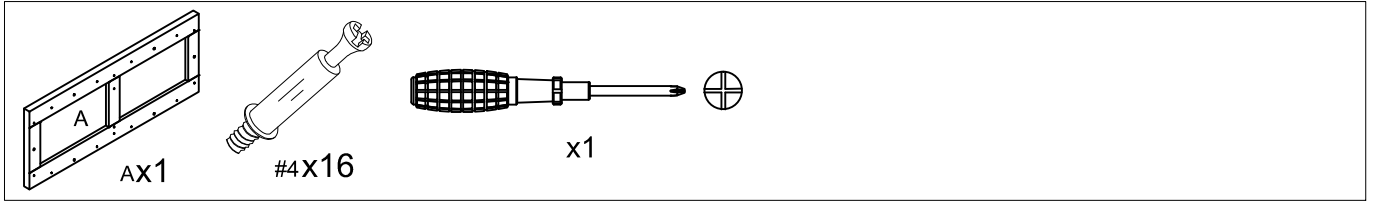
### Step 1.



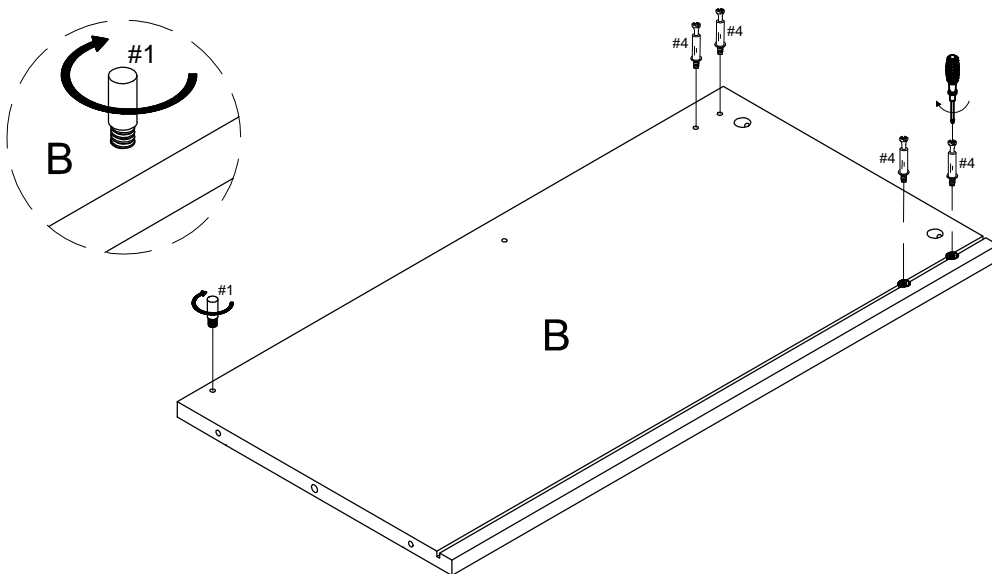
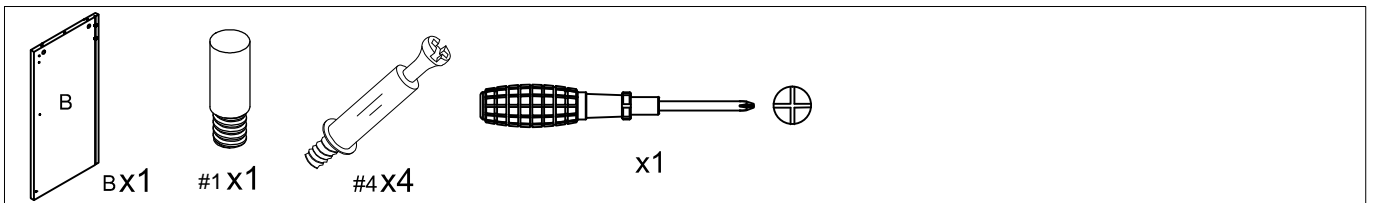
### Step 2.



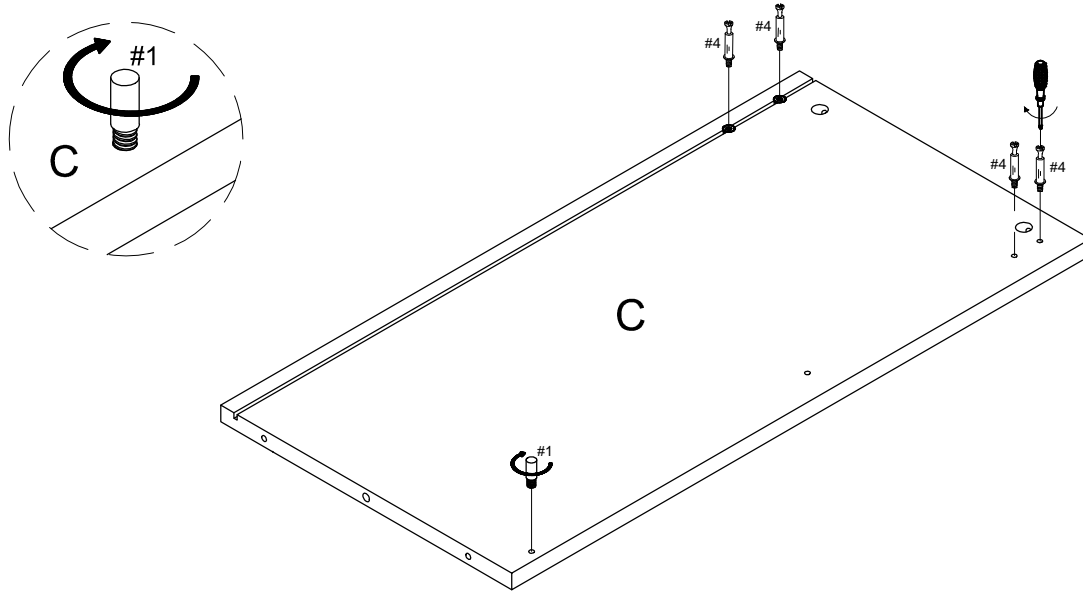
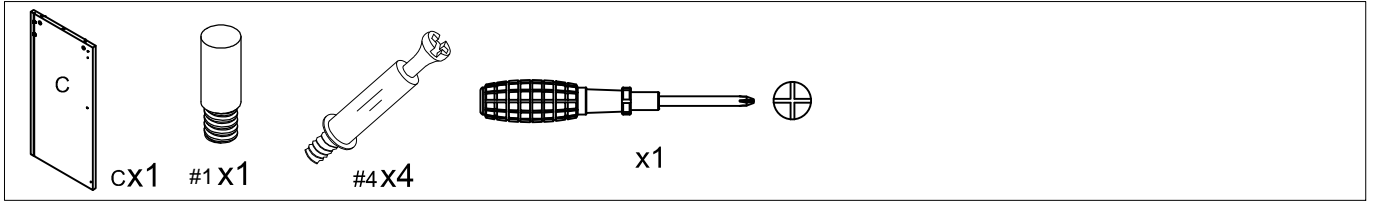
### Step 3.



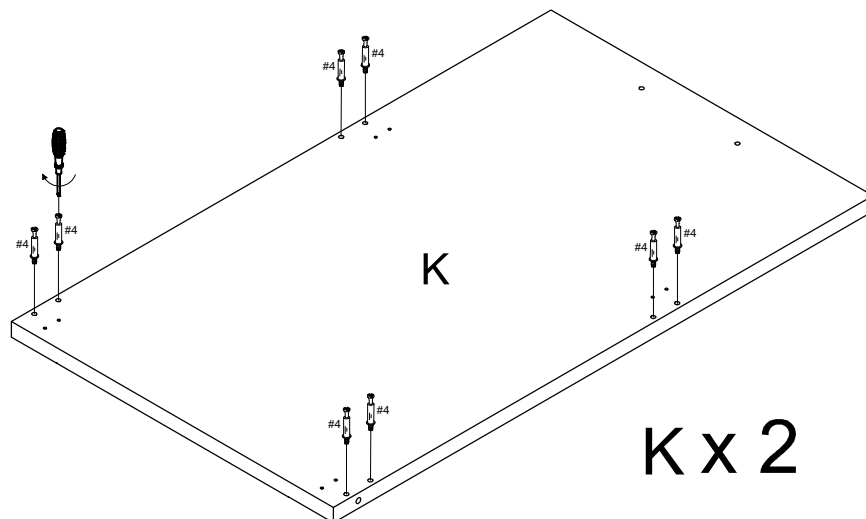
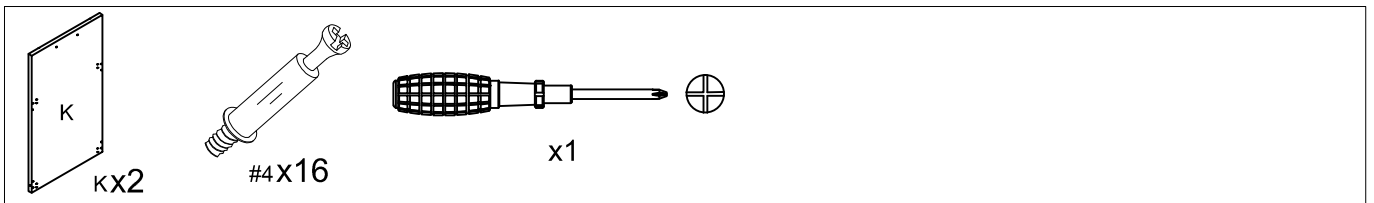
### Step 4.



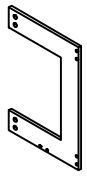
### Step 5



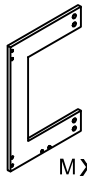
### Step 6.



Step 7.



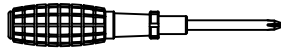
LX2



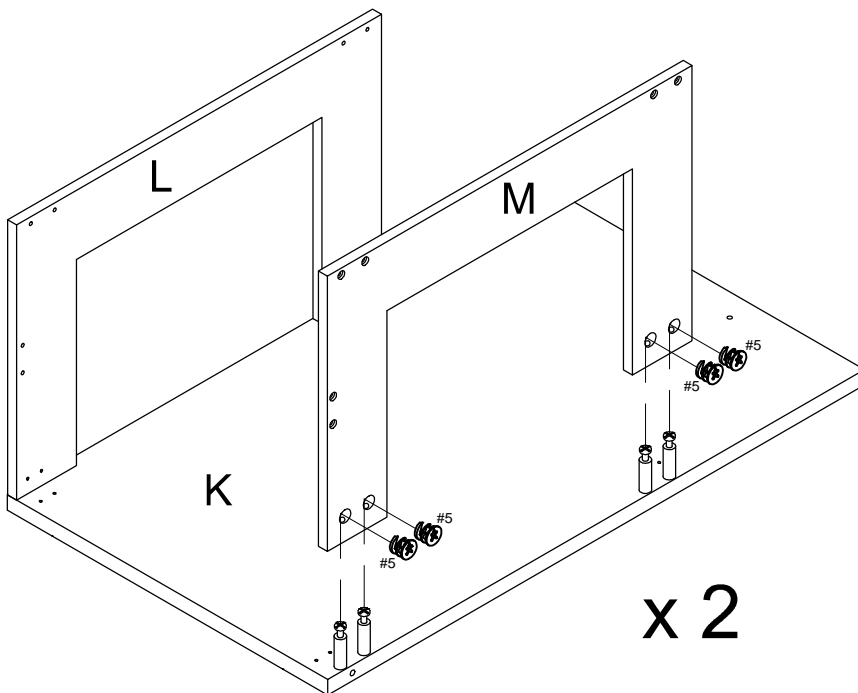
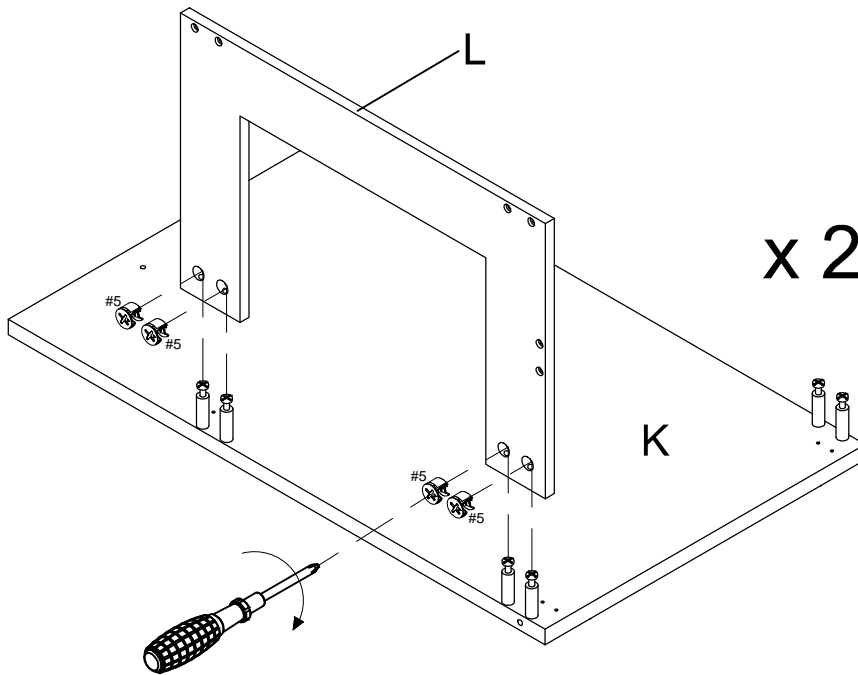
MX2



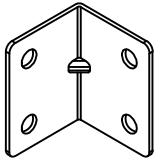
#5X16



x1



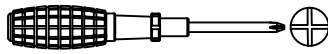
Step 8.



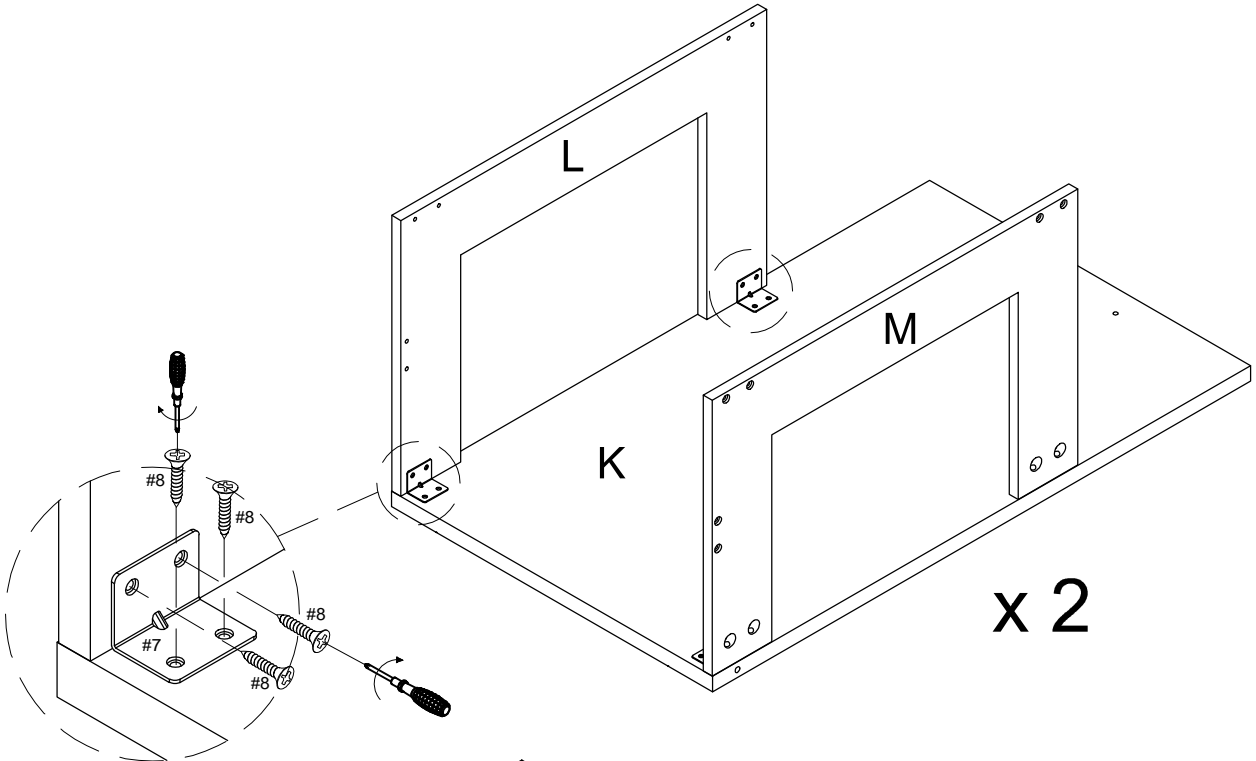
#7x8



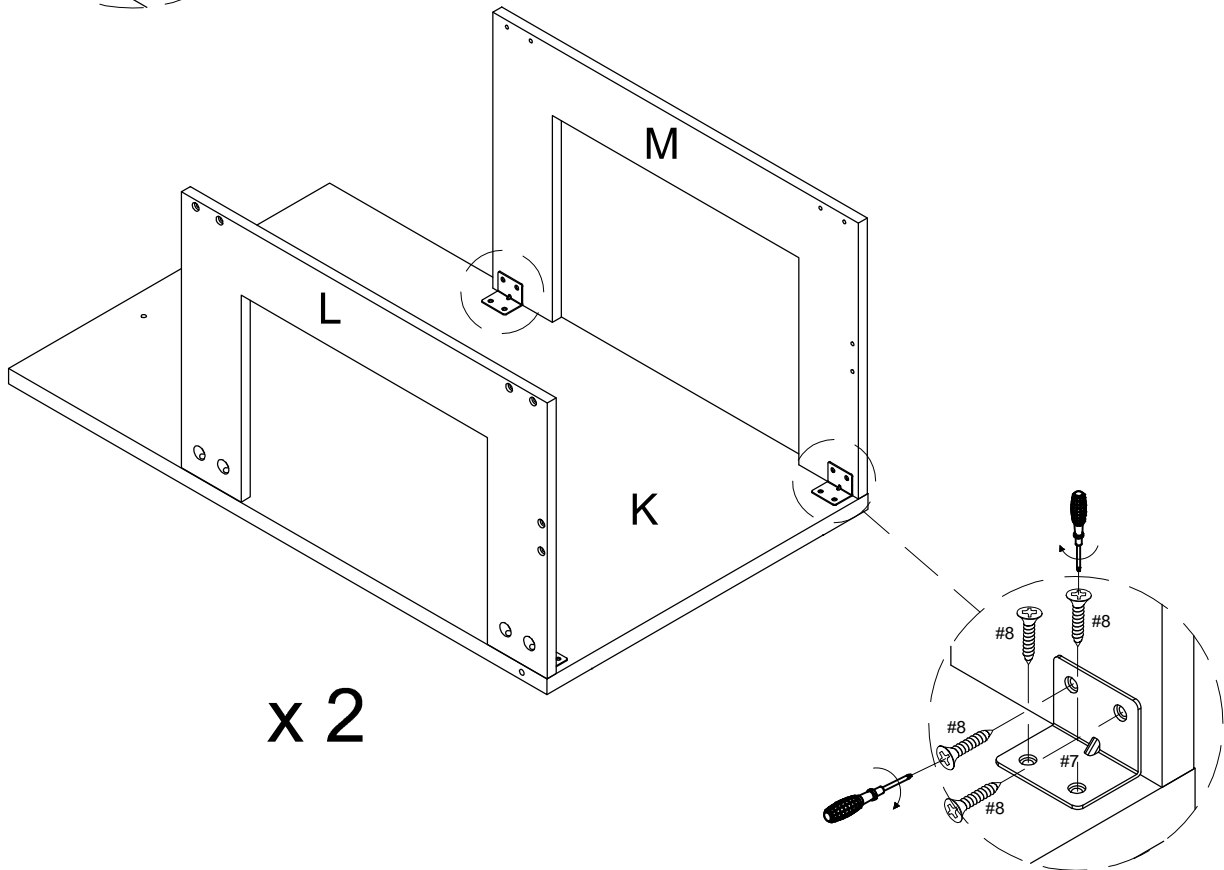
#8 x32



x1

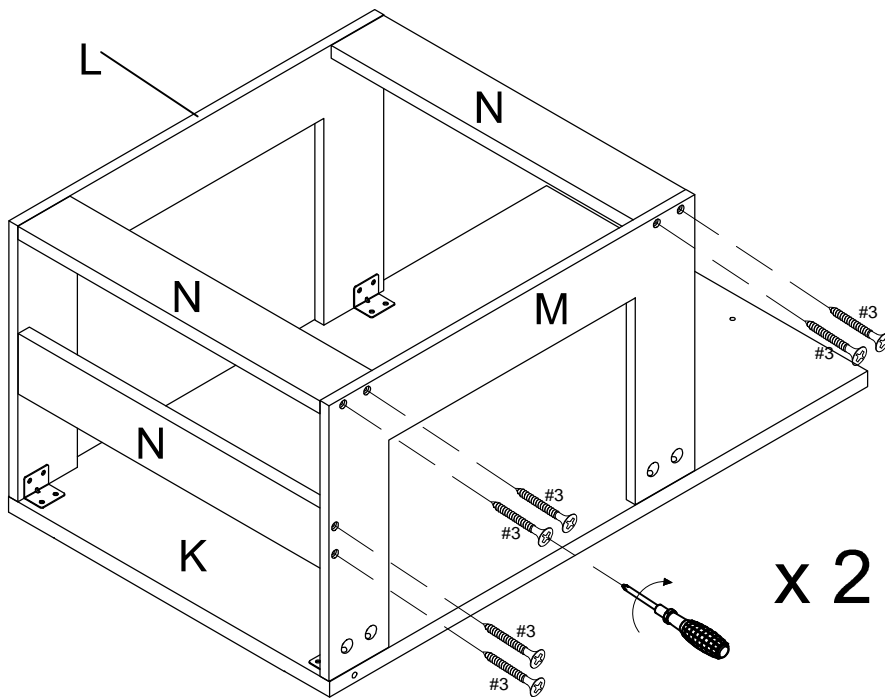
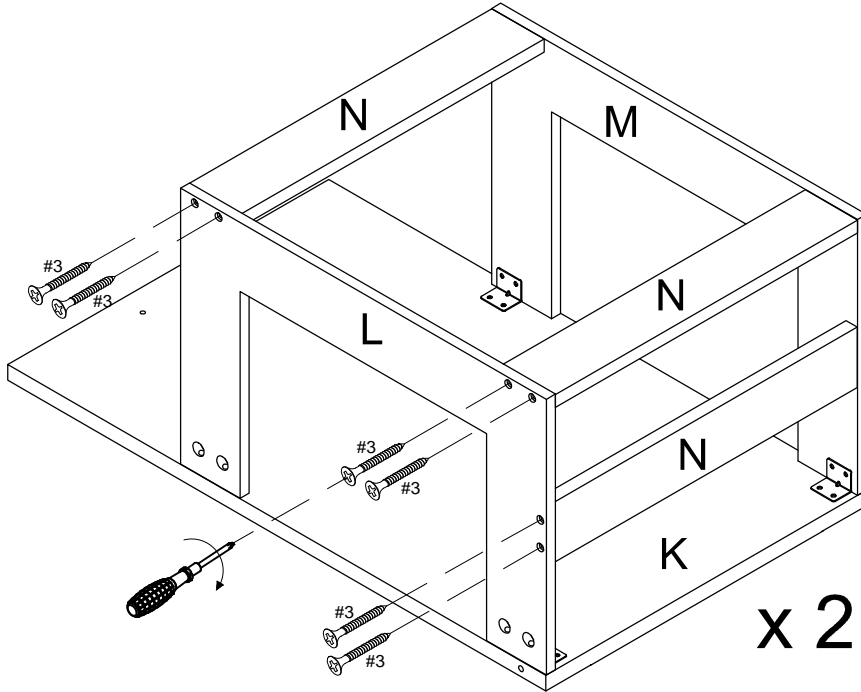
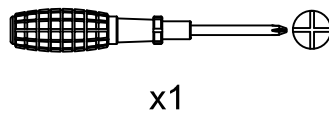
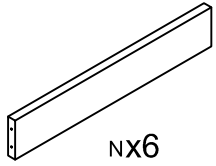


x 2



x 2

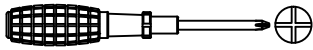
Step 9.



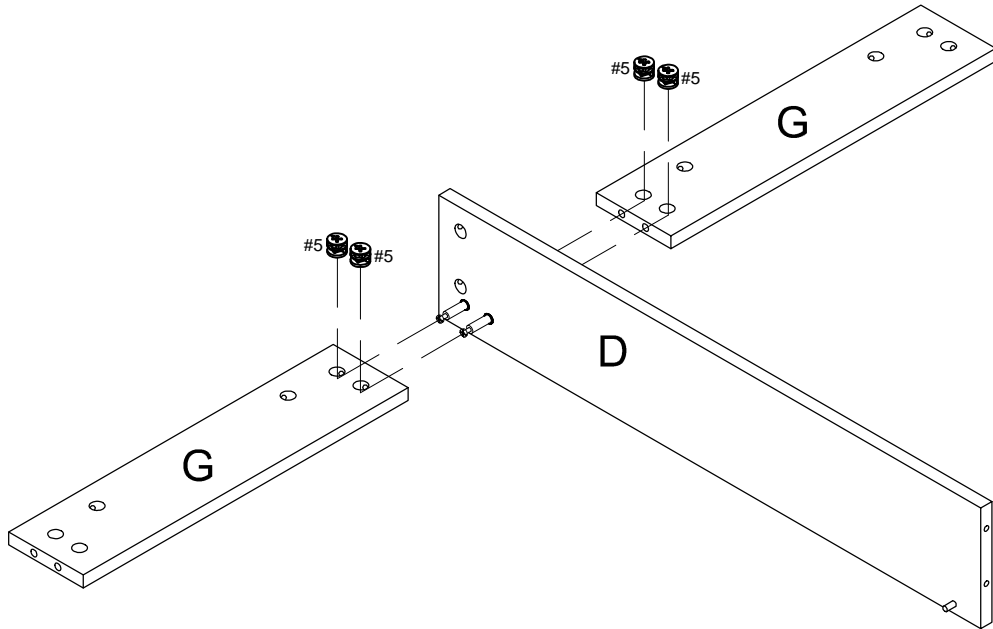
### Step 10.



#5X4



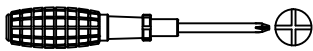
x1



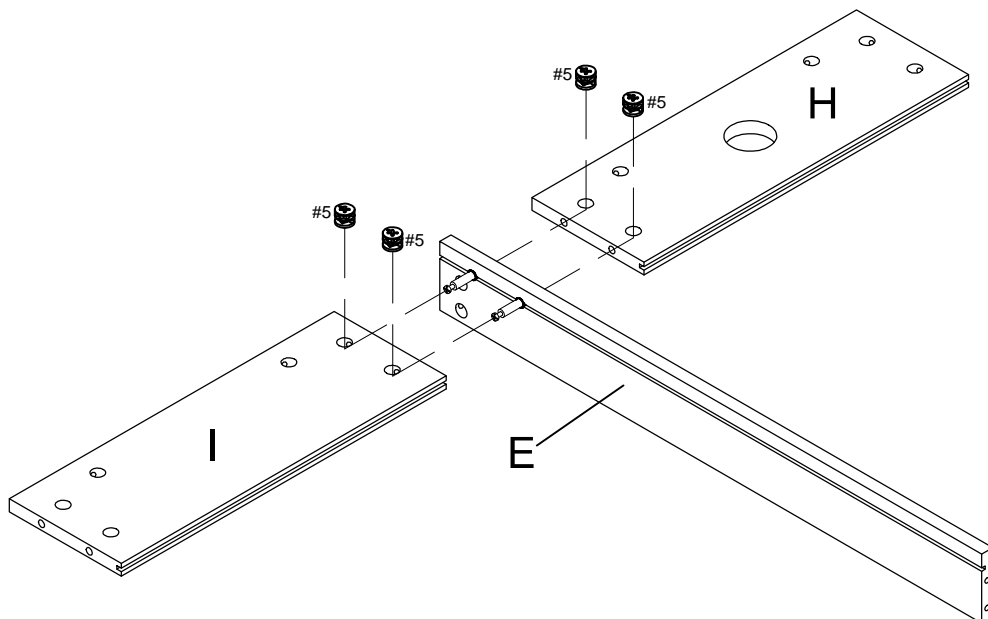
### Step 11.



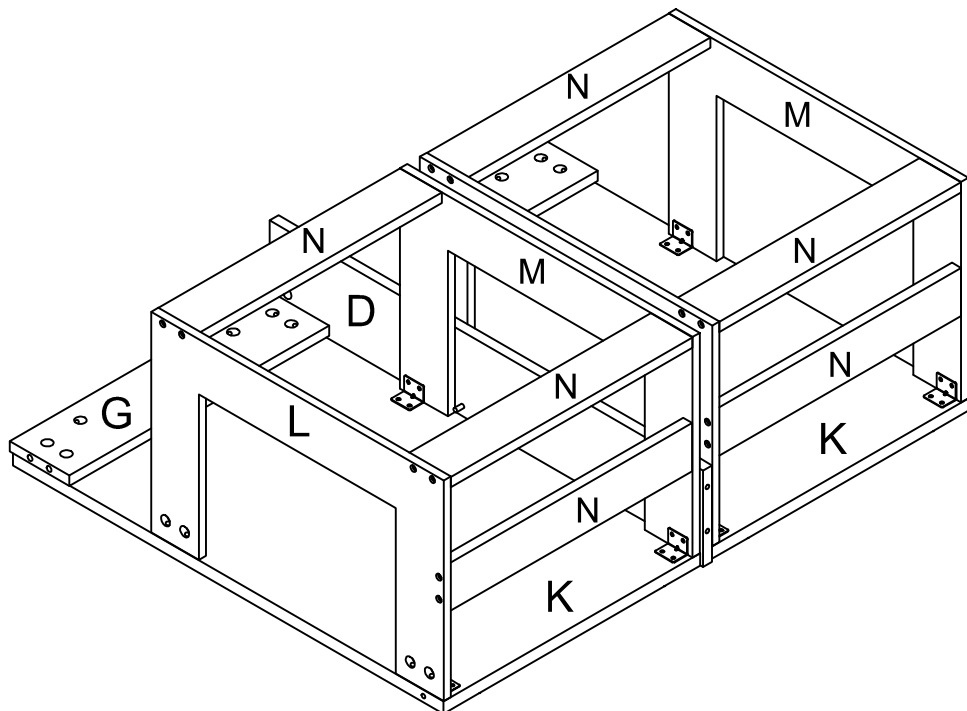
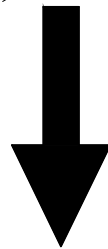
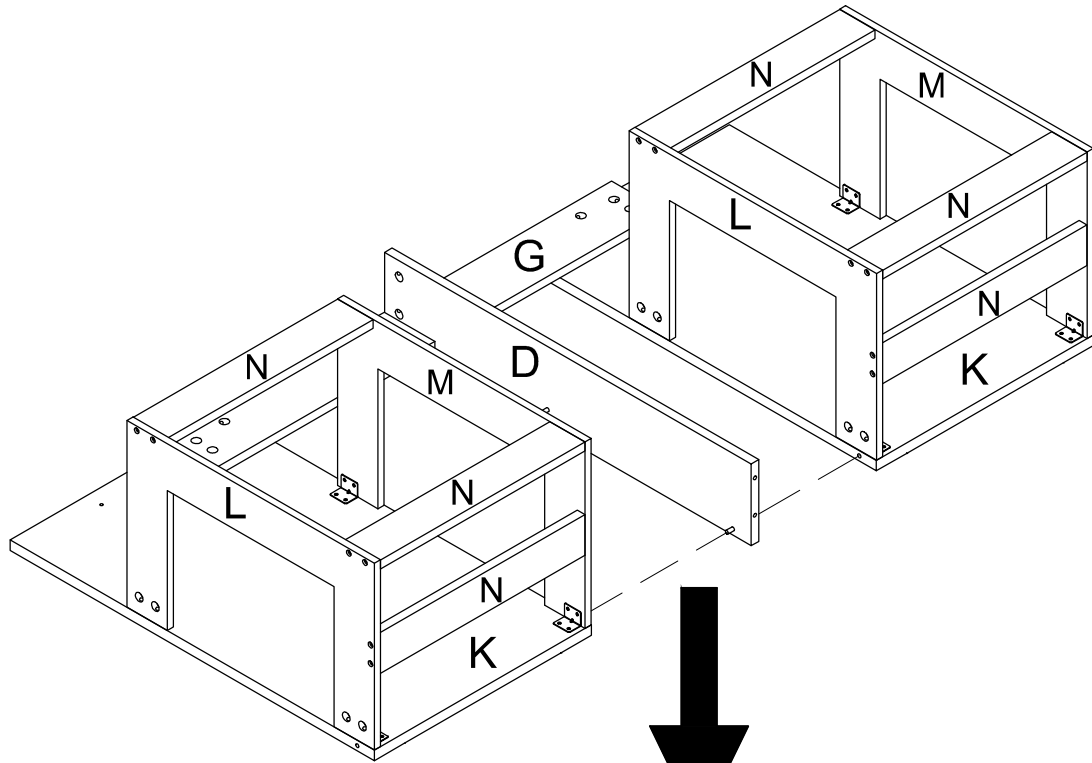
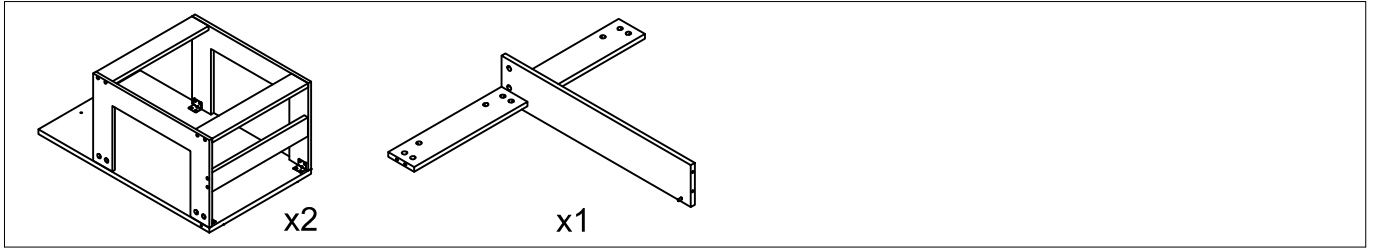
#5X4



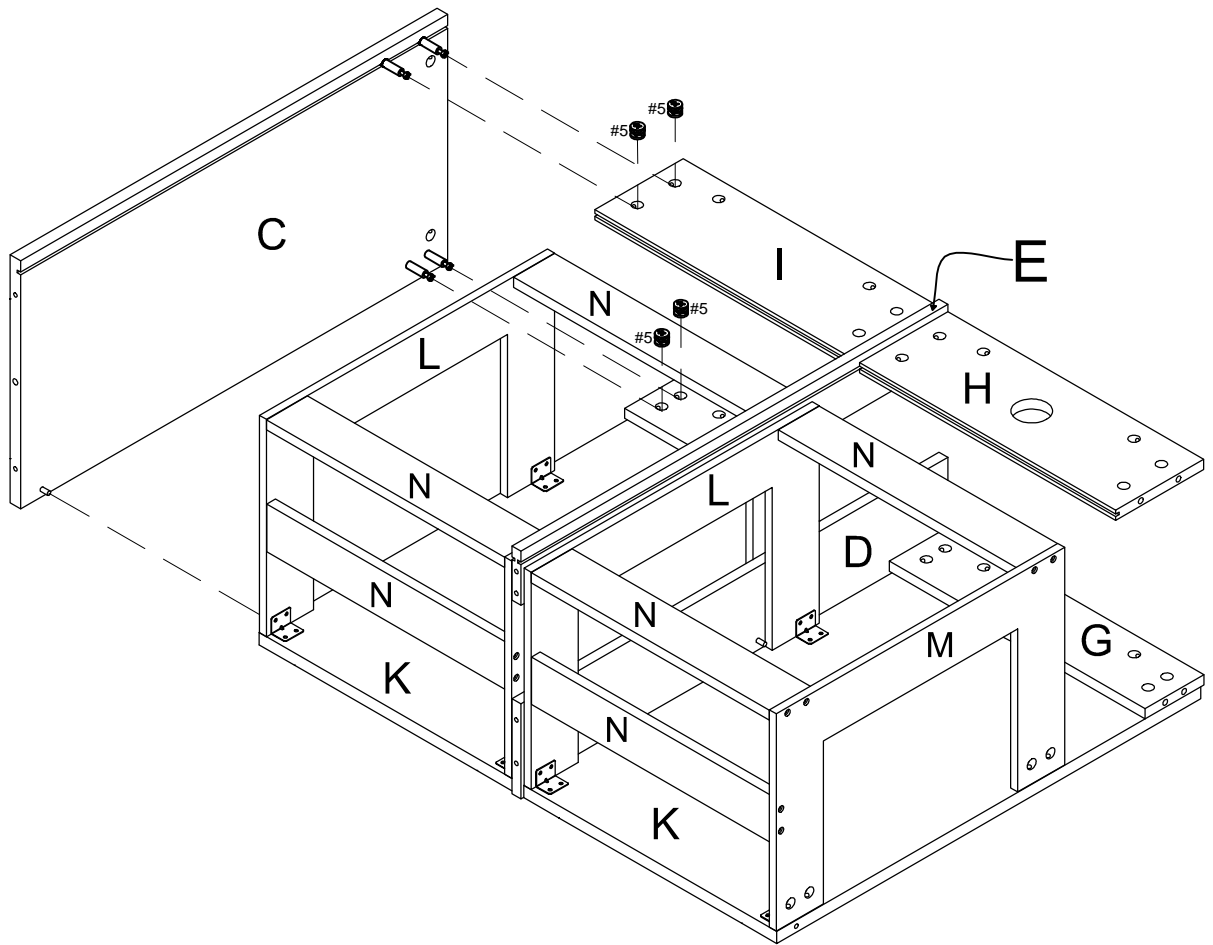
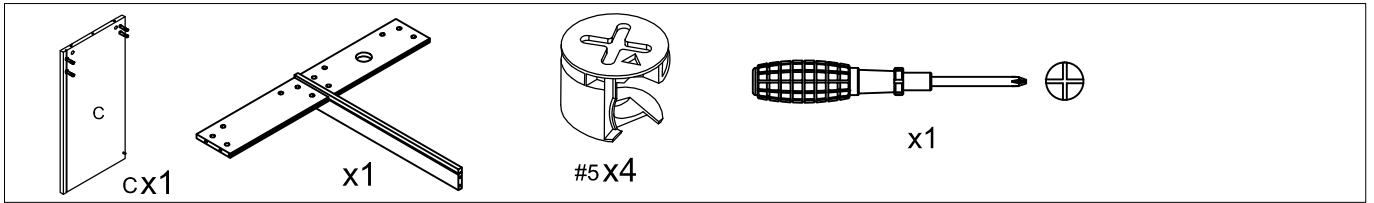
x1



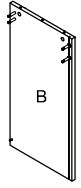
Step 12.



Step 13.



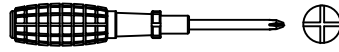
Step 14.



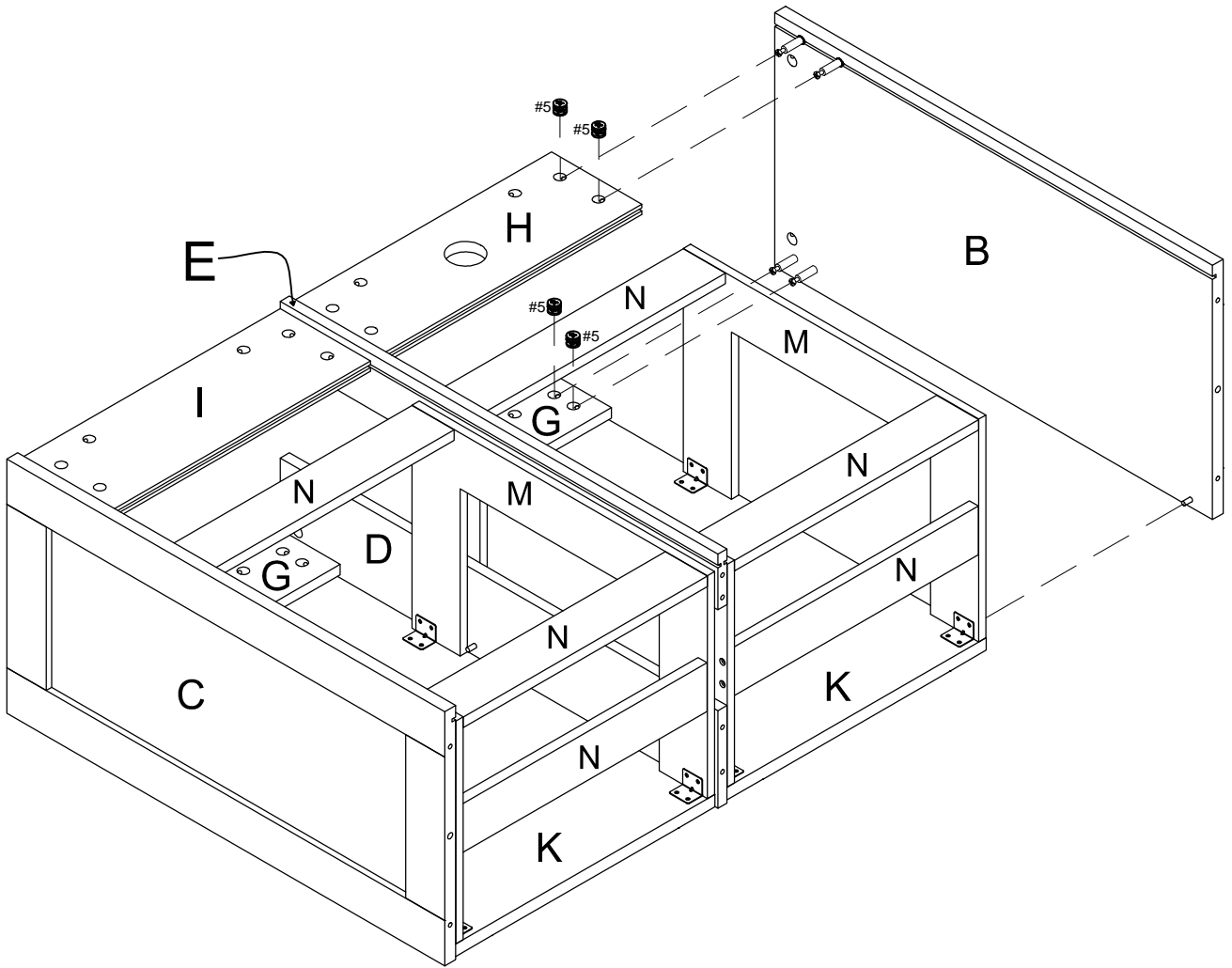
BX1



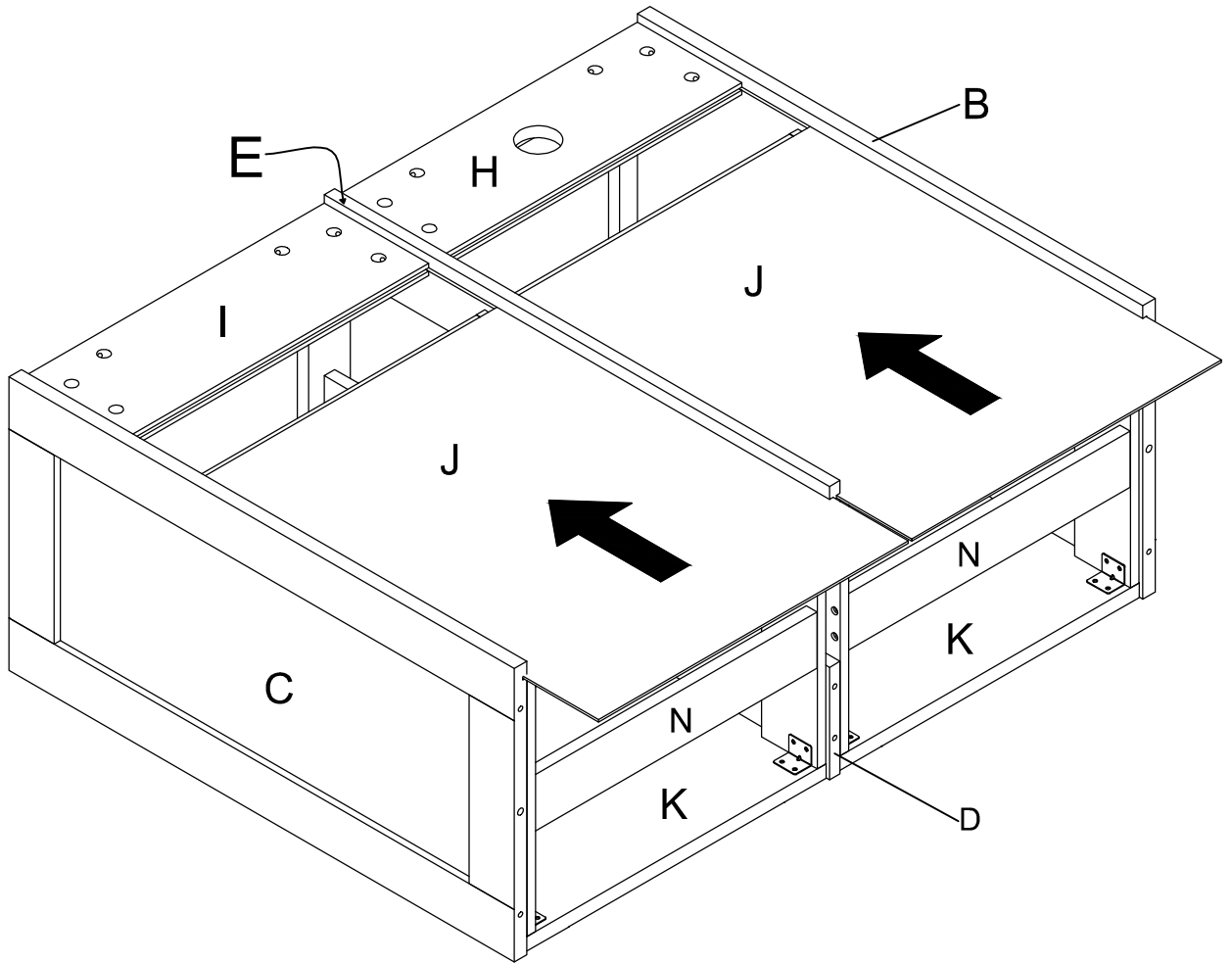
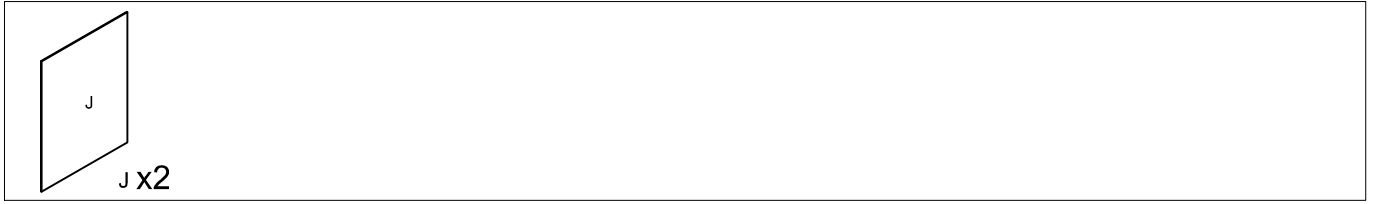
#5X4



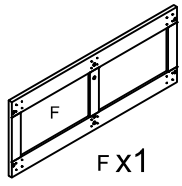
x1



Step 15.



# Step 16.



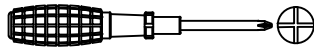
F X1



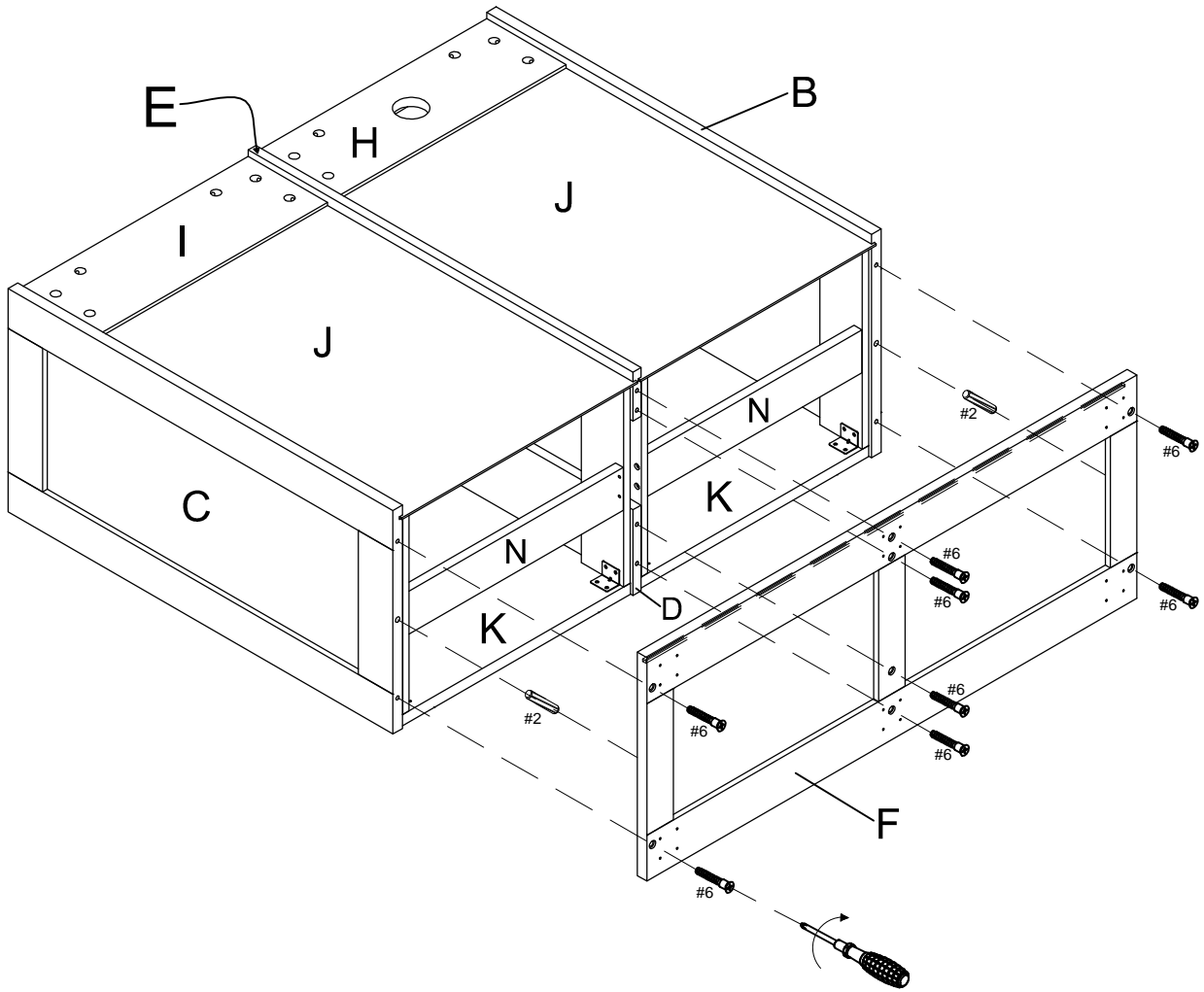
#2 X2



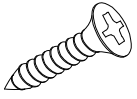
#6 X8



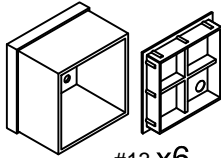
X1



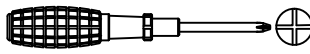
# Step 17.



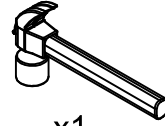
#10 x24



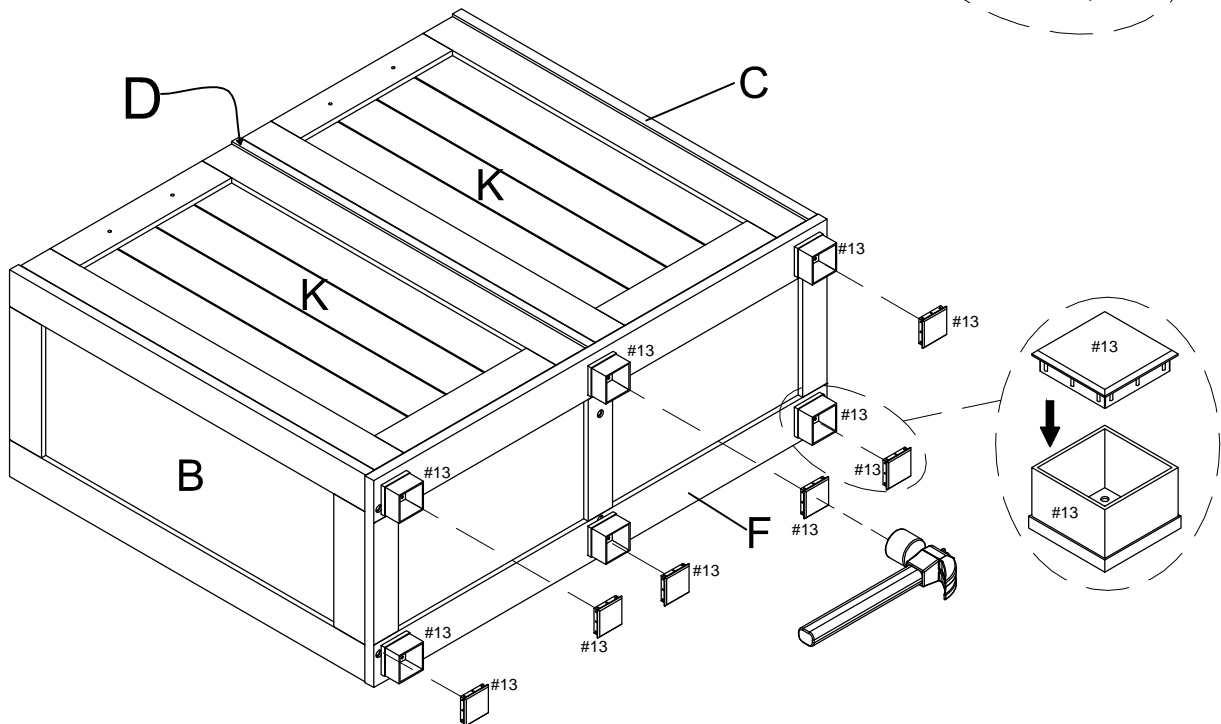
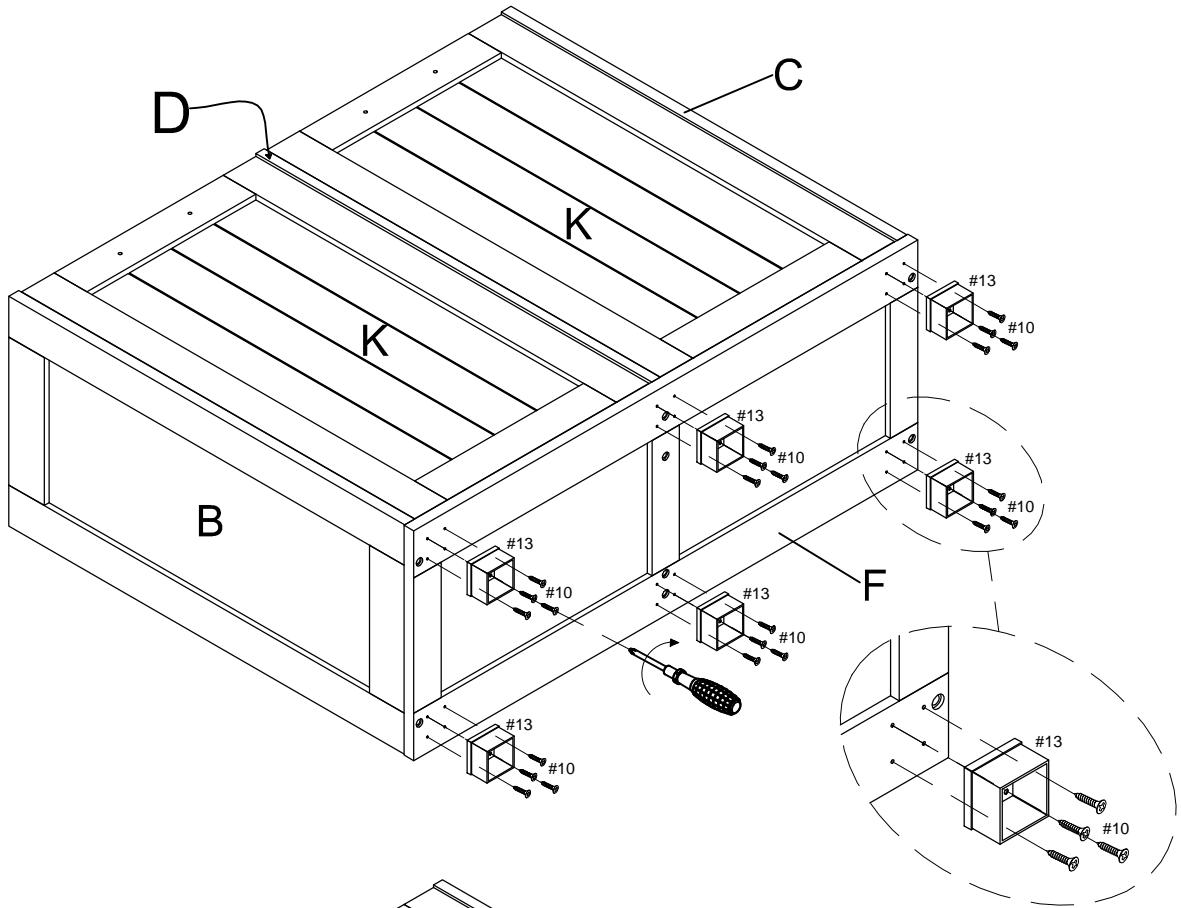
#13 X6



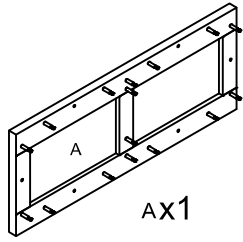
x1



x1



Step 18.



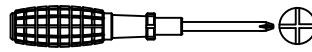
AX1



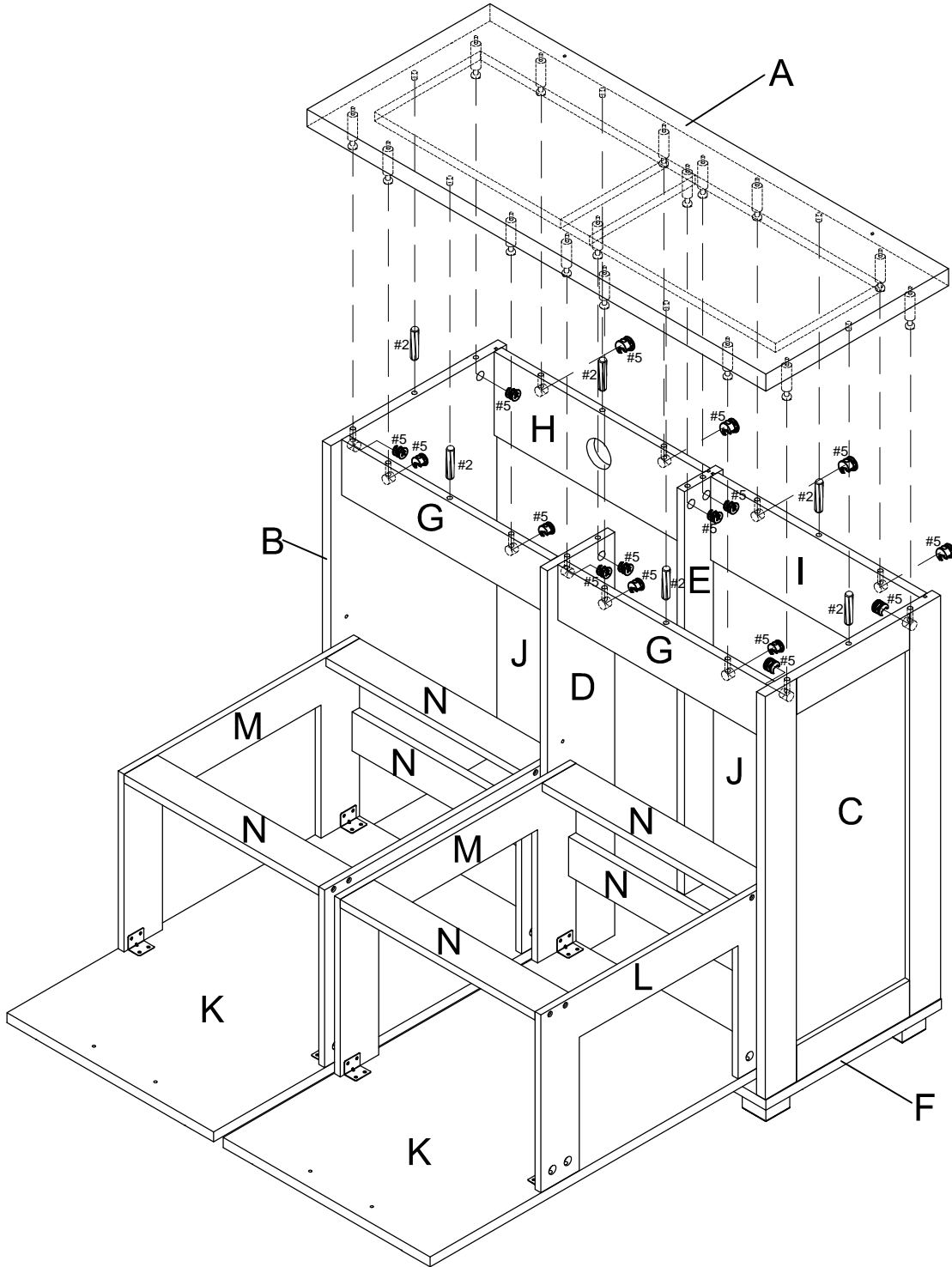
#2x6



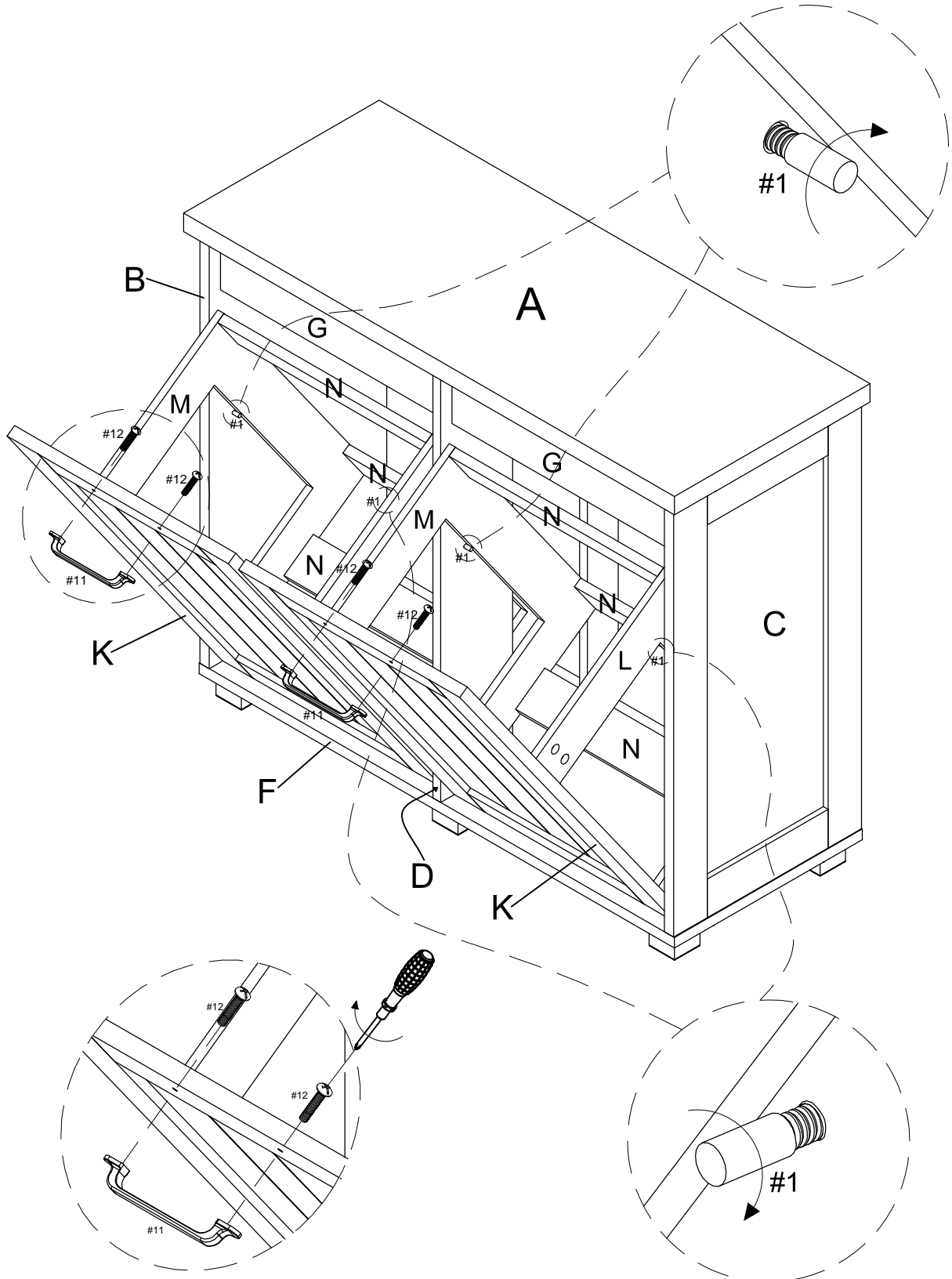
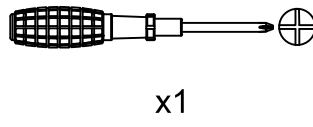
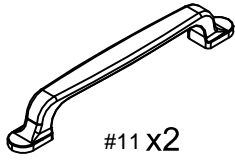
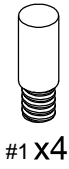
#5x16



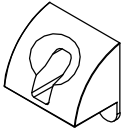
x1



Step 19.



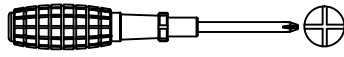
Step 20.



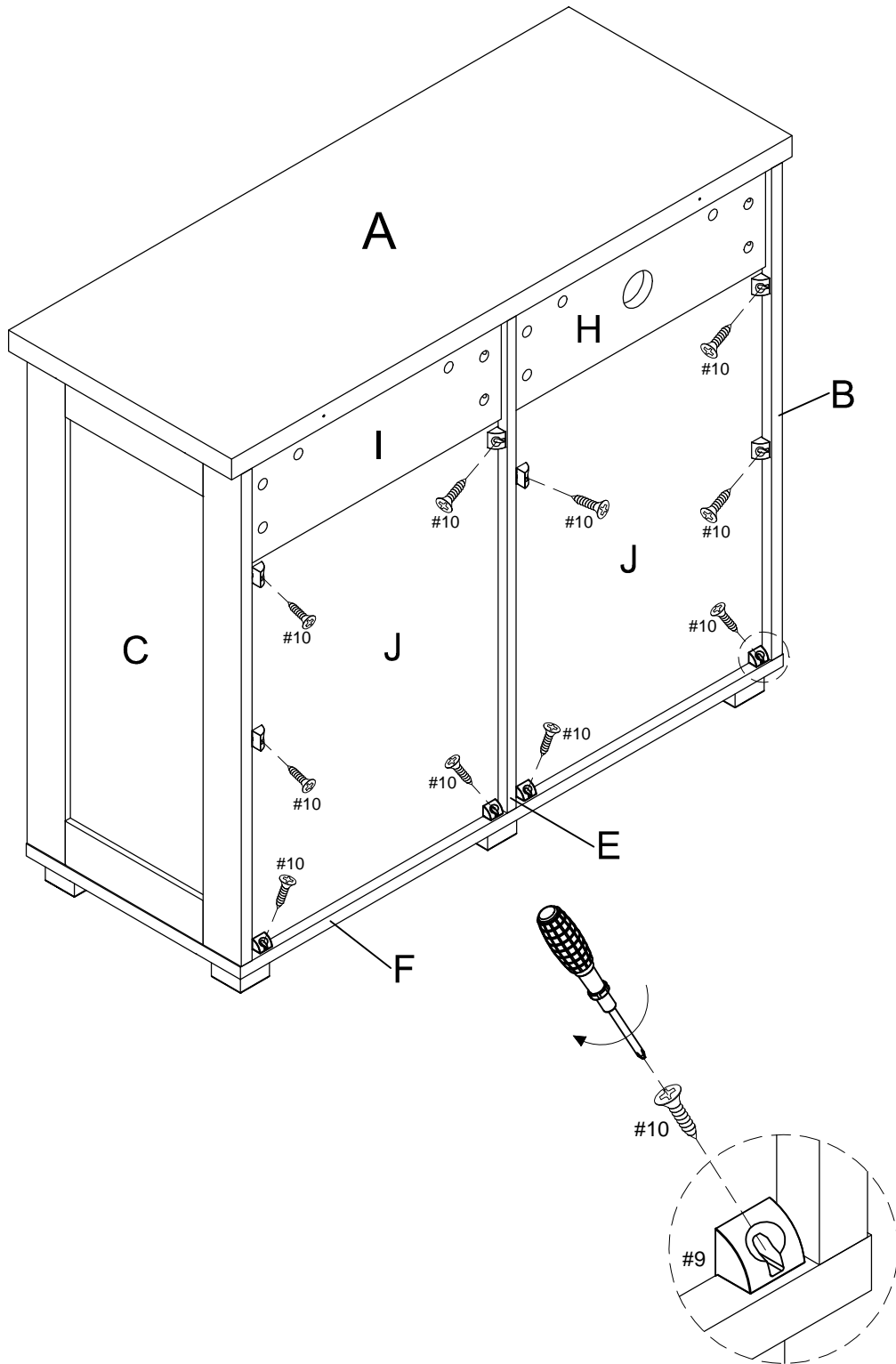
#9x10



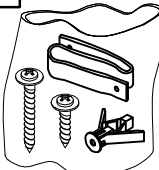
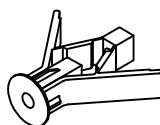

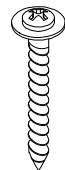
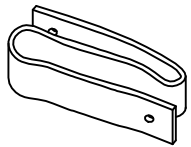
#10x10

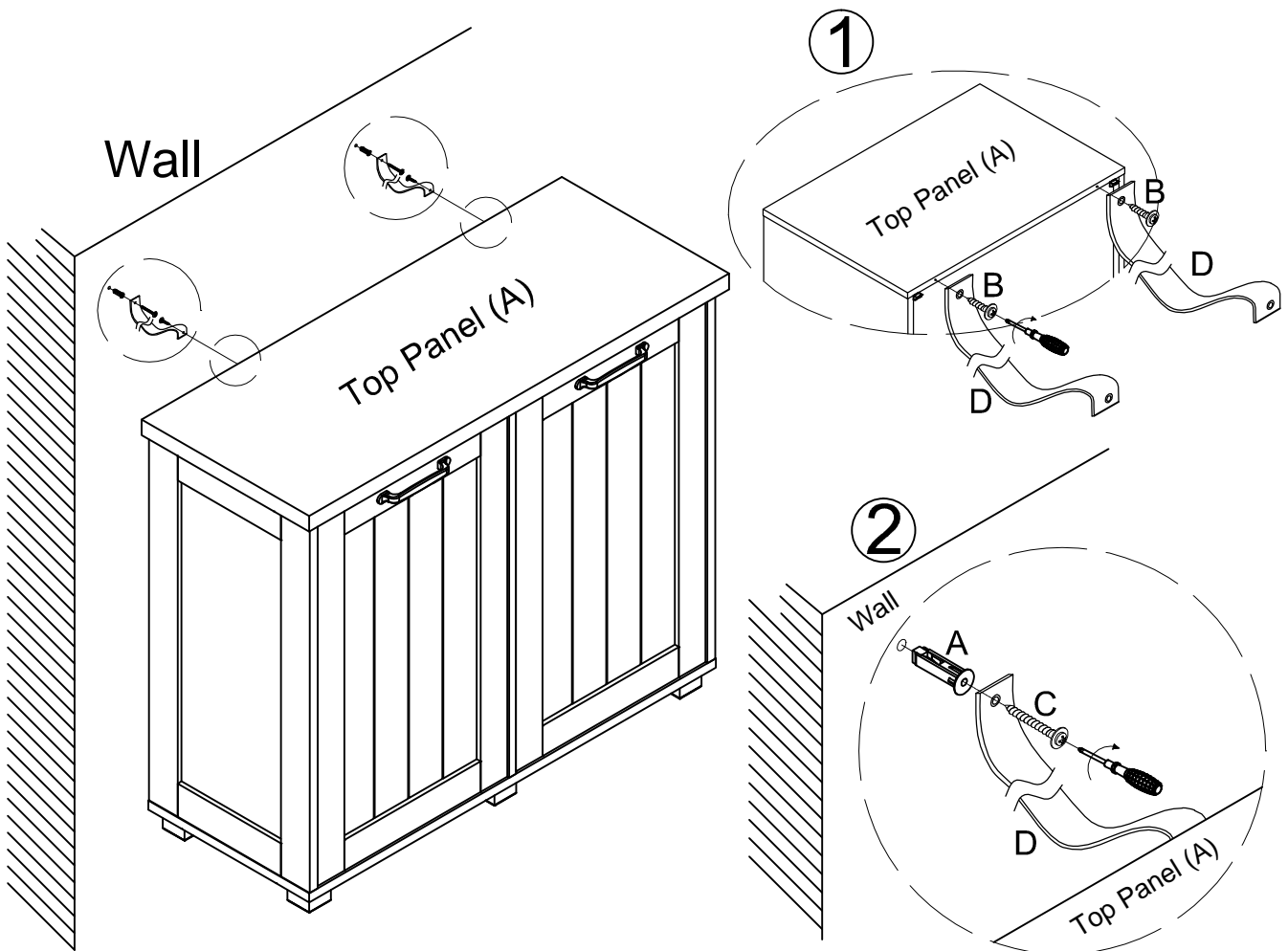


x1



## Step 21.

#14	A	B	C	D
				
Safety Strap Kit	Wall Anchor	Short Screw	Long Screw	Safety Wall Strap
2 SET	2 PCS	2 PCS	2 PCS	2 PCS



### SAFETY WALL STRAP INSTALLATION

Install the safety strap to prevent tip-over which can cause damage and/or injury.

1. Insert Short Screw (B) and Safety Strap (D) to screw onto the Back edge of Top Panel (A). Use a Phillips screwdriver to drive (B).
2. At the location where you want to secure the unit, drill a hole to fit Wall Anchor (A) snugly. The drilled hole has to level with safety strap on the back edge of (A).
3. Next, fit Wall Anchor (A) into the drilled hole.
4. Insert Long Screw (C) and Safety Strap (D) to screw into Wall Anchor (A). Use a Phillips screwdriver to drive (C).

The assembly of the buffet unit is complete.