











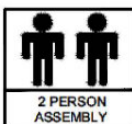
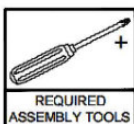
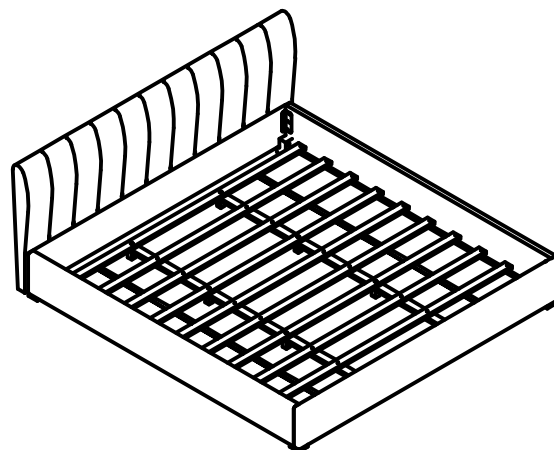
Assembly Instructions

Caution : You must read this before you proceed

Care & Maintenance

- ⊘  • Not for commercial use. For residential use only.
- ⊘  • Do not put hot items directly on furniture surface.
- ⊘  • Do not clean furniture with harsh cleansers or polish.
- ⊘  • Do not place furniture under direct sunlight.
- ⊘  • Do not place furniture near heating or cooling vents.
- ⊘  • Do not write on furniture without a padded barrier to protect the surface.
- ⊘  • Do not place furniture outside . For indoor use only.
- ⊘  • Stains may be removed with mild soap solution and damp cloth.
- ⊘  • Children should not climb or jump on the furniture.
- ✓  • Dust and pick-up spills using a clean, non-colored, lint-free cloth.

King Bed





WARNING

STRANGULATION HAZARD.

NEVER place bed near windows where cords from blinds or drapes may strangle a child.
 NEVER suspend strings over bed.
 NEVER place items with a string, cord, or ribbon, such as hood strings or pacifier cords, around a child's neck. These items may catch on bed parts.
 ALWAYS follow assembly instructions.



WARNING!

Not intended for children under the age of six. **INFANTS HAVE DIED FROM BECOMING ENTRAPPED IN BEDS.** Openings in and between bed parts can entrap the neck and head of a small child. NEVER use bed for child under the age of six.

The mattress must be appropriately sized for the bed. If the mattress is undersized, dangerous gaps can exist and a person can become entrapped or entangled in the frame and suffocate.

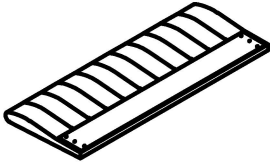
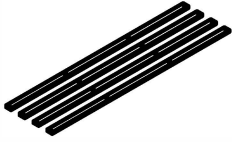
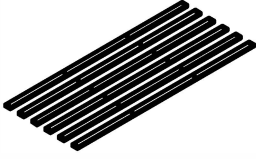
NOTE: This Bed is NOT a TOY.

Keep your child/children at bay during the assembly process.

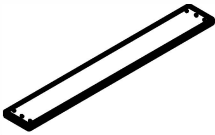
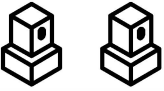
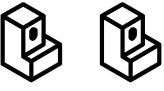
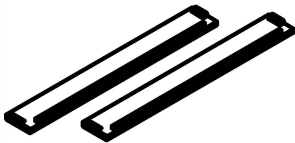
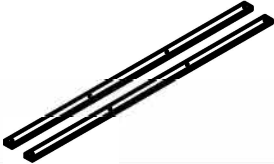
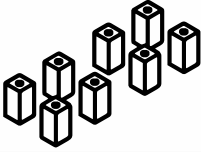
The BED is HEAVY.

To prevent injury to yourself or damage to the product a minimum of two adults are required whenever moving or lifting it.







Parts List

Label	Picture	Description	QTY
1		Headboard	1
5		Slats	4
6		Slats	6

Parts List

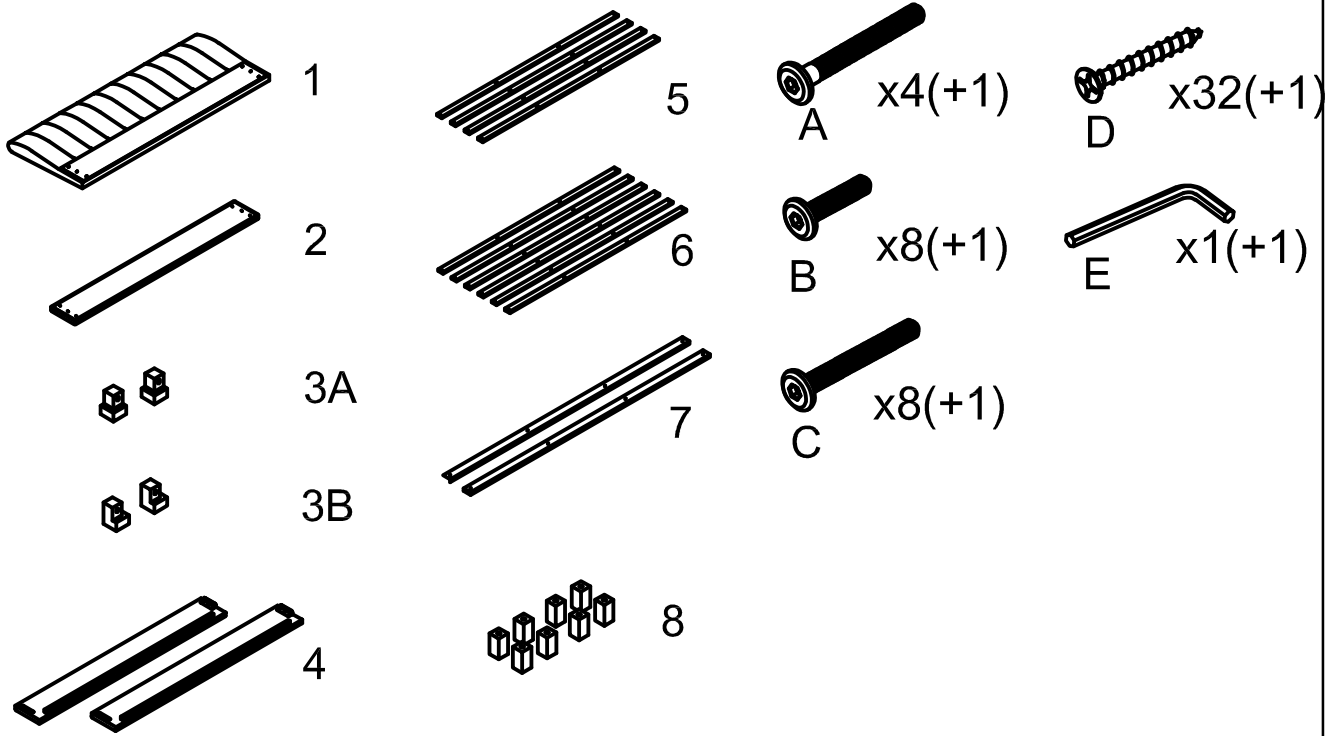
2		Footboard	1
3A		Bed Legs	2
3B		Bed Legs	2
4		Side Rails	2
7		Slat Support Bar	2
8		Legs Support	8

Hardware

Label	Picture	Description	QTY
A		Bolt (Ø1/4"x70mm)	4(+1)
B		Bolt (Ø1/4"x30mm)	8(+1)
C		Bolt (Ø1/4"x50mm)	8(+1)
D		Screws (M4 x 30 mm)	32(+1)
E		Allen Wrench	1(+1)
F		Screwdriver (Not provided)	1

Assembly Preparation

Before Beginning Assembly:



- Read instruction, cover to cover.



- Have 2 adults on hand for assembly.



- Do not assemble on flooring or carpet.



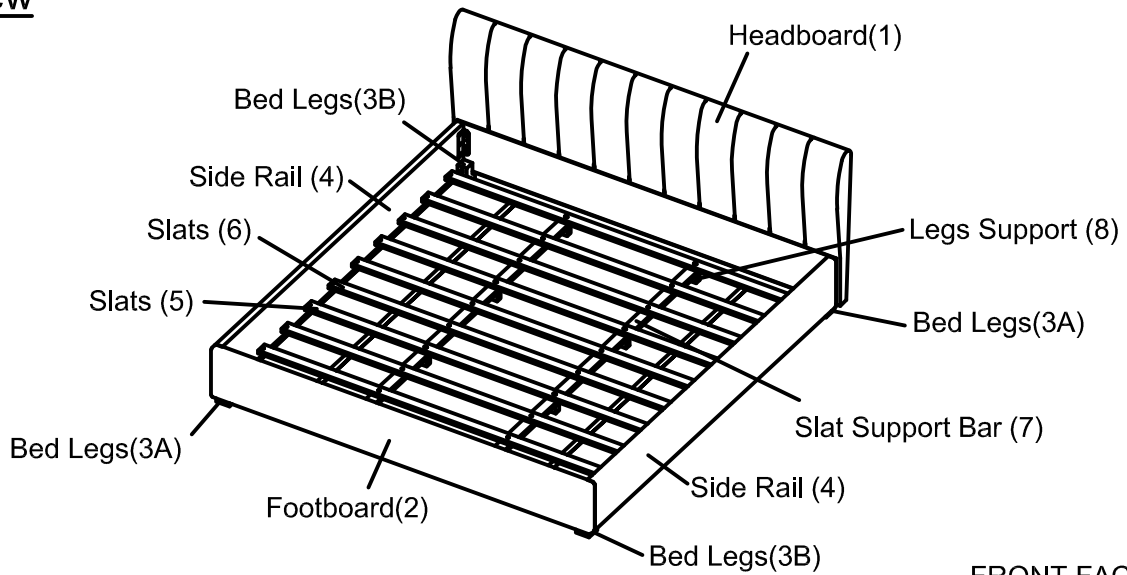
- Assemble on a clean non-marring surface (packing foam).



- Save all packaging until finished.

Assembly Steps

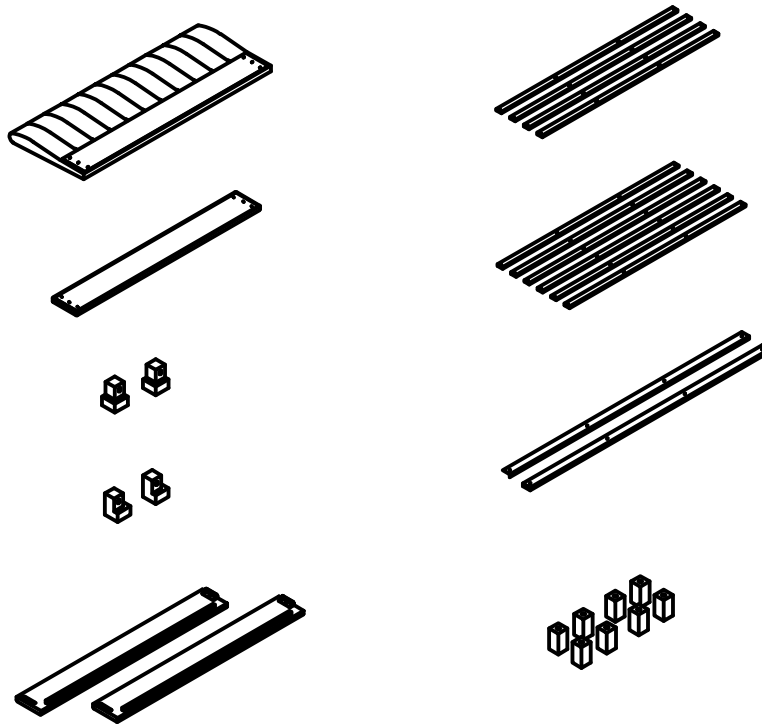
Overview



FRONT FACING

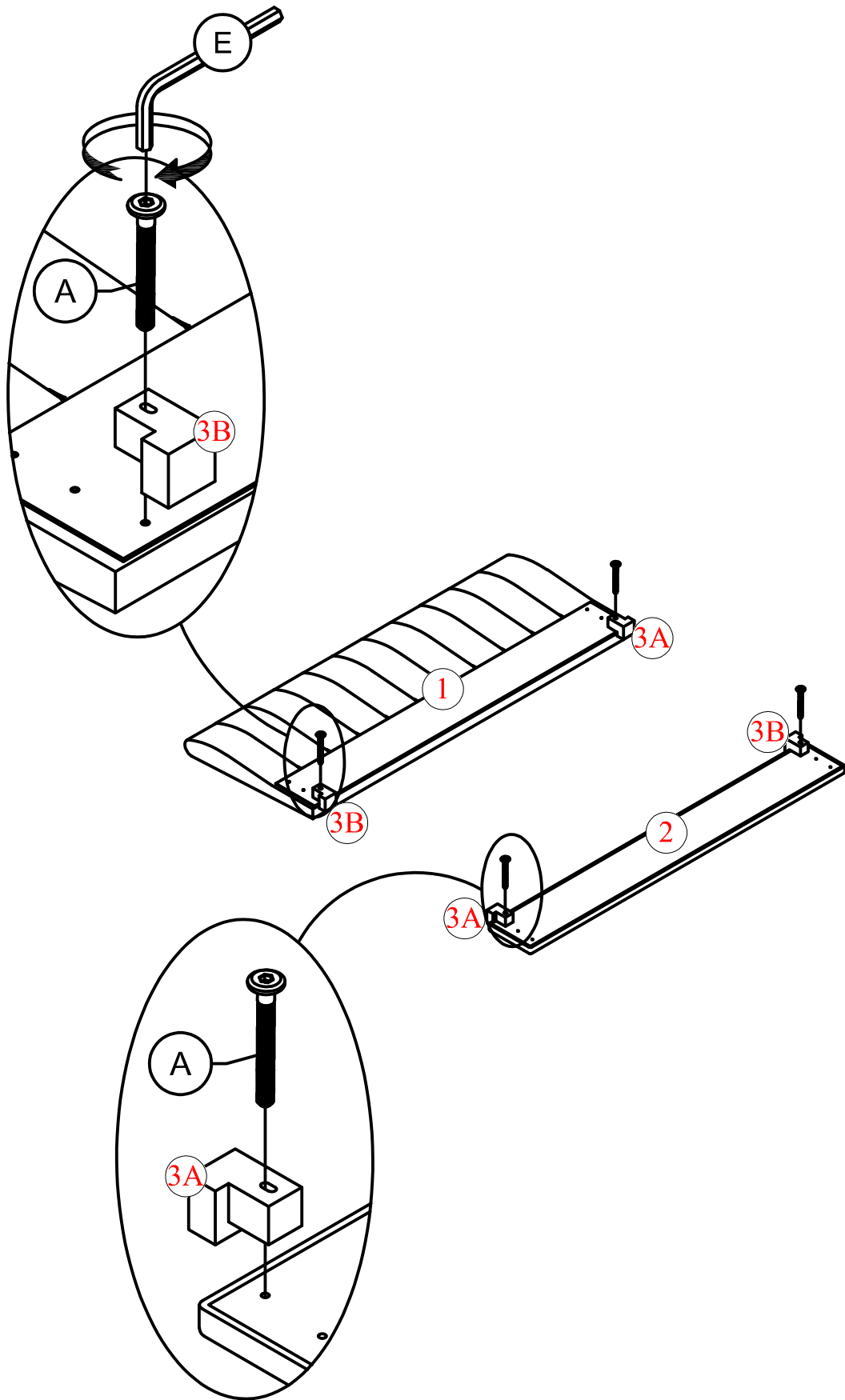
This Bed has multiple parts and may require up to 30 minutes to assemble. To give you an overview of the Bed parts, the above picture is provided to help you put the various parts into perspective. Please read through the instructions below to familiarise yourself with the parts and steps before assembly.

Step 1



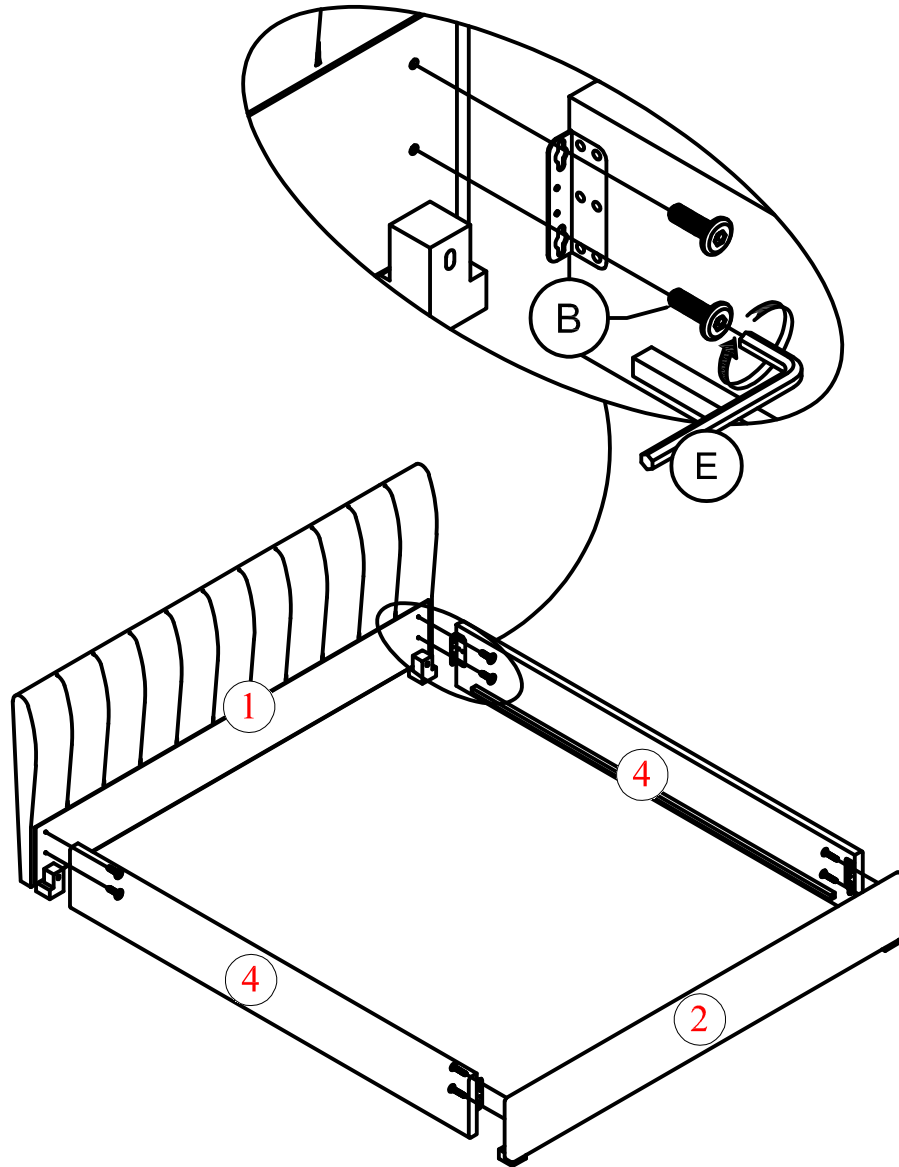
Unpack and place all parts on a clean, non-marring surface.

Step 2



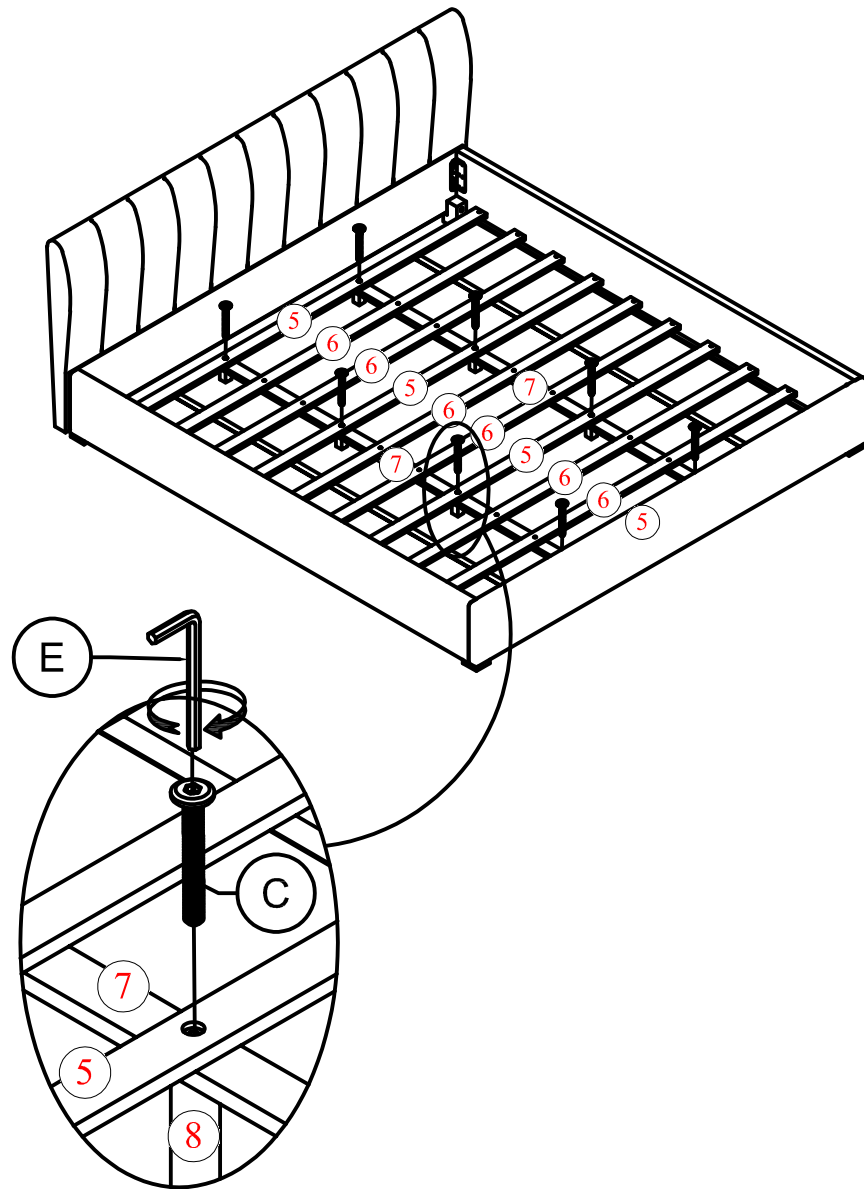
Adjust the position of the Bed Legs (3A)/(3B) to fit into the Headboard (1) and Footboard (2) as shown above. Use 8 Bolts (A) with Allen Wrench (E).

Step 3



With the help of your partner, stand the completed the Footboard (2) and Headboard (1) from Step 2 as shown in the picture above. Affix by using 8 Bolts (B) with Allen Wrench (E).

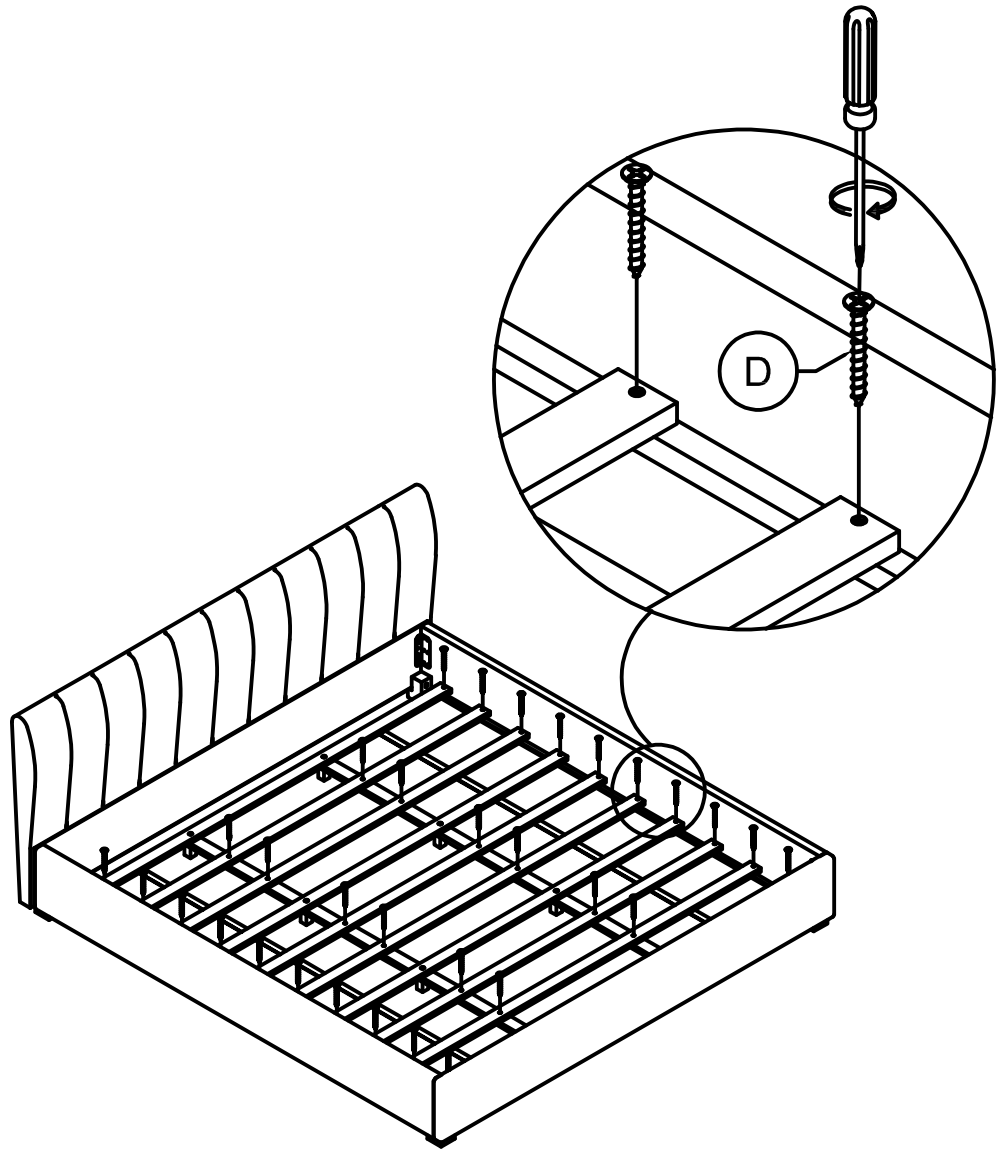
Step 4



Spread out 10 bed slats as shown above. Then align the Mounting Position on the Slat Support Bar (7) to the Support Leg (8) and the Slat (5). Attach the Slat (5) and the Slat Support Bar (7) to the Support Leg (8) and by using 8 Bolts (C) with Allen Wrench (E).

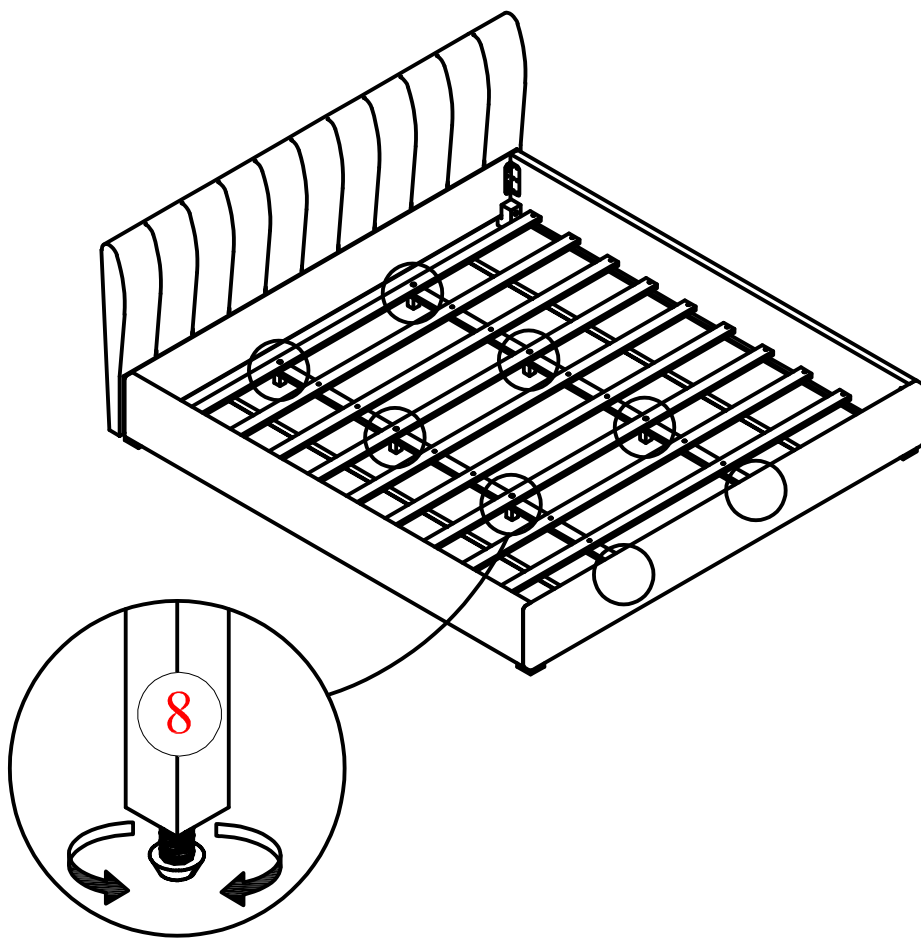
DO NOT FULLY TIGHTEN BOLTS IN ONE GO, TIGHTEN THE BOLTS AFTER 8 PCS Support Leg (8) ARE ATTACHED.

Step 5



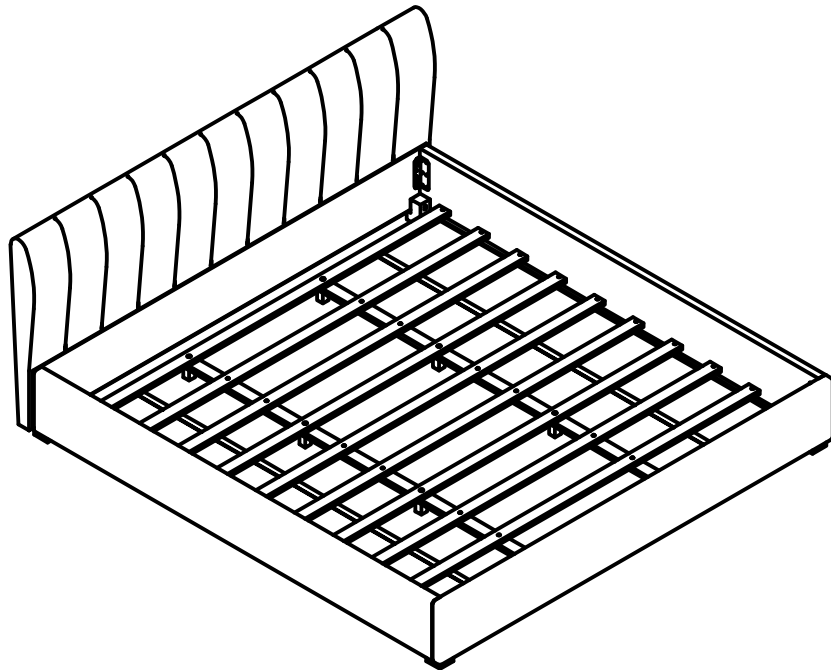
Fix the Slats (5)/(6) to Side Rails (4) and the Slats Support Bar by using 32 Screws (D) and a Screwdriver (Not Provided).

Step 6



Rotate counterclockwise to increase the length of Floor Leveler, and raise that corner.
Rotate clockwise to lower that corner.

Step 7



Place the Bed on a LEVEL SURFACE.
Inspect it and make sure all parts are adequately connected.

Don't push too hard, shake on the bed.

This would help to align all the parts at all the joint areas.

CAUTION 1: When tightening these screws, tighten sequentially.

DO NOT tighten any screw fully and then towards the next one.

This would cause the frame to warp.

If there is still wobbles, loosen the screws and execute this same process. DO NOT tighten any screw fully and then towards the next one.

WARNING!! IF BED IS NOT STABLE , IT COULD LEAD TO DAMAGING THE PRODUCT.

Ensure all screws are fully locked into position.

The bed is ready to be used.

CAUTION 2: This bed can only be used on a flat, level surface.