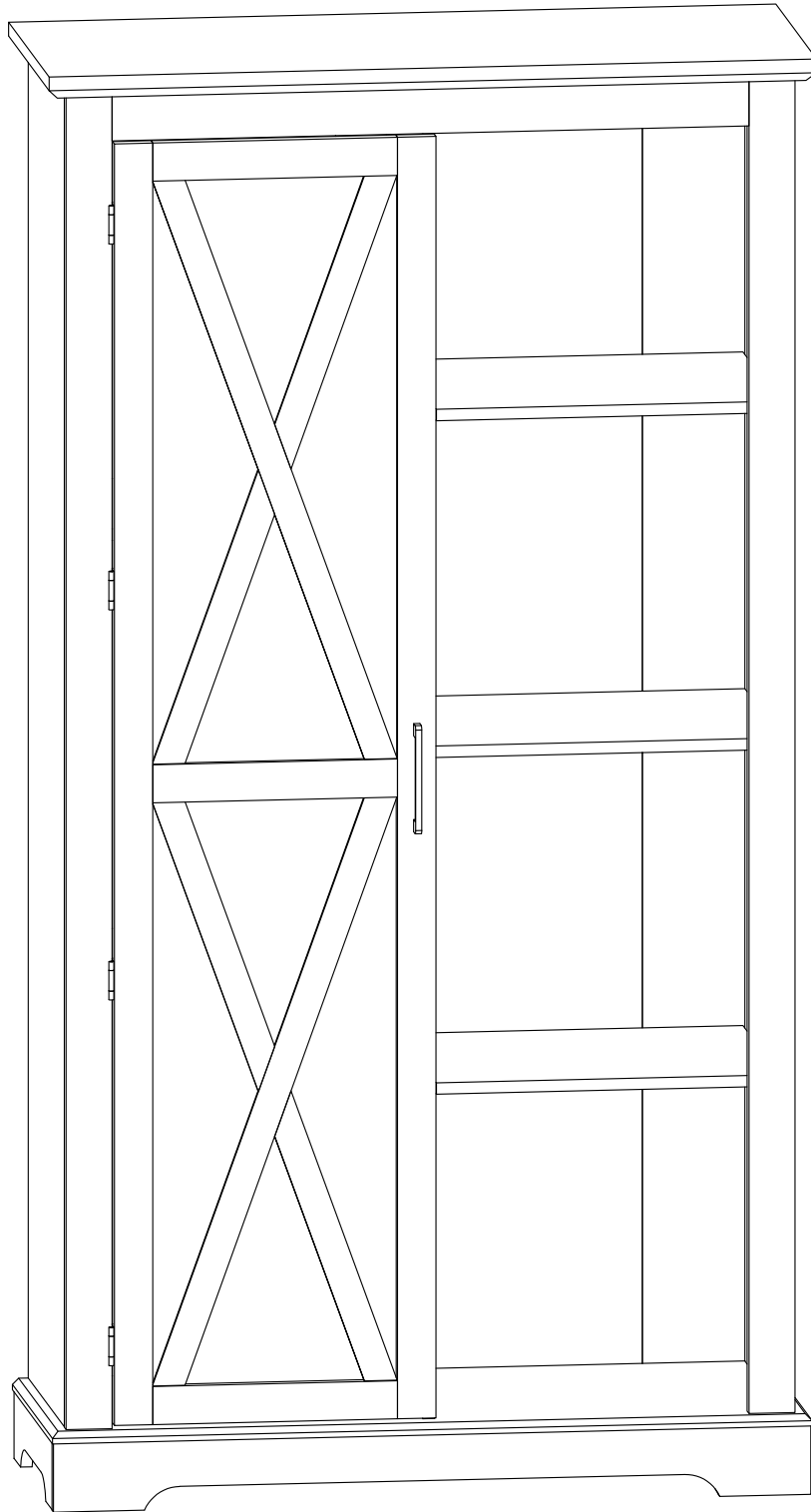


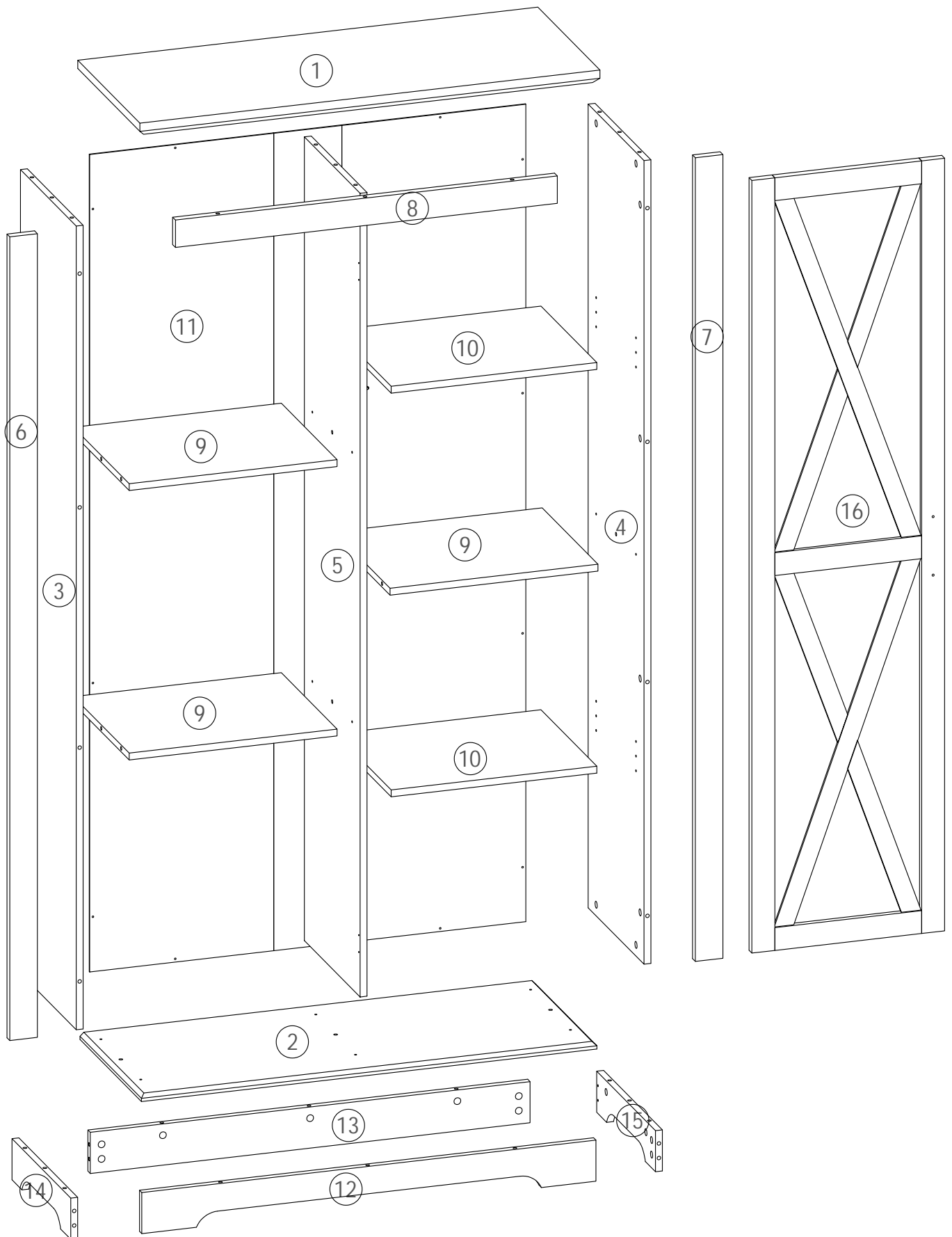
Barn Door Tall Cabinet

Assembly Instructions

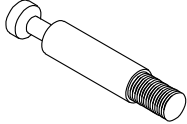
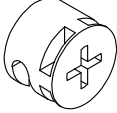
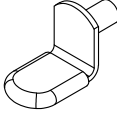
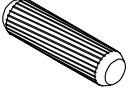
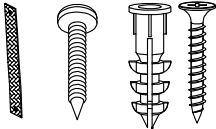

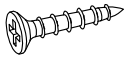
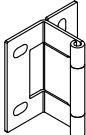
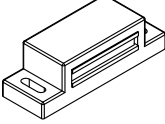

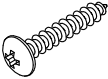
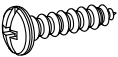



NOTE: This instruction manual contains **IMPORTANT** safety information.
Please read carefully before assembling the product

List of Parts

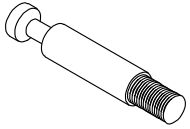


List of Hareware

| No. | Hare ware | Quanti ty |
|-----|---|-----------|
| A |  | 53 |
| B |  | 53 |
| C |  | 8 |
| D |  | 15 |
| E |  | 2 |
| F |  | 4 |
| G |  | 24+1 |
| H |  | 4 |
| I |  | 2 |
| J |  | 2 |
| K |  | 16 |
| L |  | 4 |
| M |  | 1 |

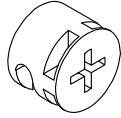
STEP1

A

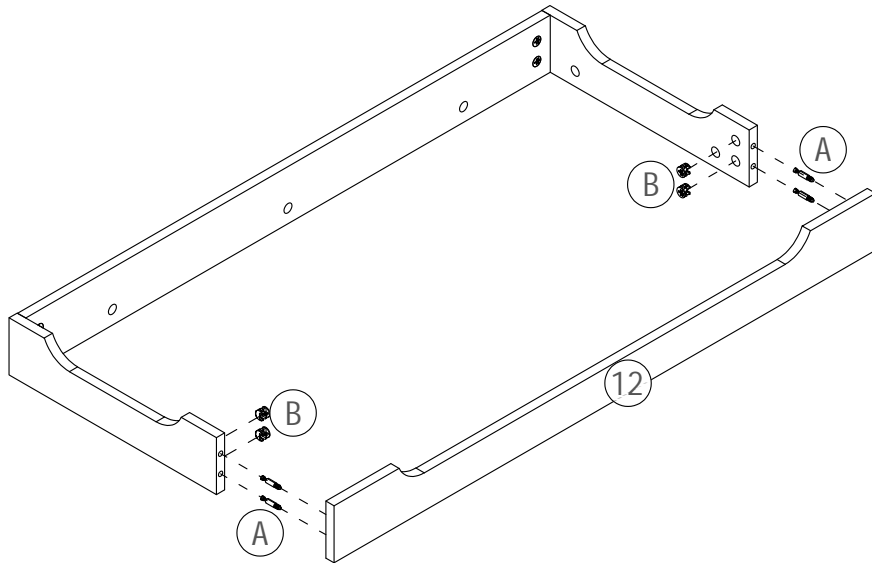
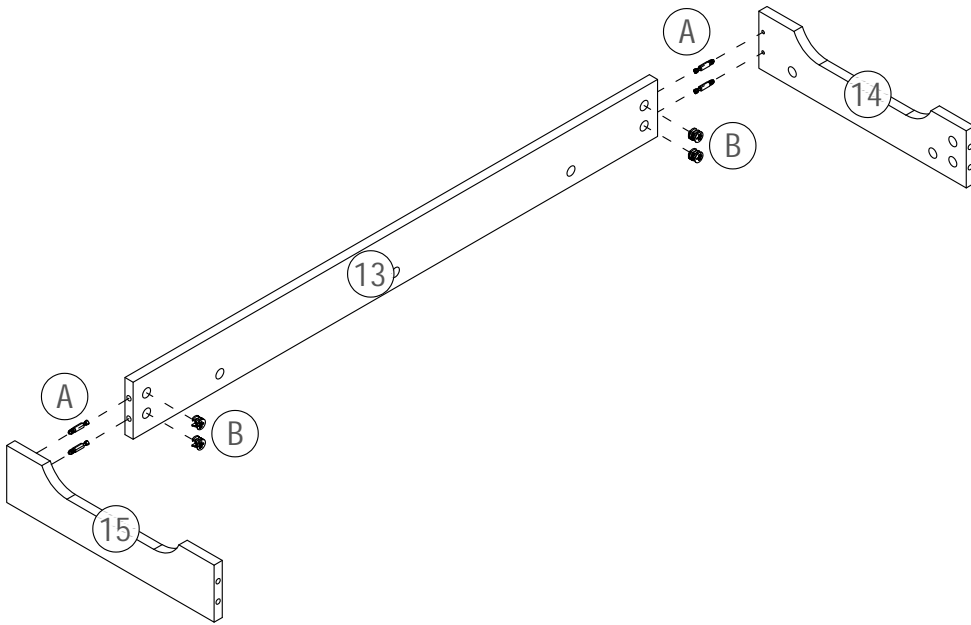


8 PCS

B

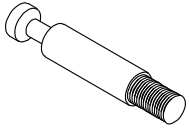


8 PCS



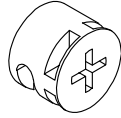
STEP2

A



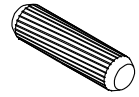
10 PCS

B

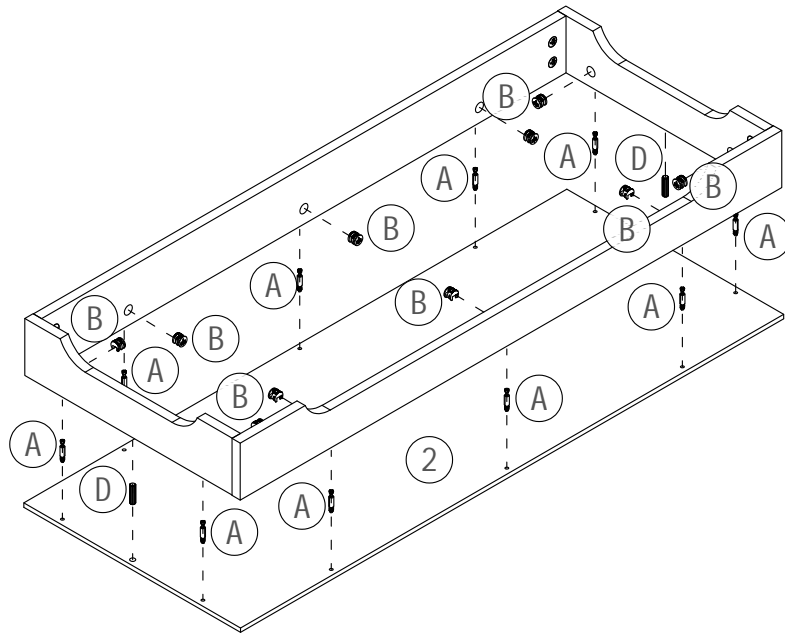


10 PCS

D

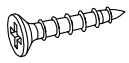


2 PCS



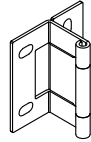
STEP3

G



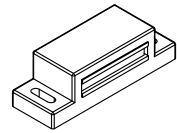
8 PCS

H



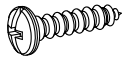
4 PCS

I

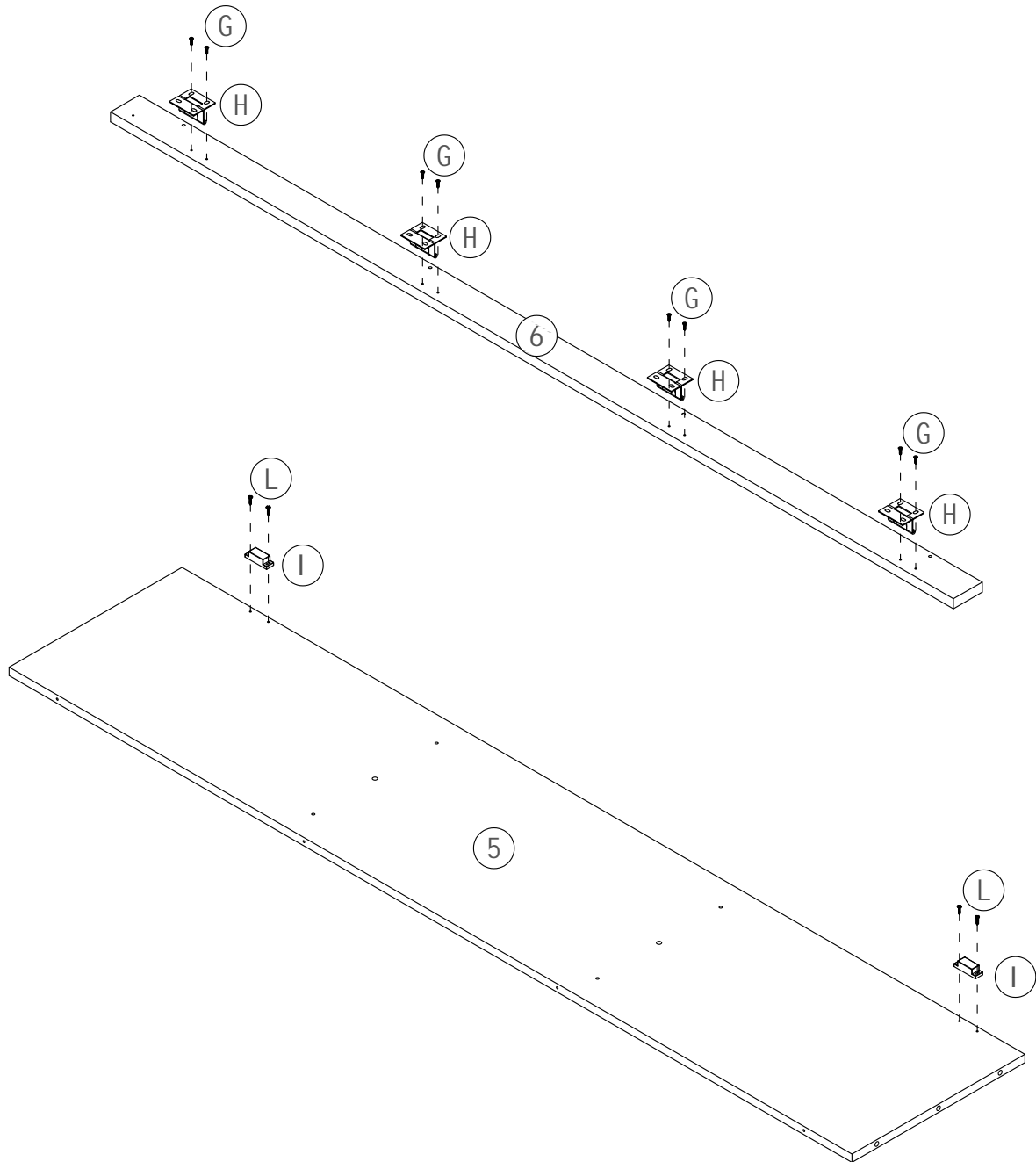


2 PCS

L

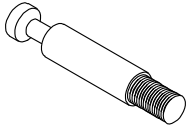


4 PCS



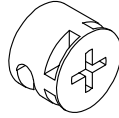
STEP4

A

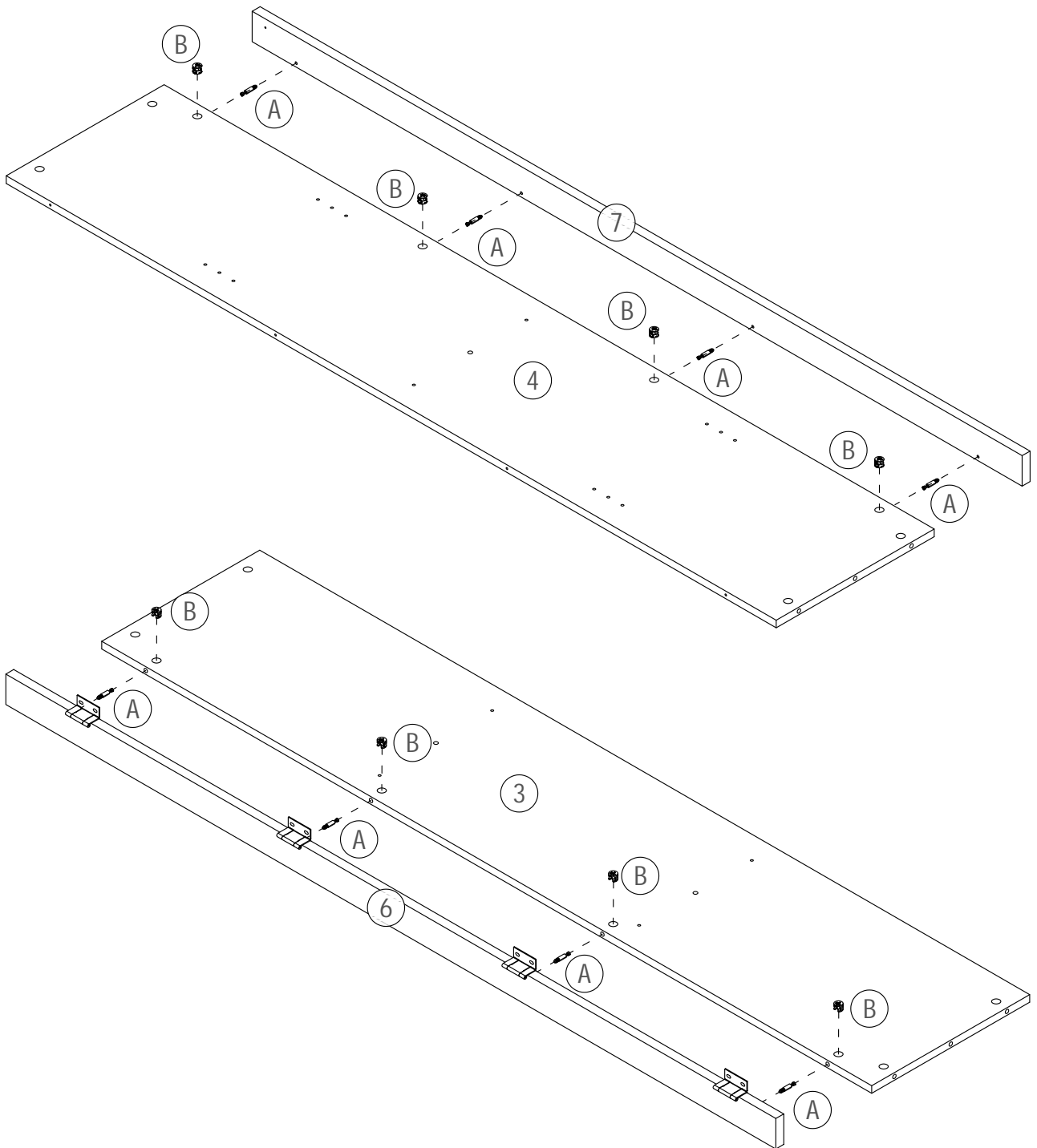


8 PCS

B

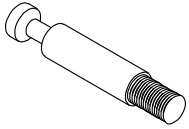


8 PCS



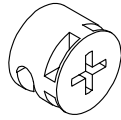
STEP5

A



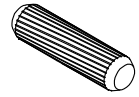
12 PCS

B

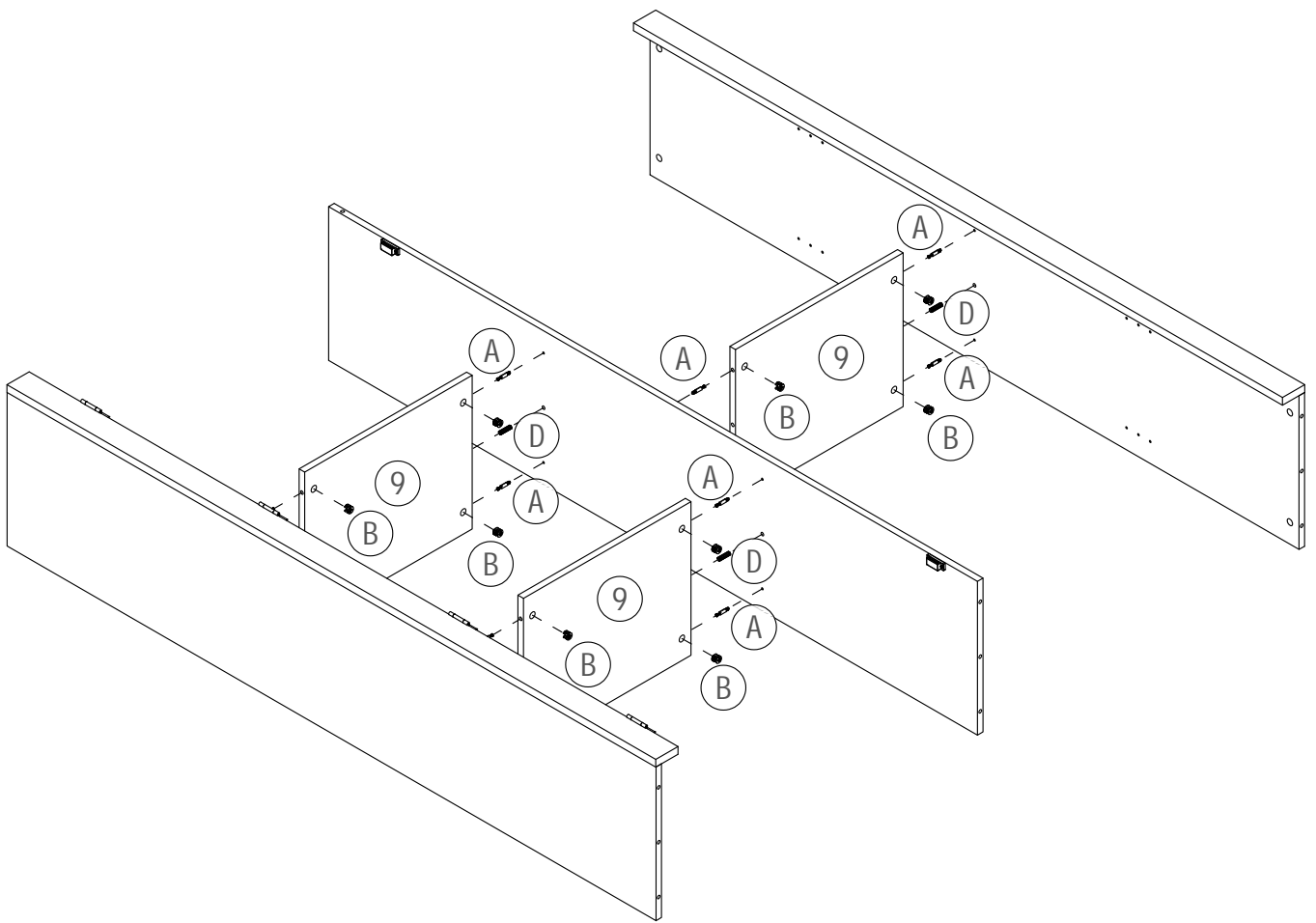


12 PCS

D

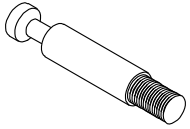


6 PCS



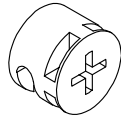
STEP6

A



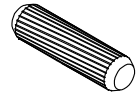
6 PCS

B

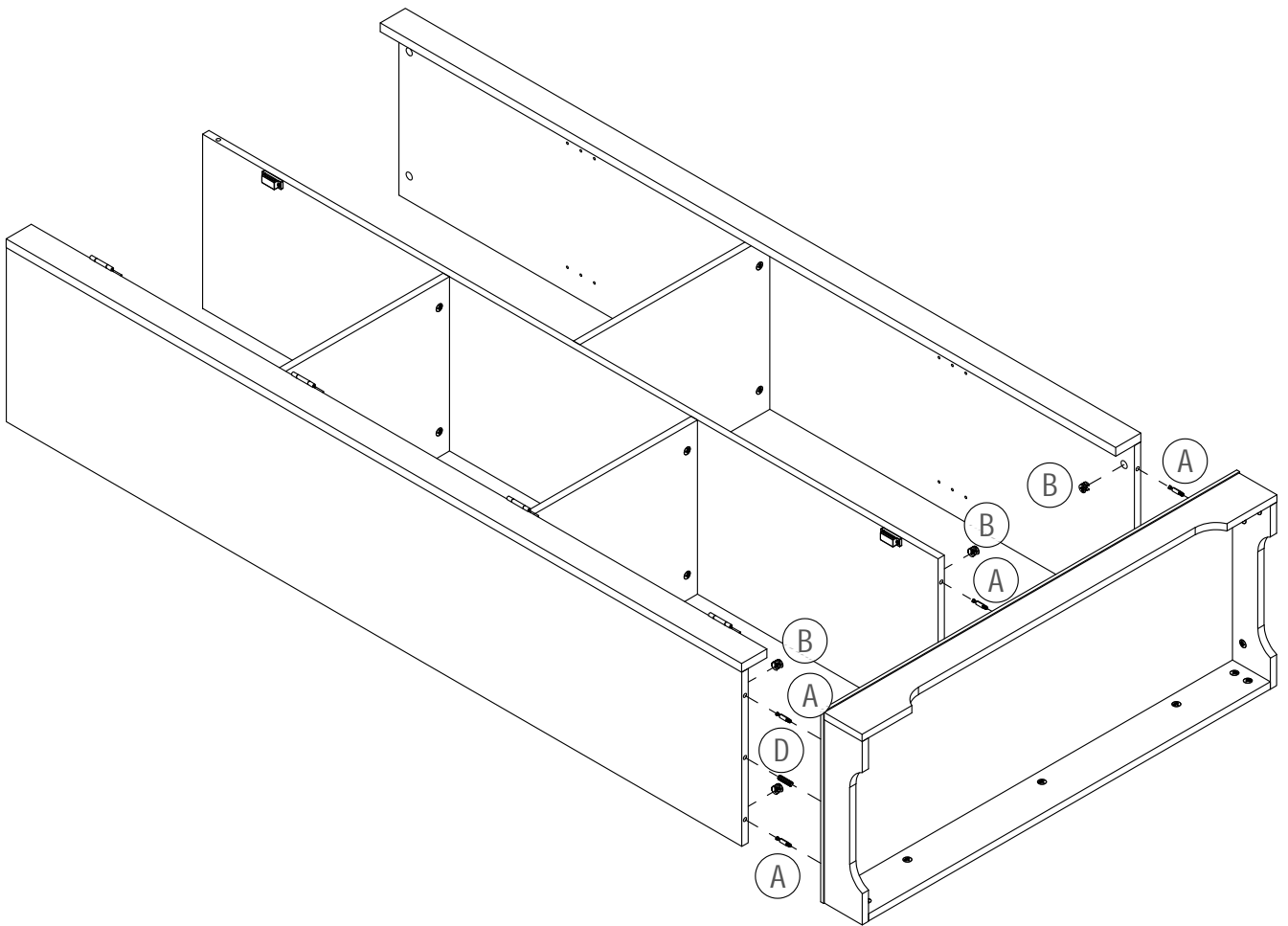


6 PCS

D

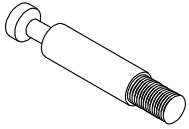


3 PCS



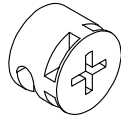
STEP 7

A



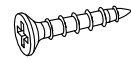
1 PCS

B



1 PCS

G

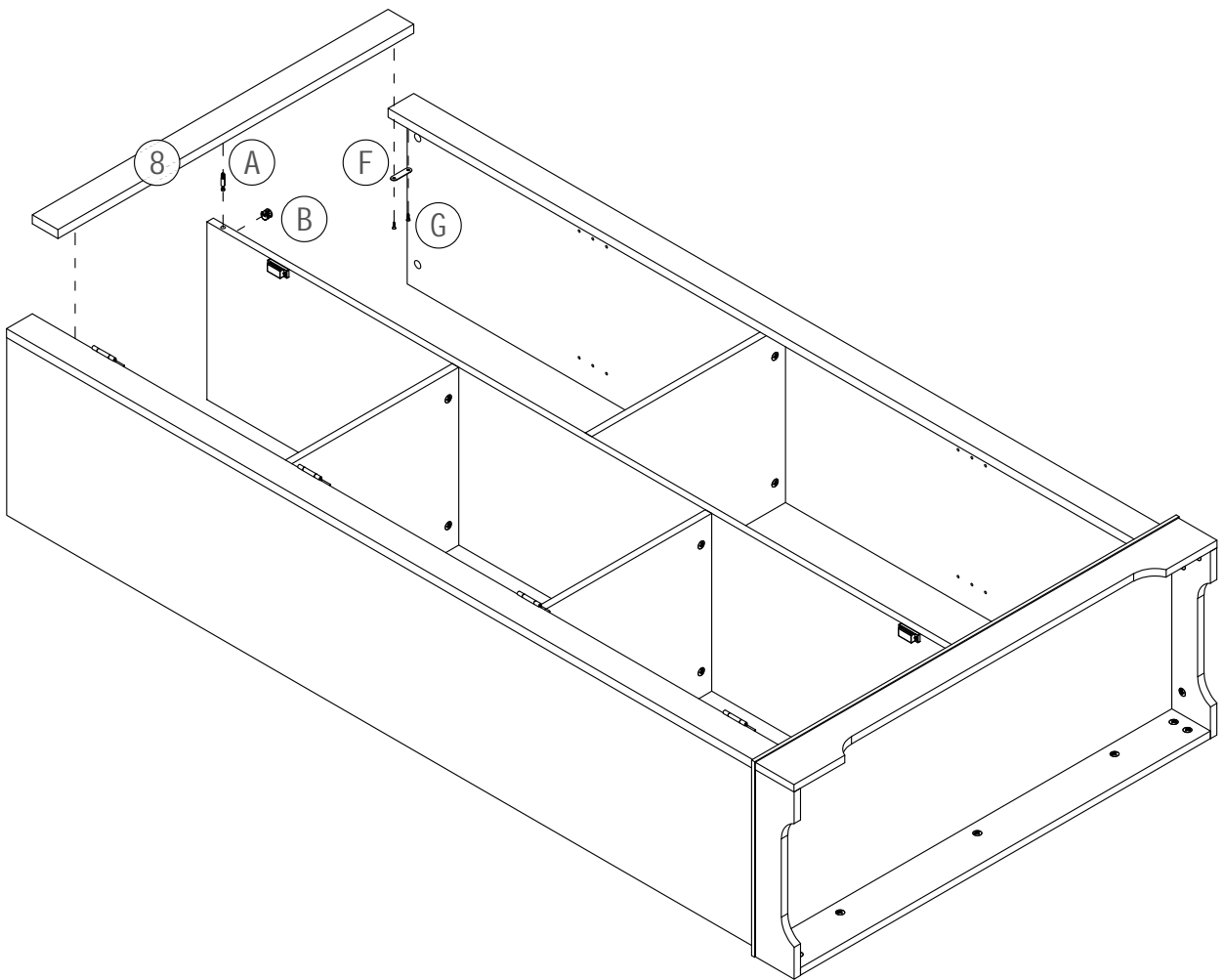


4 PCS

F

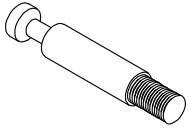


2 PCS



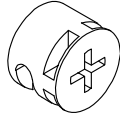
STEP 8

A



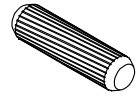
8 PCS

B

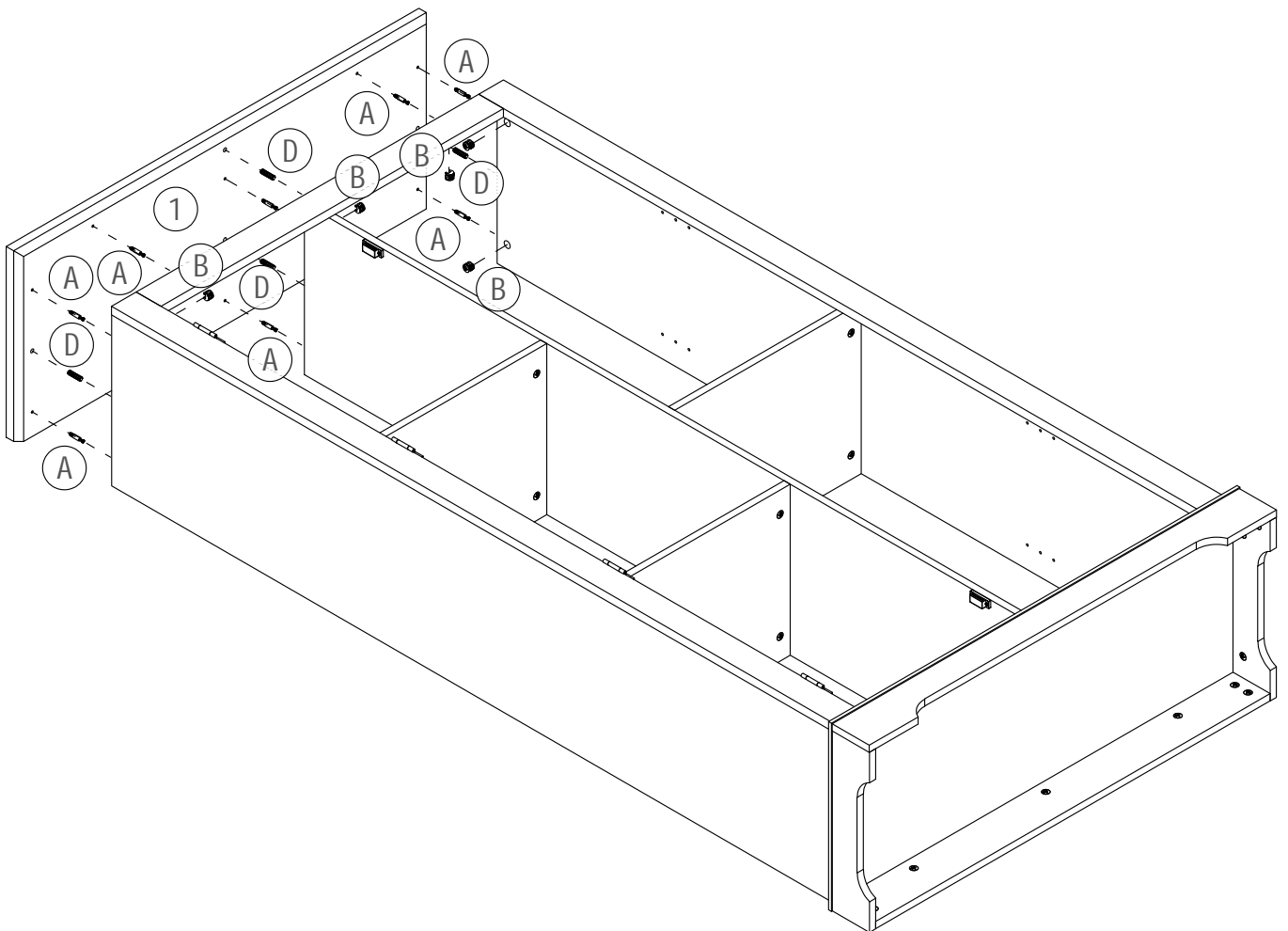


8 PCS

D

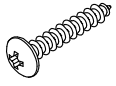


4 PCS

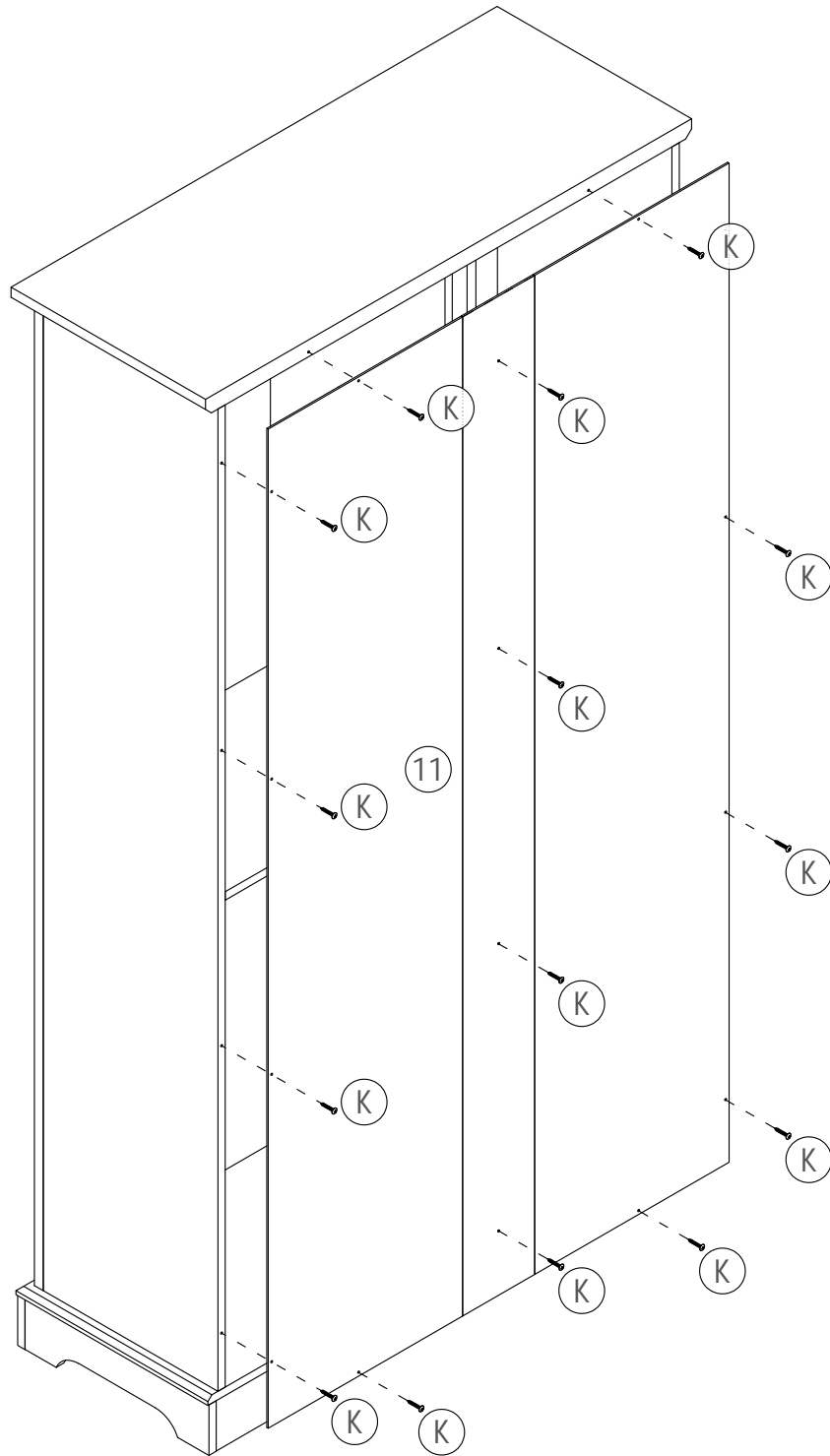


STEP9

K

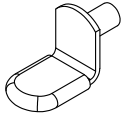


16 PCS

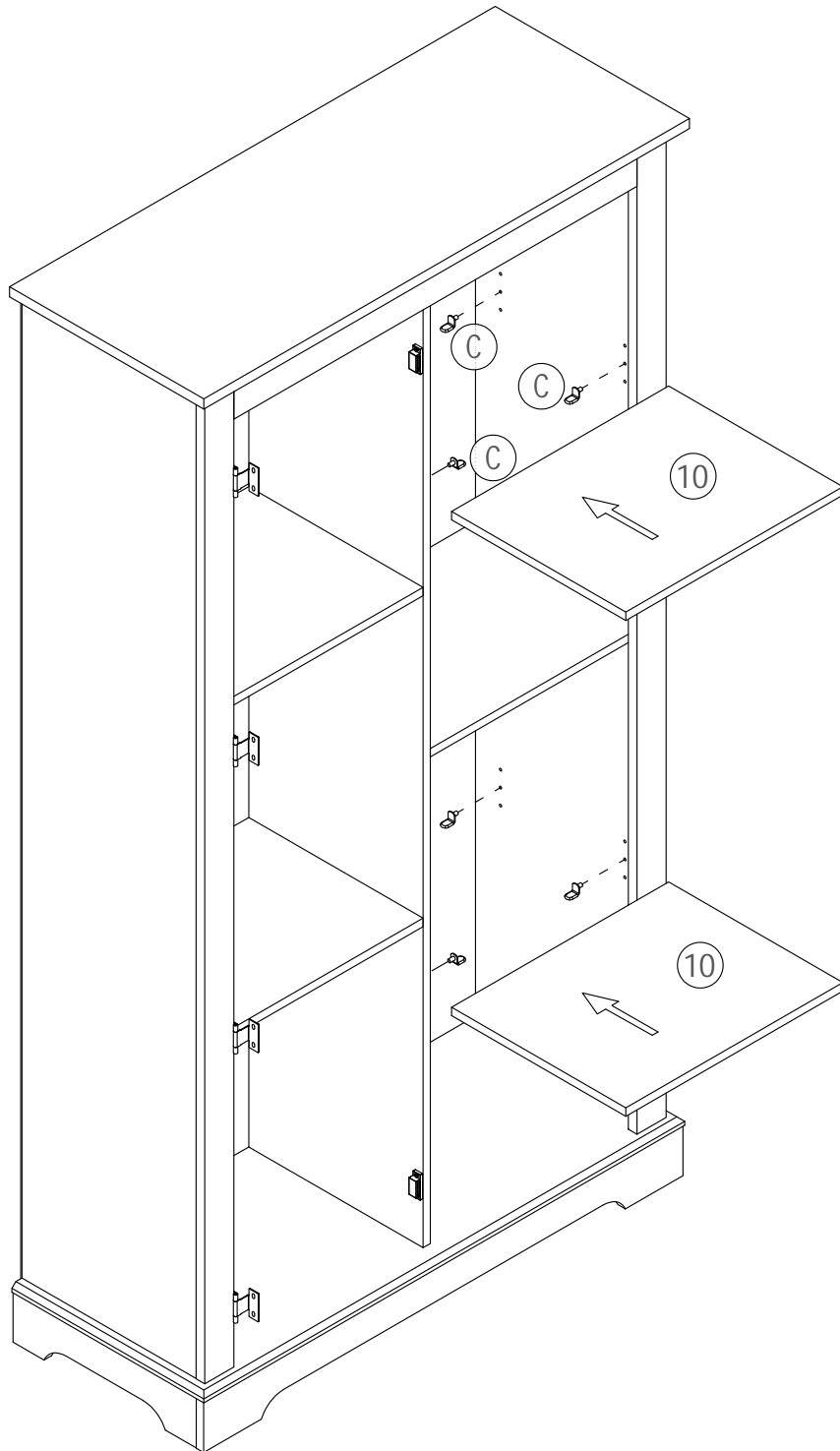


STEP10

C

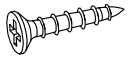


8 PCS



STEP11

G



4 PCS

F



2 PCS

J

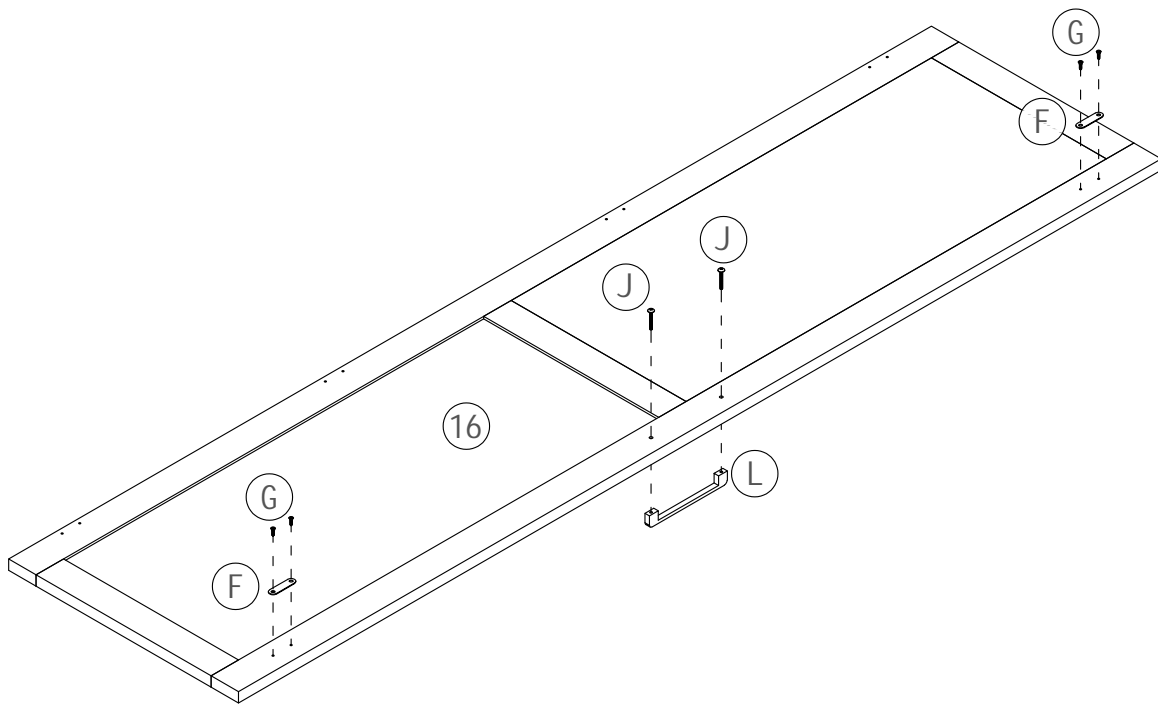


2 PCS

M

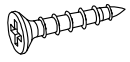


1 PCS

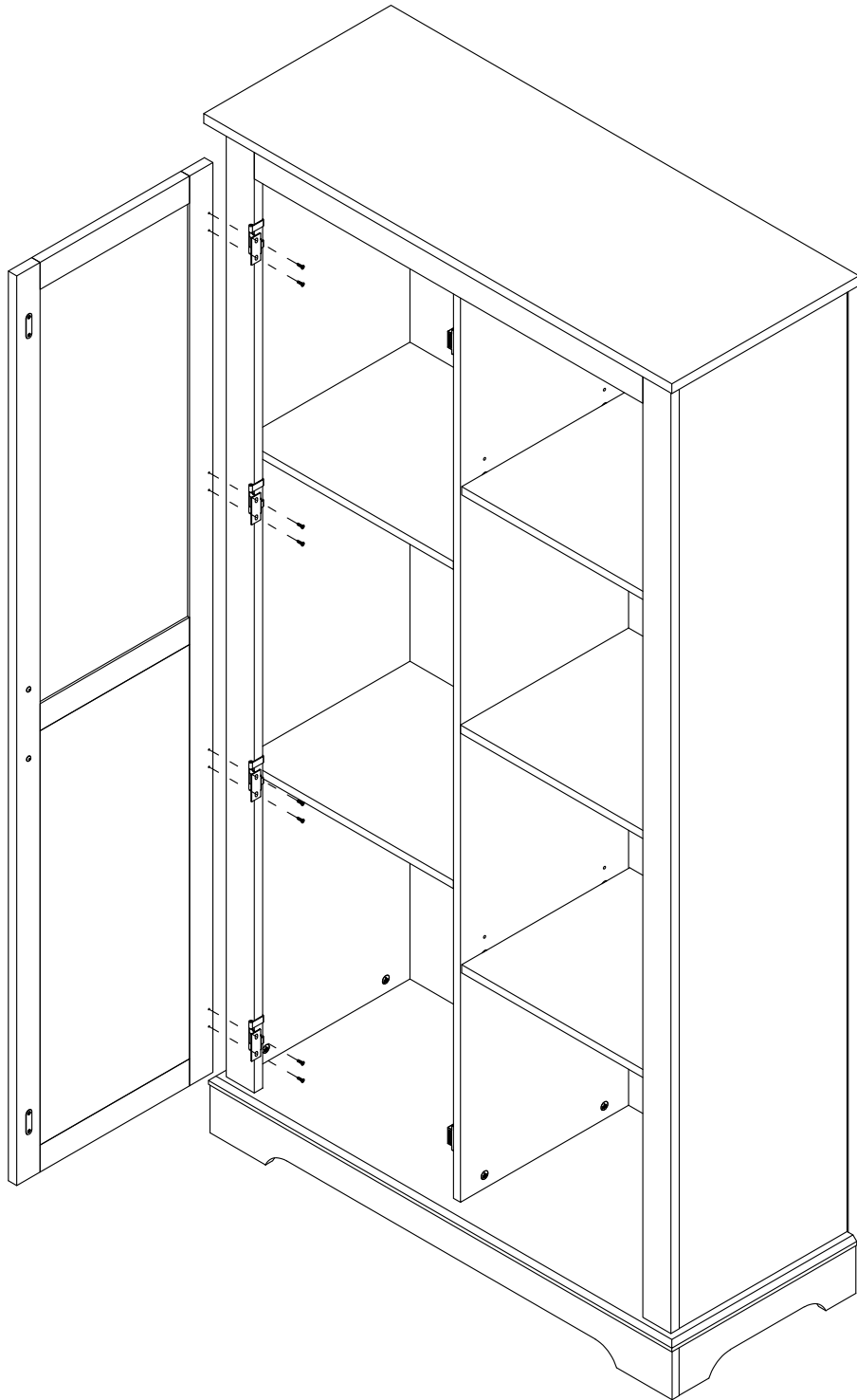


STEP12

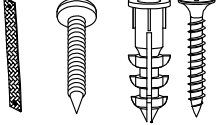
G



8 PCS



STEP13

(E)  2 PCS

