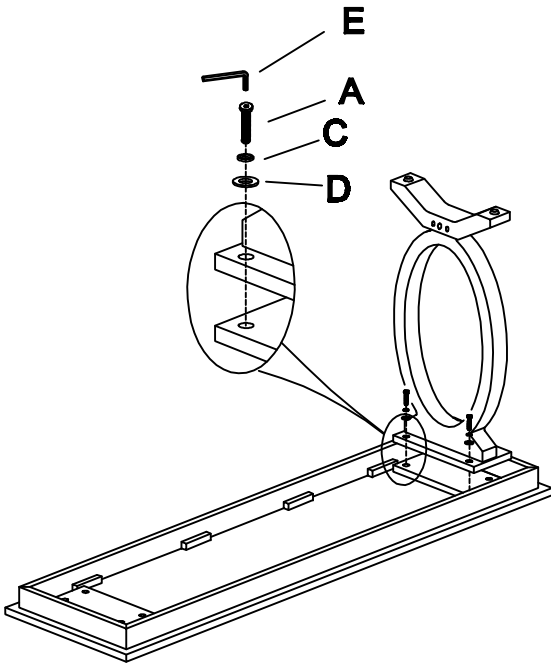


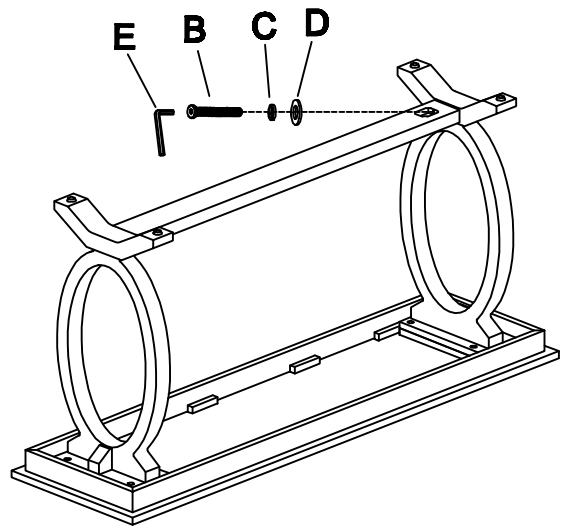
ASSEMBLY INSTRUCTION

FOR 8105-99

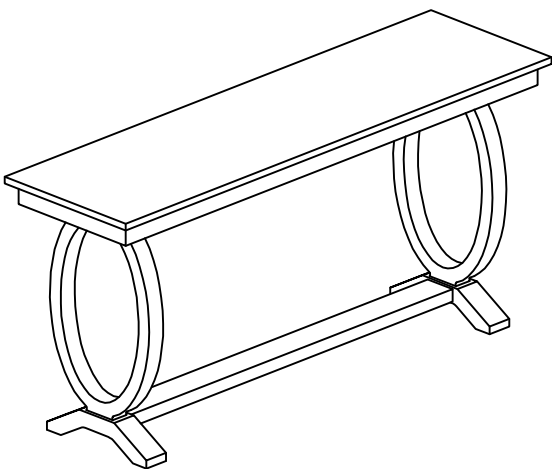
STEP1








STEP2



FINAL



| NO | DRAWING | SIZE | QTY |
|----|---|----------------|-------|
| A |  | Ø1/4" * 1-1/2" | 8pcs |
| B |  | Ø1/4" * 2" | 2pcs |
| C |  | Φ 1/4" | 10pcs |
| D |  | Ø1/4" * Ø16 | 10pcs |
| E |  | 4mm | 1pc |
| | | | |