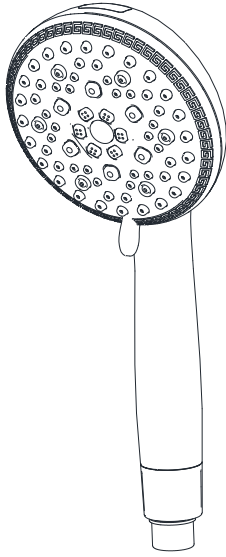


INSTALLATION GUIDE



HANDHELD SHOWER

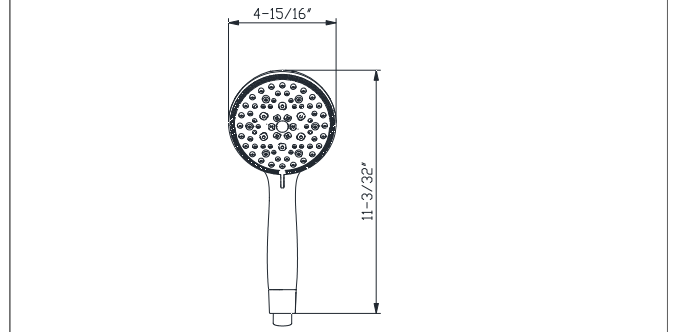
MODEL	FINISH
S4368U-CH	CHROME
S4368U-BN	BRUSHED NICKEL
S4368U-BG	BRUSHED GOLD
S4368U-BB	MATTE BLACK

HOT LINE: +1-866-203-0866

FUNCTIONS & SPECIFICATIONS

Finish	Chrome, Brushed Nickel, Matte Black, Brushed Gold
Hand Shower Flow Rate	1.8 GPM@60PSI
Hand Shower Material	Plastic
Hand Shower Height	11-3/32 Inch
Hand Shower Width	4-15/16 Inch
Net Weight	0.75 lbs
Gross Weight	1.09 lbs
Packing Box [L x W x H]	5-15/16 Inch x 2-3/4 Inch x 1-1/4 Inch

DIMENSION



FRONT VIEW

INSTALLATION STEPS

1. BEFORE PROCEEDING



WARNING: Before beginning any installation or operation, read all instructions carefully. If you are unsure about installing this product, consult a licensed professional. This product must be installed in compliance with all applicable local and state plumbing and building codes. Professional assistance is strongly recommended.

2. SHUT OFF WATER SUPPLY

Locate the water supply inlets and turn off the corresponding water supply valves, typically located under the sink or near the water meter. If replacing an existing unit, remove the old unit and thoroughly clean the mounting surface to ensure proper installation.

3. CHECKING THE CONTENTS OF THE BOX

Upon opening the box, verify that all the listed components are included.

CLEANING RECOMMENDATION FOR SUMERAIN PRODUCTS

Modern lavatory faucets, kitchen faucets, and showers are crafted from a variety of materials to meet the market's demands for both design and functionality. To prevent damage and reduce the likelihood of returns, it is essential to follow the recommended cleaning guidelines.

Cleaning Materials for faucets & showers

When cleaning faucets and showers, it is essential to follow these professional guidelines:

- Use acidic cleaning agents specifically formulated for lime removal.
- Only use cleaning products designed for this purpose to avoid damage.
- Do not use cleaning agents containing hydrochloric, formic, phosphoric, or acetic acid, as these can cause severe damage to the surface.
- Never mix different cleaning agents, as this may lead to harmful chemical reactions.
- Avoid abrasive cleaning products or tools, such as unsuitable cleaning powders, rough sponge pads, or microfiber cloths that could harm the finish.

Cleaning instructions for faucets & showers

Please follow the cleaning material manufacturer's instructions carefully. Additionally, observe the following guidelines to maintain your faucets and showers:

- Clean faucets and showers regularly as needed to preserve their optimal function and appearance.
- Use the recommended amount of cleaning product and apply it for the specified duration. Avoid leaving the cleaner on the surface longer than necessary to prevent potential damage.
- Regular cleaning helps prevent calcification. For scale deposits on faucet surfaces or spouts, use a commercial descaler such as Lime-Away® or CLR®.
- If rust forms due to hard water, gently remove it by rubbing the affected area with aluminum foil soaked in water until smooth. Then, apply a small amount of chrome polish or an appropriate product like automotive wax (e.g., Meguiar's® or Turtle Wax®) to restore the finish.
- Solid stainless steel faucets and spouts, especially waterfall designs, usually lack a protective coating. While stainless steel resists tarnishing, it can oxidize over time. Keep stainless steel fixtures clean and dry, and use a stainless steel-specific cleaner such as Weiman® or CLR® for proper maintenance.
- When using spray cleaners, apply the product to a soft cloth or sponge first instead of spraying it directly onto the faucet. This prevents water droplets from entering the faucet openings and causing damage.
- After cleaning, rinse all surfaces thoroughly with clean water to remove any cleaner residue.

Important

Residues from liquid soap, shampoo, and shower gel can contribute to surface damage over time. To prevent this, thoroughly rinse these substances off with clean water after each use.



Note: If the surface is already damaged, using cleaning materials may worsen the damage.

Components with damaged surfaces must be replaced to prevent potential injury. Please note that any damage caused by improper use, maintenance, or cleaning is not covered under the warranty.

SUMERAIN®

SUMERAIN INTERNATIONAL GROUP INC
Address: 1226 NORTH KING ST NUM 522
WILMINGTON, DE 19801
United States

Tel: +1(866)203-0866
Web: <http://www.sumerain.com>
E-mail: supports@sumerain.us

HONGKONG SUMERAIN SANITARY INDUSTRY CO., LIMITED

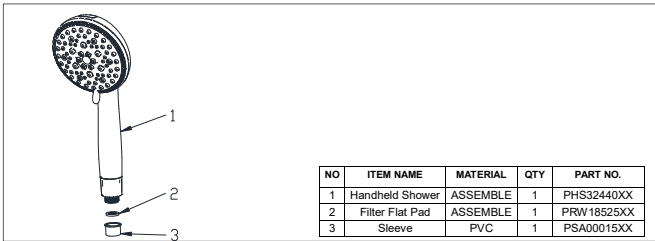
Address: FLAT/RM 3B 3/F BANK TOWER
NOS.351&353 KING'S ROAD
NORTH POINT
HK

Tel: +86-750-2731579
E-mail: supports@sumerain.com

SUMERAIN EUROPE SUPPORT

Address: Flottwellsstr.15
10785 Berlin,
Deutschland

Tel: +49 (0)30/23975898
E-mail: de@sumerain.com



NO	ITEM NAME	MATERIAL	QTY	PART NO.
1	Handheld Shower	ASSEMBLE	1	PHS32440XX
2	Filter Flat Pad	ASSEMBLE	1	PRW18525XX
3	Sleeve	PVC	1	PSA00015XX

If any of these items are missing, please contact SUMERAIN consumer service by email to: supports@sumerain.com.

4. Adjusting the spray pattern of the handheld shower.

(a) Select various water spray patterns:

The shower is equipped with nine spray modes to enhance your showering experience. These modes include:

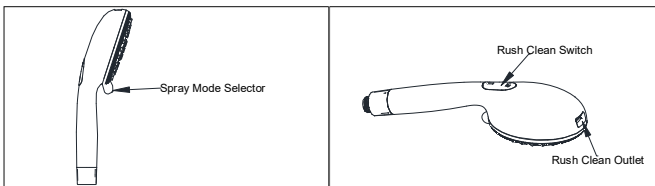
- Massage Mode
- Massage & Full Spray Mode
- Full Spray Mode
- Full Spray & Mist Mode
- Power Mist Mode
- Dot Massage Mode
- Strong Dot Massage Mode
- Trickle Mode
- Top Water Outlet: Rush Clean Spray

(b) How to switch to Rush Clean Outlet:

Locate the Rush Clean switch on the handheld shower.

To change the mode:

- (1) Rotate the adjustment dial left or right to toggle between different spray patterns.
- (2) Each mode is clearly marked on the dial, and you will feel a slight click as the dial locks into the new position.



5. Handheld Shower Usage Guidelines:

(1) This handheld shower includes an anti-scale filter element as a standard feature. The anti-scale filter element is optional to install, allowing users to decide based on their specific needs.

(2) Each anti-scale filter element is designed to function effectively for up to three months or to treat approximately 3 tons of hard water, whichever comes first. To maintain optimal performance, the anti-scale filter element must be replaced once either condition is met.

Replace the Filter as follows:

