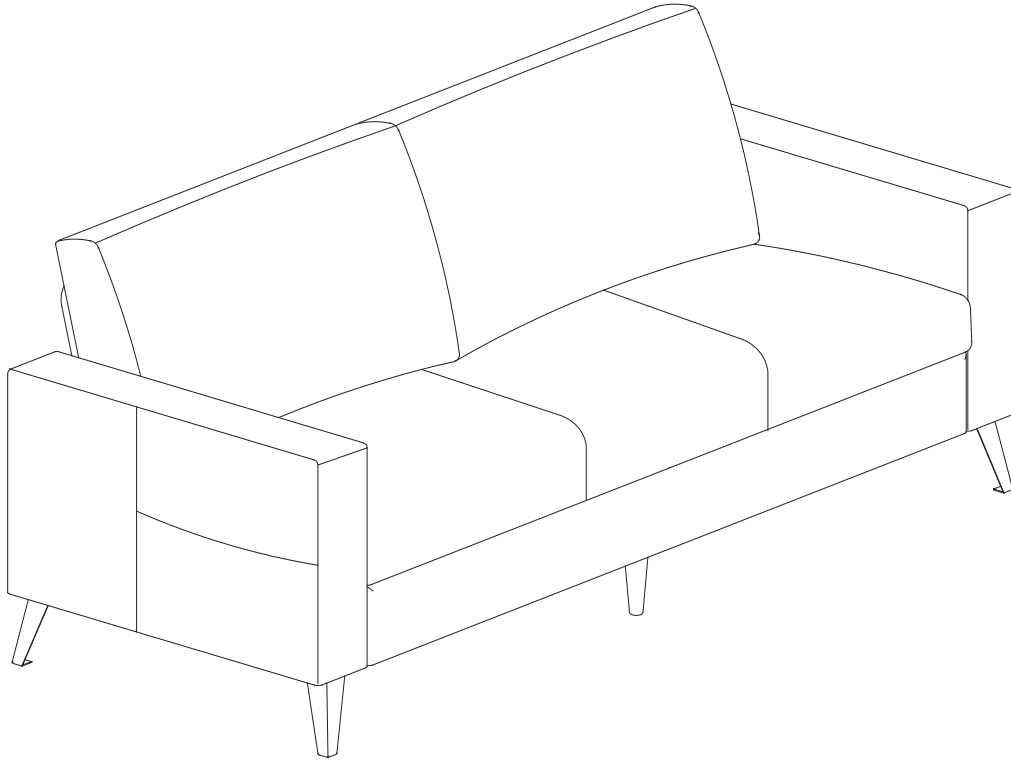


ASSEMBLY INSTRUCTIONS

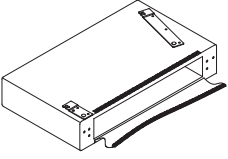
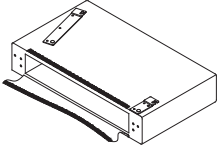
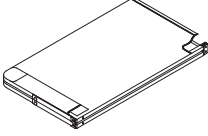
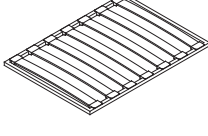
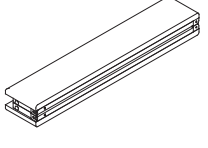
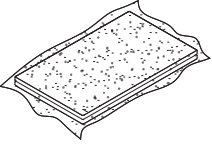
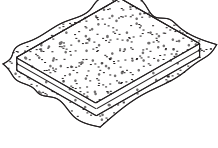
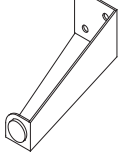
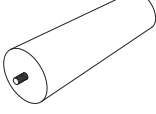
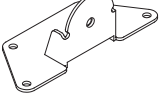
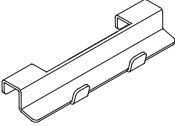
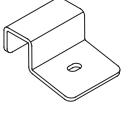
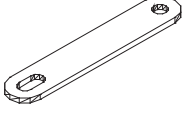
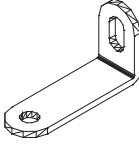

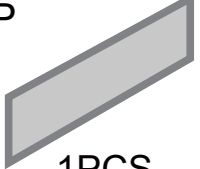
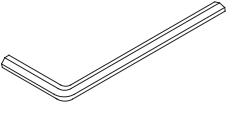
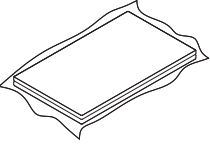
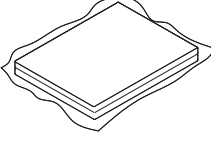
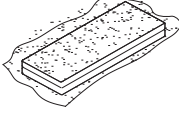
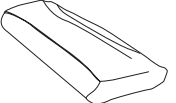
Sectional Sofa



Before You Start

- ⦿ Please read all instructions carefully.
- ⦿ Retain instructions for future reference.
- ⦿ Separate and count all parts and hardware.

- ⦿ Read through each step carefully and follow the proper order.
- ⦿ We recommend that, where possible, all items are assembled near to the area in which they will be placed in use, to avoid moving the product unnecessarily once assembled.
- ⦿ Always place the product on a flat, steady and stable surface.
- ⦿ Keep all small parts and packaging materials for this product away from babies and children as they potentially pose a serious choking hazard.

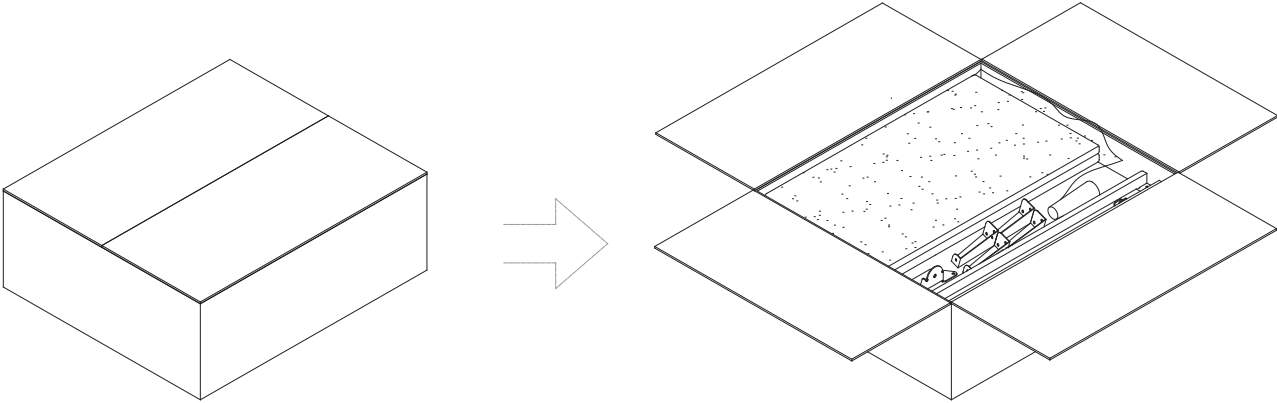
Parts List				
<p>A.</p>  <p>1PCS</p>	<p>A1.</p>  <p>1PCS</p>	<p>B.</p>  <p>1PCS</p>	<p>C.</p>  <p>2PCS</p>	<p>D.</p>  <p>1PCS</p>
<p>E.</p>  <p>Backrest Cover 2PCS</p>	<p>F.</p>  <p>Seat Cover 3PCS</p>	<p>G.</p>  <p>4PCS</p>	<p>H.</p>  <p>1PCS</p>	<p>I.</p>  <p>1PCS</p>
<p>J.</p>  <p>1PCS</p>	<p>K.</p>  <p>2PCS</p>	<p>L.</p>  <p>2PCS</p>	<p>M.</p>  <p>2PCS</p>	<p>N.</p>  <p>22PCS</p>
				<p>P</p>  <p>1PCS</p>
<p>O.</p>  <p>1PCS</p>	<p>e.</p>  <p>Backrest Insert 2PCS</p>	<p>f.</p>  <p>Seat Foam 2PCS</p>	<p>g.</p>  <p>Seat Foam Piece 2PCS</p>	<p>Q</p>  <p>Seat Cover(White) 1PCS</p>

All accessories are in ONE box.

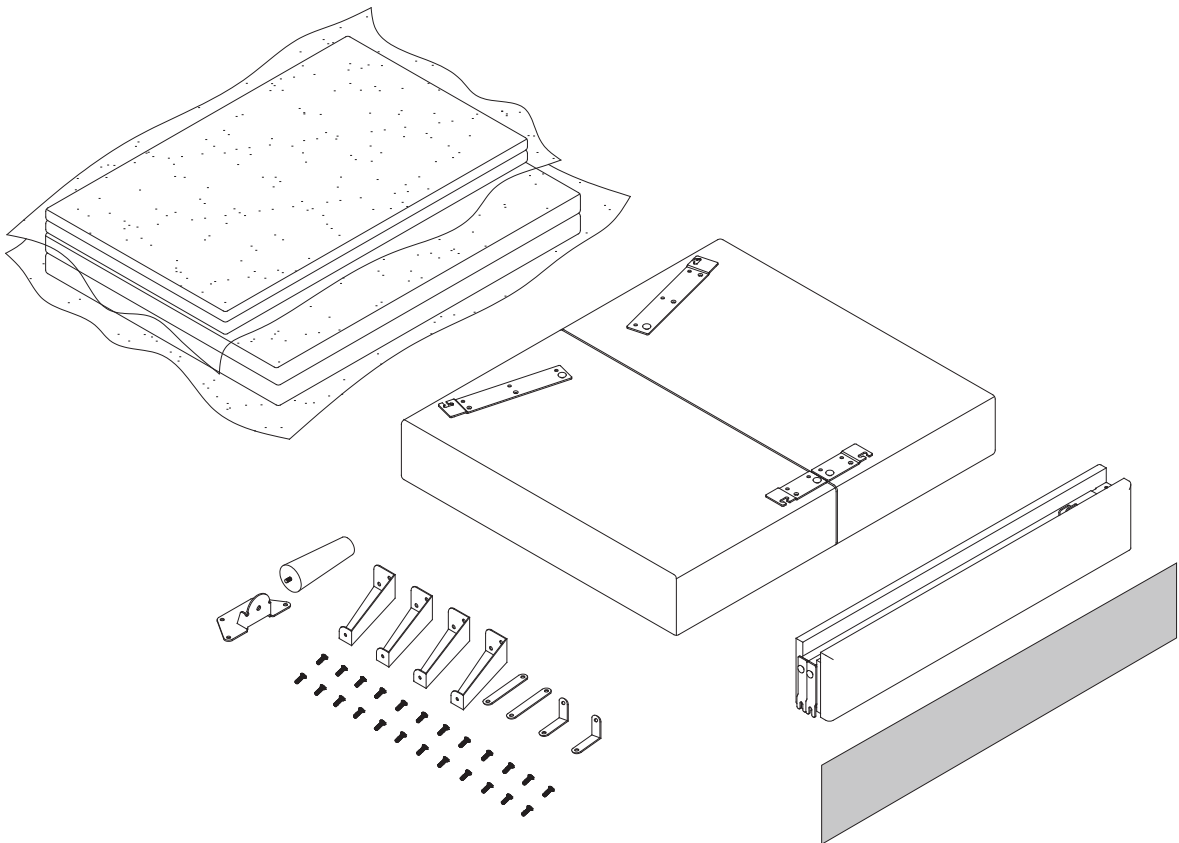
Contact us freely if there is any problem.

- 1.If there is any damage, please send clear photos about damaged part to us as attachment, we will check and offer you best solution soon.
- 2.We are concerned about each customer's experience, if there is any loss or damage, please contact us at any time, we will provide effective solutions.
- 3.It is recommended to assemble more than two people, so that you will be very relaxed.

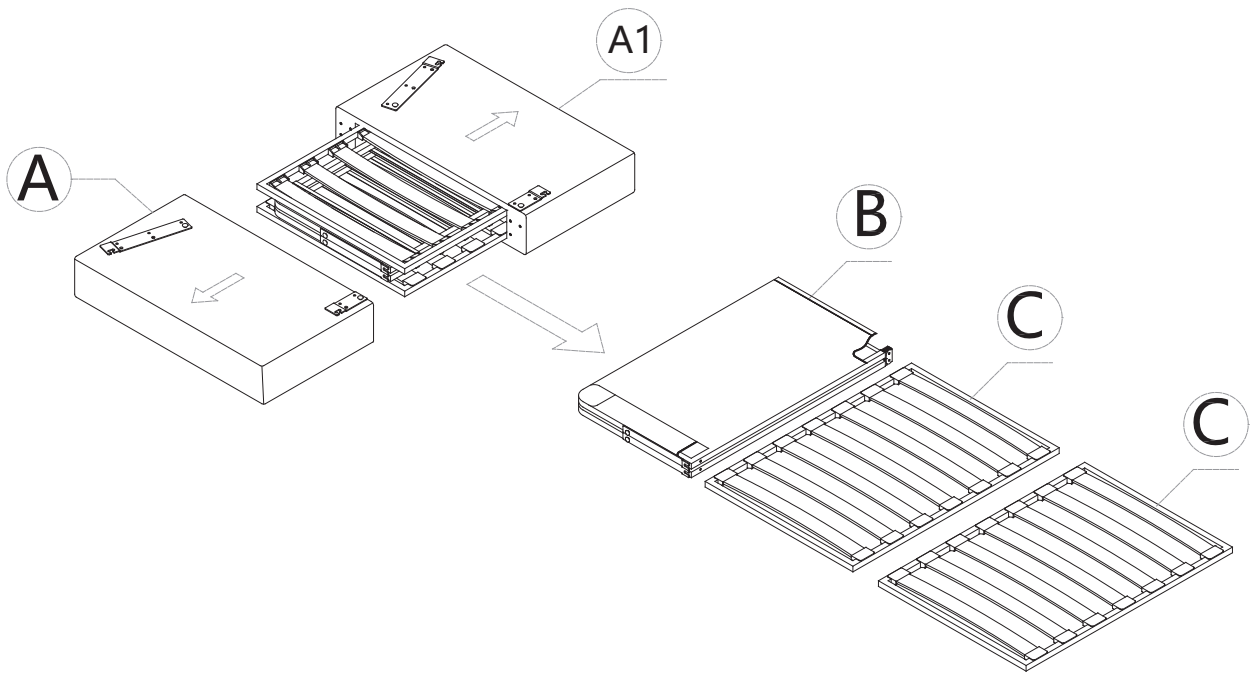
STEP1



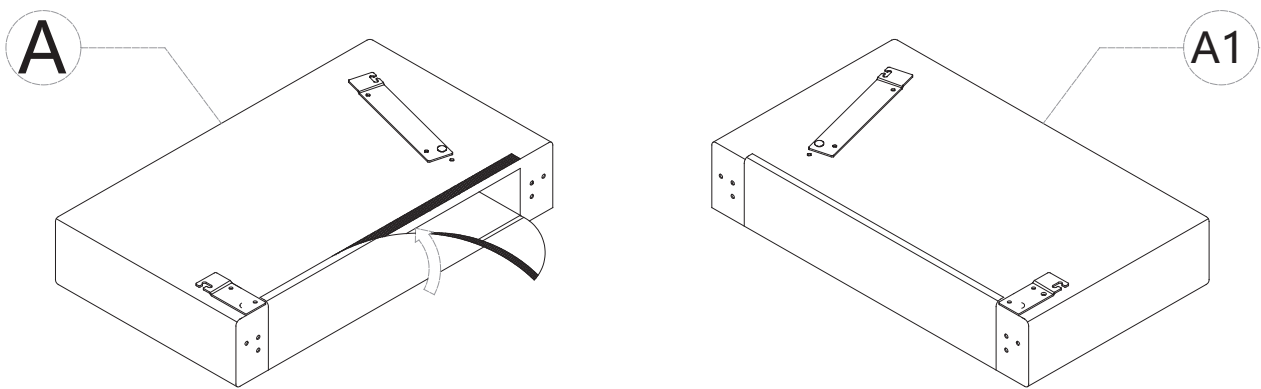
STEP2



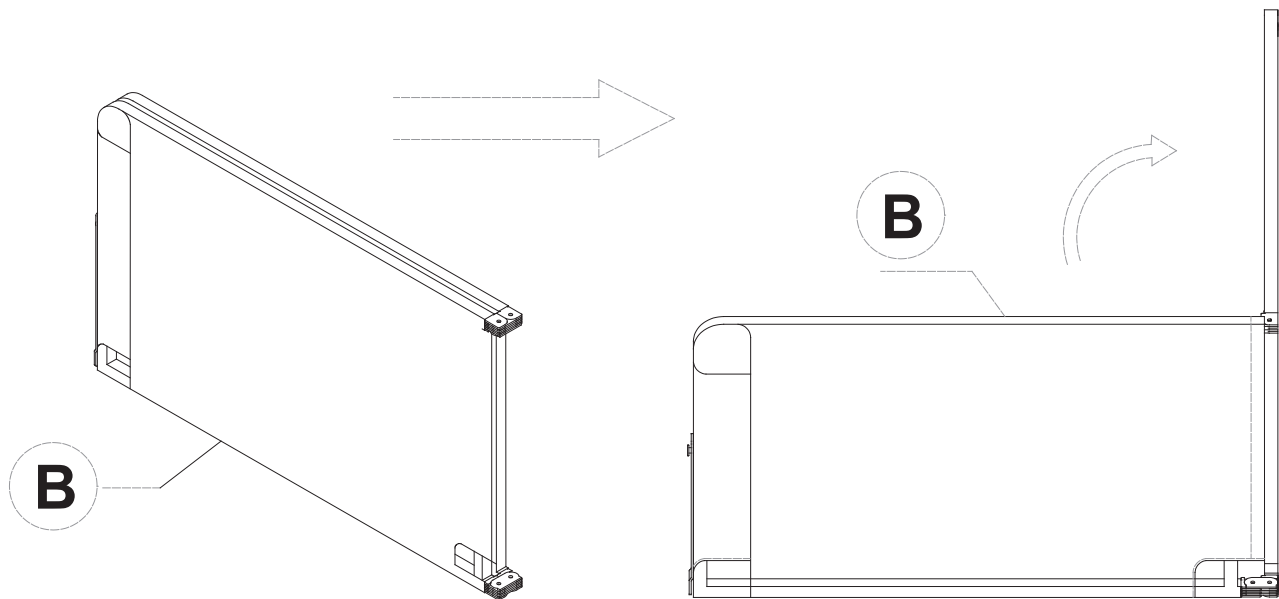
STEP3



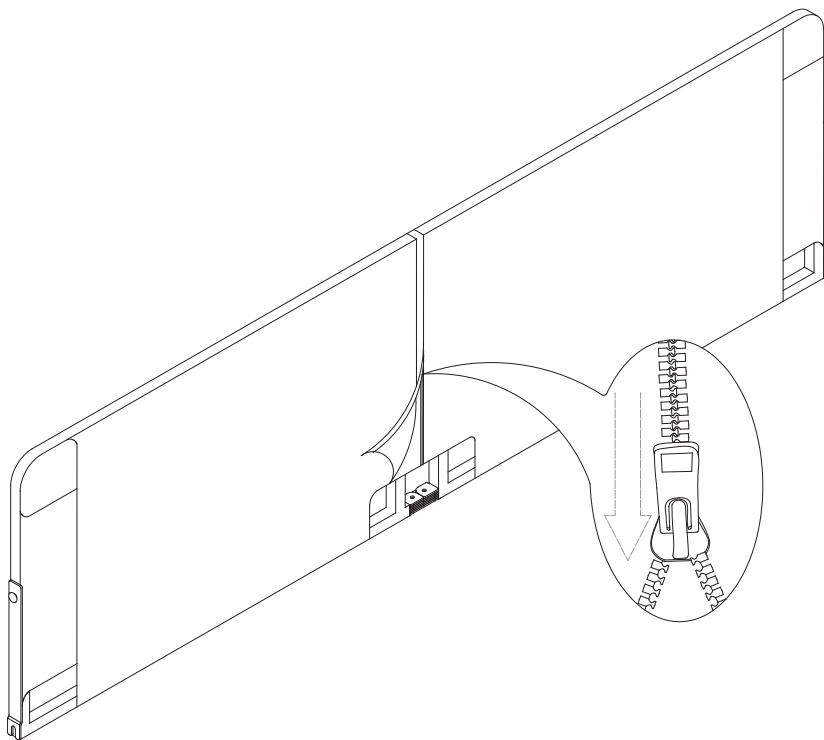
STEP4



STEP5

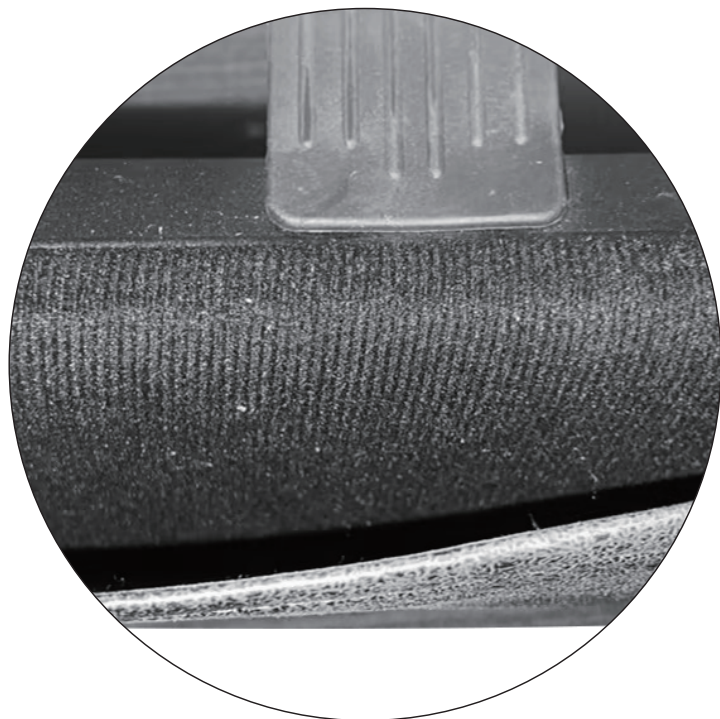
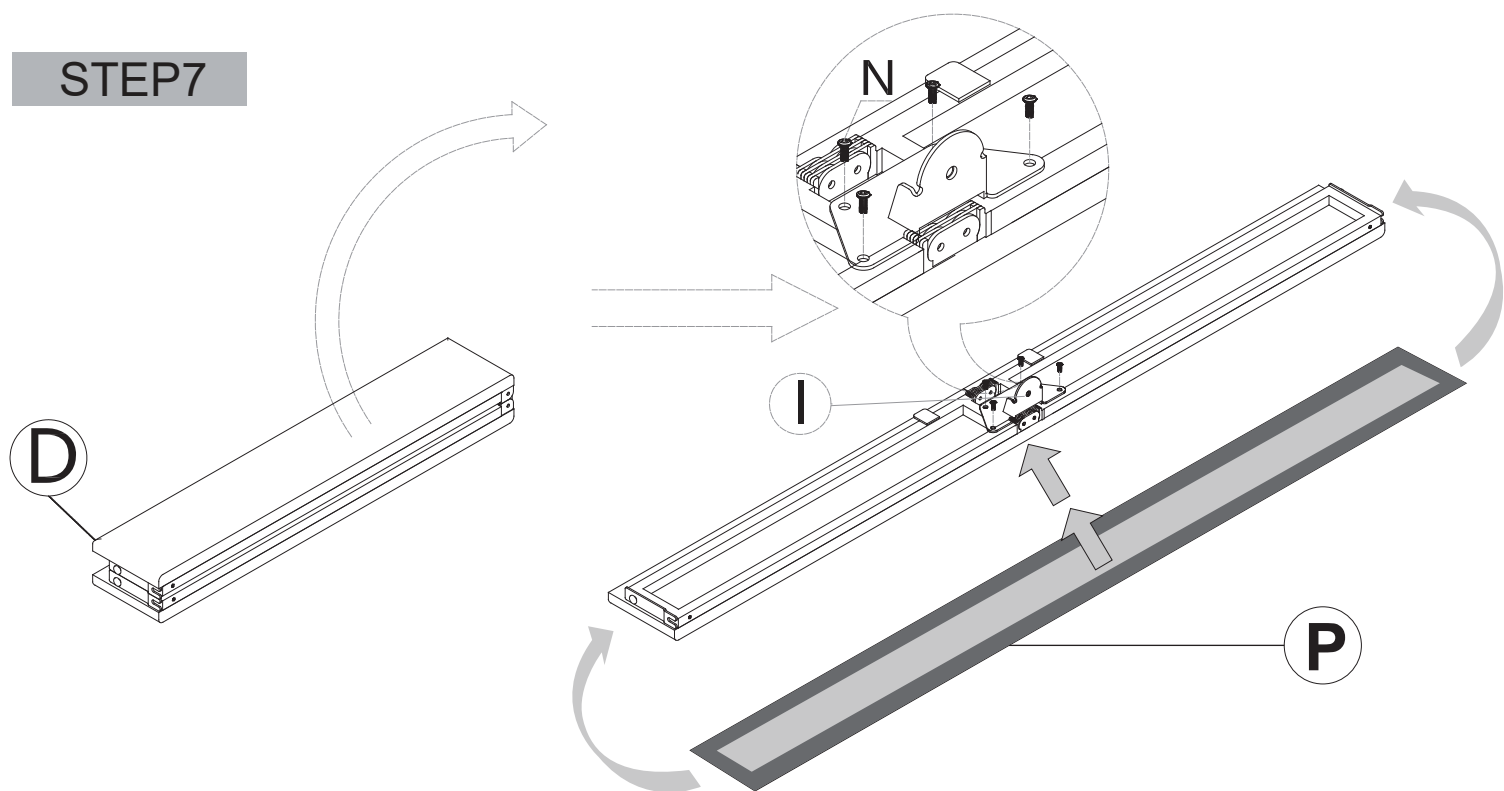


STEP6



Attn: If you want to fold Part B again, you need to take care that the zipper is not crushed by the parts at the red circle when folding.

STEP 7

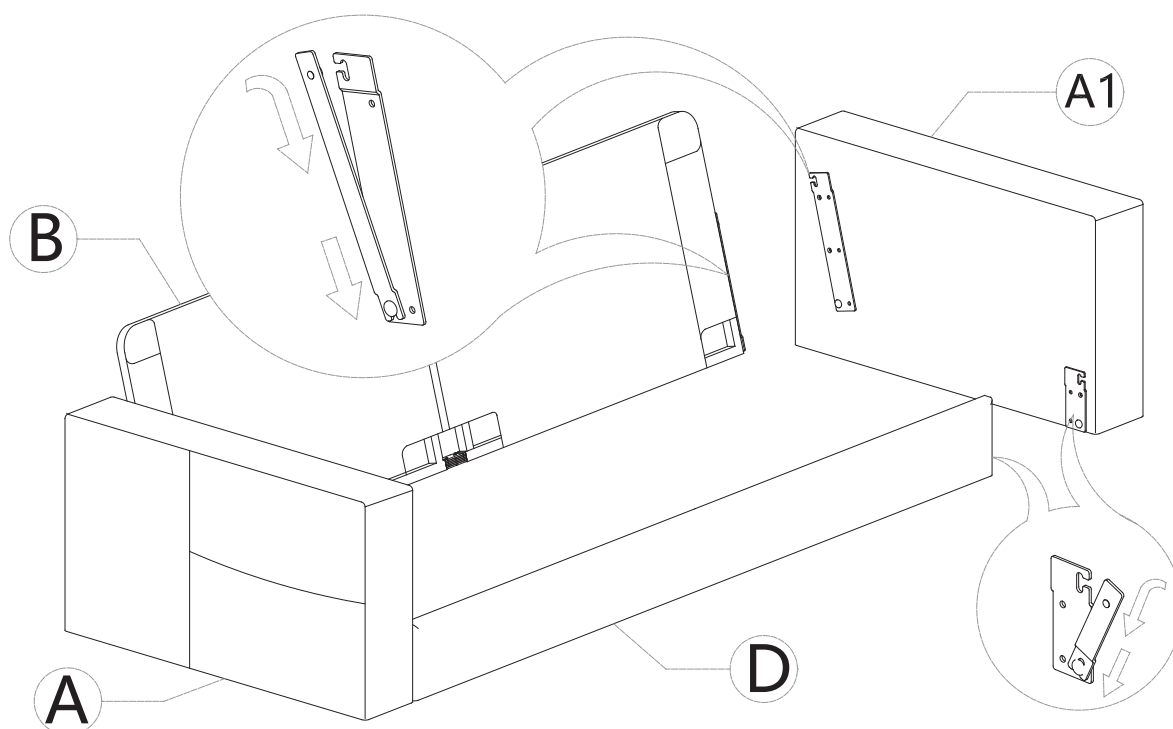


Assembly Tip: Unfold the seat front damper (Part D) and install the center unit (Part I). Peel Velcro's backing and stick it to unfolded seat front damper (Part D). Stretch the front sofa cover (Part P) and attach it to the Velcro.

Attn: The front sofa cover (Part P) must be fully unfolded and stretched to avoid failing to fully wrap both ends of the seat front damper (Part D).

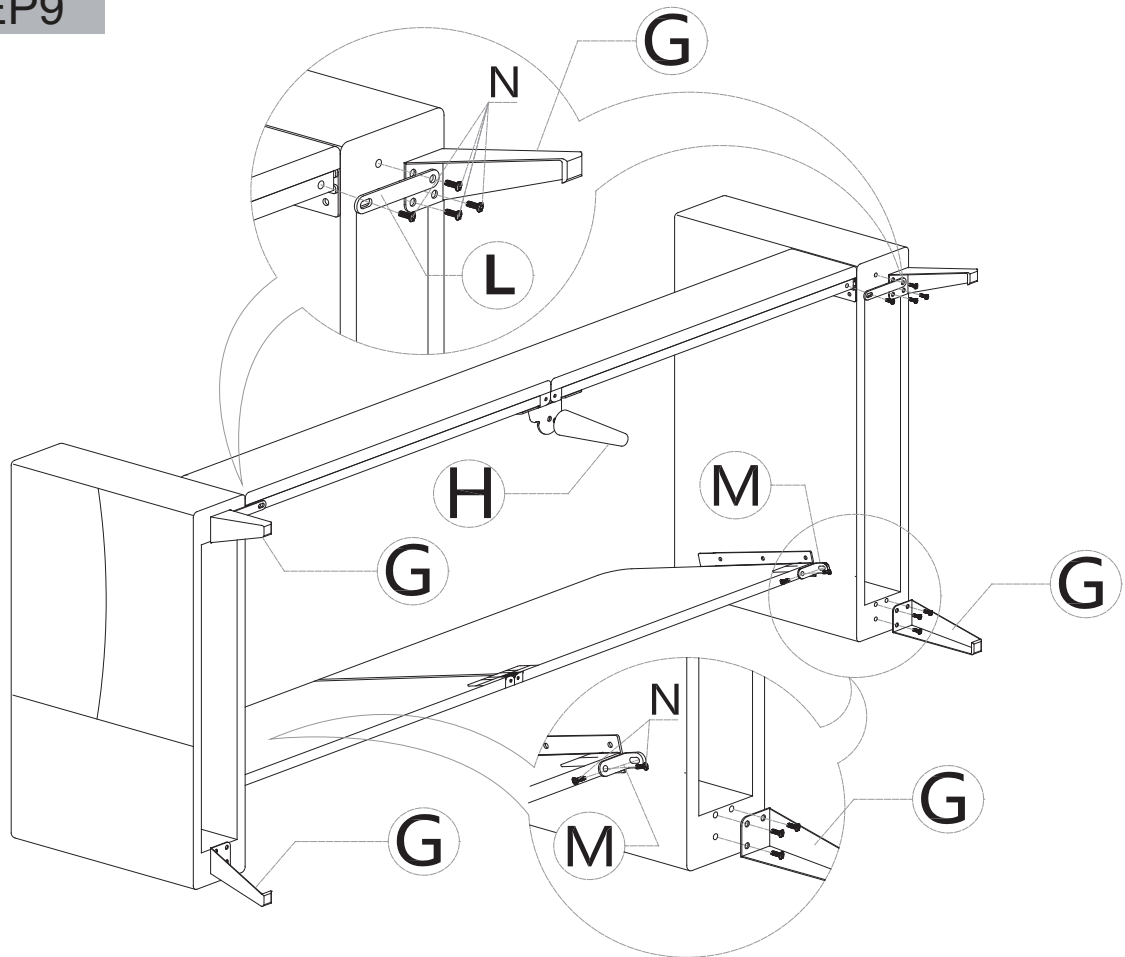
STEP8

Assemble Tip: Insert the latches on both sides of the back rest (Part B) into the sliding rails of the armrests (Part A and A1) at the same time, after the bottom screws on both sides are attached, then the upper screws. (It is suggested that two people install them to ensure simultaneity, or it may cause another side of the latch can't be attached) Last press down on the backrest to secure it completely. After the back rest is assembled, Repeat the same steps for Part D.



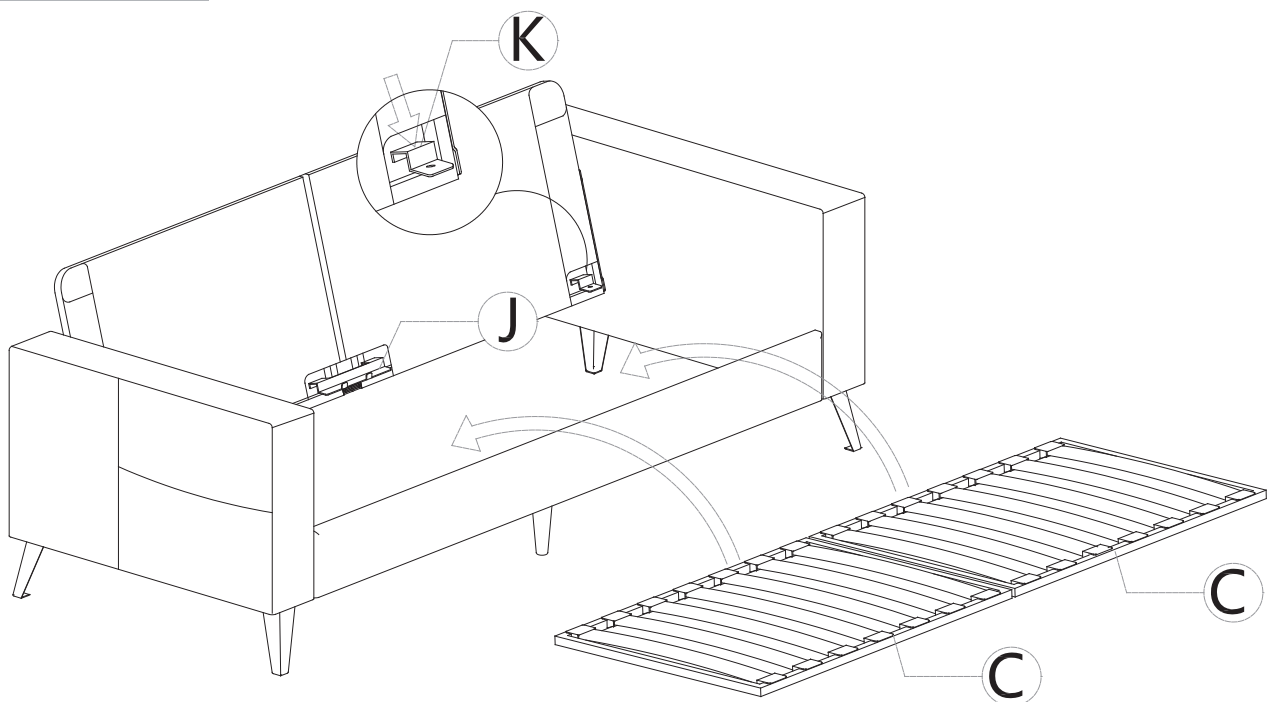
Attn: If you find it's difficult to attach the upper screws to the sliding rails after the bottom screws are attached, please pat the backrest upward to align the upper screws with the sliding rails.

STEP9



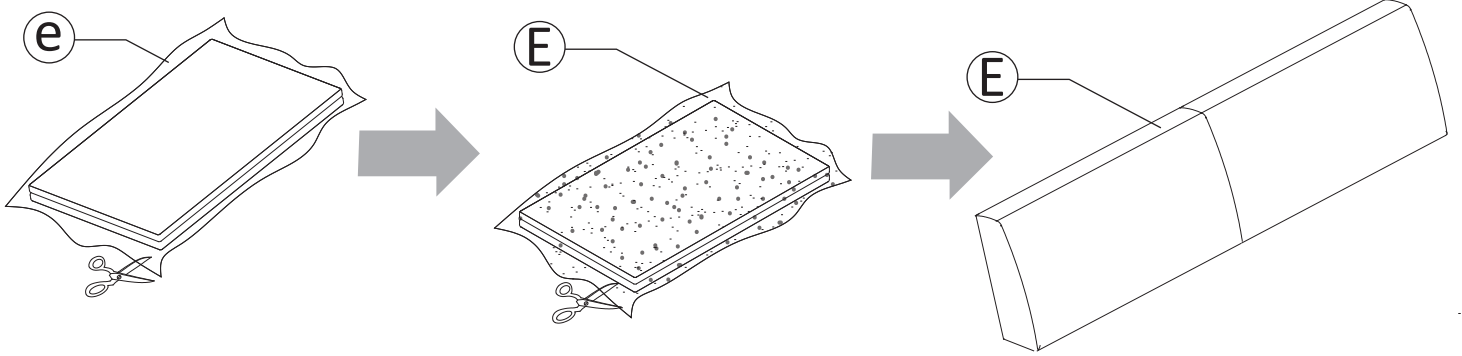
Attn: Pay attention to the direction of each Part G. Don't forget to attach the small Piece L on Part G at the front armrest, both fixed on the bottom of the armrest.

STEP10

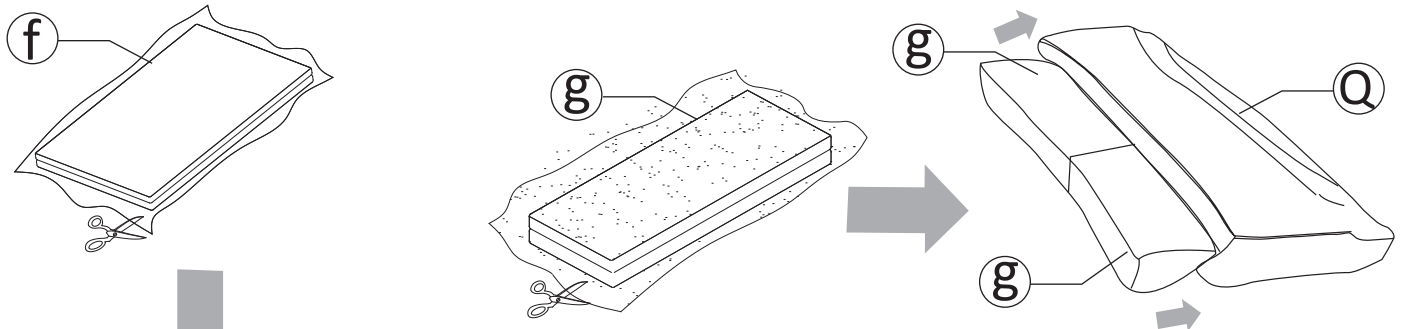


Assemble Tip: If you find difficult to install the Part J, suggest you to use a rubber hammer or something else to hit the edge of the Part J to let it attached.

STEP11

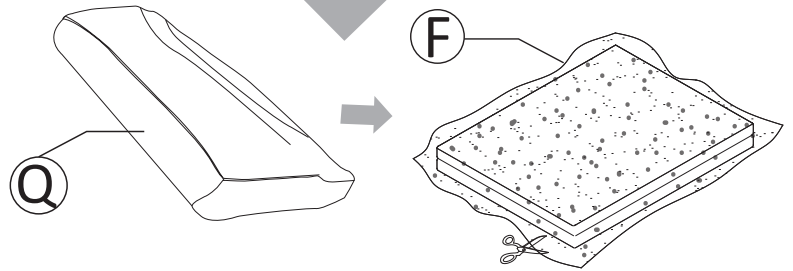


Put e(Backrest) into E(Backrest Cover) ×2

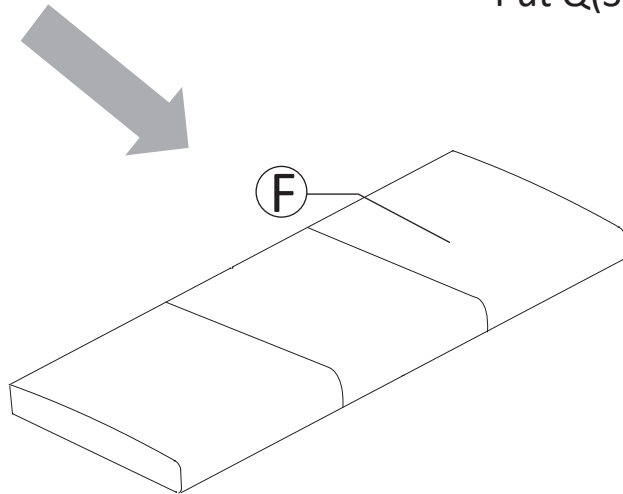


Put g(Seat Foam Pieces) ×2 into Q
(Seat Cover (White)) ×1

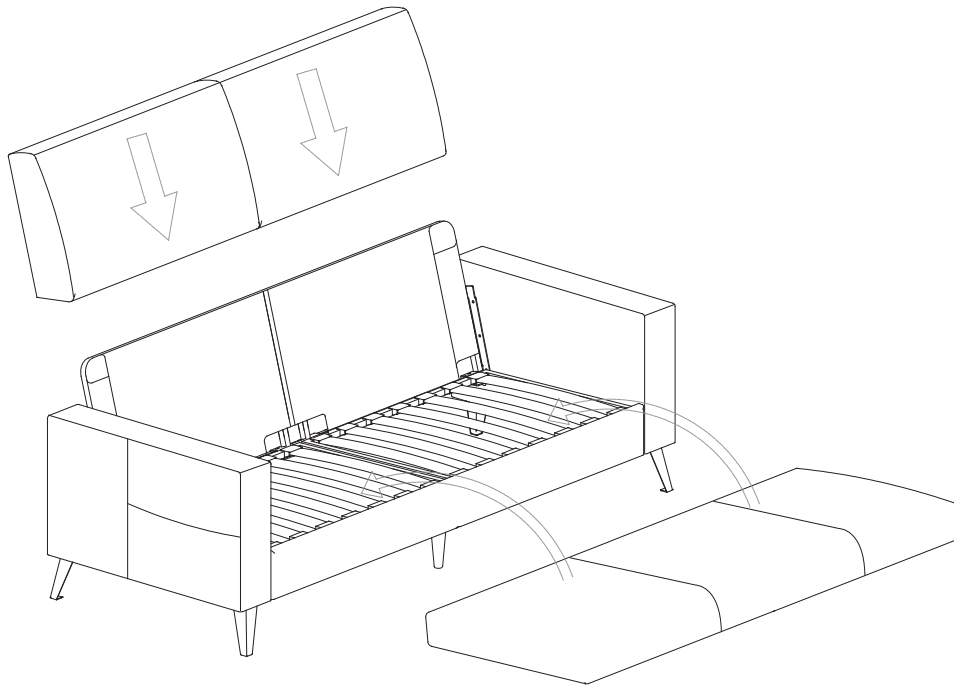
Put f(Seat Foam) into
F(Seat Cover)×2



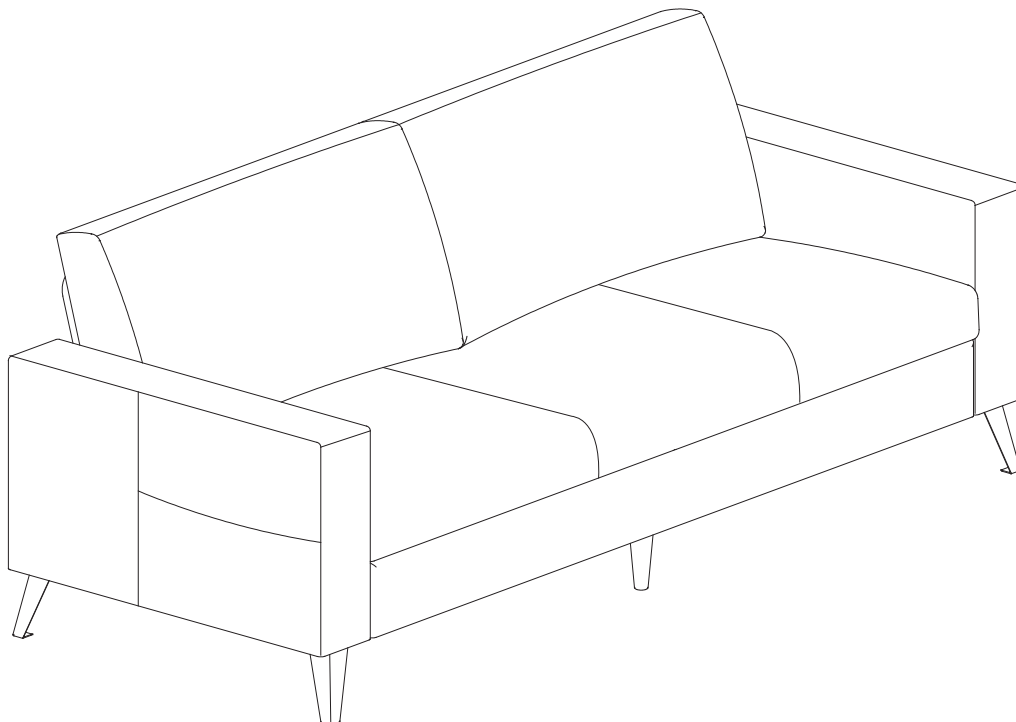
Put Q(Seat Cover (White)) ×1 into F
(Seat Cover) ×1



STEP12



STEP13



This sofa is very easy to maintain, it is recommended to use a wet cloth to wipe the stains.

Do not hesitate to contact us if you have any questions, we will reply within 24h.

1.Q: Some parts were damaged upon arrival. What should I do?

A: We're truly sorry for the inconvenience. Please send us clear photos of the damaged parts as attachments. We'll promptly assess the situation and provide you with the best possible solution.

2.Q: What if I find a few parts missing when I receive the package?

A: Please check the packaging thoroughly, including all small compartments and corners, as parts may be tucked away. If you're sure some parts are missing, contact our customer support right away. Describe the missing parts and send some photos of the installation. We'll promptly arrange to send the missing parts to you.

3.Q: My sofa cushion looks thin, not fluffy, and not very comfortable to sit on. What should I do?

A: The newly received sponge cushion may appear thin and less fluffy due to tight compression during vacuum packaging and transportation. To restore its fluffiness and comfort, place the mat in a well-ventilated area. Because sponges have the characteristic of slow rebound, it may take several hours to a day. You can also pat and knead the sponge to let in more air. Rest assured, the sponge will fully expand and regain its fluffy state, giving you a comfortable sitting experience.

4.Q: The cushions move easily when I sit on them. How can I fix this?

A: We understand your concern about the cushions sliding. Please try the following solutions. First, kindly adjust the seat cushions to make sure they are perfectly centered and evenly placed on the seat. Incorrect positioning can reduce friction. Second, please check that both the surface of the cushions and the area where they contact the seat are clean and dry, as any debris or moisture may decrease friction.

5.Q: I'm having difficulties when connecting the front panel and backrest with the side panels during the sofa installation. What should I do?

A: Please follow these steps to make it easier. First, attach the backrest piece. Then, attach the front panel of the frame. Connect the two sections to the bottom areas. Next, gently adjust the panel so that the black knob aligns with the hook, and then press it in. You should hear a clicking sound indicating it's properly secured. We hope this helps simplify the assembly for you.