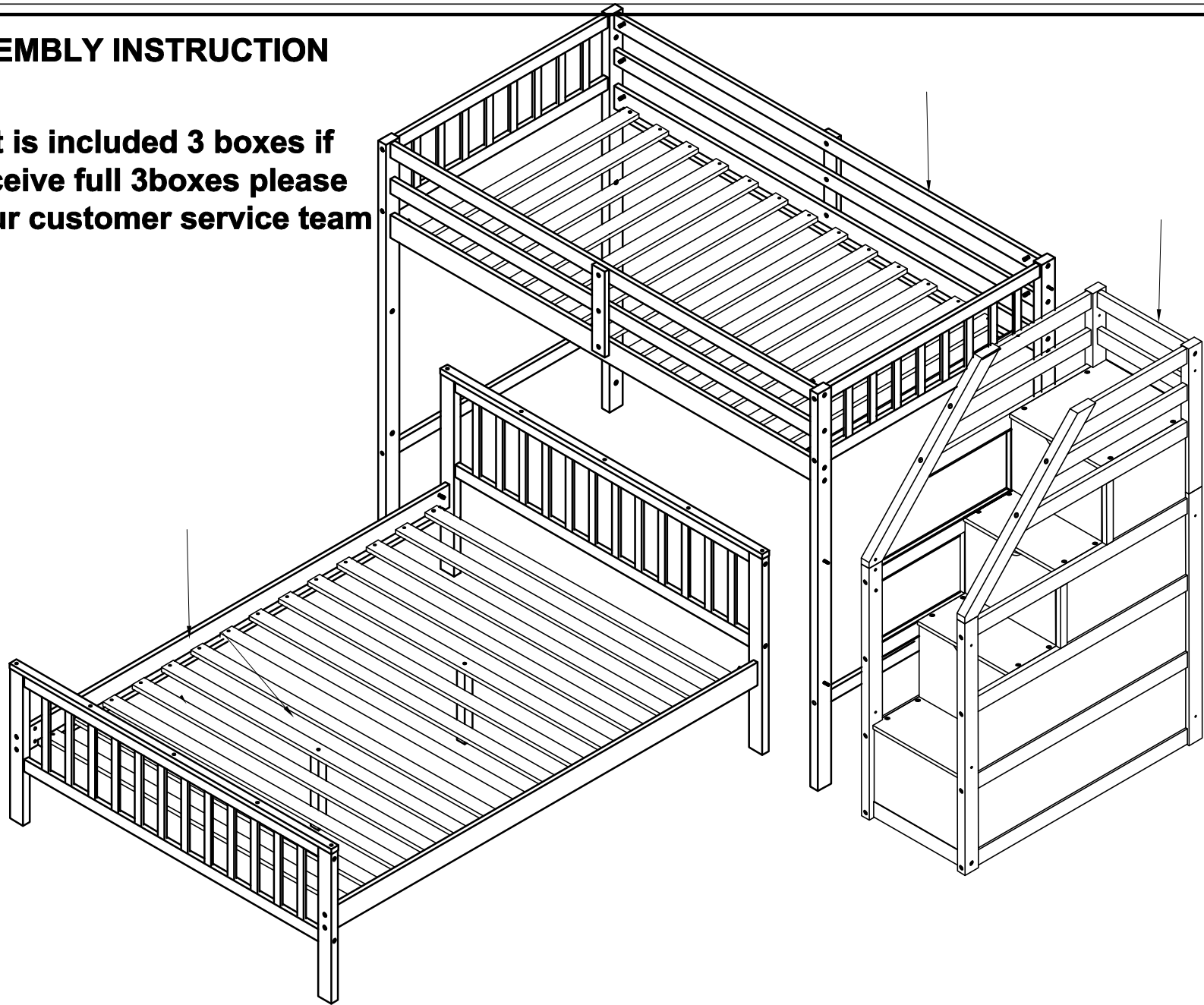


ASSEMBLY INSTRUCTION

**This set is included 3 boxes if
don't receive full 3boxes please
contact our customer service team**



! SAFETY WARNINGS !

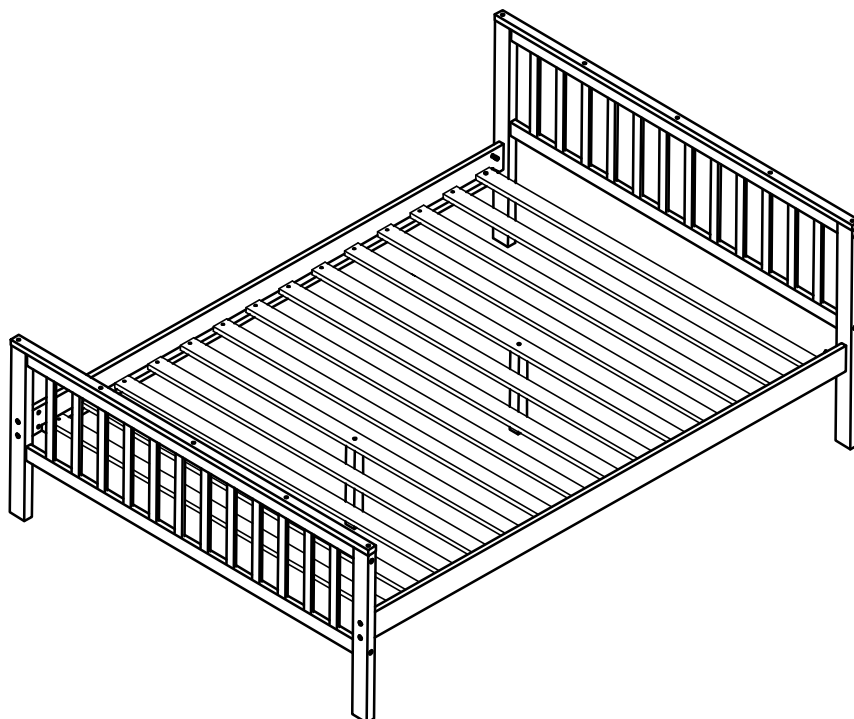
1. This bed is designed for use only mattress(es) meeting the following specifications on the upper bunk, and lower bunk:

Bed Type	Length	Width	Thickness
<i>Twin Standard</i>	<i>74" - 75"</i>	<i>38 1/2"</i>	<i>6" max</i>
<i>Full Standard</i>	<i>74" - 75"</i>	<i>53 1/2 "</i>	<i>6" max</i>

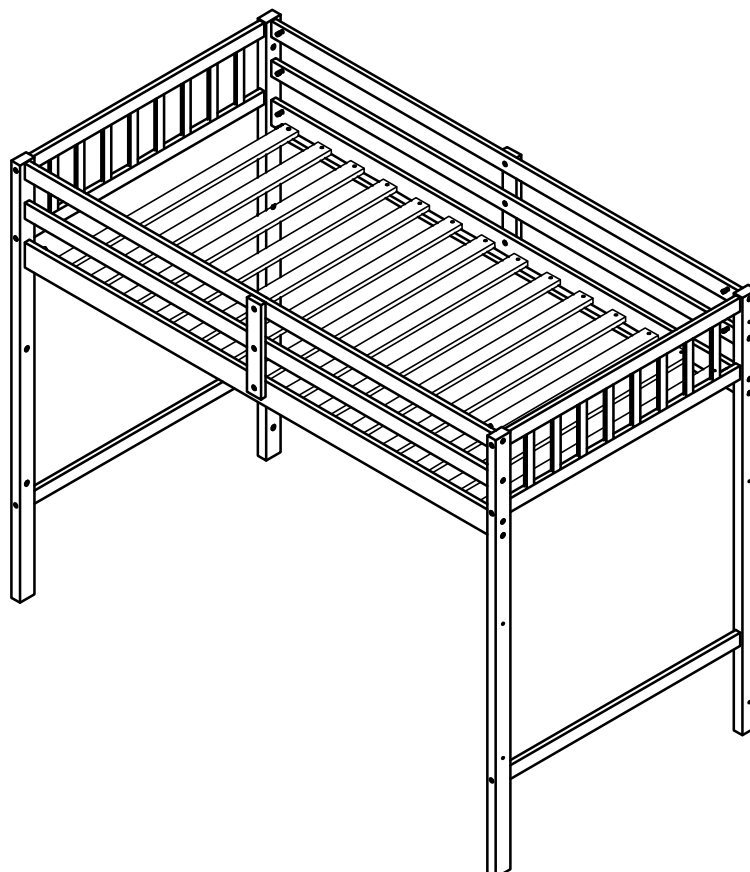
2. Replacement parts, including additional guardrails, may be obtained from any of our dealers
3. Follow the information on the warnings appearing on the upper bunk bed end structure and on the carton. Do not remove warning label from bed.
4. Always use the recommended size mattresses or mattress supports, or both, to help prevent the likelihood of entrapment or falls.
5. Surface of the mattress must be at least 5 in. (127 mm) below the upper edge of guardrails.
6. Do not allow children under 6 years of age to use the upper bunk.
7. Periodically check and ensure that the guardrail, ladder, and other components are in their proper position, free from damage, and that all connectors are tight.
8. Do not allow horseplay on or under the bed and prohibit jumping on the bed
9. Always use the ladder for entering and leaving the upper bunk.
10. Do not use substitute parts. Contact the manufacturer or dealer for replacement parts.
11. Use of a night light may provided added safety precaution for a child using the upper bunk.
12. Always use guardrails on both long sides of the upper bunk. If the bunk bed will be placed next to the wall, the guardrail that runs the full length of the bed should be placed against the wall to prevent entrapment between the bed and wall.
13. The use of water or sleep flotation mattresses is prohibited.
14. **STRANGULATION HAZARD** – Never attach or hang items to any part of the bunk bed that are not designed for use with the bed; for example, but not limited to, hook, belts and jump ropes.
15. Keep these instructions for future reference

HOW TO COMPLETE YOUR SET

STEP 1: Complete Assembly Bottom Full Bed

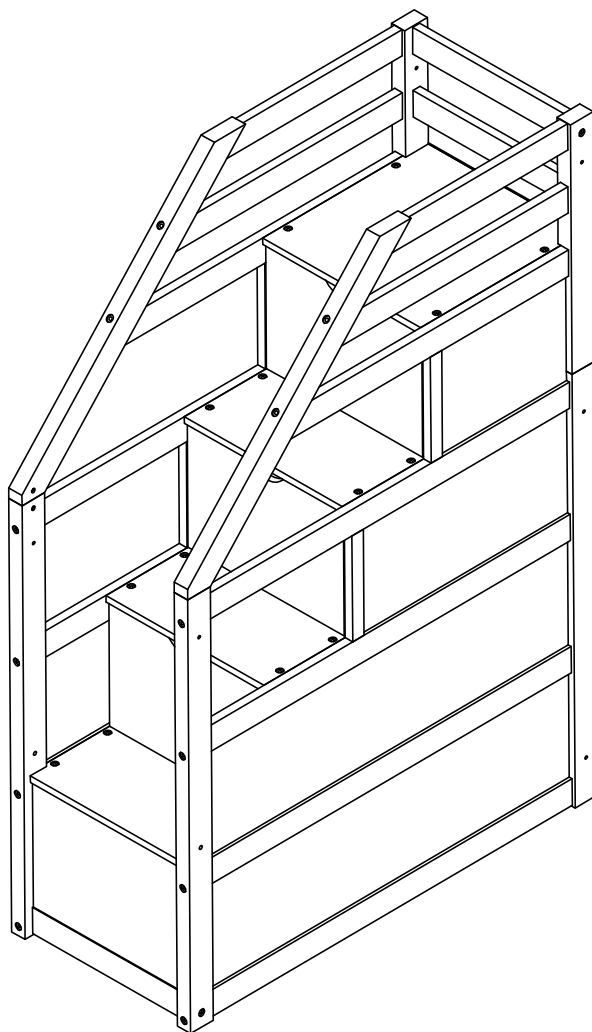


STEP 2: Complete Assembly Upper Twin Bed



HOW TO COMPLETE YOUR SET

STEP 3: Complete Assembly Storage Stair Case



STEP 4: Use Hardware part 7
Left or Right side of Bundbed

and

to connect Storage Staircase to

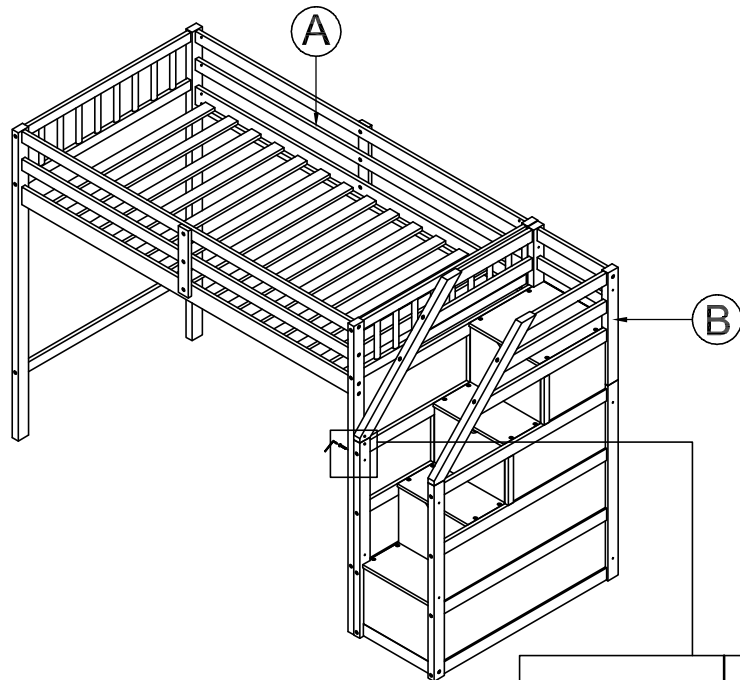
7



5PCS

The Staircase can be use on both left or right side, please
follow below instruction to assembly either right or left side

Right Side



Left Sight

