

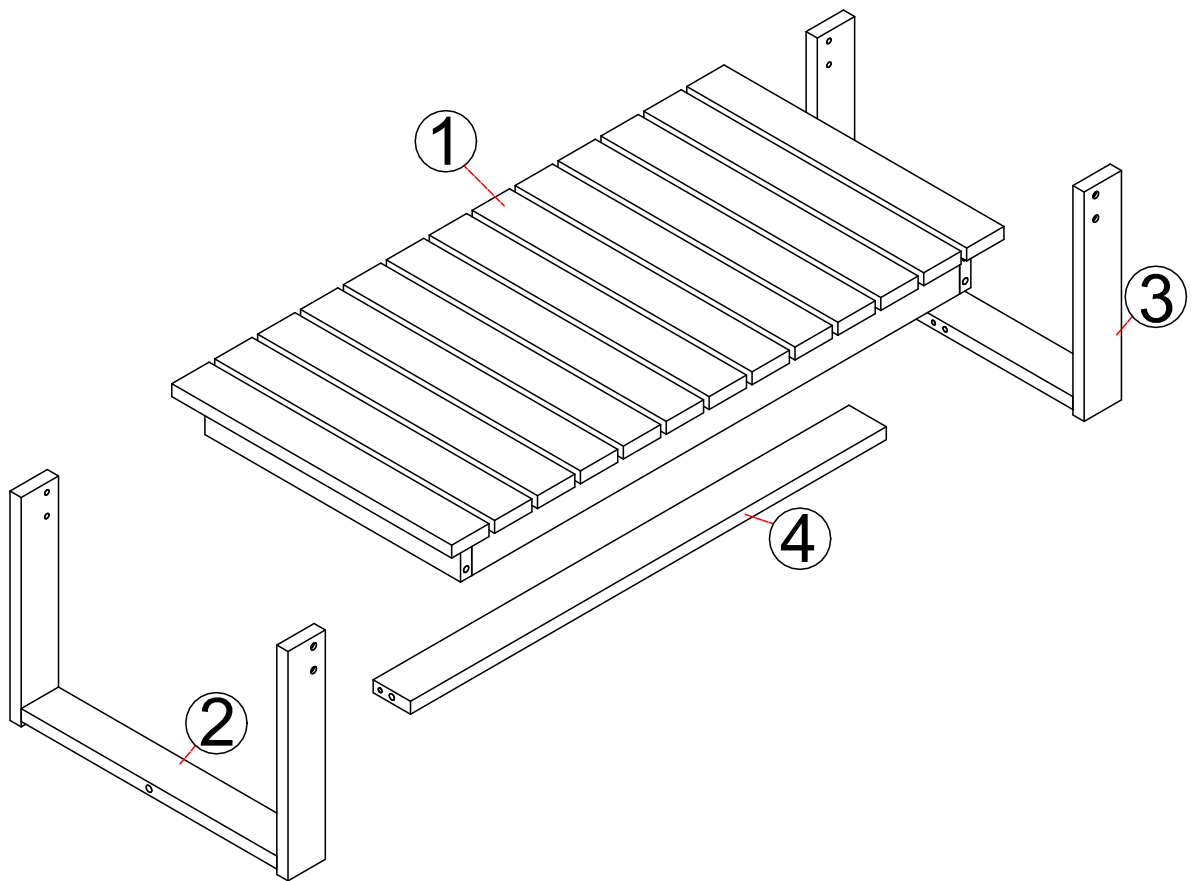
INSTRUCTION MANUAL

Loosely assemble before tightening.
IF YOU PURCHASED THE RECTANGULAR COFFEE TABLE ONLINE AND HAVE ANY
QUESTIONS OR CONCERNS
PLEASE CONTACT US VIA EMAIL, TEXT, OR PHONE

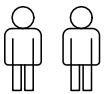
EMAIL: service2outdoor@gmail.com
TEXT: +1 628-263-4608 (TEXT ONLY)
PHONE: +1 877-561-6450
Warranty period: 180 days

Lost accessories or parts costs will be incurred after 90 days of the date of purchase.

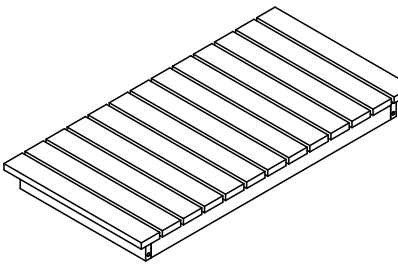
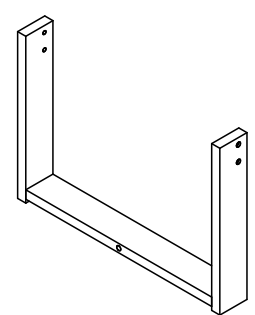
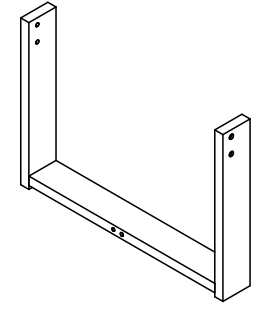
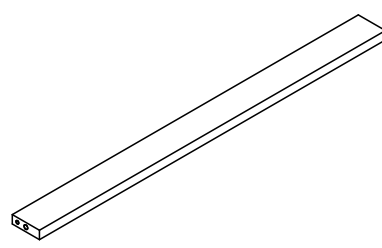
Assembly Instruction



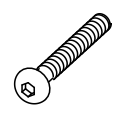
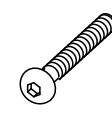
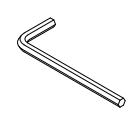
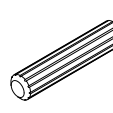
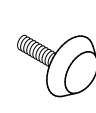
2 PERSONS



PARTS LIST

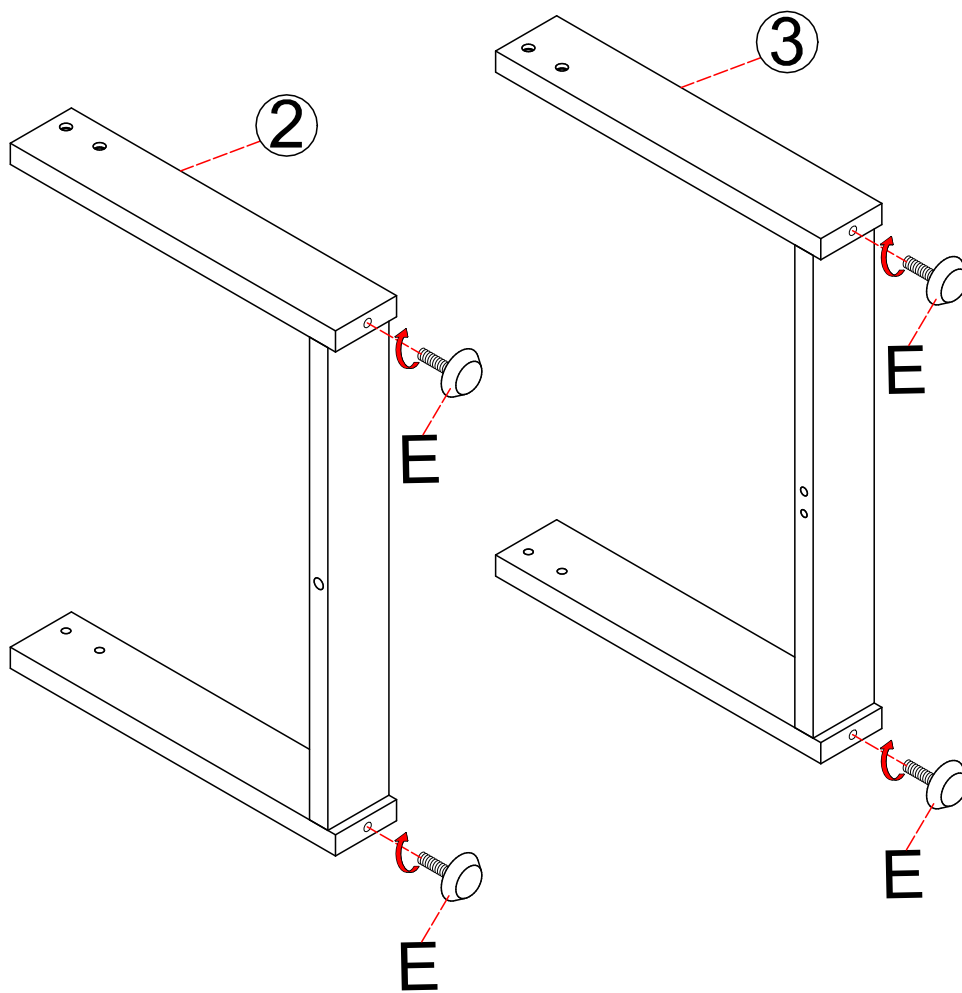
<p>①</p>  <p>1PC</p>	<p>②</p>  <p>1PC</p>	<p>③</p>  <p>1PC</p>
<p>④</p>  <p>1PC</p>		

HARDWARE LIST

<p>A</p>  <p>M6x40mm 8PCS</p>	<p>B</p>  <p>M6x60mm 2PCS</p>	<p>C</p>  <p>1PC</p>	<p>D</p>  <p>8x30mm 2PCS</p>	<p>E</p>  <p>4PCS</p>
--	--	---	--	--




STEPS

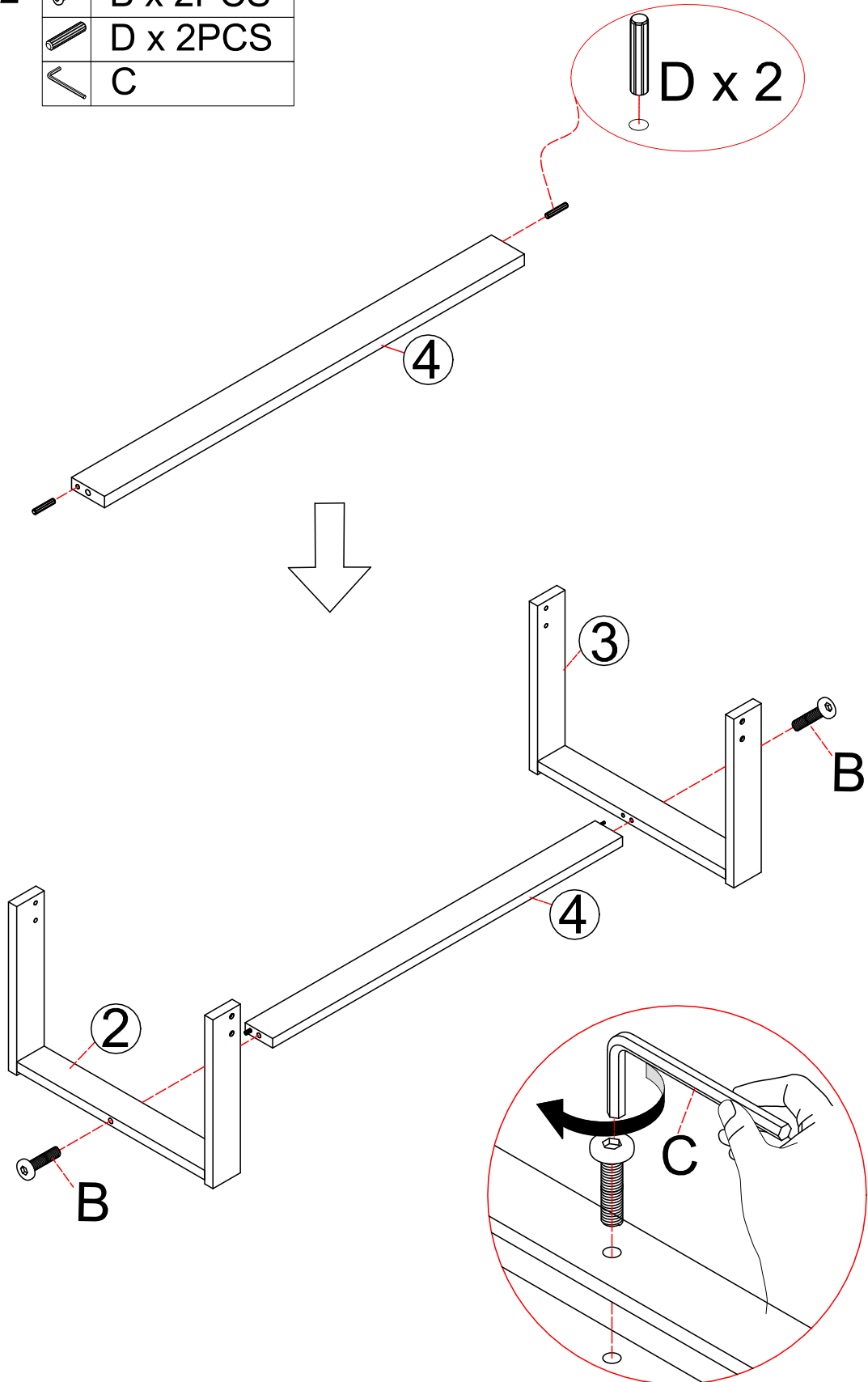
STEP-1  E x 4PCS



STEPS

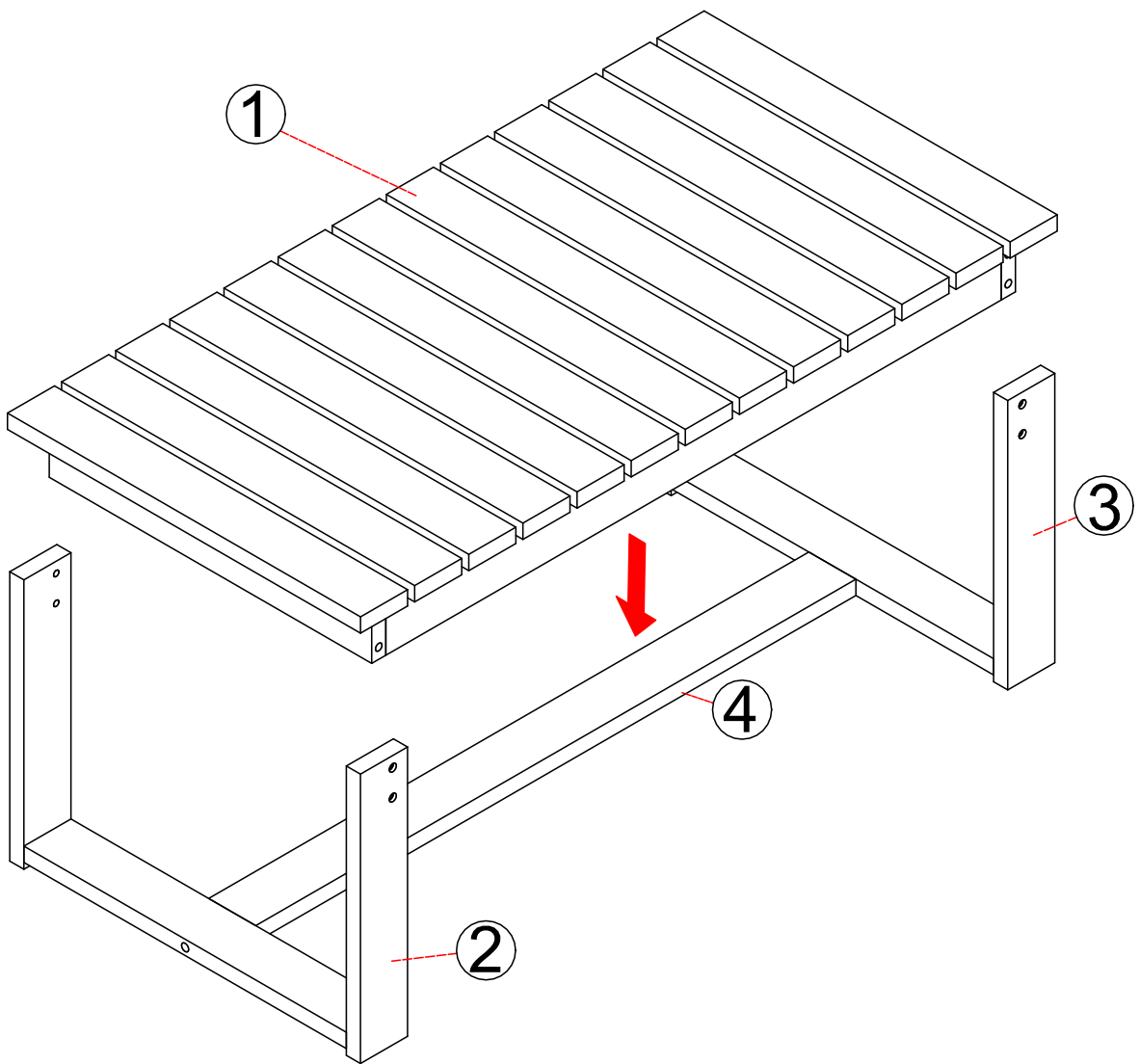
STEP-2

	B x 2PCS
	D x 2PCS
	C



STEPS

STEP-3



STEPS

STEP-4

	A x 8PCS
	C

