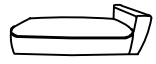


YMX-11

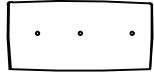
Accessories list



Seat frame(1)



Right armrest(1)



Backrest(1)



Pillow(2)



Sofa foot(4)
A



Screw(4)
B



Gasket(4)
C



Wrench(1)
D

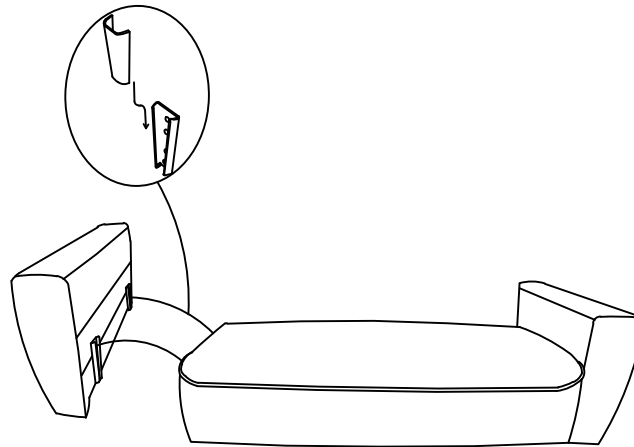


Bolt (2)
E

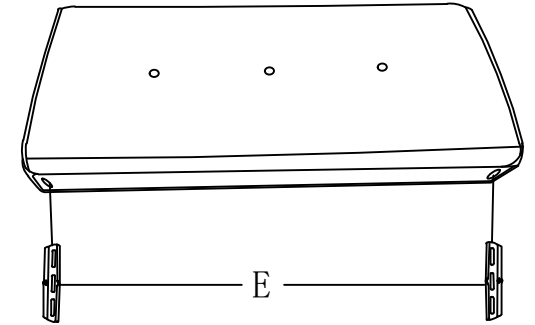


Felt pad(4)
F

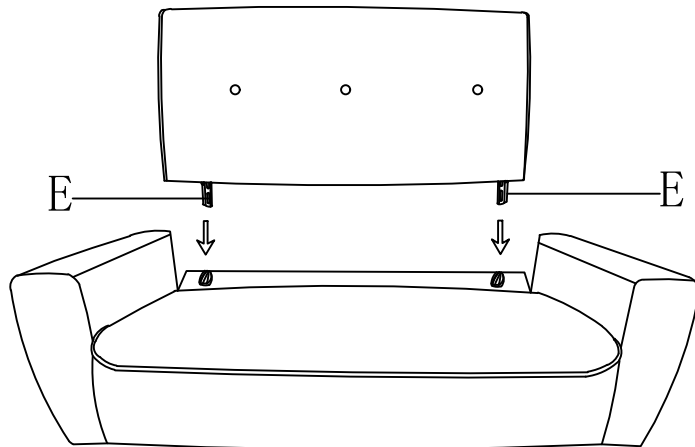
STEP 1:
Insert the armrest into the
seat frame



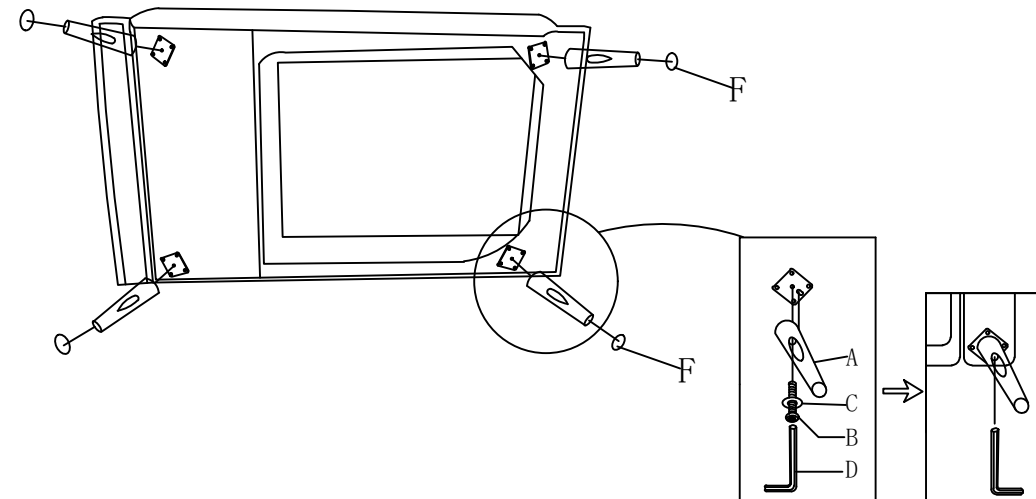
STEP 2:
Insert the bolt into the
backrest



STEP 3:
Insert the backrest into the seat frame



STEP 4:
Install the sofa feet on the seat frame



Assembly completed

