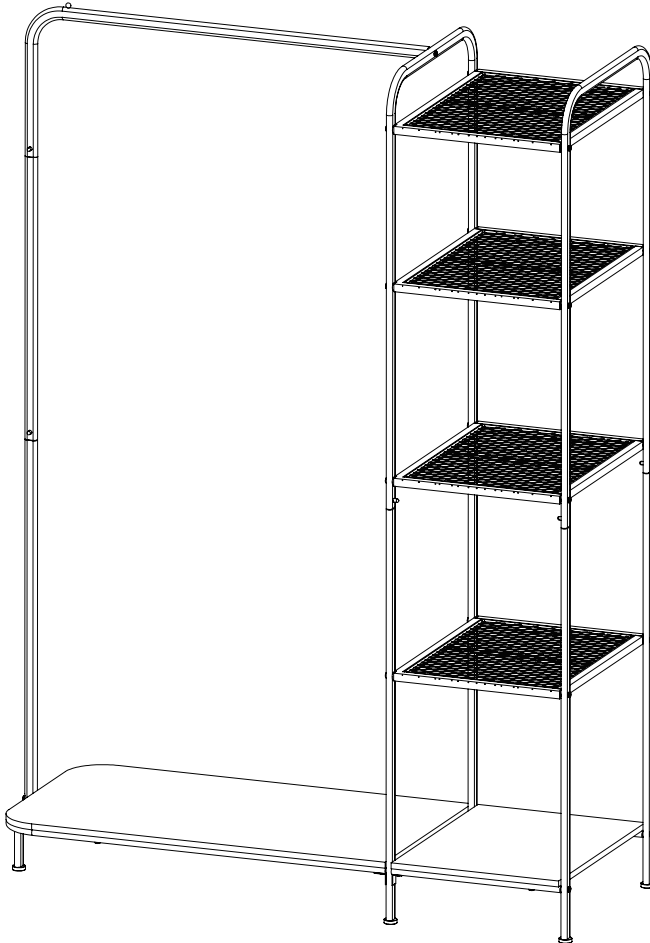




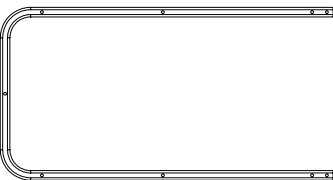
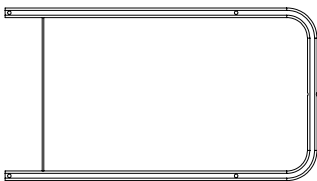





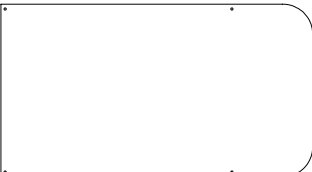
WRD-09850

open closet wardrobe


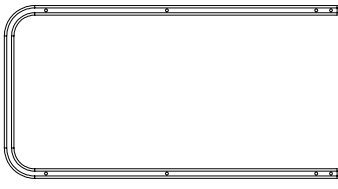
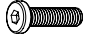


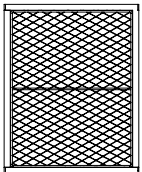
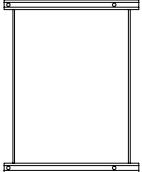



48 in L x 18 in W x 68 in H

PARTS LIST

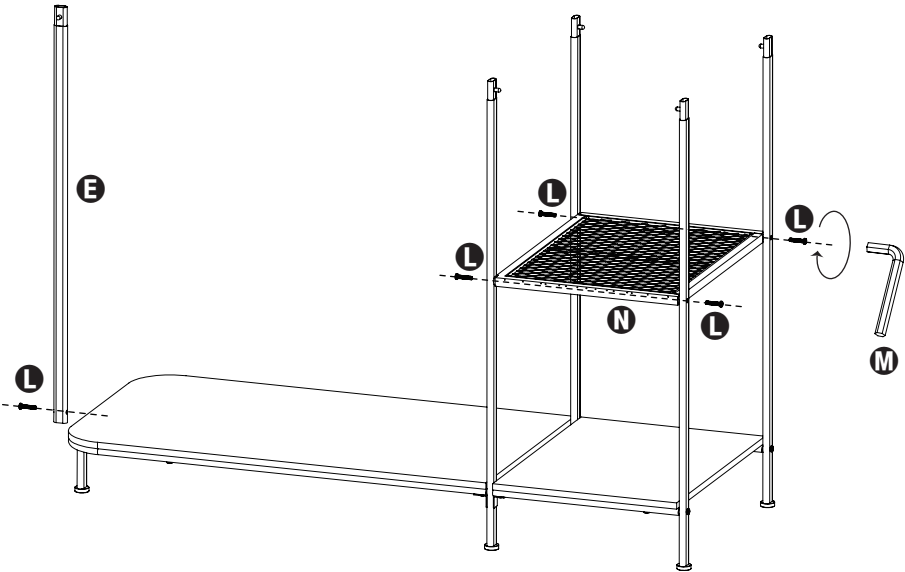
PART/ILLUSTRATION	(QTY)	DESCRIPTION
A 	(1)	top shelf support bar
B 	(1)	bottom long base
C 	(1)	top horizontal support bar
D 	(1)	middle bottom support leg
E 	(1)	bottom support leg
F 	(1)	middle support leg
G 	(1)	bottom short shelf
H 	(1)	bottom long shelf

PARTS LIST

PART/ILLUSTRATION	(QTY)	DESCRIPTION
I 	(2)	bottom support legs
J 	(1)	top shelf support bar
K 	(8)	short hex screws
L 	(20)	long hex screws
M 	(1)	hex wrench
N 	(4)	shelves
O 	(1)	bottom short base
P 	(6)	feet

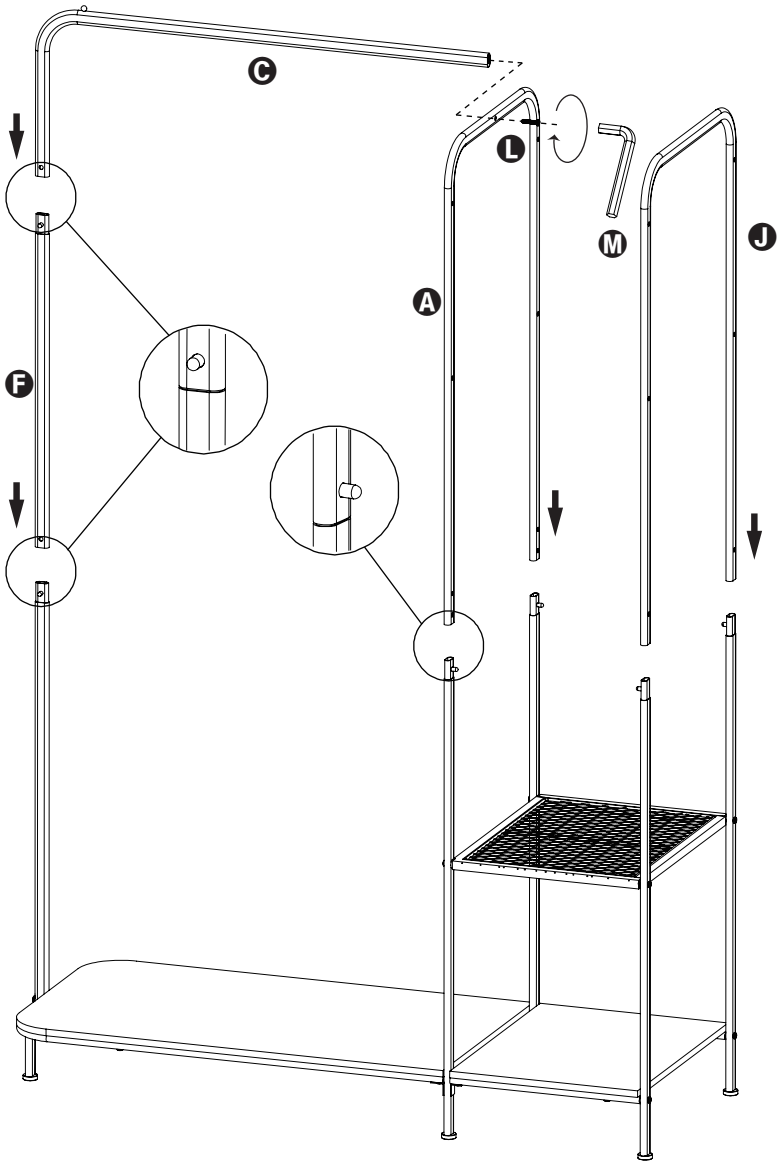
ASSEMBLY

2



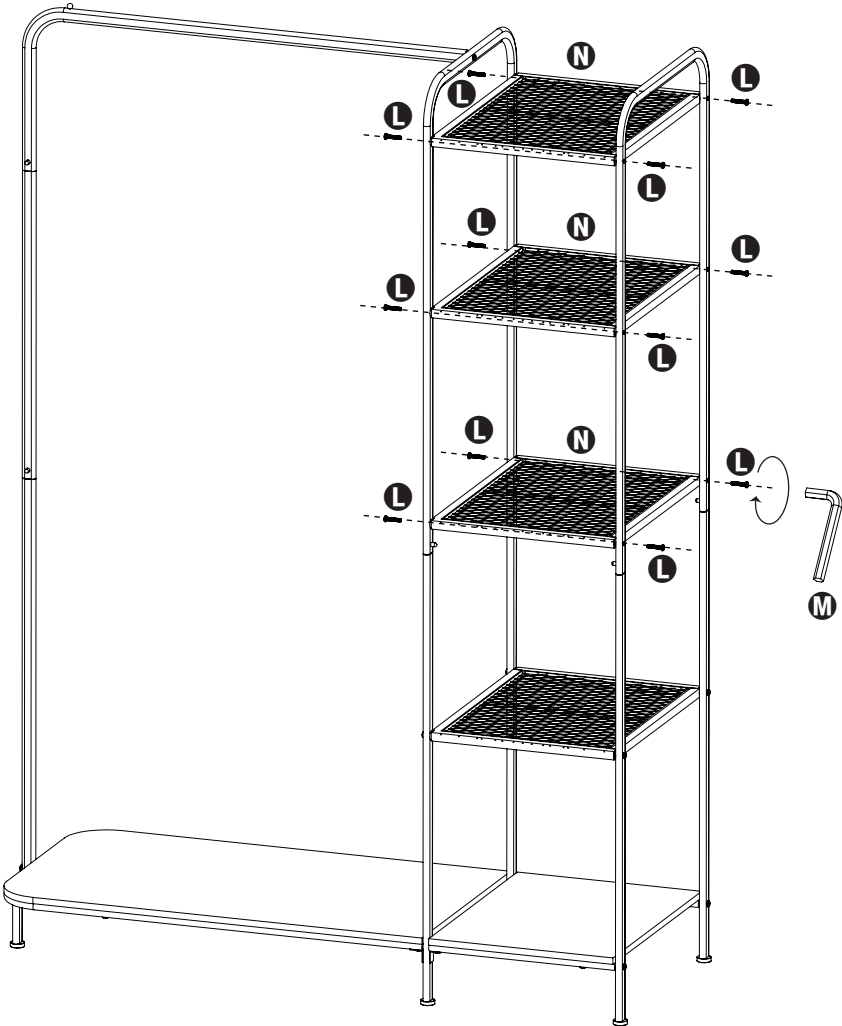
ASSEMBLY

3



ASSEMBLY

4





honey•can•do

Honey-Can-Do International

5300 St. Charles Road, Berkeley, IL 60163 USA

877.242.2636 | honeycando.com | support@honeycando.com

©2023 Honey-Can-Do International, LLC | All Rights Reserved

Visit [youtube.com/myhoneycando](https://www.youtube.com/myhoneycando) to watch our assembly videos.