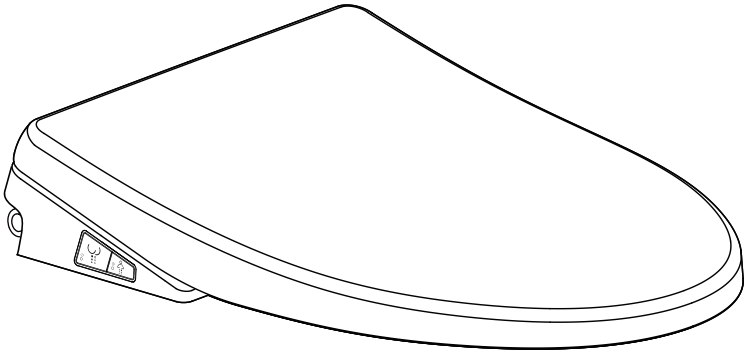
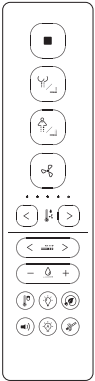


Electronic toilet seat Instruction manual

CD-Y020A



Thank you for purchasing this Intelligent seat.

Please read the instructions and related illustrations care-fully before installing and using the toilet.

There may be differences between objects and illustrations.

If you have any problem for the installation or performance, please be sure to contact us.

Contents

Chapter 1 Safety caution	02
1.1 Normal using	03
1.2 User requirements	03
1.3 Use only when the device is in a normal state	03
1.4 Toilet body using	03
1.5 Battery using	04
1.6 Other safety precautions	05
Chapter 2 Product installation	11
2.1 Components name	11
2.2 Remote control button overview	13
2.3 Bill of materials	14
2.4 Important Note	15
2.5 Product installation	16
Chapter 3 Operating instruction.....	22
3.1 Initialization instructions.....	23
3.2 Toilet button description.....	25
3.3 Remote button operation instructions.....	25
Chapter 4 Cleaning and maintenance	31
4.1 Toilet body cleaning.....	31
4.2 Nozzle and sprayer clean.....	32
4.3 Remote control cleaning.....	33
4.4 Deodorizing device cleaning	33
4.5 Waste disposal.....	34
4.6 Product maintenance	35
4.7 Winter product maintenance	35
Chapter 5 Fault predication and troubleshooting	36
Chapter 6 Technical date	40

Chapter 1 Safety Precautions

In order to prevent harm to the user or others and property damage, please read the [Safety Precautions] carefully.



Serious injury or death may result if this sign is disregarded.



Personal injury or property damage may result if this sign is disregarded.

The sign and its meaning are described as follows:



This sign indicates 'mandatory' content that must be implemented.



This sign indicates that 'Prohibited' contents are not allowed.



This sign indicates that disassembly or unauthorized modification of the product is prohibited.



This sign indicates that the product is connected to a grounding wire.



This sign indicates that immersion in water is prohibited.



This sign indicates that wet hands are prohibited.



This sign indicates that high temperature and flammable objects are prohibited.

To ensure that you enjoy the functions of this product, please read these instructions carefully, especially the safety precautions. Please keep this manual properly and be sure to bring it with you when you pass it on to someone else for use. All instructions have been confirmed at the time of printing and delivery in accordance with the latest technical conditions of the equipment. We reserve the right to make changes due to further developments.

1.1 Normal use

This product is a intelligent toilet with rear & lady wash and other comfortable functions, which also can be used as an ordinary toilet. It can only be used for enclosed spaces, any other use will be deemed to be inconsistent with normal use.

The Company shall not be liable for abnormal use.

1.2 User requirement

Persons (including children) with physical, sensory, or mental impairments or lack of experience and common sense must be supervised in the use of the product and children should not play with the product.

1.3 Use the product only if it is fully functional



Make sure the power cord is not damaged. If the power cord is damaged, it must be replaced by the manufacturer, after service department, or an expert for replacement.

The power cord must not be snagged or pinched.

Keep the cord away from hot surfaces and sharp edges.

Do not use the unit if it is not working properly. Immediately disconnect the power supply, close the shut-off valve, stop the water supply and contact the customer service.

Stop the water supply and contact the customer service to avoid product malfunction and damage caused by improper use.

1.4 Toilet seat use

Cold water for this appliance should be connected from the main water supply. Use the new hose assembly supplied with the appliance. The old hose assembly cannot be reused.

The water inlet pressure of this product is: 11psi-108psi.

Fixed wiring must be equipped with a tactile switch in accordance with the wiring rules, providing a full-stage disconnection under over voltage class III conditions.

The specification of the power supply cord for fixed wiring is 1-2mm² (17-14AWG) nominal cross-sectional area of the conductor.

Make sure that the ground terminal of the power supply wire is 10mm (3/8") longer than the fire (L) and zero (N) wires.

Make sure that the ground end of the electrical junction box is secured to the wall before installing the product.

If this product is moved from a location with a lower temperature to a location with a higher temperature, condensation moisture may occur. In this case, turn off the unit for several hours.

Do not intentionally soil, spray or clog the cleaning jets.

Do not flush newspapers, diapers, sanitary napkins, or other items that tend to clog the product.

Maintenance work must be carried out by a relevant professional.

Do not use accessories that we have not recommended for use.

1.5 Battery use



If battery acid leaks, do not contact skin, eyes and mucous membranes.

In case of accidental contact with the acid, immediately flush the infected area with plenty of water and seek medical attention immediately.

Keep the battery out of the reach of children. If the battery has been swallowed, seek medical attention immediately.

Do not reactivate the battery with other tools, disassemble it, throw it into a fire, or short-circuit it.

Do not disassemble, expose to fire, or short-circuit the battery.

Remove the batteries from the remote control as soon as they are depleted, otherwise the liquid may leak and cause damage.

Refer to the operating instructions on page 20 for removing and inserting the battery.

Do not subject the battery to extreme conditions: do not expose it to heat sources or expose it to sunlight, otherwise leakage may occur.

1.6 Other safety precautions



Persons with disabilities and persons with limited experience or common sense (including children) need to be supervised in the use of this product.

This product must be connected to a cold water supply (inlet water temperature approximately 39.2°F to 95°F). Otherwise, it may be scalded or the toilet may malfunction.

In the event of an abnormality or malfunction, immediately disconnect the power supply, close the water inlet valve and stop using the product.

Abnormal and malfunctioning conditions such as:

- Product is cracked or broken
- Smoke coming out of the product
- Abnormal sound and burning smell
- Abnormal heating of the product
- Water seeping from piping or inside the product

Continuing to use the product despite a malfunction may result in electric shock, fire, injury, or water seepage from the interior.



Do not stick your fingers or other objects into or block the drying vents.

Failure to do so may result in burns, electric shock or damage to parts.

This product is an electrical product, so do not install it in a place where it is easily exposed to water or high humidity.

Do not splash water or detergent etc. on the product, the bottom of the product and the power plug, otherwise it may cause electric shock, short circuit and fire.



Do not pick up the product by grasping the lid or seat.

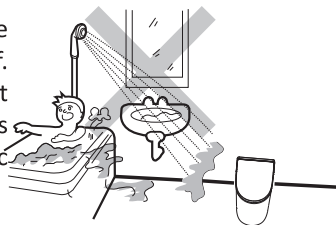
Do not open the lid or seat when there is an object on it.

Failure to do so may cause damage to the product, resulting in personal injury.

Do not use adhesive materials such as double-sided tape on the surface of the product. Otherwise, it may cause damage to the surface.



When using in the bathroom, make sure that the power outlet is waterproof. Failure to use waterproofing may result in electric shock or fire. If the socket is not waterproofed, it may cause electric shock or fire.



Warning



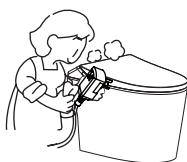
No water immersion

Use a splash-proof case and do not pour water or detergent on the main body and power plug. Otherwise, it may result in product damage or fire, electric shock.



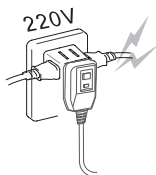
Connect the grounding wire

Check that the power outlet is grounded. This product must be well grounded. Connect only to a dedicated 120V(60Hz)15A circuit with a ground fault circuit breaker or grounded earth leakage protector.



Compliance is mandatory

Remove the plug and clean it with a dry cloth. After removing dust from the plug, always insert the mains plug firmly into the socket.



It is strictly prohibited to use too many loads on the same outlet

Only suitable for professional power distribution using AC voltage of 120V (60Hz). Otherwise, it may result in overheating or cause a fire.



Warning



Pull out the plug

When not in use for a long time, drain the water inlet hose and unplug it. Otherwise, it may cause water contamination and skin infection.

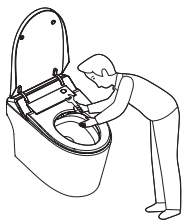


No high temperature

Do not put lighted cigarettes and other burning materials into the toilet seat.

Do not place hot, flammable materials near the product.

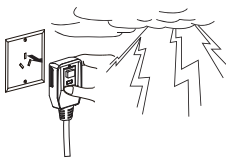
It may cause a fire.



No disassembly

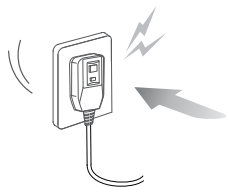
Do not disassemble or repair or modify this product by yourself for any purpose.

It may lead to fire, short circuit and electric shock.



Compulsory compliance

Unplug when thunder strikes. Otherwise, it may cause electric shock.



Prohibit

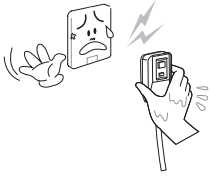
Do not use an outlet that is too loose or defective.

Failure to do so may result in fire or electric shock.

Otherwise, it may lead to a fire or an electric shock.



Warning



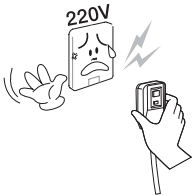
No wet hands

Do not plug or unplug the power plug with wet hands. It may result in electric shock.



Prohibit

Do not pull or damage the power plug / power cord. It may cause fire, short circuit, and electric shock.



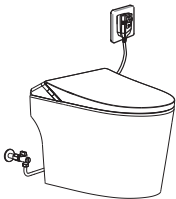
Prohibit

Do not use DC or AC voltage not at 120V. It may cause a product failure.



Pull out the plug

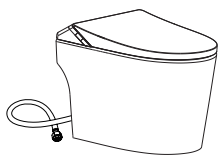
Do not use DC or AC voltage not at 120V. It may cause a product failure.



Compulsory compliance

Disconnect the power and unplug the product before removing or cleaning it. Otherwise, it may cause electric shock or fire.

Attention



Prohibit

Do not bend, twist and damage the water supply hose. Otherwise, it may cause water leakage or insufficient flushing performance of the toilet.



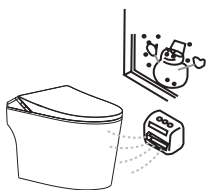
Prohibit

Do not lean on the toilet lid. It may damage the seat cover, lead to injuries.



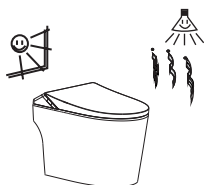
Prohibit

Children should not play with this product. Otherwise, it may cause scald, electric shock, fire and personnel injury.



Prohibit

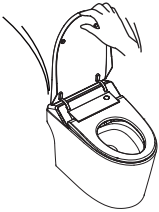
Do not install this product in a room where frost may form. Indoor temperature must not fall below 39.2°F. This prevents the product from freezing and damaging the product technical unit and components.



Prohibit

Do not expose this product directly to water, strong light or sunlight. Otherwise, it may cause fading, seat temperature instability.

Attention



Prohibit

Do not close the lid and seat with force. Otherwise, it may damage the product.



Prohibit

Do not pour urine on toilet main body and its nozzle. Otherwise, it may result in malfunction or stains such as pink and teal colors.



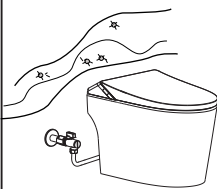
Prohibit

Do not use the following items to clean this product: Gasoline, banana water, benzene, paint thinner, decontamination powder and nylon brush. It may damage the water inlet pipe or the product.



Prohibit

Keep away from the product when using the radio. There may be an interference.

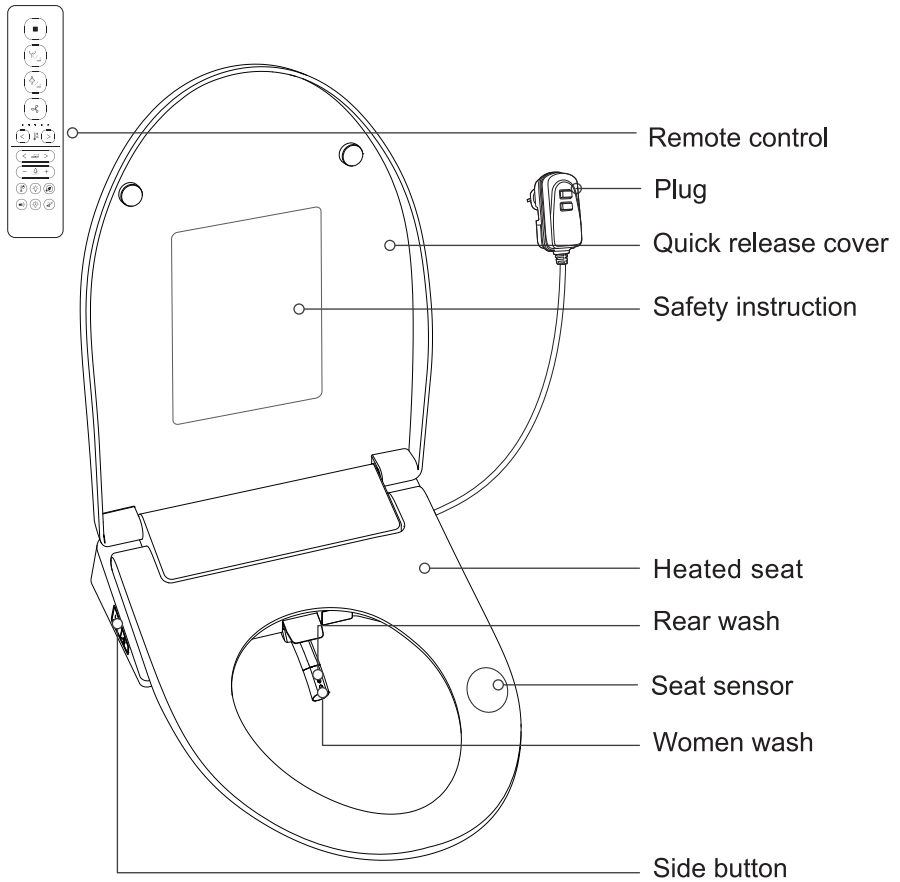


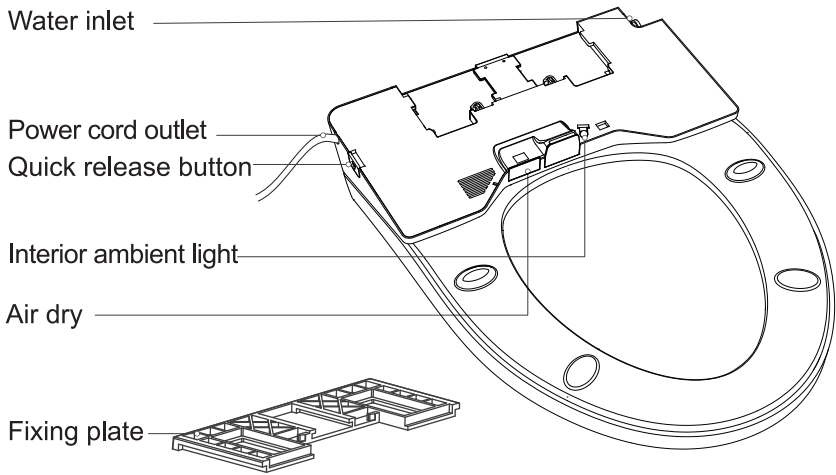
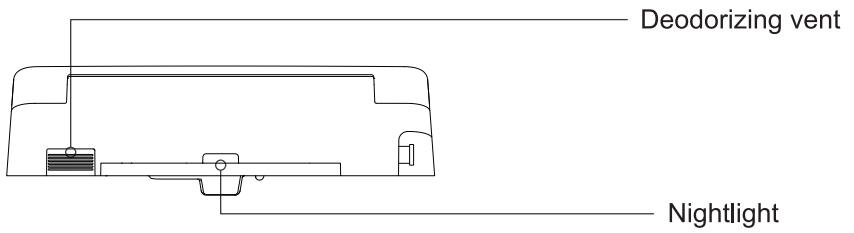
Prohibit

Do not connect to any waste water, mixed water, industrial water, seawater, or other untreated or semi-treated water. It may lead to a skin infection or a malfunction.

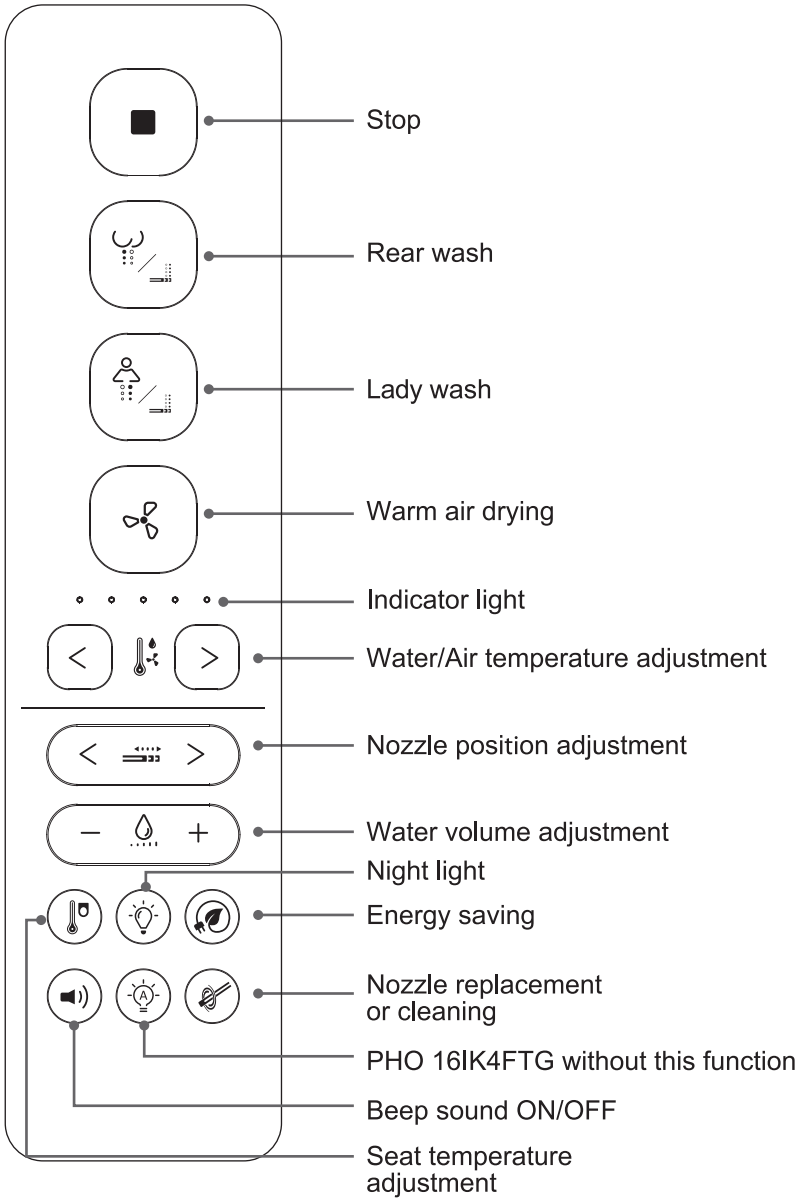
Chapter 2 Installation Instructions

2.1 Overall product overview

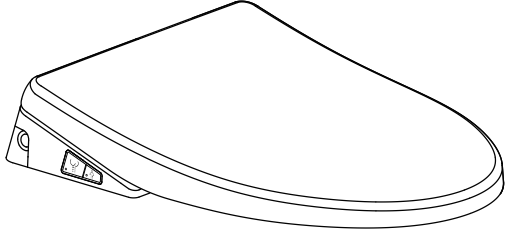



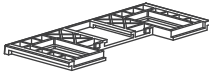

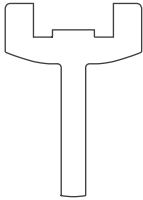



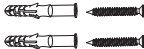
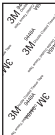
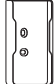





2.2 Remote control front button illustration



2.3 Bill of materials

<p>Main body</p> 	 <p>Manual (*1)</p>
<p>Installation accessories</p>  <p>Square washer(*2)</p>  <p>Adjustment sheet(*2)</p>  <p>Fixing plate (*1)</p>  <p>Screw+ Pom nut(*2)</p>  <p>Positioning cardboard (*1)</p>	 <p>G15/16 G1/2 G15/16</p> <p>Water inlet T-valve (*1)</p>  <p>damp (*1)</p>  <p>Water inlet hose (*1)</p>
<p>Vertical Remote Controller</p>  <p>Screw+Pom nut</p>  <p>3M</p>  <p>Remote control holder</p>  <p>Remote control (2*AAA Batteries excluded)</p>	

Caution Remote Control Installation

* Please make sure that the toilet is installed before the remote control is installed. type of remote control you choose, install it step by step.

* Please ensure that the toilet is installed before installing the remote control and matching the code.

2.4 Important note for installation

About installation instructions

This installation instruction is used to guide the correct installation of the intelligent toilet. Please read it carefully before installation.

Signs and its meaning description



Failure to achieve the avoidance of danger will lead to serious injury or even death.



Attention indicates operational practices unrelated to physical harm.

Read the installation instructions in this chapter

This intelligent toilet device and related water pipes can only be installed by qualified plumbers. Electrical installation can be performed only by qualified electricians.

Safety instructions



Attention Product or performance damage

* Be sure to comply with your country's standards and local installation regulations.



Attention Product damage caused by the water freezing

* It is prohibited to install the intelligent toilet in a room where there is a risk of frost. The minimum room temperature should not be less than 39.2°F.

* Put the toilet in the room for 24 hours before installing it in a low temperature area.



Attention Product damage caused by water moisture condensation

* When moving the intelligent toilet from a low temperature environment to a high temperature environment, please remove the power supply for a few hours.

Prohibited to remove separate components



Dangerous Fatal electric shock hazard!

* If the power cord is damaged, it must be replaced by the manufacturer's maintenance personnel or professionals.

* Appliance must be properly grounded.

* The fixed wiring shall be equipped with anti-shock switch according to the wiring rules and provide over voltage level III with full pole disconnection.

* The power line for fixed wiring is of a nominal cross-sectional area of 1-2.5 square mm.

* Determine that the ground end of the power supply line is 10 mm longer than the fire line (L) and zero line (N).



Attention

* All length units in this installation instruction are millimetre (mm).

* This product should be permanently connected to the water pipe. Do not remove the water pipe assembly except for installation and maintenance.

2.5 Product installation

■ Matters need attention

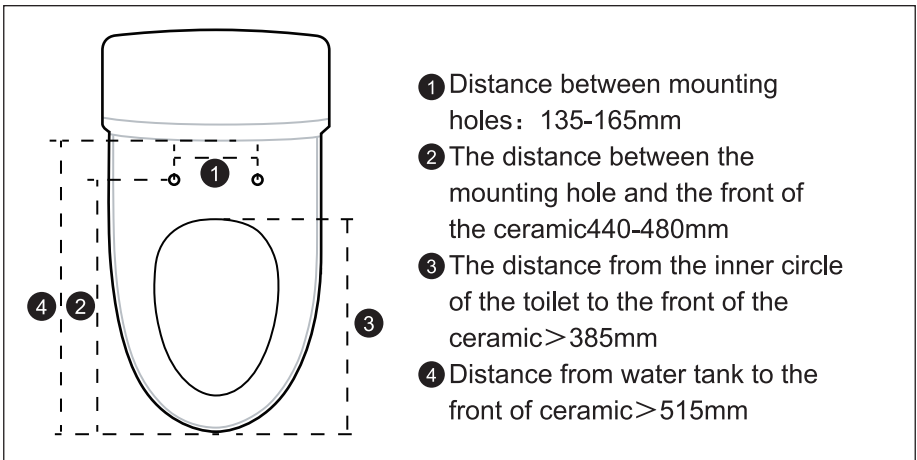
1. This product has an AC voltage of 120V(60Hz) and a rated power of 1050W. This product is limited to the specified power supply.
2. The length of the power cord $\leq 0.9\text{m}$; power outlet should be close to the location of the product installation and removal.
3. Water inlet water pressure range 11psi-108psi; please follow the instructions.
4. Ambient temperature range 39.2° F-104° F, humidity range $\leq 95\%$; please use according to instructions.
5. The inlet pipe is 0.7m long; the valve should be close to the location where this product is installed and removed.
6. In the same room where this product is installed, a water stop valve needs to be installed within reach. In case of emergency, you can cut off the water inlet of the product without tools. Otherwise, the accidental failure of the product may lead to the loss of the user.
7. After the product is installed, connect the power supply and water supply.



Prohibit

Do not use the product if the power cord or plug is damaged, or if the plug is loose. It may cause electrocution or fire.

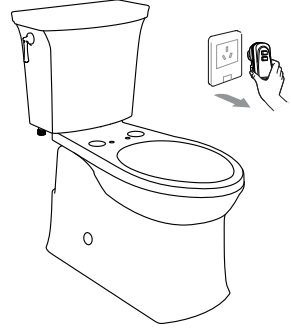
■ Adapt to ceramic dimension requirements



■ Preparation before installation

Before installing the toilet seat

1. Remove the existing toilet and close the water supply system of the toilet.
2. Press the flush button to release the pressure from the water supply pipe.
3. Place a container with water under the water inlet valve.
4. Disconnect the toilet inlet valve from the water supply pipe.



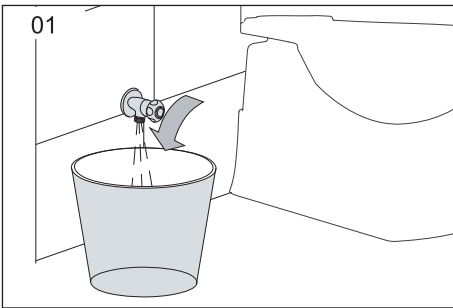
Note: When determining the location of the circuit exit, follow local standards

1. The inlet of the separate seat is on the left side and the bottom.
2. When the water inlet is from the bottom, the ceramic holes must be able to pass through the power cord and water inlet pipe;

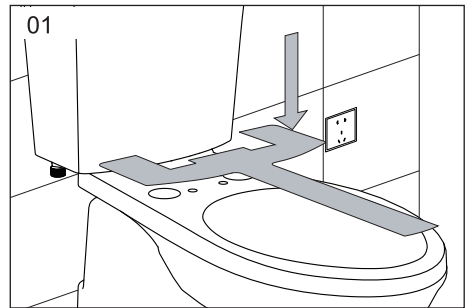
Installation circuit outlet

1. Before installing the circuit, please reserve a power socket within about 1 meter to the right of the toilet.
2. It is recommended to use waterproof sockets. Do not use extension cords to connect the product.

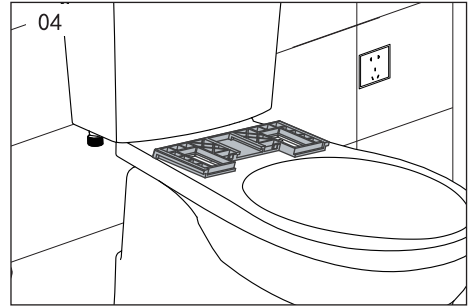
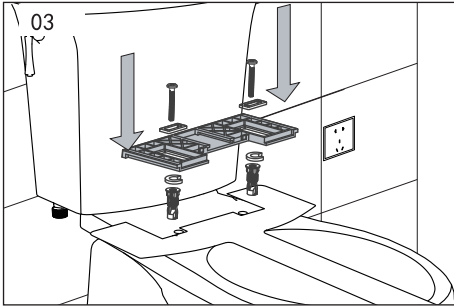
■ Installing the fixing plate



1. Open the angle valve to drain water for 60S, and confirm that the inlet water channel is normally flowing.



2. Place positioning cardboard, align the front of the cardboard with the front of the ceramic.



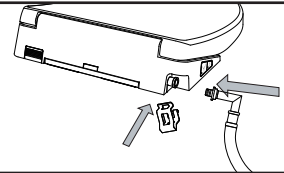
3. Plug the expansion screw into the ceramic mounting hole, place the fixing plate in the hollow position of the positioning cardboard, place the adjustment piece according to the position of the ceramic installation hole, and screw the adjustment piece to lock the fixing plate to the ceramic.

4. After the installation of the fixing plate is completed, remove the installation positioning cardboard.

■ Toilet pipe

Side water inlet

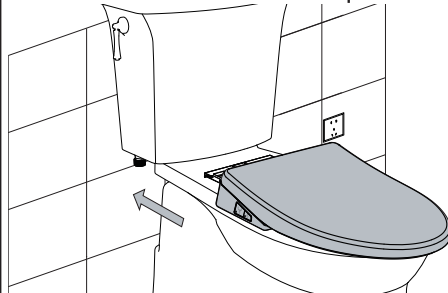
Connect the hose in the accessory kit to the water inlet connector, and then fasten the water inlet hose with a clamp.



■ Toilet installation and removal

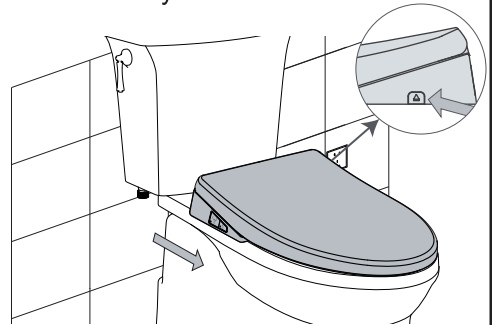
Installation:

Align the toilet with the fixing plate, push it in the direction of the arrow, and hear a "click" sound, indicating that the toilet is installed in place.

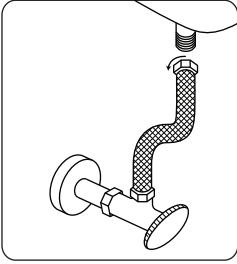


Disassembly:

Press the side quick-release pusher inward and pull out the toilet horizontally with both hands.

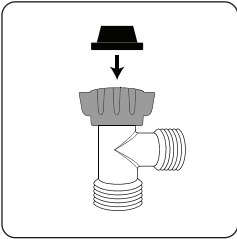


■ Connect power and water



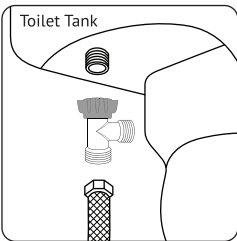
Disconnect the Water Supply Hose

Make sure you have turned off the toilet tank water supply and flushed the toilet to empty the toilet tank if you have not done so already. Place a towel or bucket underneath the toilet tank connection to catch any residual water, then disconnect the water supply hose from the toilet tank.



Check the T-valve

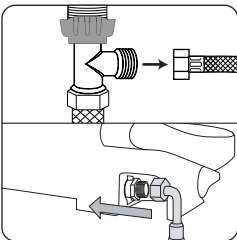
Make sure that there is a black rubber washer inserted at the top of the T-valve. If it is not already there, insert the black rubber washer so it is securely in place, as shown in the picture.



Install the T-valve to the Toilet Tank

Connect the top of the T-valve to the toilet tank and the bottom of the T-valve to the water supply hose. Take care to align the T-valve straight on the fill valve to prevent any cross-threading caused by misalignment.

PRO TIP: Do not overtighten connections. Simply turn the connection by hand, then use the wrench to tighten a quarter turn more.



Connect the Hose to the T-valve and Inlet

Connect the 1/2" end of the PVC hose to the T-valve. Connect the 1/2" end (90 degree) of the hose to the toilet seat inlet.

■ Remote control installation

Try to install the remote control as close to the toilet as possible, and choose a suitable height on the wall.

1. Tear off the 3M adhesive protective film.
2. Stick the remote control bracket to a suitable position on the wall
(It is recommended to stick to tile or wooden wall).
3. Install the remote control on the remote control bracket.

warning

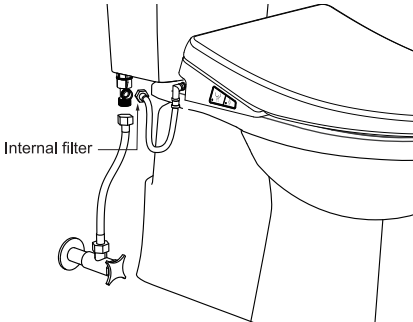
1. Do not spill water on the remote control, it may cause malfunction or damage.
2. Place the remote control on the remote control bracket when not in use.
3. Dropping the remote control may cause malfunction or damage.



■ Connect power and water

■ Connect water

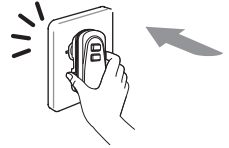
Connect the external water source to the water inlet connector with the supplied hose and filter



Before installation, drain the water in the pipeline and clean the joints.

■ Connect power

- 1.120V (greater than 10A) socket installed at a position 50cm above the ground.
- 2.The socket must be installed in a place where water cannot easily splash.
- 3.Use a grounded socket.
- 4.Plug the power plug of the product into the socket.



Notice



Separate water and electricity installation locations

In the same room where this product is installed, you need to install a water stop valve within easy reach. It is used in emergency situations to cut off the water inlet of the product without the use of tools. Otherwise, unexpected failure of the product may cause user loss

Notice



- 1.Applicable water pressure range: 11psi-108psi
- 2.Applicable water temperature range: 4-35°C
- 3.Usage environment 4-40°C, relative humidity≤95%;
- 4.The new hose must be used. The old hose assembly cannot be reused.

Warning



Please connect the power according to the product power supply requirements, Otherwise it may cause the product to malfunction.

Notice



The plug should be connected to a valid grounded socket, otherwise it may cause electric shock in the event of power failure or leakage.

Chapter 3 Operating instruction

Confirmation before use

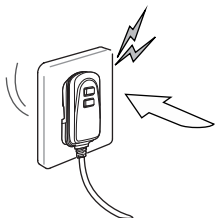
- Open the valve

Open the water inlet valve to provide water for the whole machine

■ Confirmation and pilot run

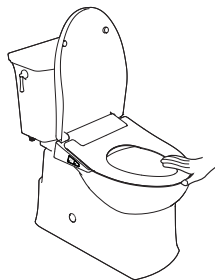
1. Detect power

Make sure the power plug is plugged in tightly. The indicator light on the plug indicates that the system is powered on. If the indicator light is not on, you can press the reset button on the plug to power on. After the power is turned on, the system emit a beep.



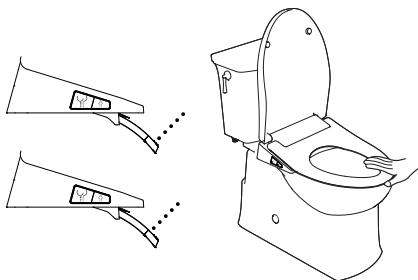
2. Seat sensor

There is a seat sensor in the area shown in the figure. Only when the system senses that someone is seated, the system emits a beep.

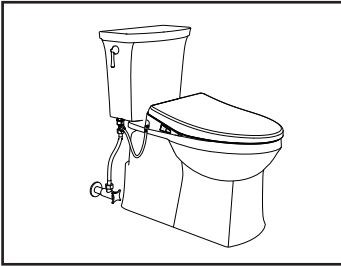


3. Check wash function

When sit on the seat or hold on the seat sensor area, press rear wash/lady wash button to see if the nozzle is extend and work normally.

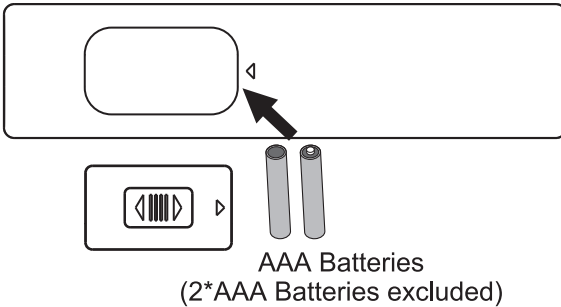


3.1 Initialization operation



a. Open the Water inlet T-valve and make sure the tap water is connected.

b. Install batteries for the remote control:

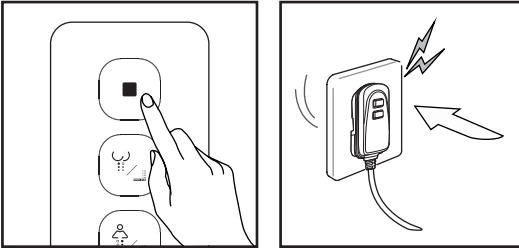


※ Used batteries should be disposed of in the appropriate type of trash can.

Try to operate the remote control, if the indicator light of the remote control lights up with the keys, that means the battery is installed successfully. If the remote control does not work, please check if the batteries are charged and installed correctly. If the batteries are used up, you can reinstall new batteries in the above way.

To prevent the battery from breaking or leaking, be sure to observe the "Precautions for Use". (in page 4)

c.Match code



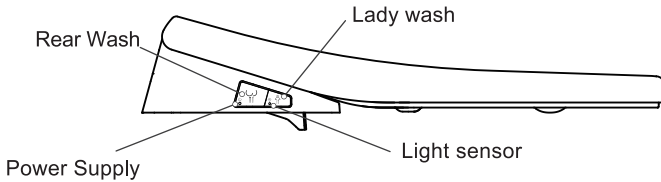
When the main unit is powered off, long press and hold the "■" stop button on the remote control until the indicator light on the remote control flashes and connect the main unit to the power supply, the leakage protection plug light is on, the main unit makes a long beep, release the remote control stop button, the code is successfully paired .

After power-on, the system will self-check, and the self-check will be completed after about 20 seconds, and it will enter standby mode.

If the code matching is unsuccessful, the indicator will automatically off after 30 seconds. Try again as described above. If it is still unsuccessful, please consult professional staff.

3.2 side button operation

Right-side button description



After seated, press the Rear wash/Lady wash button to enjoy intelligent wash.

It will be completed by following steps: 15s fix wash → 45s mobile wash → 2 minutes air drying → stop;

During this process, the setting of water temperature/air temperature is the same as the last operation.

During the running process, press this button again to stop the current function and drying.

Power off: Press and hold the rear wash button for more than 5s, the toilet seat and power indicator will be turned off. Tap the rear wash button to start wash next time.

3.3 Remote button operation instructions

The smart toilet seat is operated by a remote control. Remote control can control rear wash, women wash, drying and stop. And other functions like settings and Adjust air temperature, water temperature, seat temperature etc.

Press the corresponding button to activate the corresponding function. Each time the button is operated, the indicator light will flash once with white backlight.

In any case, stop the button for the highest priority response;

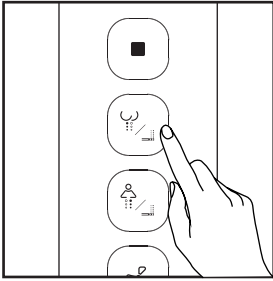
If the remote control is not available, please check whether the battery is installed or whether the battery is charged.



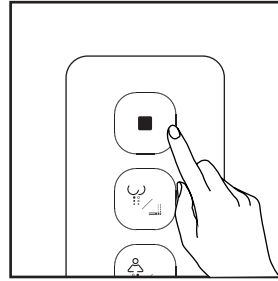
Rear wash / Mobile wash

Conditions: when there is someone sit on the seat.

1. Press the “Rear wash” button, the nozzle will slowly extended and star rear wash. Press the “Rear wash” button again, it will switch to mobile wash.



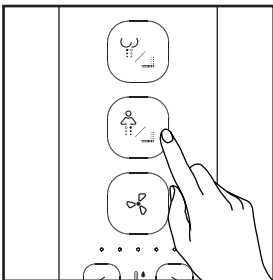
2. Press the “Stop” button to stop “Rear wash” or wait for 3 minutes to stop automatically.



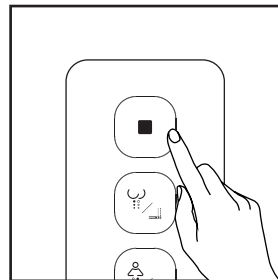
Lady Wash / Mobile wash

Conditions: when there is someone sit on the seat.

1. Press the “Lady wash” button, the nozzle will slowly extended and star rear wash. Press the “Women wash” button again, it will switch to mobile wash.



2. Press the “Stop” button to stop “Lady wash” or wait for 3 minutes to stop automatically.



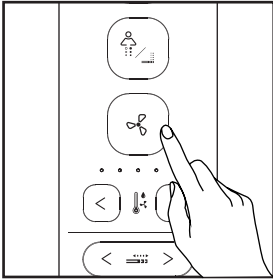


Drying

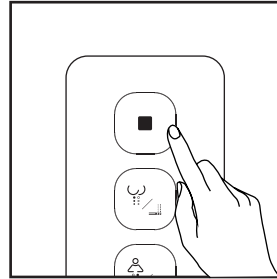
Drying (5 levels adjustable)

Press the "Dry" button to blow out comfortable warm air.
Conditions: when there is someone sit on the seat.

1. Press the "Drying" button to start the drying function, the warm air cover is opened, and comfortable warm air is blown out.



2. Press the "Stop" button to stop "Drying" or wait for 4 minutes to stop automatically. the system buzzer will beep twice when reaches the max level.

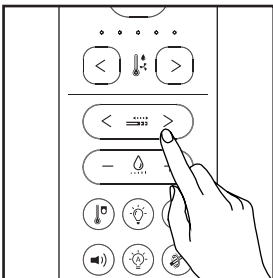


Nozzle position adjustment

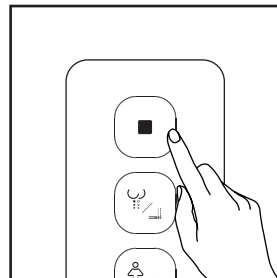
Nozzle position adjustment
(5 levels adjustable)

Condition: Rear wash or Women wash function have been activated.

1. Press the "<" in the nozzle position button, the nozzle extends forward 1 level each press, the system buzzer will beep twice when reaches the minimum level.



2. Press the ">" in the nozzle position button, the nozzle retracted backward 1 level each press, the system buzzer will beep twice when reaches the maximum level.



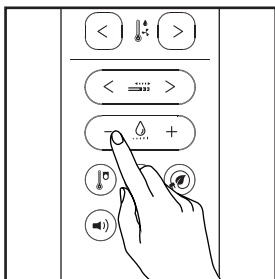


water volume adjustment

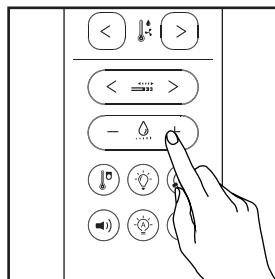
Water volume adjustment
(5 levels adjustable)

Condition: Rear wash or Lady wash function has been activate.

1. Press the “ — ” in the water volume button to decrease the water volume, the system buzzer will beep twice when the minimum level.

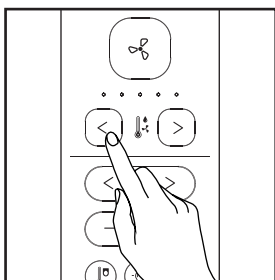


2. Press the “ + ” in the water volume button to increase the water volume, the system buzzer will beep twice when the minimum level.



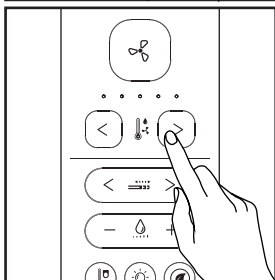
Water temperature/ Air temperature adjustment

(5 levels adjustable)



Press the “ < ” in the water/drying temp. button during washing mode to decrease the water temp. , the system buzzer will beep twice when the minimum level.

Press the “ < ” in the water/drying temp. button during drying mode to decrease the drying temp. , the system buzzer will beep twice when the minimum level.




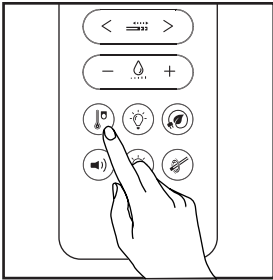
Press the “ > ” in the water/drying temp. button during washing mode to increase the water temp. , the system buzzer will beep twice when the minimum level.

Press the “ > ” in the water/drying temp. button during drying mode to increase the drying temp. , the system buzzer will beep twice when the minimum level.



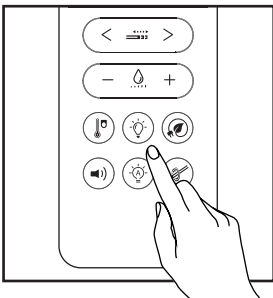
Seat temperature adjustment

1. Press the “” button to change the seat temperature. The seat temperature is divided into 5 levels and room temperature. Cycle in sequence, the highest is the 5th level. There will be two beep sounds when it is on room temperature setting, and one short beep sound and one long beep sound when it is in the maximum level setting.

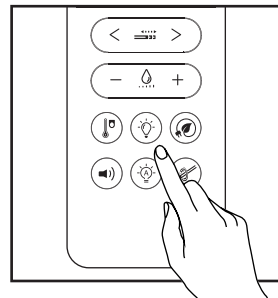


Night light

1. The original nightlight setting is ON (Light sensitive mode). The light will be automatically off during the daytime, and automatically on when it is dark.

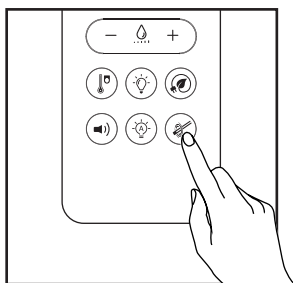


2. Press the nightlight button to turn ON/OFF the nightlight.

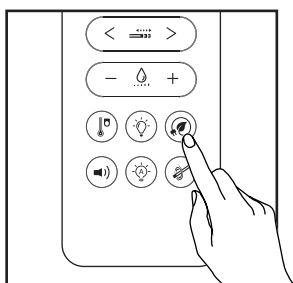




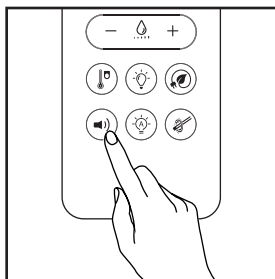
Nozzle clean/Energy-saving mode/Beep sound



1. Short press this button, the nozzle will extend without water, you can clean or replace the nozzle.
2. After nozzle clean or replacement is completed, press the “stop” button, the nozzle will withdraw back.



1. The original setting is non-energy-saving mode. Short press this button to turn on the energy-saving function, you will hear one beep sound. Press this button again to turn off the energy saving, you will hear two beep sounds.
2. When enter to energy-saving mode, the power indicator light in the side button will flash and the seat temperature is 25℃. Otherwise, the power indicator light in the side button is always on and the seat temperature is restored to the previous setting.



1. The original setting of beep sound is ON. Press this button to turn it off. Press this button again to turn it on. You will hear a beep sound when it is OFF and two beep sounds when it is ON.

Electrolytic water sterilization function

This function is only activated during self-cleaning process, but not at other times.

Automatic deodorization function

In the seat induction conditions, the deodorizing fan starts and automatically turns off after leaving seat for one minute. (It is recommended to replace the deodorant every 6 months)

Chapter 4 Cleaning and maintenance.

4.1 Toilet body cleaning

Clean the toilet body regularly, or immediately after getting dirty. If cleaning is not performed frequently, the dirt may become noticeable, resulting in stubborn dirt.

Always turn off the power before cleaning the surface of the product

Do not allow water or detergent to enter the product or the power plug, as this may cause short circuit, electric shock, or fire.

Pay attention to discoloration, yellowing or spray peeling due to improper cleaning.

-Do not use abrasive cleaners or cleaners containing chlorine or acids.

-Use only cleaning agents and equipment specific to this application.

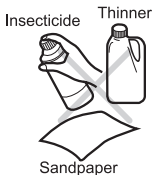
-Follow the detergent manufacturer's instructions.

-Never mix detergents.

Wipe with a soft cloth soaked in water and wrung out. A neutral soap solution is the ideal daily cleaner.

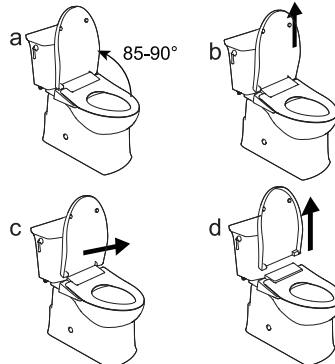
Cleaning the surface of the product

- Please wipe the surface of the product with normal temperature water or neutral detergent with a sponge or a soft cloth.
- When using detergent to clean other parts, please lift up the cover and seat.
- After the detergent in the ceramic toilet is completely washed, the seat can be covered again, otherwise the evaporation of the detergent may corrode the surface of seat and cover.



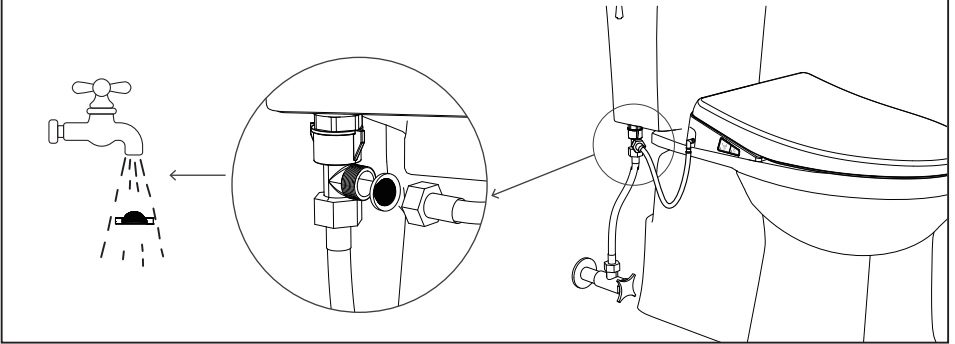
Quick release cover

When the cover is opened to 85-90°, pull up the left side of the cover until the cover is removed from the left shaft, and then move it horizontally to the right, so that the right side of the cover is also removed from the shaft; Then the cover can be removed for sanitary dead corner cleaning.



Cleaning the filter

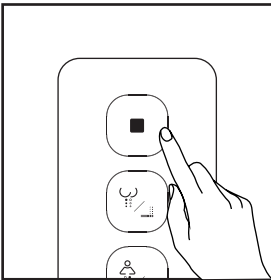
- a. Disconnect the power supply, close the angle valve, then unscrew the water inlet hose, remove the filter, and clean the filter.
- b. Clean the filter when the water flow is smaller than usual.
- c. After cleaning, install the filter back.



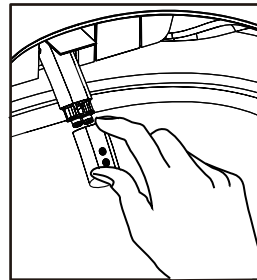
4.2 Nozzle and nozzle tube cleaning

The retracted spray head is automatically cleaned before and after using the cleaning function.

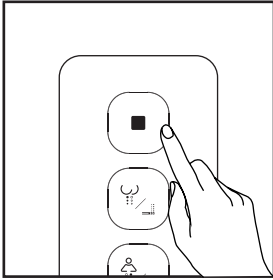
- Clean the spray nozzles regularly, or as soon as you notice dirt.



- a. Short press: the flushing tube extends, the nozzle can be replaced or cleaned (in the off-seat state)



- b. Remove the spray head, and clean the spray head with a cloth, sponge or brush and neutral detergent.



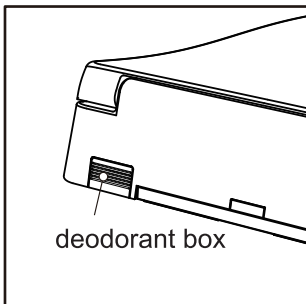
c. Put the cleaned nozzle back, Press "Stop" button on remote control again to end the cleaning, and the nozzle retracts.

4.3 Cleaning remote control

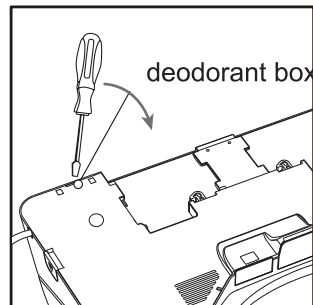
Use a soft damp cloth to clean the remote control and remote control holder.

4.4 Cleaning deodorant box

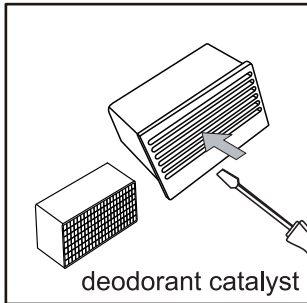
1、 When there is dust adsorption on the deodorant box, the suction air volume will be reduced. Please use a toothbrush or a small brush to remove the dust as below steps.



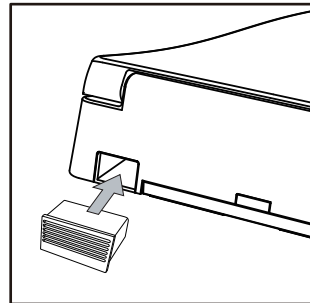
1. Remove the cover from the toilet seat and find the deodorant box



2. Use a flat-blade screwdriver to gently pry the bottom to remove the deodorant box



3. Push out the deodorant catalyst with a flat-blade screwdriver, replace the new deodorant catalyst, and put it into the deodorant box.



4. Put the deodorant box back into the original groove and put the toilet back on the ceramic fixing plate (see P18 for the method)

4.5 Waste disposal

Electrical and electronic equipment may contain hazardous or hazardous substances. Do not discard it as unsorted household waste. Please send it to the designated collection point. In this way, you can contribute to re-source conservation and environmental protection. Contact your retailer or local authorities for more information.

Used batteries must be disposed of properly. To this end, battery recycling bins with corresponding labels are available in stores and community collection stations where batteries are sold.

To avoid possible suffocation or danger, do not let children play with plastic bags and product packaging. Please keep such packaging materials in a safe place or discard them in an environmentally friendly manner. If possible, keep the packing materials until the end of the warranty period.

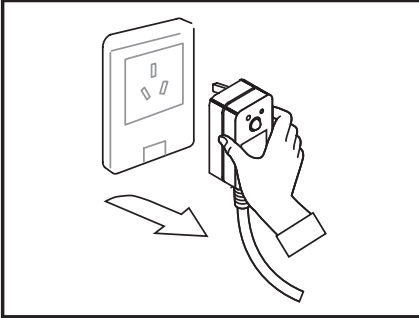
4.6 Product maintenance

In the following cases, please close the water inlet valve and remove the hose to drain the water.

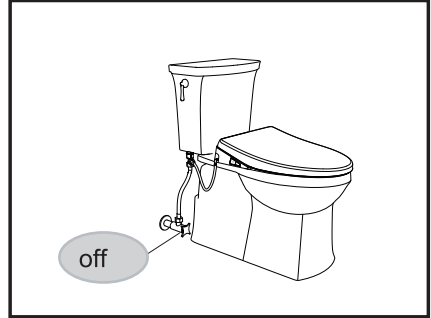
-When water may freeze in cold areas.

-When not used for a long time.

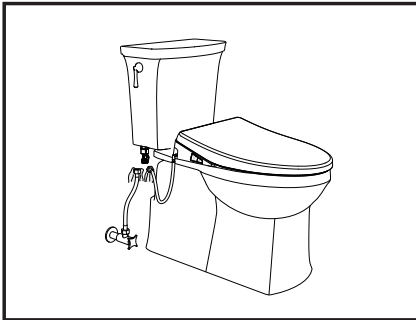
It may cause skin infection due to deterioration of residual water.



a. Unplug the power plug



b. Close the angle valve to stop the water supply



c. remove the water inlet hose from the angle valve to the toilet end, and drain the water in the water inlet hose.

4.7 Winter Product Maintenance

When freezing may occur in winter, etc., in order to prevent damage to the hose or product due to freezing, please take measures to prevent freezing:

a. Increase the room temperature;

b. Close the water inlet angle valve and drain the water from the water inlet hose.

Chapter 5

Fault predication and Trouble Shooting

Recommendation: Initial basic operation in case of failure

Turn off the main power of the product, and then turn it on again after at least 3 minutes.

If your device still does not work properly after following the instructions described below, please contact your company's customer service center or your dealer.

Condition	Possible reason	Solution
Basic function		
Function does not work at all	Power failure	Please wait for power to be restored
	Plug loose or out of touch	Please plug in to ensure the power is restored
	The leakage protection button of the power cord is not on	Please press the leakage switch of the power cord
	In standby mode	Switch to on mode
water leakage	Malfunction	Close the water supply Disconnect the power Call Customer Service Hotline
Remote control		
During operation, the indicator light of remote control keeps flashing	Battery power is low	Replacement battery

Condition	Possible reason	Solution
The remote does not work	No battery inserted	Load the battery
	Run out of power	Replacement battery
	Battery is positive and negative	Load the battery correctly
	Defective remote control	Call Customer Service Hotline



Warning

Do not disassemble, repair or modify the product yourself.
It may cause electric shock, fire or malfunction.

Condition	Possible reason	Solution
Rear Wash / Women Wash		
It takes slightly long to switch between Rear wash and Lady wash	When switching between Rear wash and Lady wash, the spray head needs to be retracted and self-cleaning before extending.	Normal
Cleaning nozzle does not extend	Water inlet hose bend	Exclude water hose bent Call Customer Service Hotline
The cleaning water does not spray out	Water supply was cut off	Please wait for water to be restored
	Inlet angle valve is not open or is blocked by dirt	Open or clean the inlet angle valve
	Water inlet hose bend	Exclude bent water hose Call Customer Service Hotline
	Nozzle blocked	Cleaning nozzle

Condition	Possible reason	Solution
Abnormal water spray	Abnormal operation malfunction	Power on again after unplugging for one minute Call Customer Service Hotline
Water spray intensity is too weak	Water spray intensity has been set to "1st"	Adjust the water spray intensity to 2nd, 3rd, 4th or 5th
	Nozzle blocked	Cleaning spout
	Inlet water filter blocked	Cleaning the decompression valve filter
	Deformed of water inlet hose	Call Customer Service Hotline
The water temperature is not high enough	Water temperature has been set to "Off" or "1st gear"	Set the water temperature to 2nd, 3rd, 4th or 5th
Water temperature is too high	Water temperature has been set to "5th gear"	Set the water temperature to 1st, 2nd, 3rd or 4th
Nozzle suddenly stopped spraying water	The function stops automatically after 3 minutes	Normal
Retracted nozzle drips water	The nozzle is automatically cleaned before and after the cleaning function	Normal
Drying		
No reaction	The human body is not within the sensing range	Adjust sitting position, posture, etc.
Warm air temperature is too low	The drying temperature has been set to "1st gear"	Set the drying temperature to 2nd, 3rd, 4th or 5th
Warm air temperature is too high	The drying temperature has been set to "5th gear"	Set the drying temperature to 1st, 2nd, 3rd or 4th

Condition	Possible reason	Solution
Deodorizing		
Deodorizing effect is not good	Dust clogging	Cleaning deodorant box
Deodorization produces loud noise	Dust clogging	Clean the deodorizing suction port

■ Troubleshooting reminder

Troubleshooting	The buzzer prompts	Troubleshooting illustration
Inlet water temperature probe short circuit (open circuit)	The buzzer gave a long blast	The system stops the water temperature heating, and the nozzle retracts
The water temperature exceeds 43 degrees	The buzzer gave a long blast	The system stops the water temperature heating, and the nozzle retracts
Outlet water temperature probe open circuit	The buzzer gave a long blast	The system stops the water temperature heating, and the nozzle retracts
Seat temperature probe short circuit (open circuit)	The buzzer sounds 4 times every 5 seconds	The system stops seat temperature heating
The water output is too small	The buzzer gave a long blast	The system stops the water temperature heating, and the nozzle retracts

In the following cases, be sure to contact the service point.

After reinserting the power plug, the indicator light on the toilet body is still blinking. (Please unplug)

After reinserting the power, the indicator light on the toilet body is still off.

When smoking or abnormal sound occurs. (Please unplug the power plug)

When the warm air outlet does not emit warm air, or the warm air suddenly becomes cold during the using. Restart the power supply still cannot return to normal.

Chapter 6 Technical date

Item	CD-Y020A	
Applicable voltage	AC 120V 60Hz	
Power	The power 950W is test under the following condition: (a.the water pressure is 0.2±0.02Mpa, b. the water inlet temperature is 15°C, c. turn on the rear wash or women wash. d. the warm water temperature is turned on; e. the heating seat function is turned on, f. the washing function is turned on) , and then record the average power for one minute.	
Suitable intake temperature	4-40°C, Relative humidity≤95%	
Length of wire	Effective length≤0.9m (with ground wire)	
Flushing device	Applicable range of water pressure	11psi-108psi(static pressure)
	Inlet water temperature	4~35°C
	Warm water heating method	Instant heater heating
	Flushing flow rate	350-600l/min
	Nozzle position	adjustable
	Maximum heating power	1400W
	Safety device	Temperature fuse, level switch, thermostat
Seat heating	The surface temperature	Off, 30~42°C(adjustable)
	Heating power	50W
	Safety device	Temperature sensor and temperature fuse
	damper structure	The seat and the cover have damping buffer damper
Drying device	min wind volume	0.2m³/min
	Maximum heating power	230W
	Drying cycle	4 mins
	Warm wind temperature	Off 30~50°C (adjustable)
	Safety device	Emperature Controller, Temperature Fuse
Deodorization method	activated carbon	
Other Safety device	Leakage protection	
Net weight	3.8Kg	
Size	517*373*96 mm	