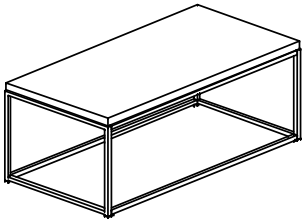
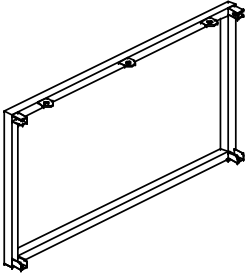
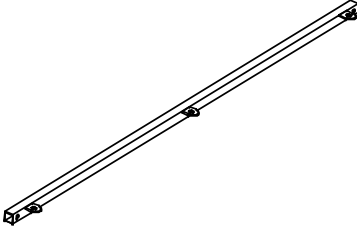
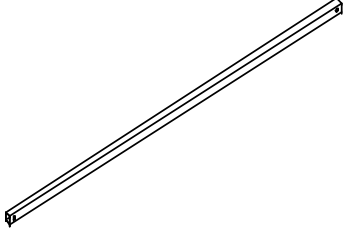
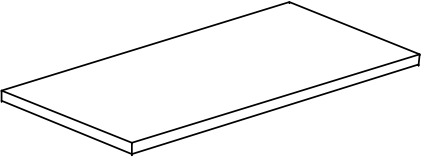
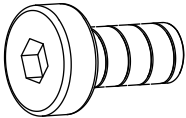
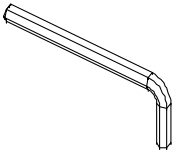


# COFFEE TABLE

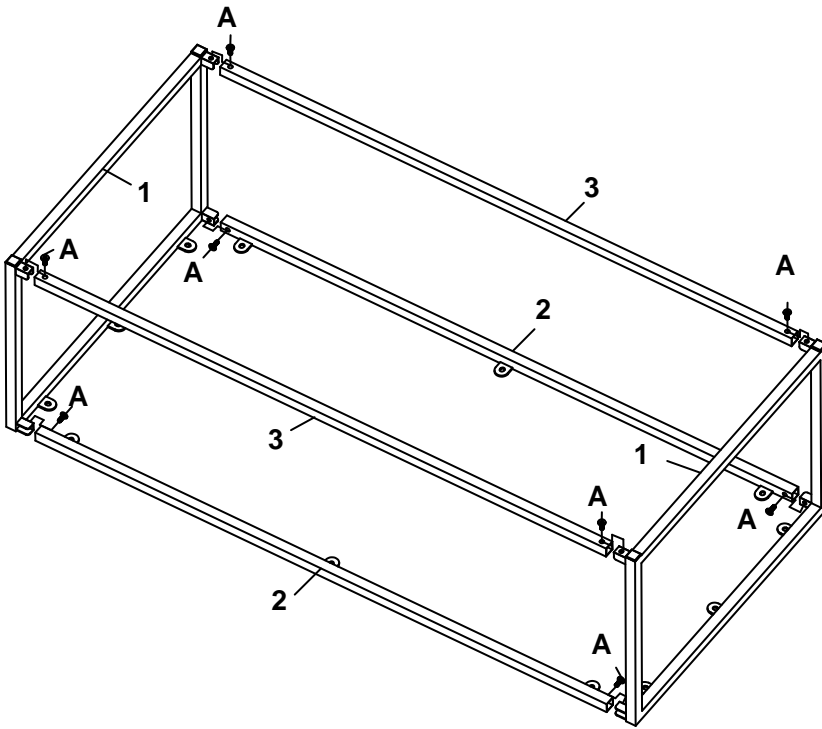


## ASSEMBLY INSTRUCTIONS

<p style="text-align: center;"><b>1</b></p>	<p style="text-align: center;"><b>2</b></p>	<p style="text-align: center;"><b>3</b></p>
 <p style="text-align: center;"><b>SIDE FRAME 2PCS</b></p>	 <p style="text-align: center;"><b>TOP CROSSBAR 2PCS</b></p>	 <p style="text-align: center;"><b>BOTTOM CROSSBAR 2PCS</b></p>
<p style="text-align: center;"><b>4</b></p>		
 <p style="text-align: center;"><b>WOOD TOP 1PC</b></p>		
<p style="text-align: center;"><b>A</b></p>	<p style="text-align: center;"><b>B</b></p>	
 <p style="text-align: center;"><b>BOLT 1/4"X1/2" 20PCS</b></p>	 <p style="text-align: center;"><b>ALLEN KEY 1PC</b></p>	

\*\*\* Do not tighten screws & bolts until the entire unit is completely assembled. \*\*\*

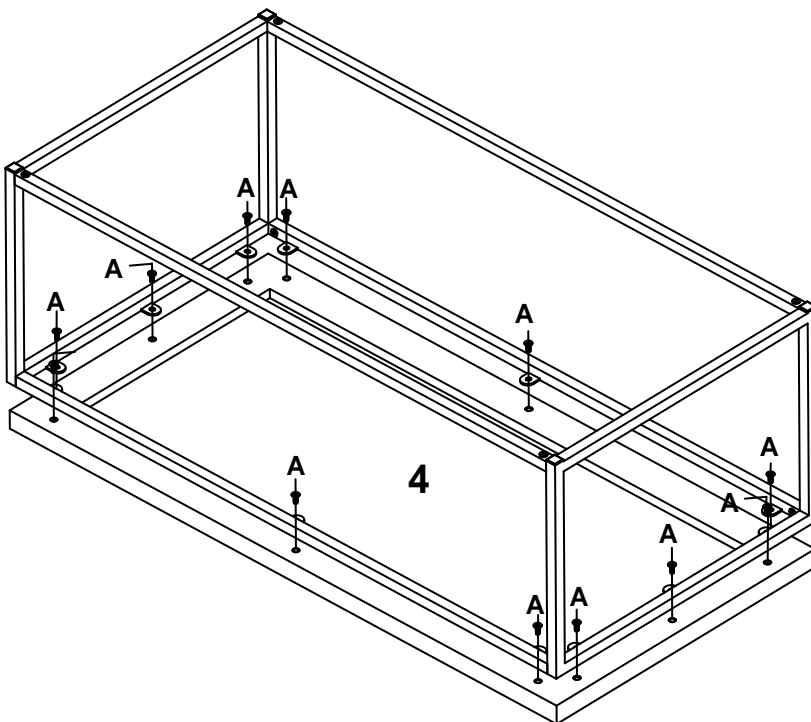
## STEP 1



\*Please put all parts on a soft surface to prevent scratches.

Attach top crossbars (2) and bottom crossbars (3) to side frames (1) by using bolts (A) as shown.

## STEP 2



Attach the assembled metal frame to wood top (4) by using bolts (A) as shown.

Tighten all bolts firmly.

Your coffee table is now completed.