

# DUO PANEL






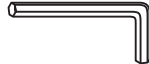
Duo Panel Twin Size

Duo Panel King Size

Examine all packaging material for small parts that may have come loose during shipment. Periodic checks are recommended to insure that all components are in proper position, tight and free from damage. Keep this assembly instruction for future reference. Adult assembly is required.

## HARDWARE LIST

- A (4) M6 x 60mm Long Allen Bolts
- B (4) M6 x 30mm Short Allen Bolts
- C (4) Flat Washers
- D (4) Spring Washers
- E (4) Hex Nuts
- F (1) Allen Wrench

PART	QTY	HARDWARE	PART	QTY	HARDWARE
A	4		B	4	
C	4		D	4	
E	4		F	1	

## PARTS LIST

- G (1) Duo Panel
- H (2) Leg Extensions

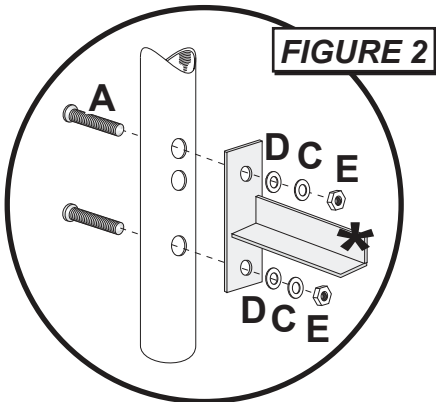


FIGURE 2

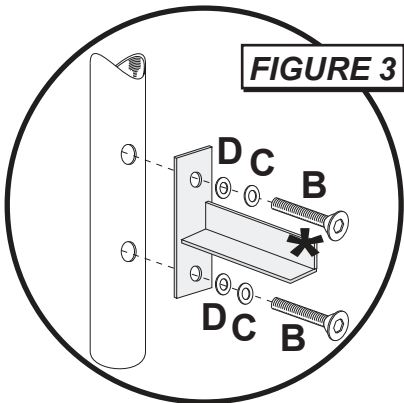
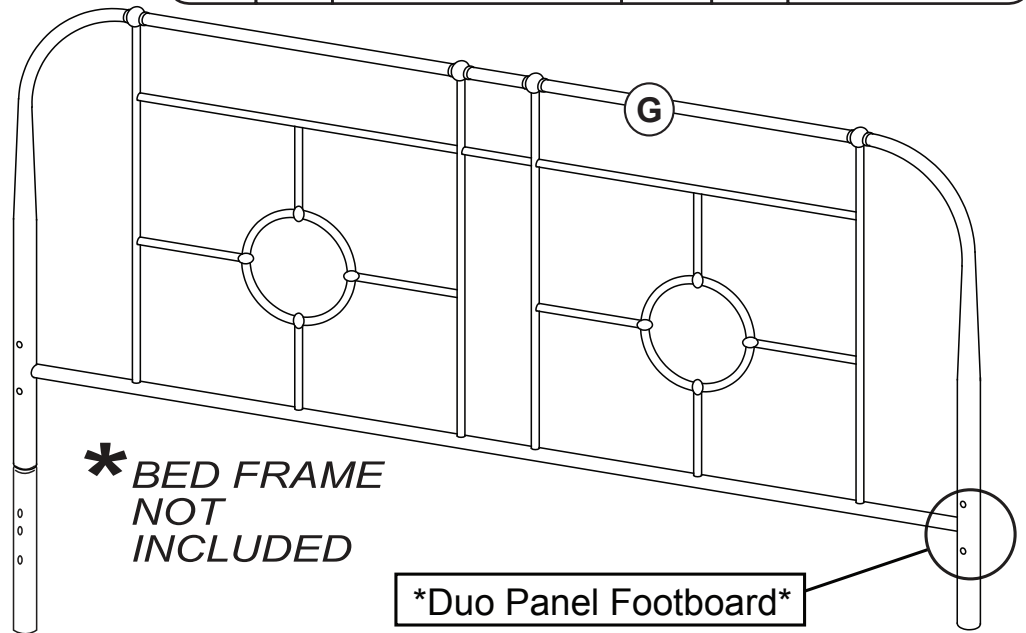


FIGURE 3



\*BED FRAME NOT INCLUDED

\*Duo Panel Footboard\*

\*Duo Panel Headboard\*

FIGURE 1

### STEP 1 - Figure 1

#### For purchase of Headboard only

Begin assembly by first attaching each Leg Extension (H) to each Post on Duo Panel (G) by firmly sliding into place.

### STEP 2 - Figure 2

#### For purchase of Footboard only

Attach Bed Frame (\*Not Included) to each Leg Extension (H) using 2 Long Allen Bolts (A) from the back side, 2 Flat Washers (C), 2 Spring Washers (D) & 2 Hex Nuts (E) per side. Tighten all bolts using Allen Wrench (F) provided. The assembly is now complete.

### STEP 3 - Figure 3

Attach Bed Frame (\*Not Included) to each Duo Panel (G) using 2 Short Allen Bolts (B), 2 Spring Washers (D) & 2 Flat Washers (C) per side. Tighten all bolts using Allen Wrench (F) provided. The assembly is now complete.