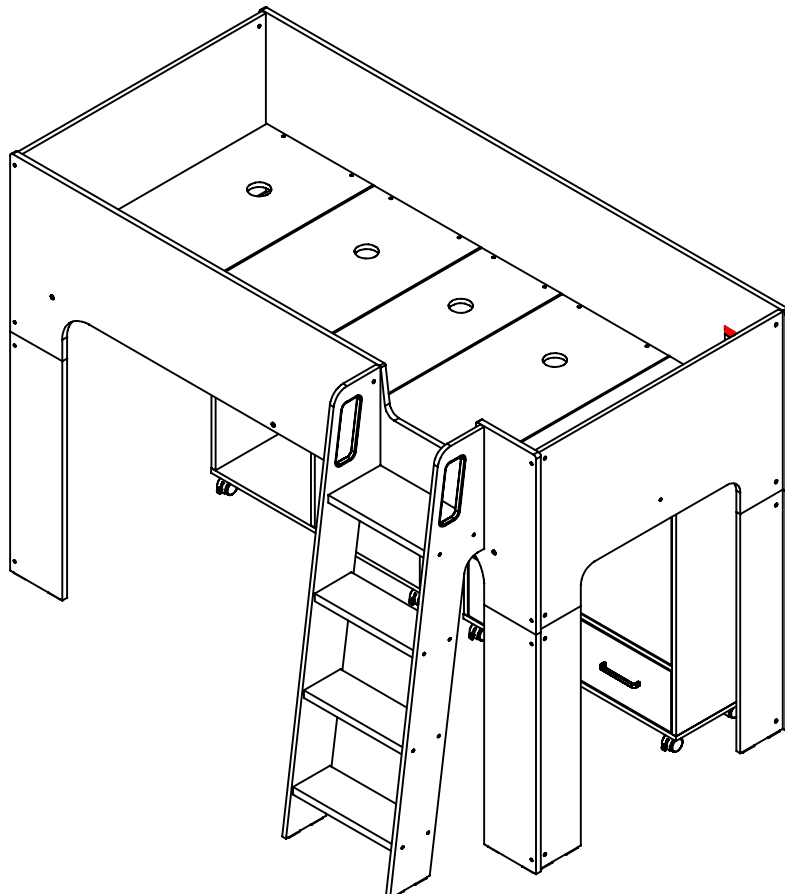
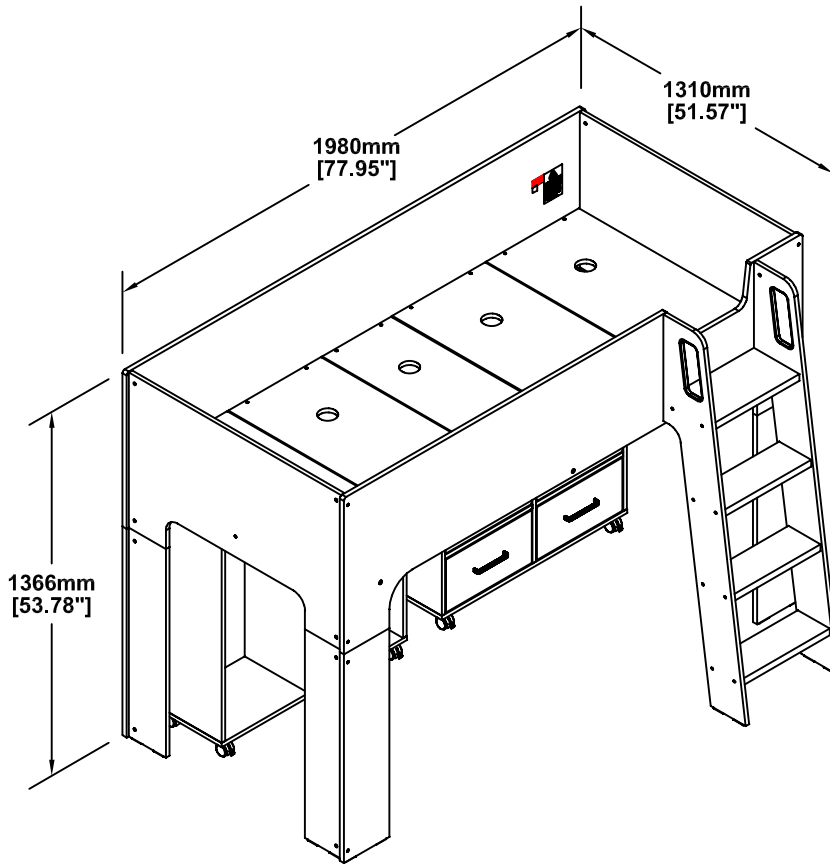


Thank you for purchasing this product. Before starting assembly we suggest you spend a short time reading through this leaflet, then follow the simple step by step guide. Two people are needed to assemble this product.



IMPORTANT- READ CAREFULLY- RETAIN FOR FUTURE REFERENCE

TOP TIPS BEFORE YOU START !

1. Please check that all parts & hardware are present before you start the assembly of your furniture.
2. For ease and speed of assembly, we recommend that before you commence each step of the assembly, Please identify all the parts required for that step.
3. We recommend that where possible, all items are assembled near to the area in which they will be placed in use, to avoid moving the product unnecessarily once assembled.
4. For the protection of your furniture, particularly items of high gloss finish, we recommend that the product is placed on a Protected surface during assembly to prevent any damage.
5. During assembly please take care not to over-tighten any fittings, as this may damage the product.

CARE AND MAINTENANCE OF YOUR FURNITURE

1. Please periodically check all fittings and re-tighten as necessary.
2. To clean your item, please use a damp cloth and wipe clean.
3. Never allow any kind of liquid to remain on your furniture. Absorption can cause wood to warp or finishes to de-laminate.
4. Please do not place hot items (e.g hot drinks) directly on the wood surface.
5. Please do not drag or pull your furniture.

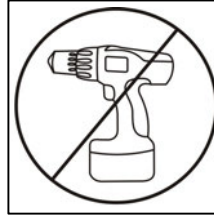
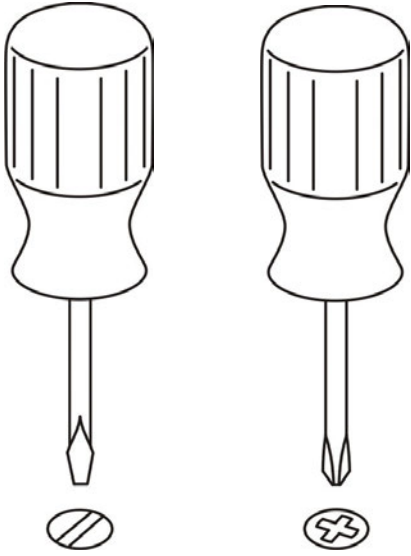
IMPORTANT INFORMATION

1. The recommended size of mattress: (W) 90cm x (L) 190cm x (H) 18cm.
2. Maximum thickness of mattress: 18cm.
3. Children should be discouraged from playing on top of this bunk bed.
4. The bunk bed should be checked periodically by the owner to ensure that the guardrail, ladder, and other components are maintained in the correct position and state of repair and that all connectors are tight.
5. A bunk bed is not to be placed near a ceiling fan unless the distance between the closest points on the ceiling fan bunk. Bed is at least 2 metres.
6. Use guardrails on both sides of upper bunk.
7. Prohibit horseplay on or under bed(s).
8. Prohibit more than one person on upper bunk.
9. Use Ladder for entering and leaving upper bunk.
10. If the bunk bed will be placed next to the wall, the guardrail that runs the full length of the bed should be placed against The wall to prevent entrapment between the bed and the wall.
11. **WARNING** Do not use the bunk bed/high bed if any structural part is broken or missing.
12. Ventilation of the room is necessary in order to keep the humidity low and to prevent mould in and around the bed.
13. **WARNING** "high beds & the upper bed of bunk beds are not suitable for children under six years due to risk of injury from falls";
14. **WARNING** "children can become trapped between the bed & the wall, a roof pitch, the ceiling, adjoining pieces of furniture (e.g.cupboard) and the like. To avoid risk of serious injury the distance between the top safety barrier and the adjoining structure shall not exceed 75mm nor shall be more than 230mm",
15. This child bed conforms to BS EN 747-1 : 2012 + A1 : 2015 & BS EN 747-2 : 2012 + A1 : 2015, "Furniture - Bunk beds and high beds".
16. Always follow the manufacturer's instructions.
17. A statement that ventilation of the room is necessary in order to keep the humidity low and to prevent mould in and around the bed.
18. All bunk beds and high beds intended to be assembled by other than the manufacturer or his/her representative shall include assembly instructions including a list of the parts supplied and details of any tools required to assemble the bed.

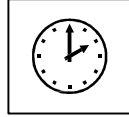
STRANGULATION HAZARD:

19. Never attach or hang items to any part of the bunk bed that are not designed for use with the bed for example, but not limited to hook, belt and jump ropes.
20. **WARNING** "Bunk Beds and high beds can present a serious risk of injury from strangulation if not used correctly. Never attach or hang items to any part of the bunk bed that are not designed to be used with the bed. for example, but not limited to ropes, strings, cords, hooks, belts and bags"

Tools Required For Assembly



DO NOT USE POWER TOOLS TO ASSEMBLE THIS PRODUCT. USE OF POWER TOOLS WILL INVALIDATE ANY CLAIM AND MAY DAMAGE THIS PRODUCT MAKING IT UNSAFE.

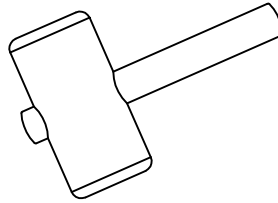


Approximately 3 hour

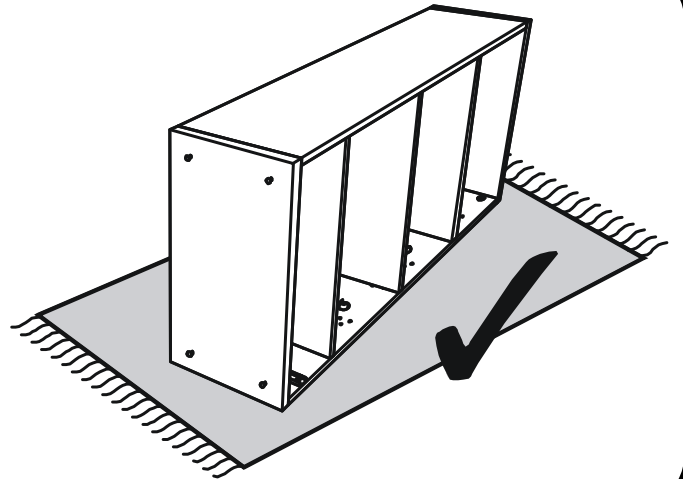
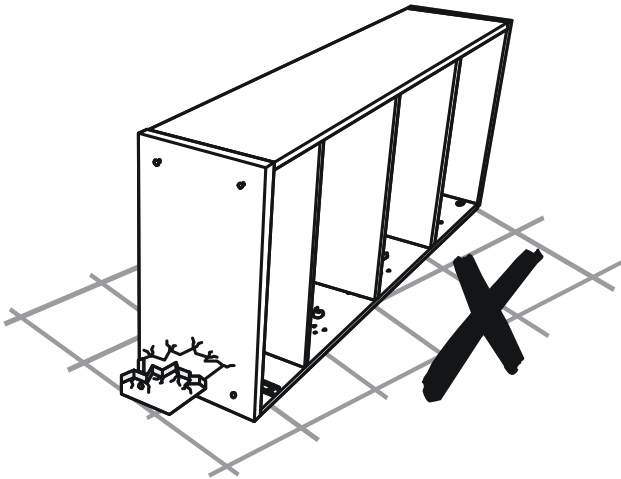
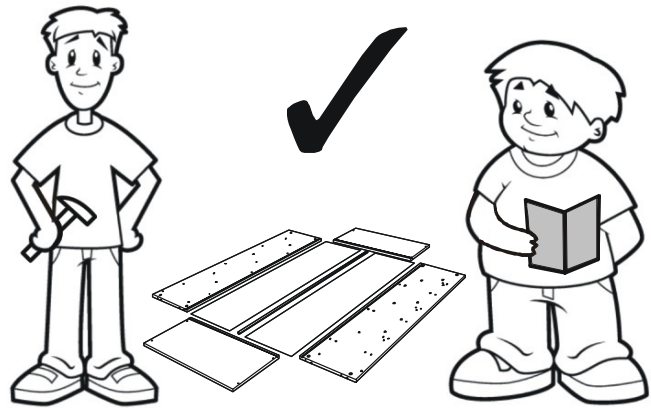
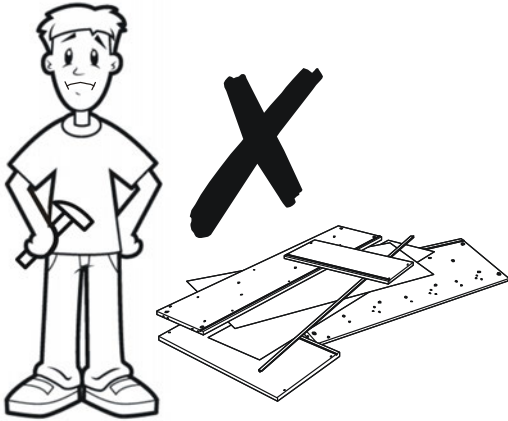
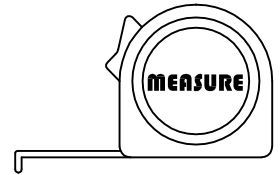


2 People Required

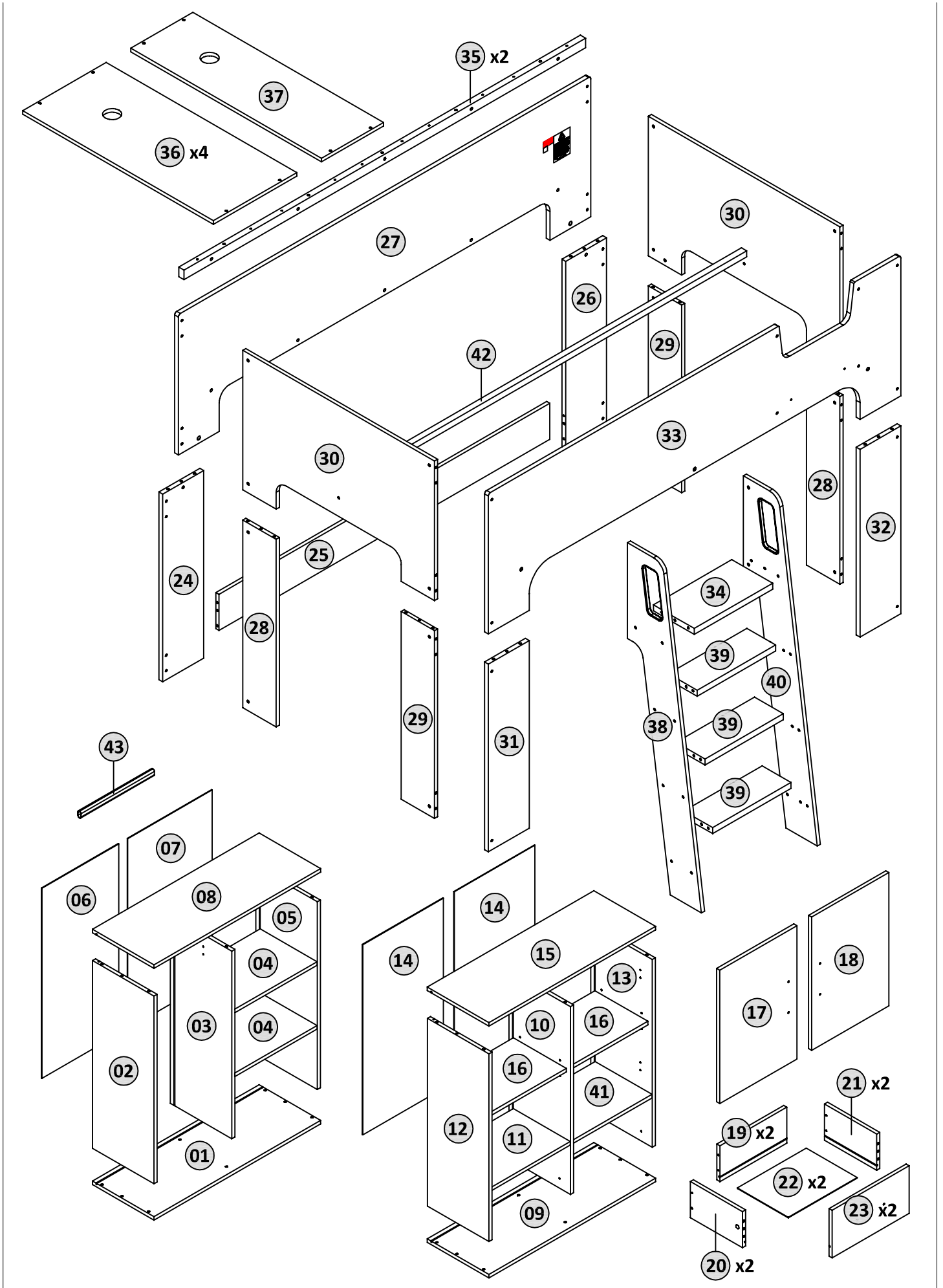
Rubber Hammer














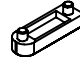















Tape Measure



Carton 1 of 4			Carton 3 of 4		
No.	Part Name	Pcs	No.	Part Name	Pcs
23	Front Panel (Drawer)	2	01	Bottom Panel (Wardrobe)	1
25	Back Support Panel	1	02	Left Panel (Wardrobe)	1
27	Back Side Panel	1	03	Centre Panel (Wardrobe)	1
33	Front Side Panel	1	04	Centre Panel (Wardrobe)	2
35	Side Rail	2	05	Right Panel (Wardrobe)	1
38	Ladder Left Panel	1	08	Top Panel (Wardrobe)	1
39	Ladder Step	1	09	Bottom Panel (Cabinet)	1
40	Ladder Right Panel	1	10	Centre Panel (Cabinet)	1
42	Bottom Support Rail	1	11	Centre Panel (Cabinet)	1
43	Hanging Rail	1	12	Left Panel (Cabinet)	1
			13	Right Panel (Cabinet)	1
Carton 2 of 4			15	Top Panel (Cabinet)	1
19	Back Panel (Drawer)	2	16	Moveable Panel (Cabinet)	2
20	Left Panel (Drawer)	2	41	Centre Panel (Cabinet)	1
21	Right Panel (Drawer)	2			
24	Back Post	1	Carton 4 of 4		
26	Back Post	1	06	Back Panel (Wardrobe)	1
28	Side Post	2	07	Back Panel (Wardrobe)	1
29	Side Post	2	14	Back Panel (Cabinet)	2
31	Front Post	1	17	Left Door (Cabinet)	1
32	Front Post	1	18	Right Door (Cabinet)	1
36	Base Panel	4	22	Bottom Panel (Drawer)	2
Assembly Instructions + Fitting List			30	Side Panel	2
			34	Ladder Step	1
			37	Base Panel	1
			39	Ladder Step	2



No.	Part Name		Qty
A	Cam		32
B	Cam Stud		24
C	M8 x 25mm Dowel		92
D	M8 x 30mm Dowel		8
E	M6 x 40mm Unitar Screw		26
F	38mm Chipboard Screw		8
G	22mm Chipboard Screw		16
H	14mm Chipboard Screw		72
J	10" Drawer Slide		2 set
K	End Hinges		4 set
L	40mm Plate PP Castor with Lock		4
M	40mm Plate PP Castor w/o Lock		4
N	Metal Shelf Support		8
P	Door Stopper		2
Q	Hanging Rail Holder		2
R	Handle		4
S	20mm Handle Screw		8
T	PVC Back Support		16
U	M6 x 13mm Baller		28
V	M6 Round Nut		16
W	M6 x 55mm JCBC Unitar		36
X	M6 x 35mm Allen Bolt		12
Y	Contractfix Dowel		8
Z	M6 x 15mm JCN Nut		6
A1	M6 Allen Wrench		2
A2	Felt Pads (45 x 14mm)		20
A3	Sticker 25mm		32






Caution

There are many small components used in the construction of this unit. These loose items should be kept away from young children whilst assembling your unit. As an extra precaution, screw cover caps should be permanently fixed in position. (Where applicable)



USEFUL HINTS & TIPS

Two people will be required to assemble this unit


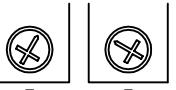
Please keep this assembly instruction for future reference

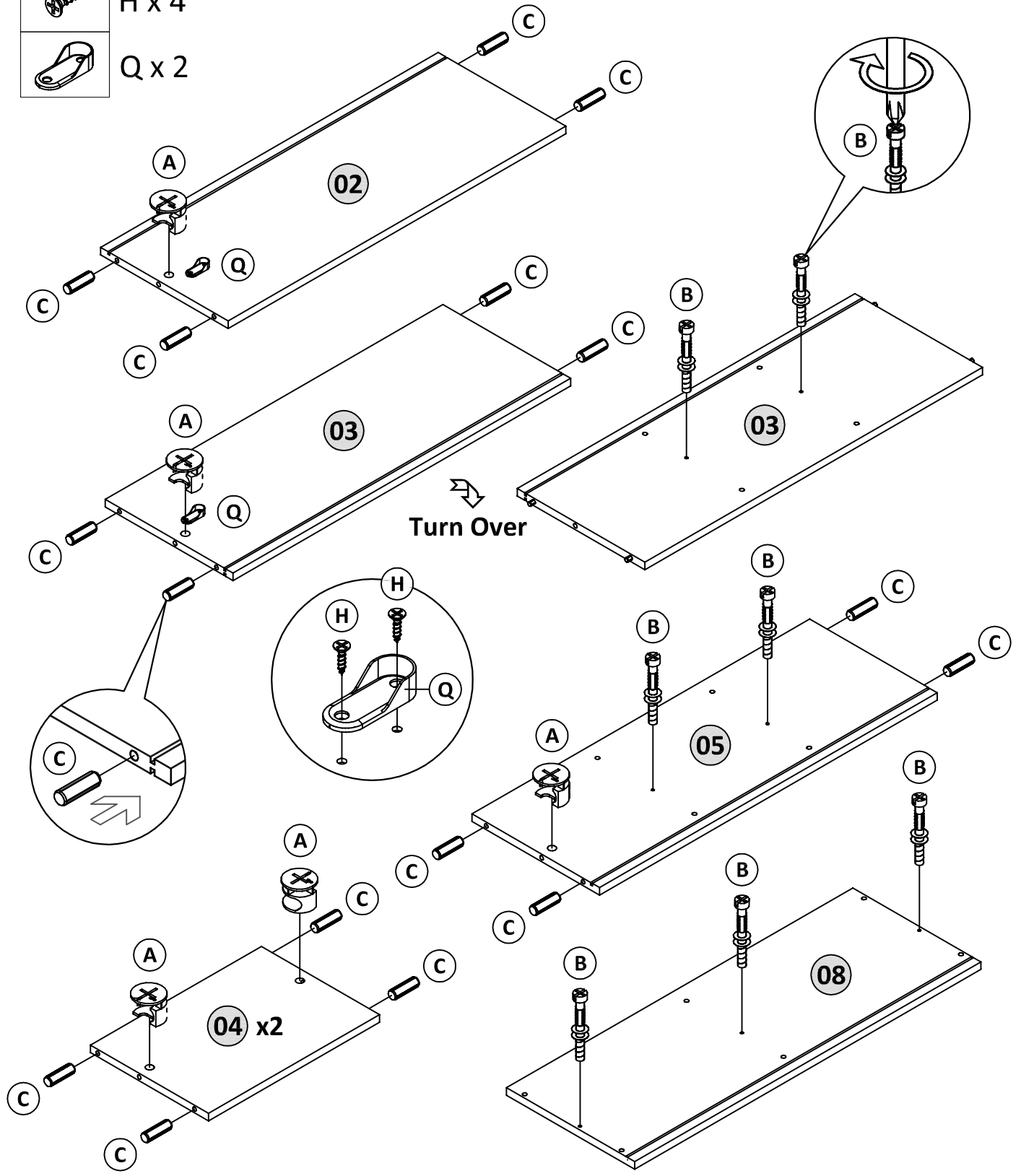
- 1
-  A x 7
 -  B x 7
 -  C x 20
 -  H x 4
 -  Q x 2

WHEN FITTING CAM STUD
ENSURE THE CAM STUD IS FULLY TIGHTEN IN

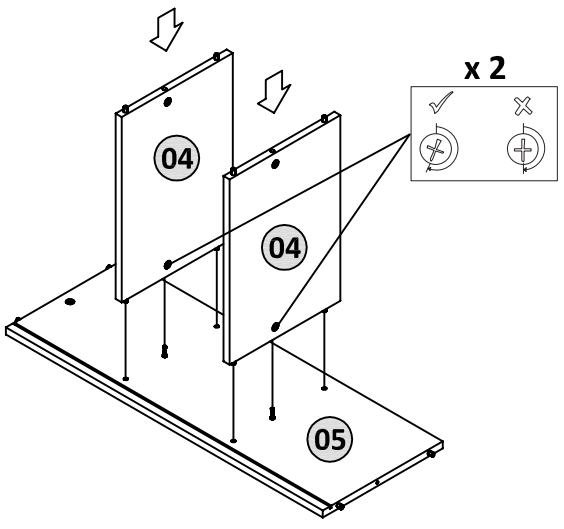
✓		✗	
<u>CORRECT</u>		<u>WRONG</u>	

WHEN FITTING CAMS
ENSURE STARTING POSITION IS CORRECT
BEFORE YOU INSERT CONNECTING BOLT
TURN CLOCKWISE UNTIL SECURE

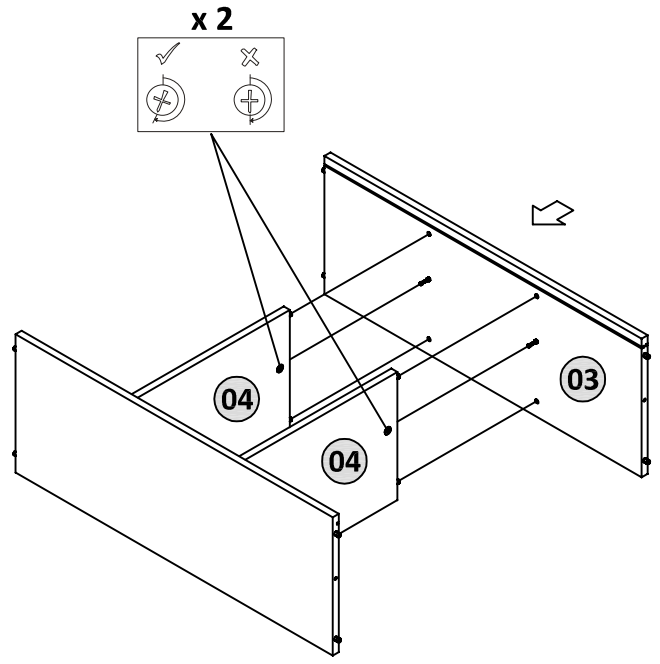
✓		✗	
<u>CORRECT</u>		<u>WRONG</u>	



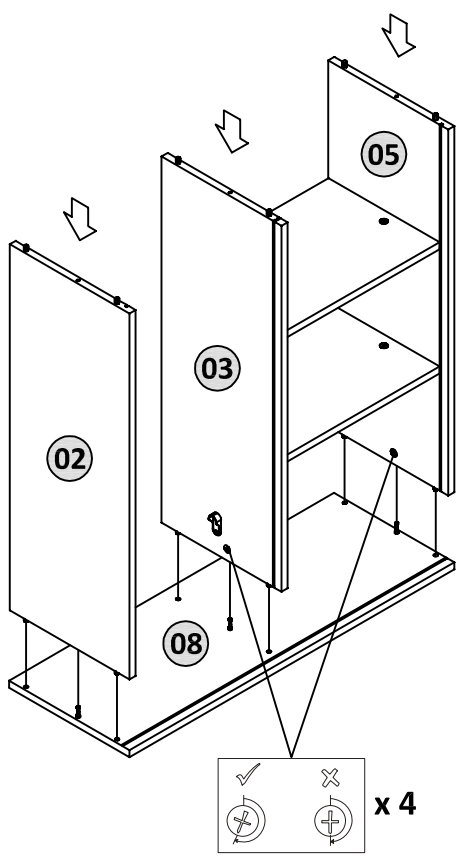
2



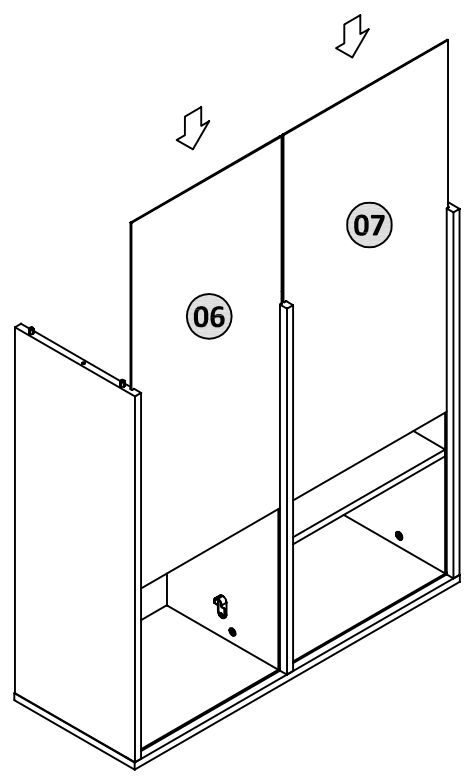
3

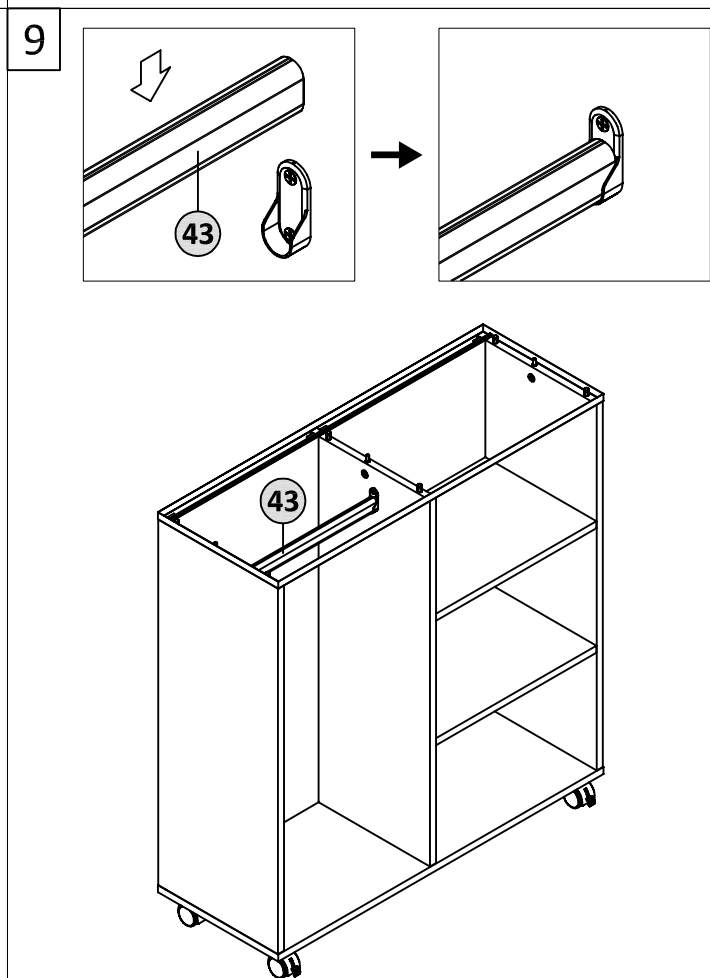
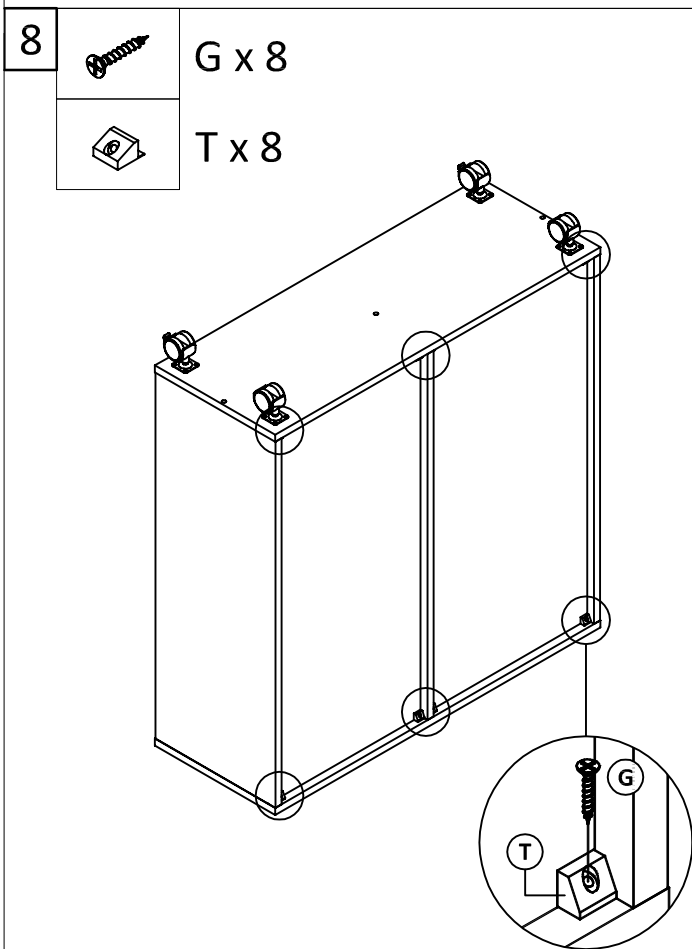
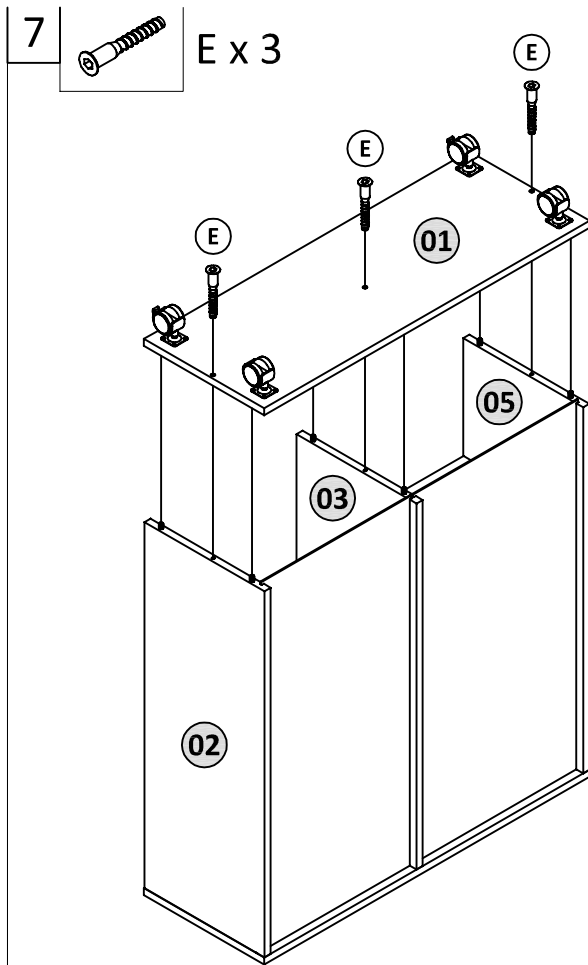
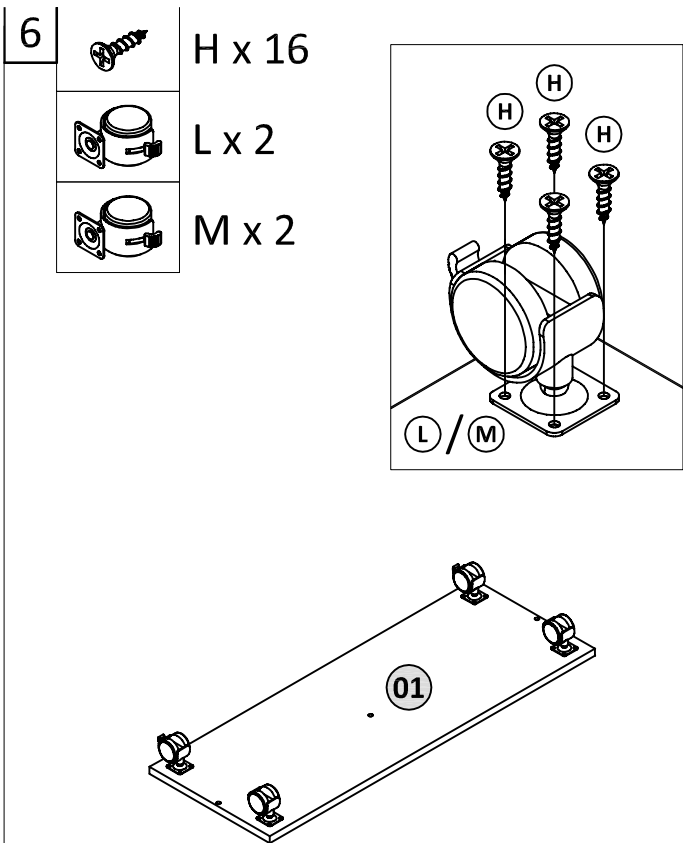


4



5

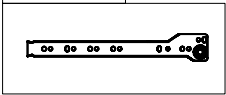




10

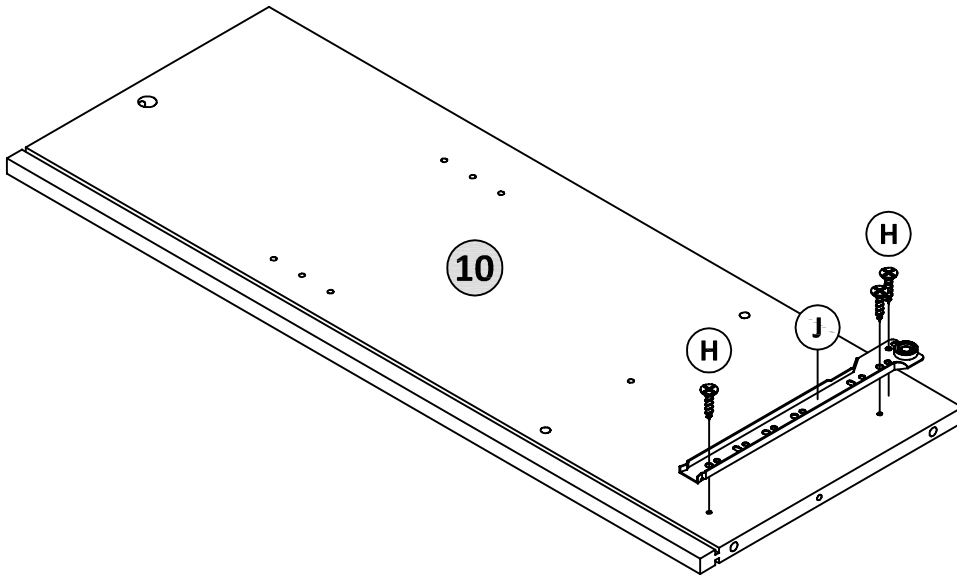
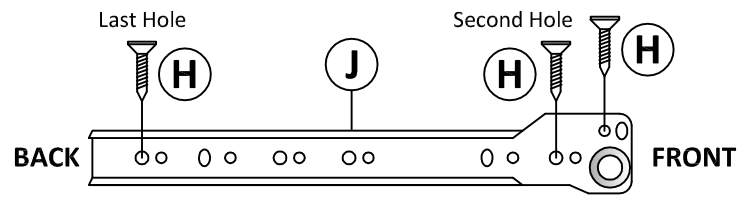


H x 3

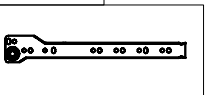


J x 1

To Assembly the Drawer Slide, Please Follow Step as Below

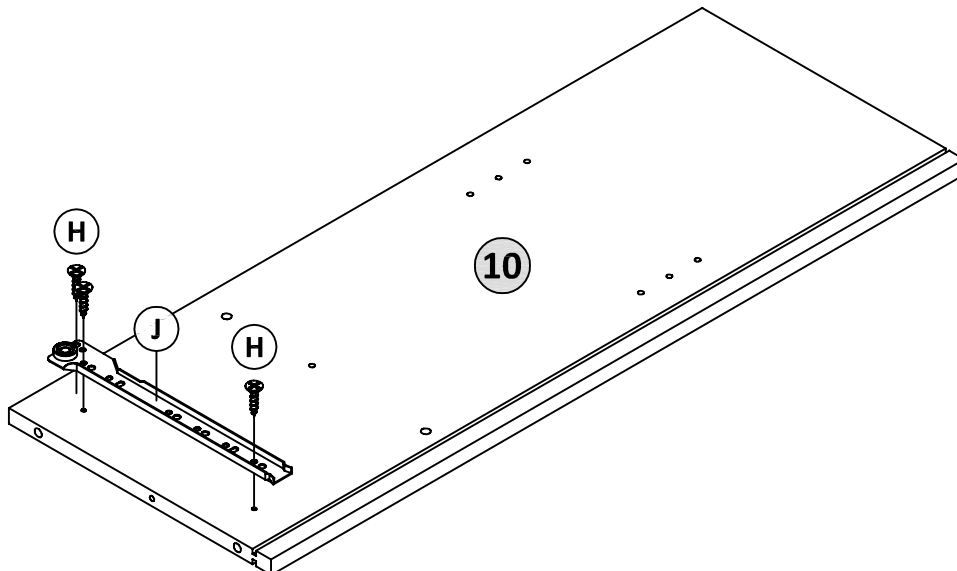
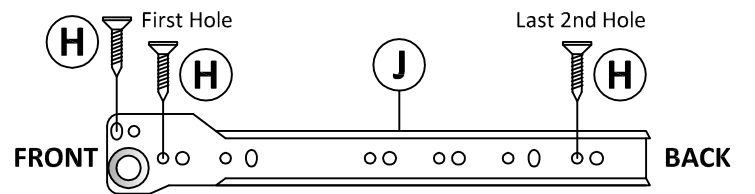


H x 3



J x 1

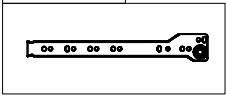
To Assembly the Drawer Slide, Please Follow Step as Below



11

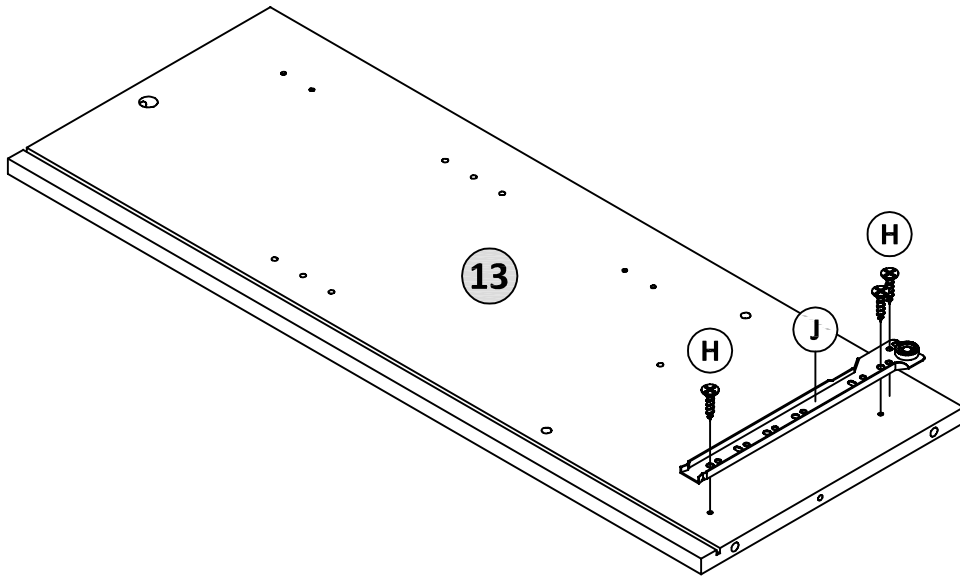
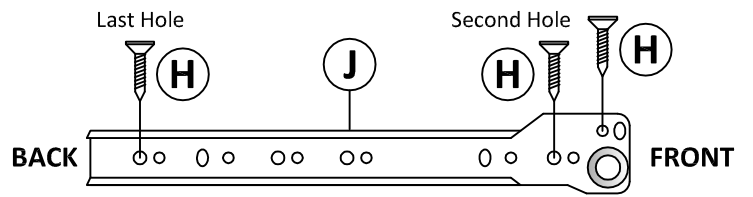


H x 3

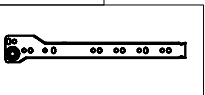


J x 1

To Assembly the Drawer Slide, Please Follow Step as Below

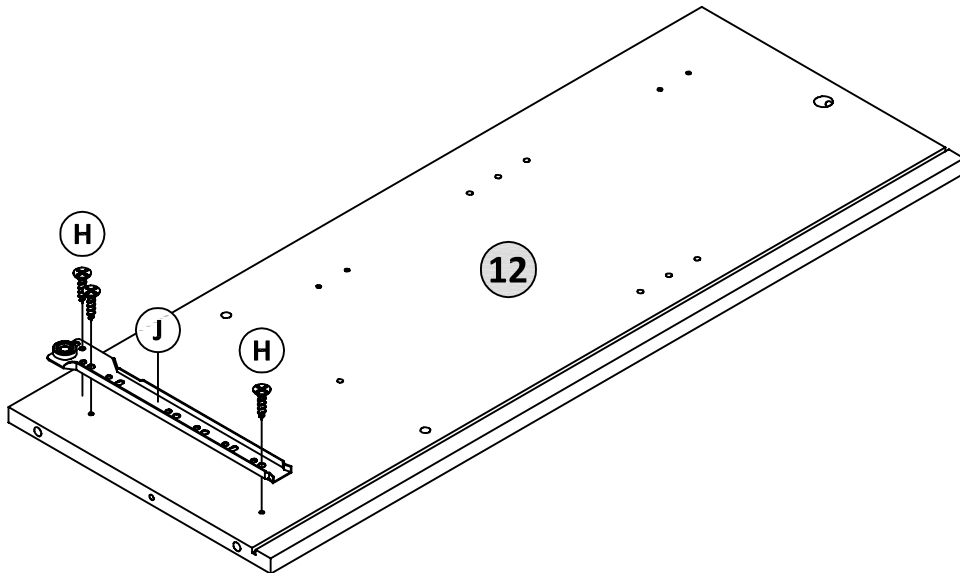
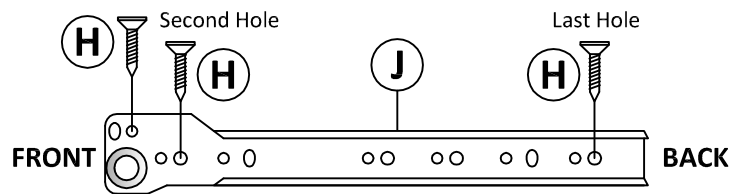


H x 3




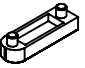


J x 1



To Assembly the Drawer Slide, Please Follow Step as Below




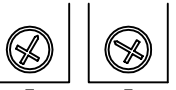
12

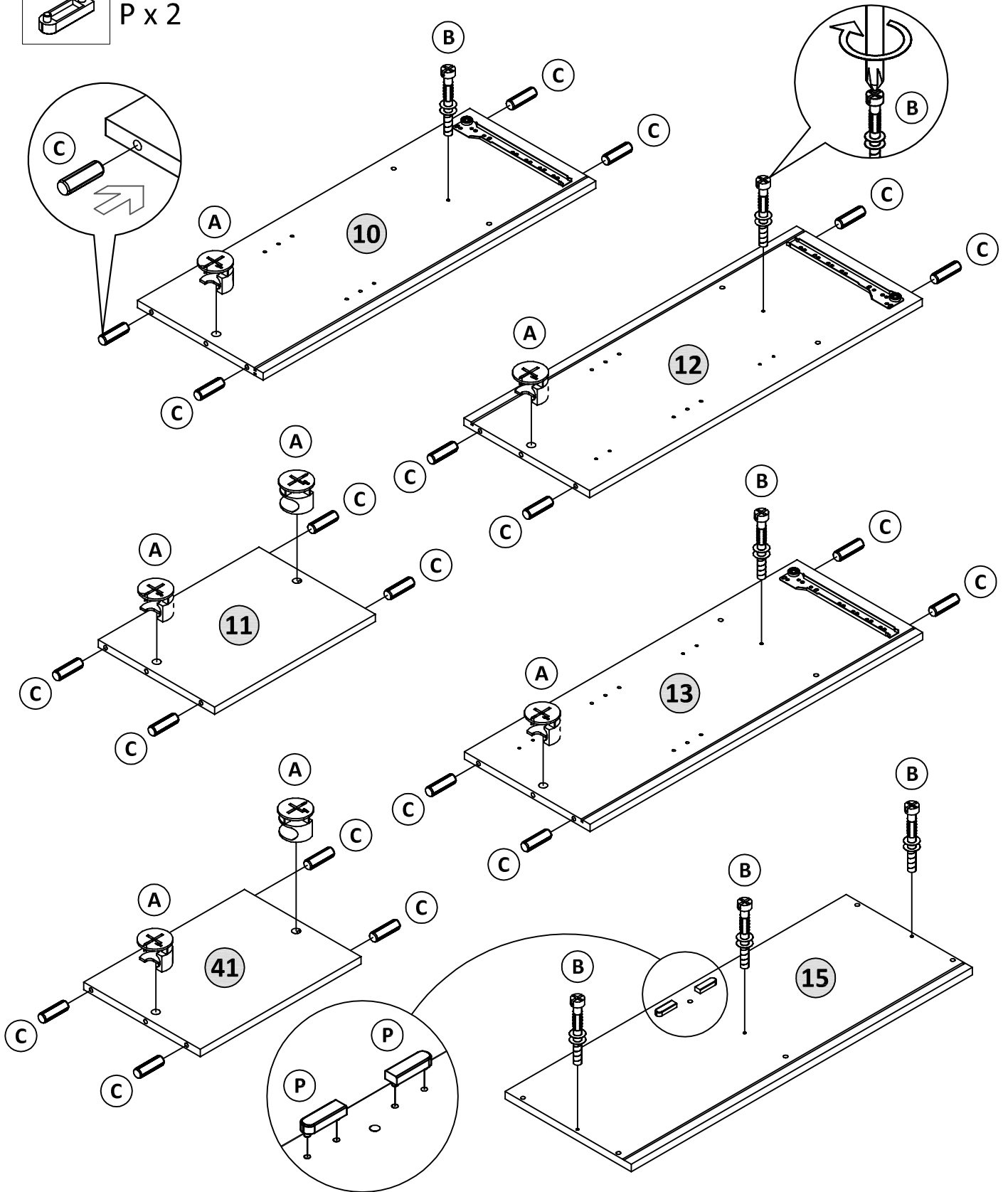
-  A x 7
-  B x 6
-  C x 20
-  P x 2

WHEN FITTING CAM STUD
ENSURE THE CAM STUD IS FULLY TIGHTEN IN

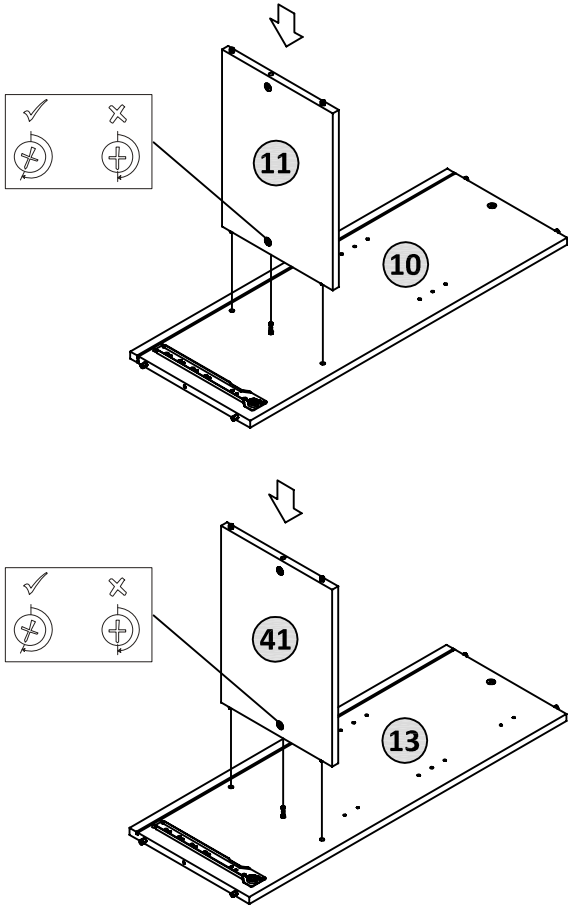
✓ 	✗ 
CORRECT	WRONG

WHEN FITTING CAMS
ENSURE STARTING POSITION IS CORRECT BEFORE YOU INSERT CONNECTING BOLT TURN CLOCKWISE UNTIL SECURE

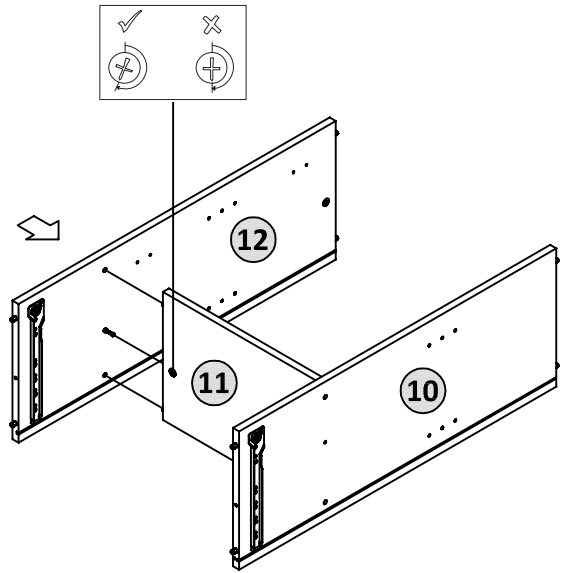
✓ 	✗ 
CORRECT	WRONG



13



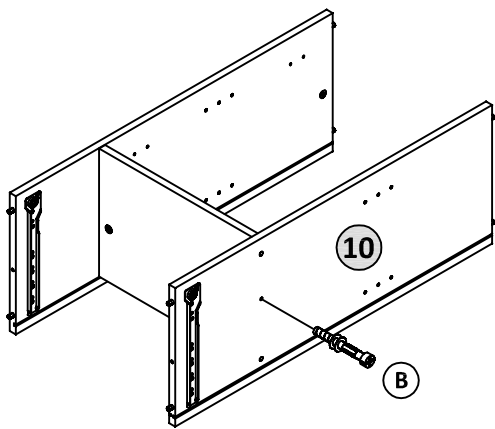
14



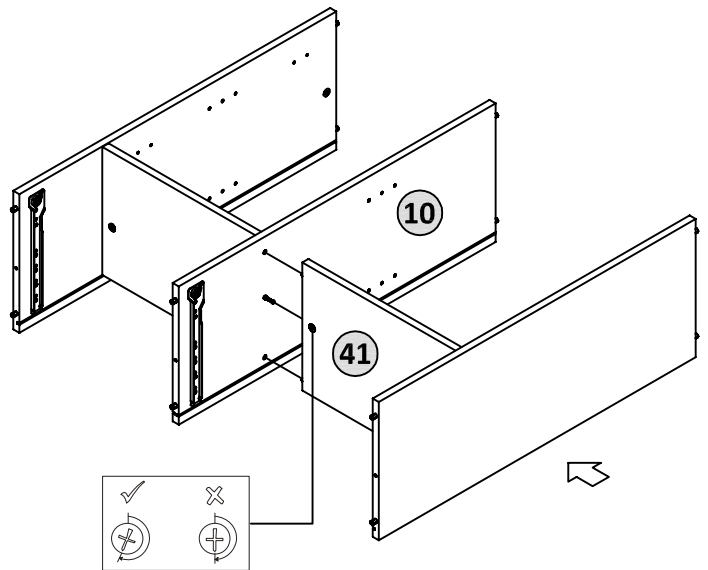
15



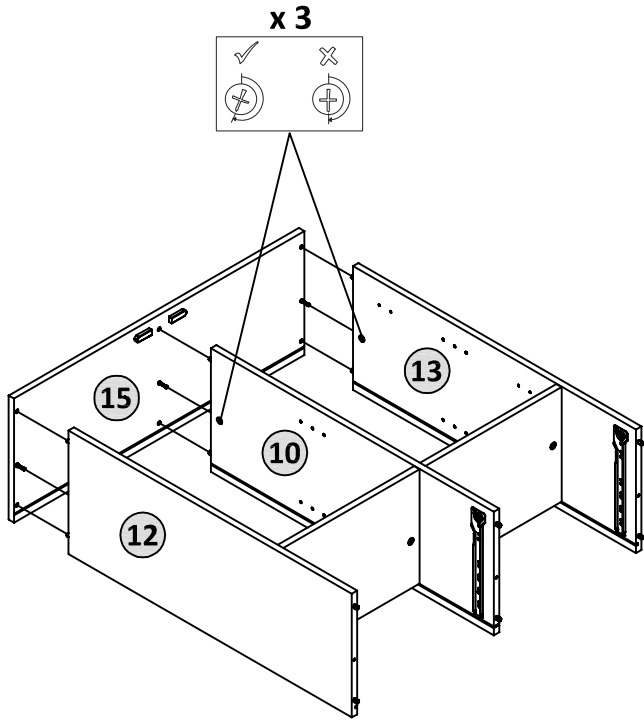
B x 1



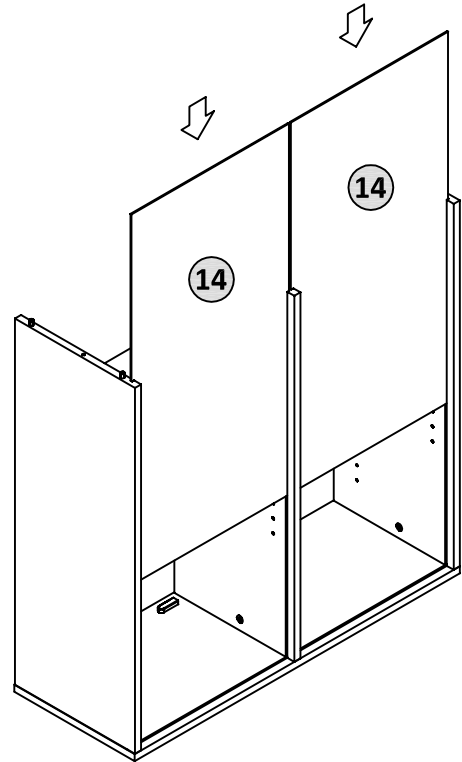
16






17

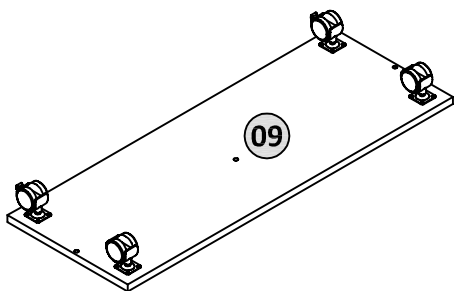
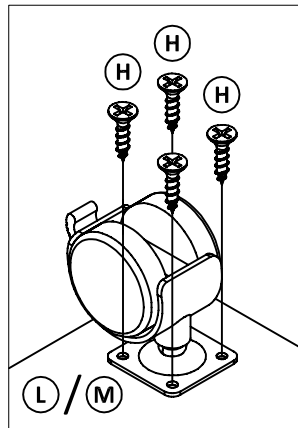


18



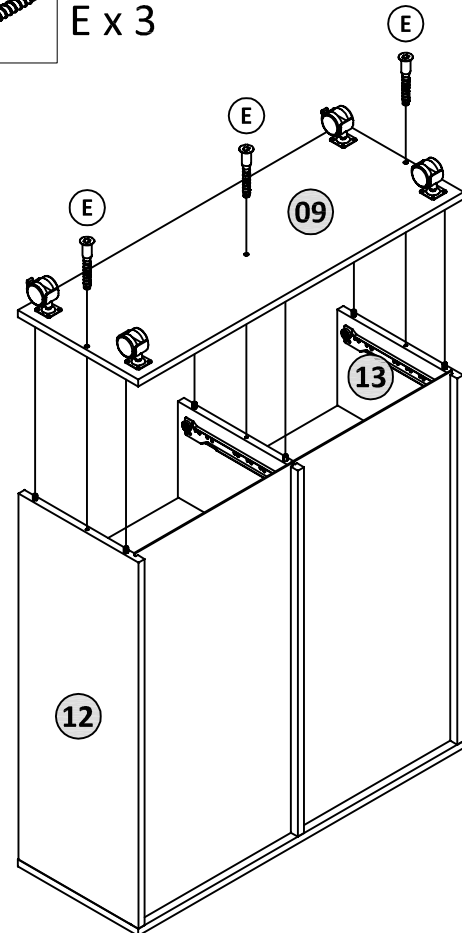
19

-  H x 16
-  L x 2
-  M x 2



20

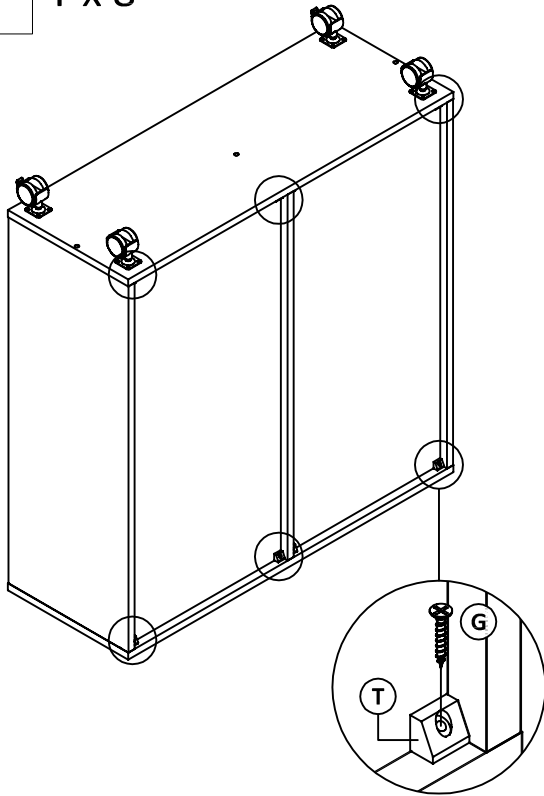
-  E x 3



21 G x 8



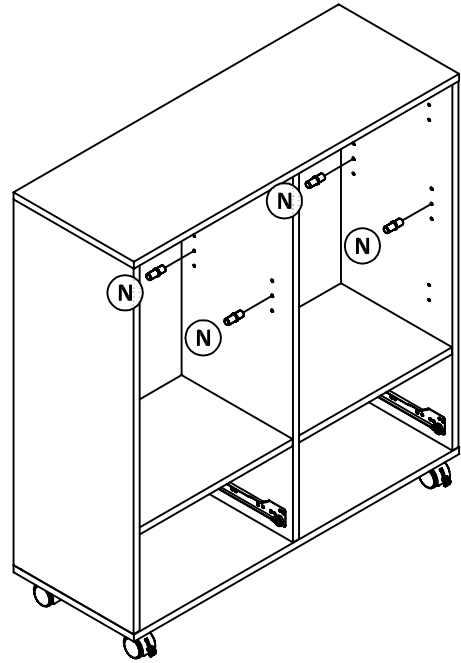
T x 8



22 N x 4



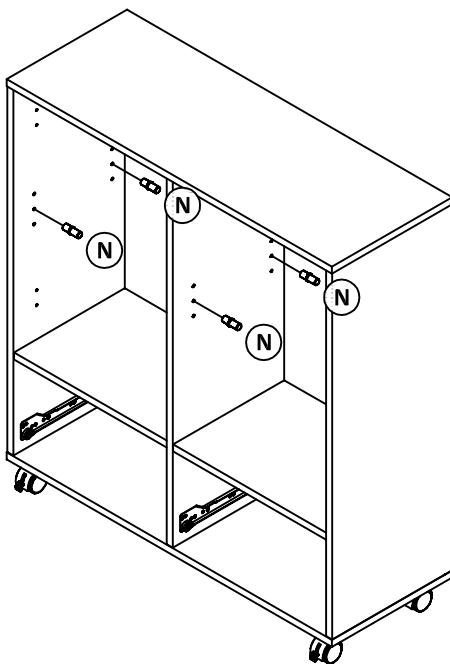
N x 4



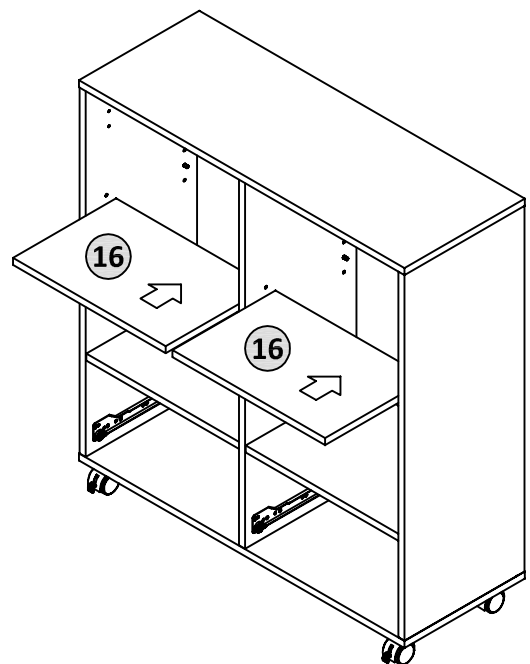
23 N x 4



N x 4



24



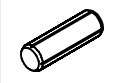
25



A x 4



B x 4



C x 8

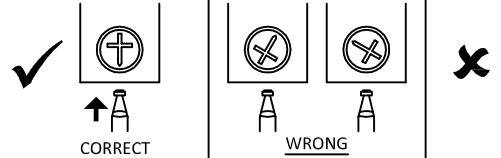
WHEN FITTING CAM STUD
ENSURE THE CAM STUD IS FULLY TIGHTEN IN



CORRECT WRONG

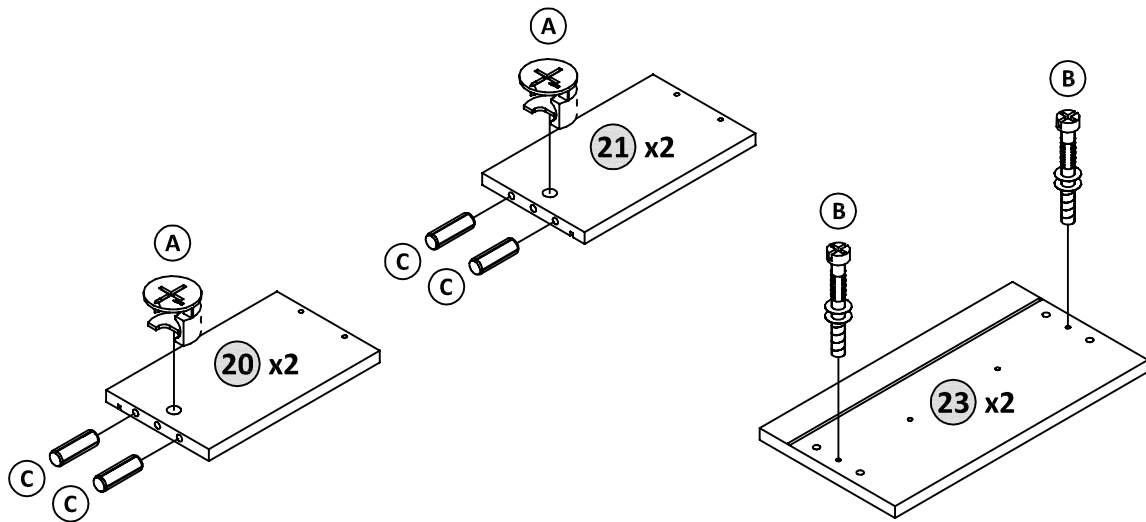
WHEN FITTING CAMS

ENSURE STARTING POSITION IS CORRECT
BEFORE YOU INSERT CONNECTING BOLT
TURN CLOCKWISE UNTIL SECURE



CORRECT

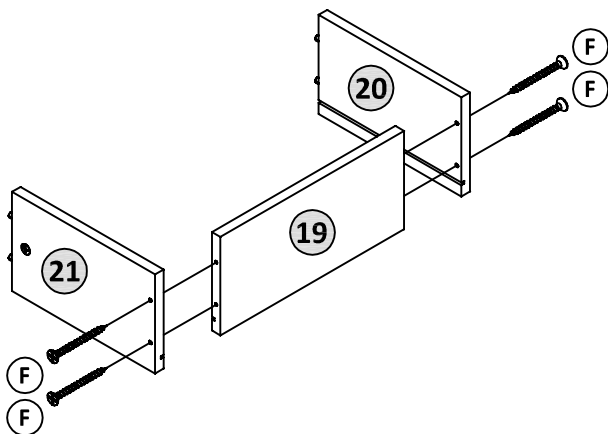
WRONG



26

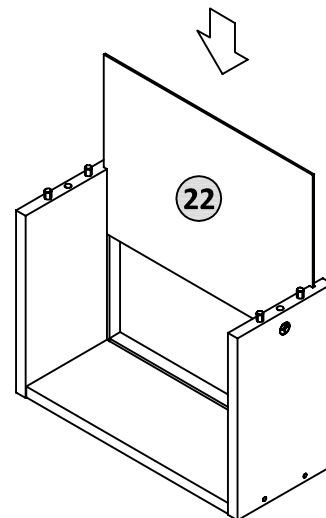


F x 8



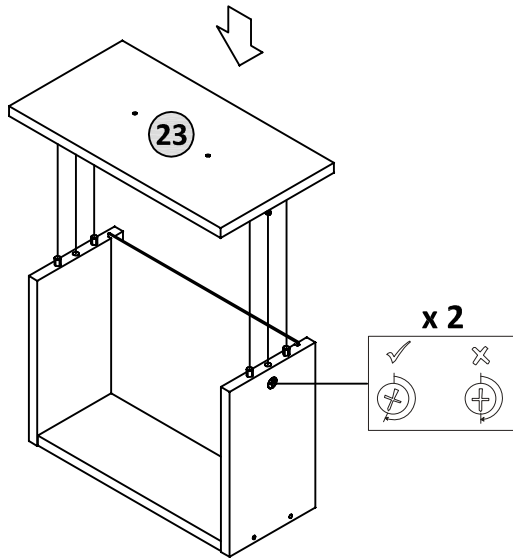
x 2

27



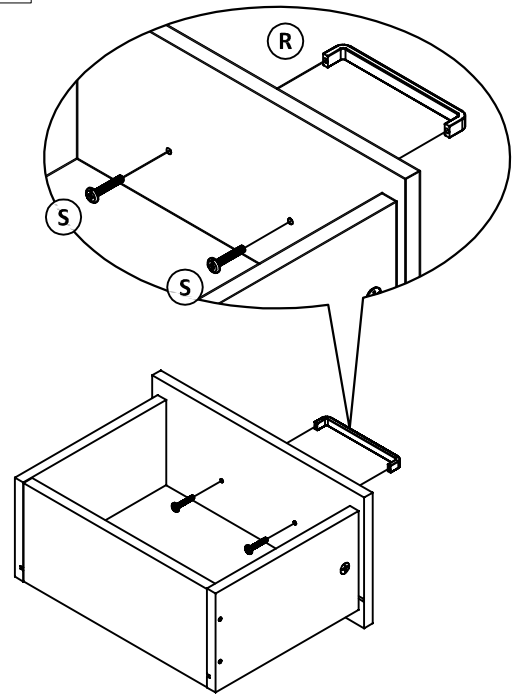
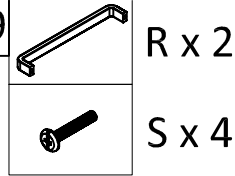
x 2

28



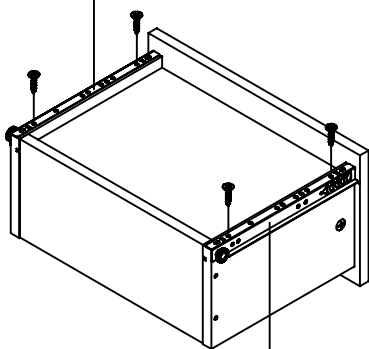
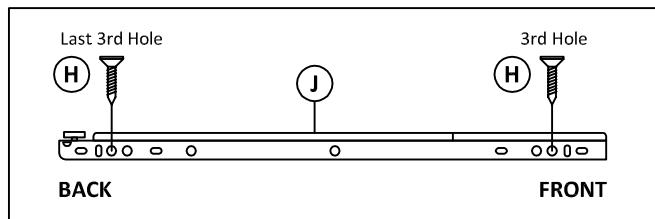
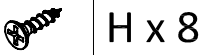
x 2

29

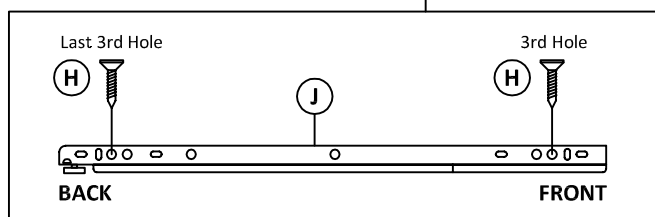


x 2

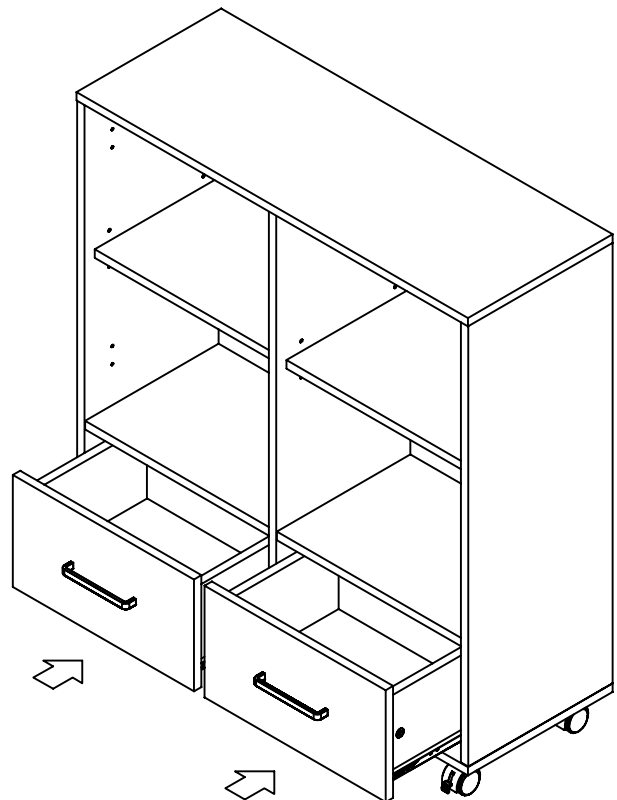
30

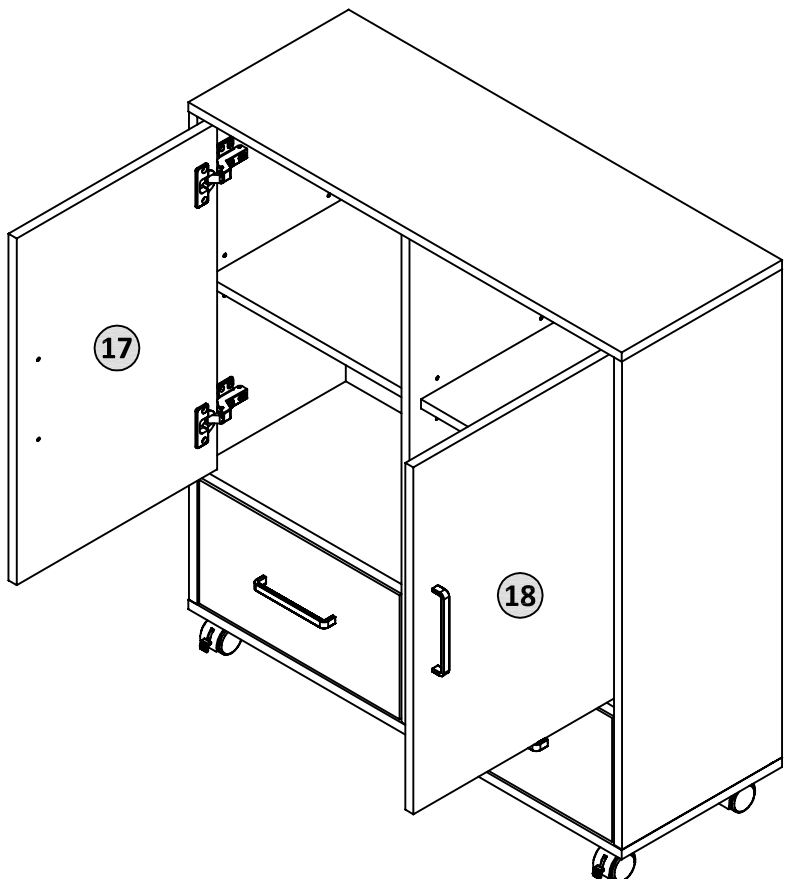
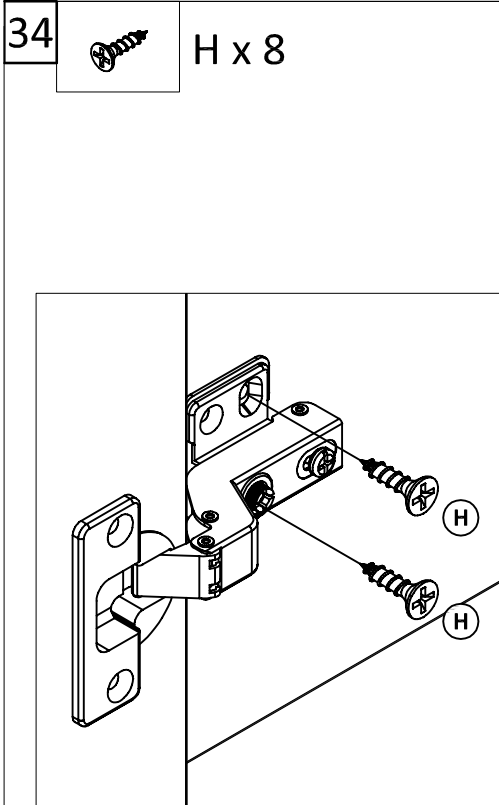
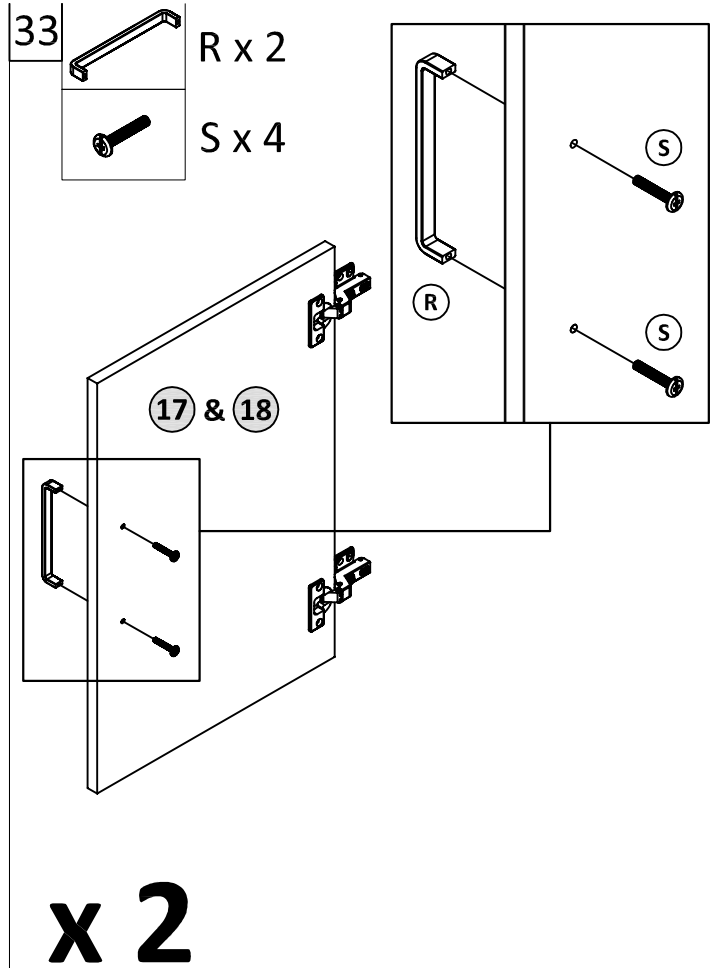
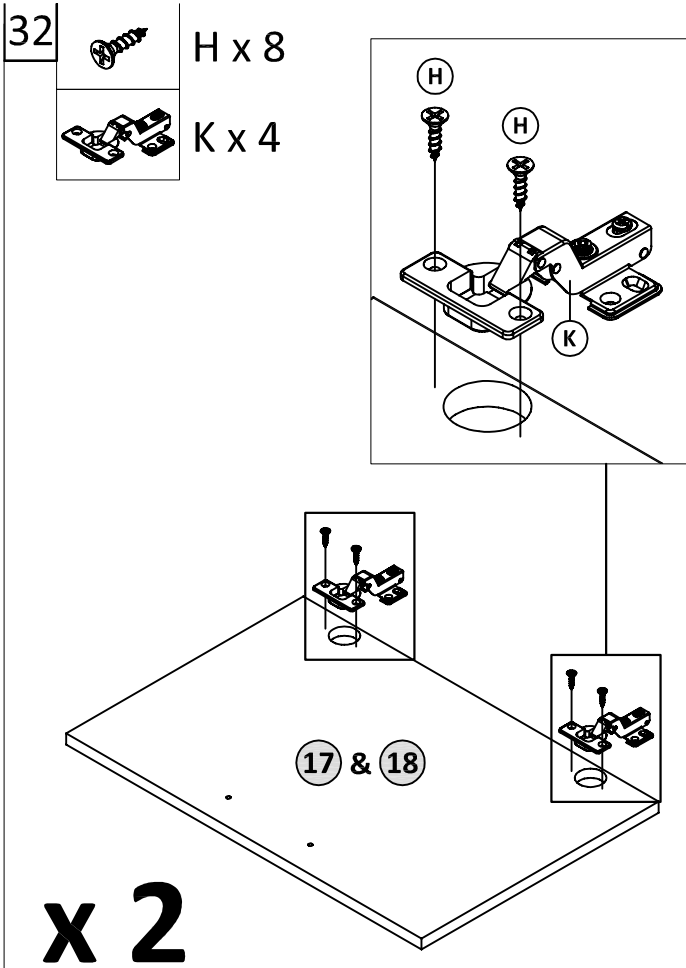


x 2

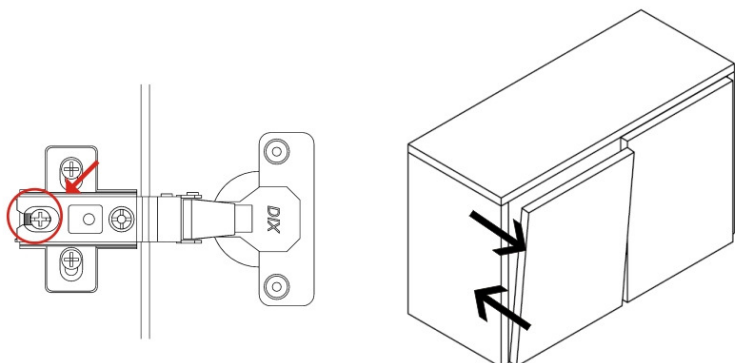


31

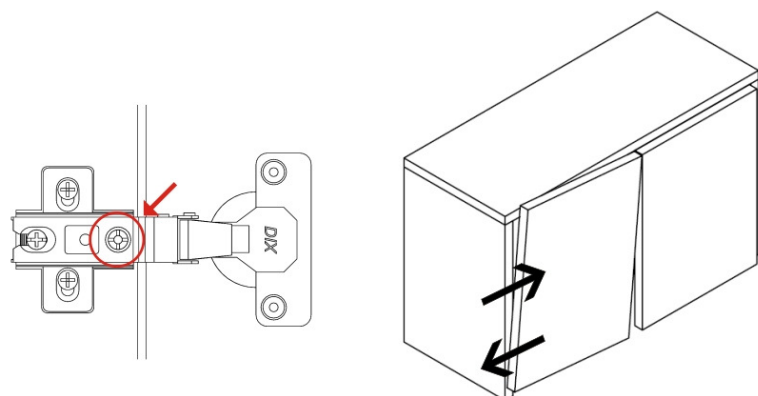




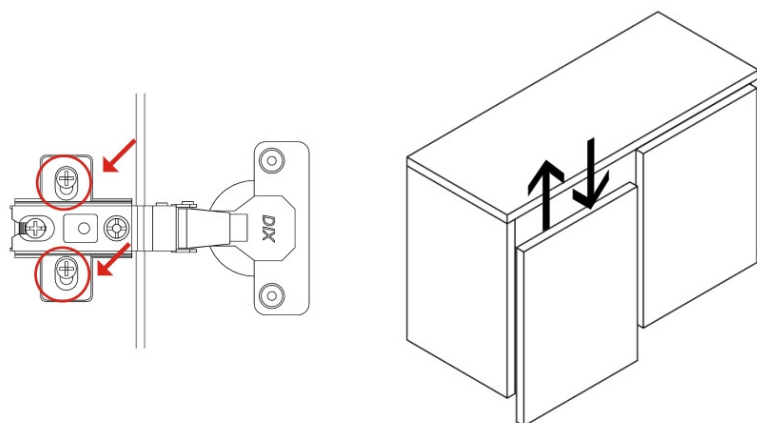
Adjusting Possibilities



Depth Adjustment
after loosening the hinge
arm mounting screw



Lateral Adjustment
by adjusting screw

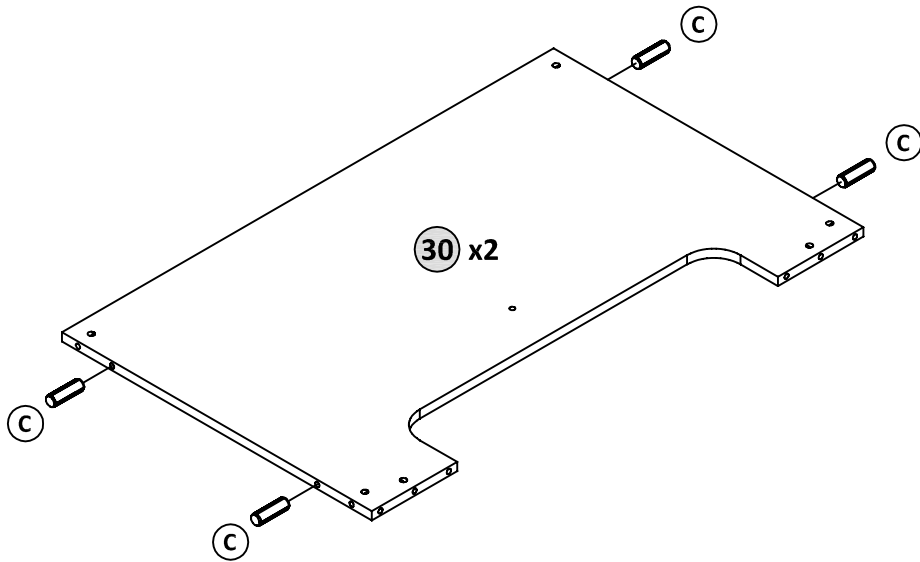


Vertical Adjustment
via mounting plate (via
slots or, if in two pieces,
via screw)

35



C x 8



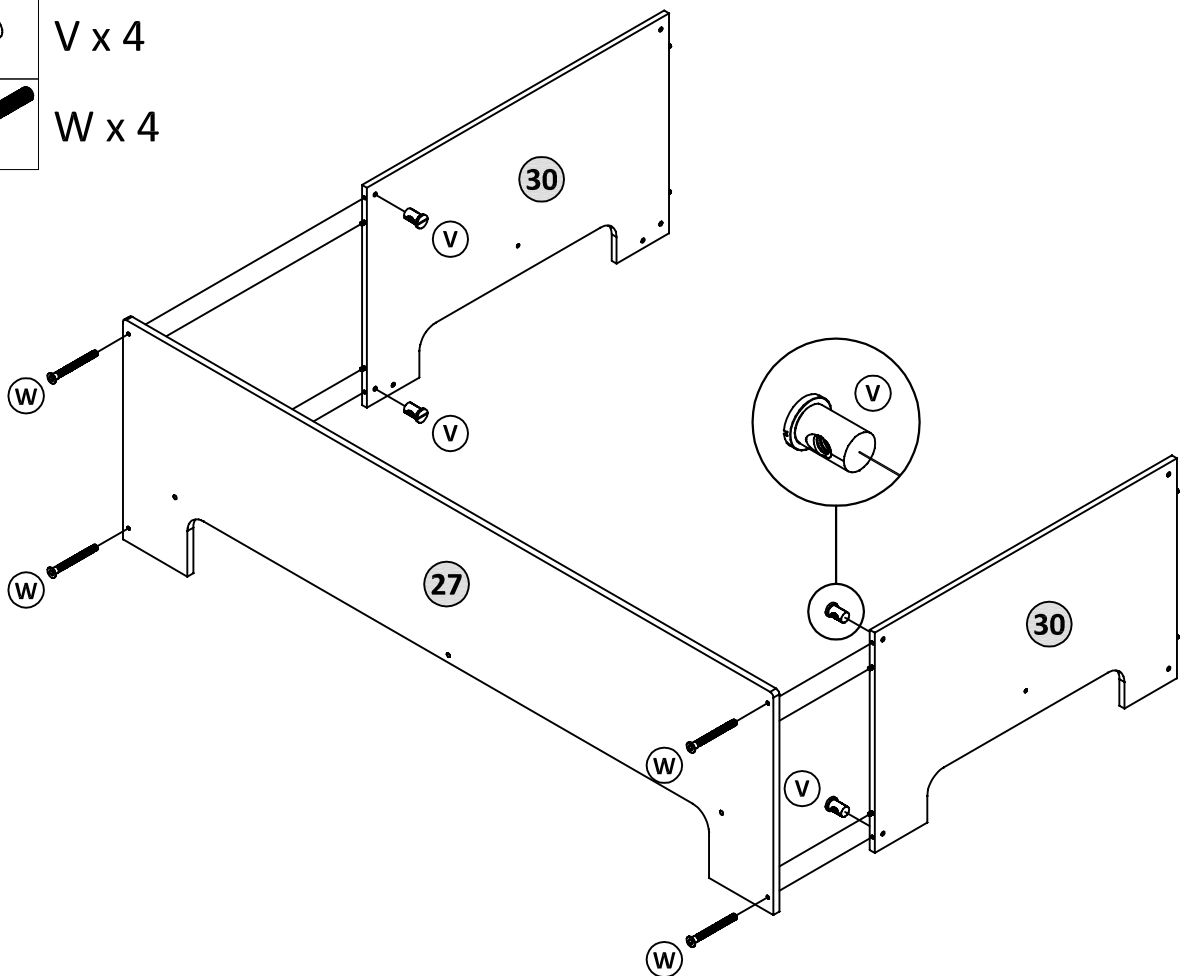
36



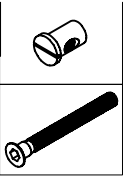
V x 4



W x 4

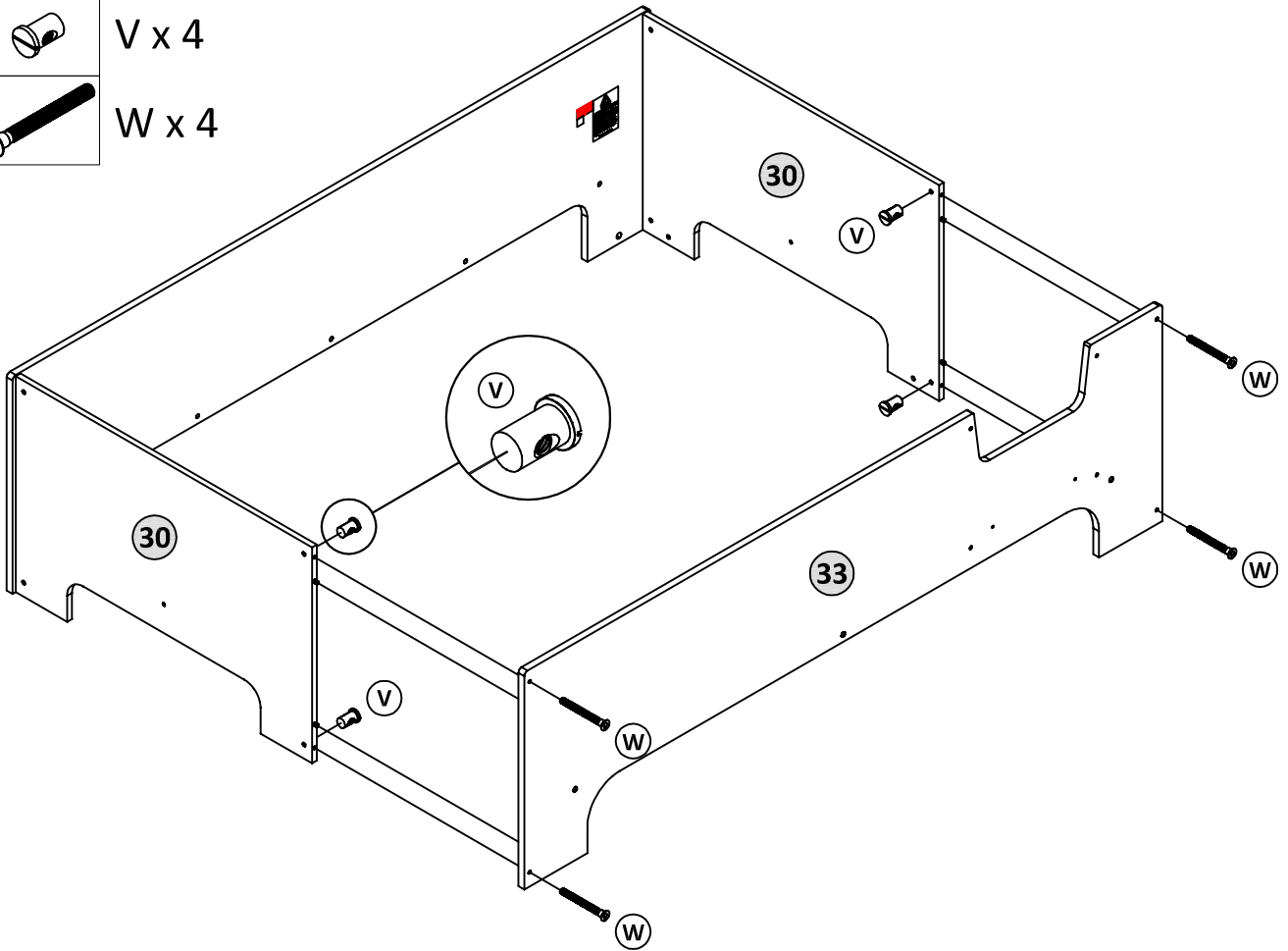


37

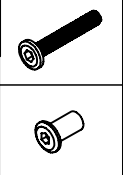


V x 4

W x 4

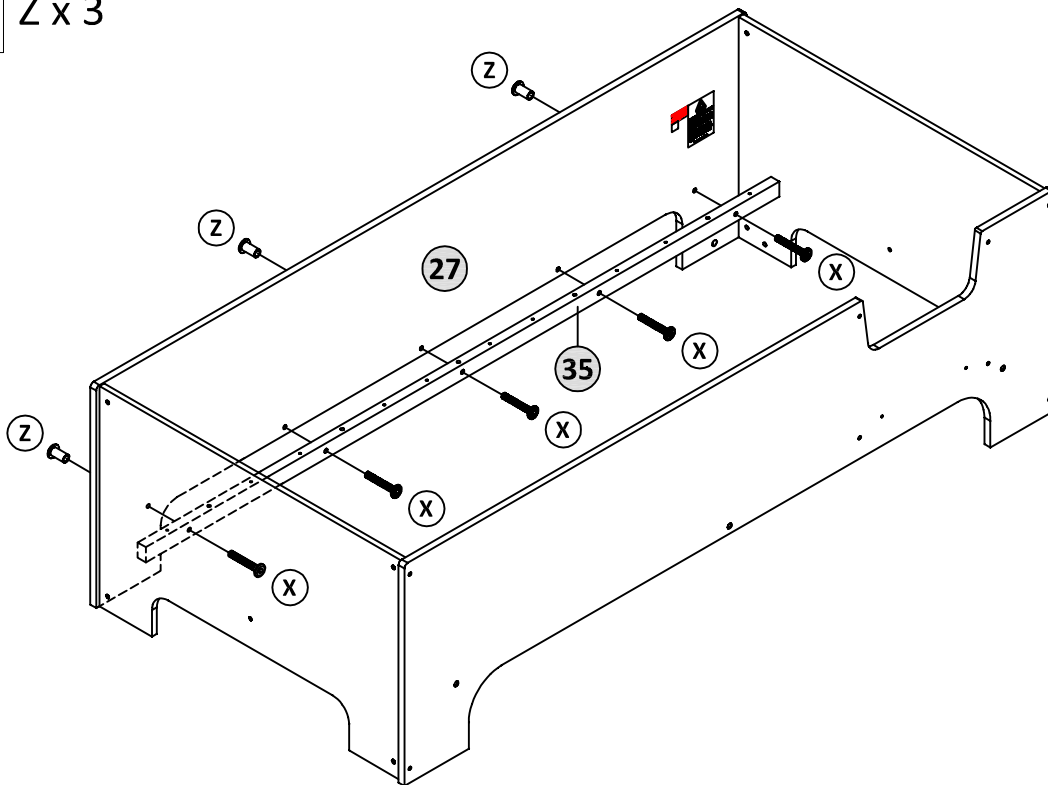


38



X x 5

Z x 3



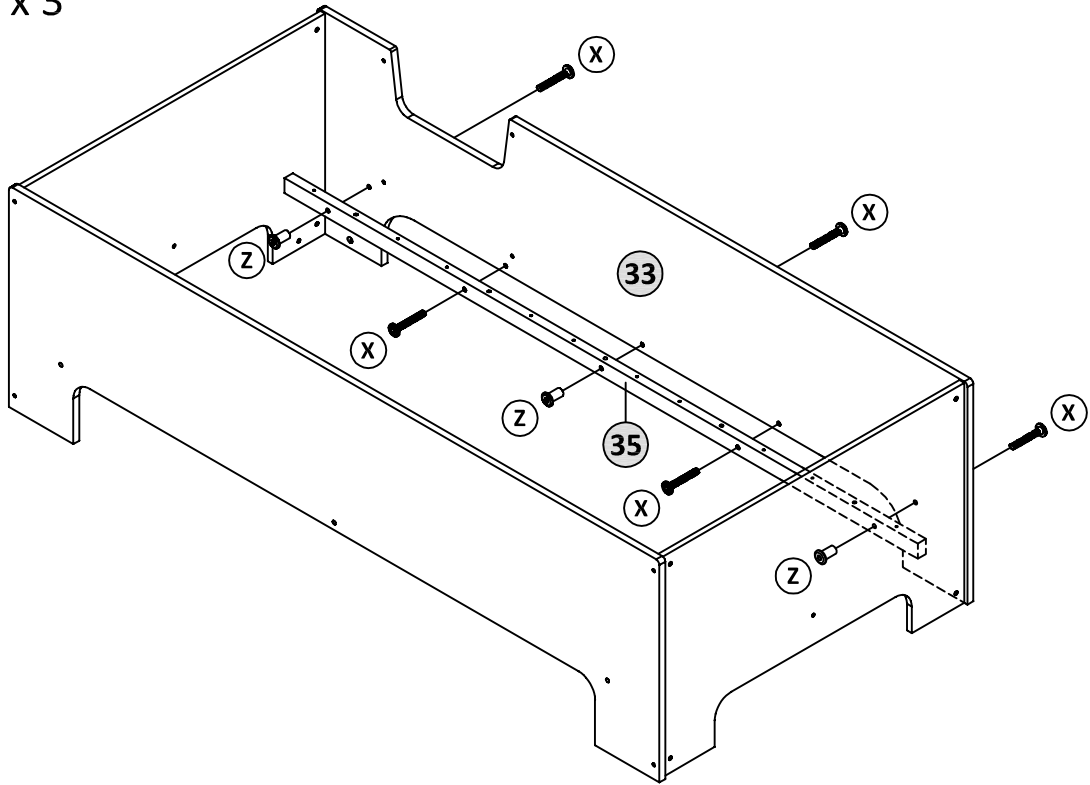
39



X x 5



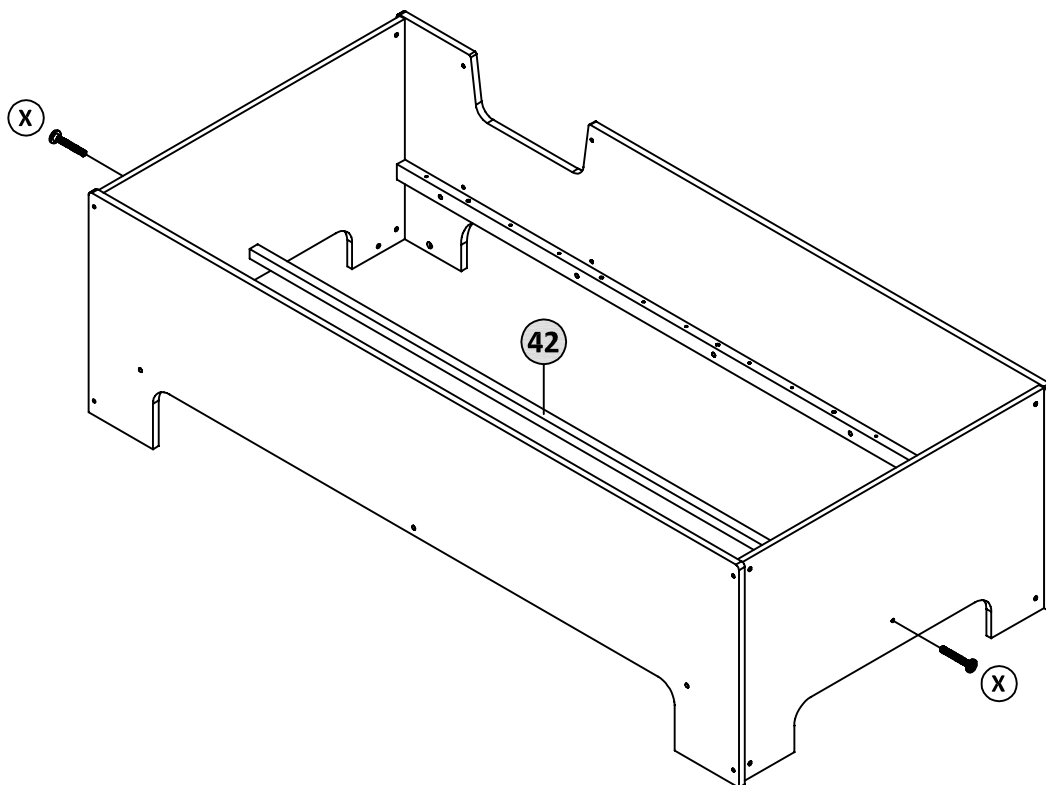
Z x 3





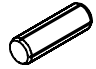
40





X x 2




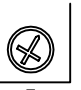
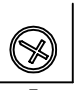
41

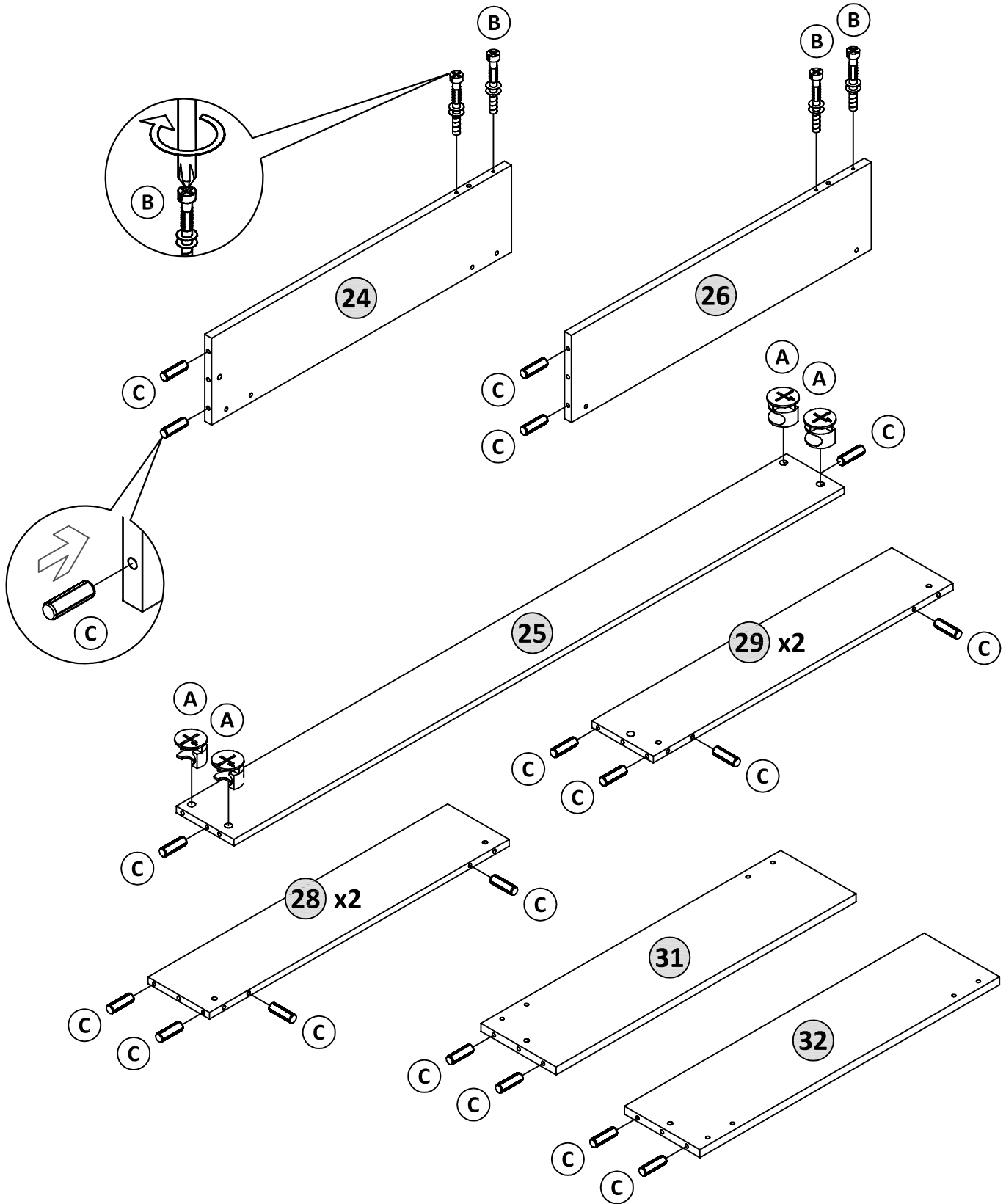
-  A x 4
-  B x 4
-  C x 26

WHEN FITTING CAM STUD
ENSURE THE CAM STUD IS FULLY TIGHTEN IN

✓			✗
CORRECT		WRONG	

WHEN FITTING CAMS
ENSURE STARTING POSITION IS CORRECT
BEFORE YOU INSERT CONNECTING BOLT
TURN CLOCKWISE UNTIL SECURE

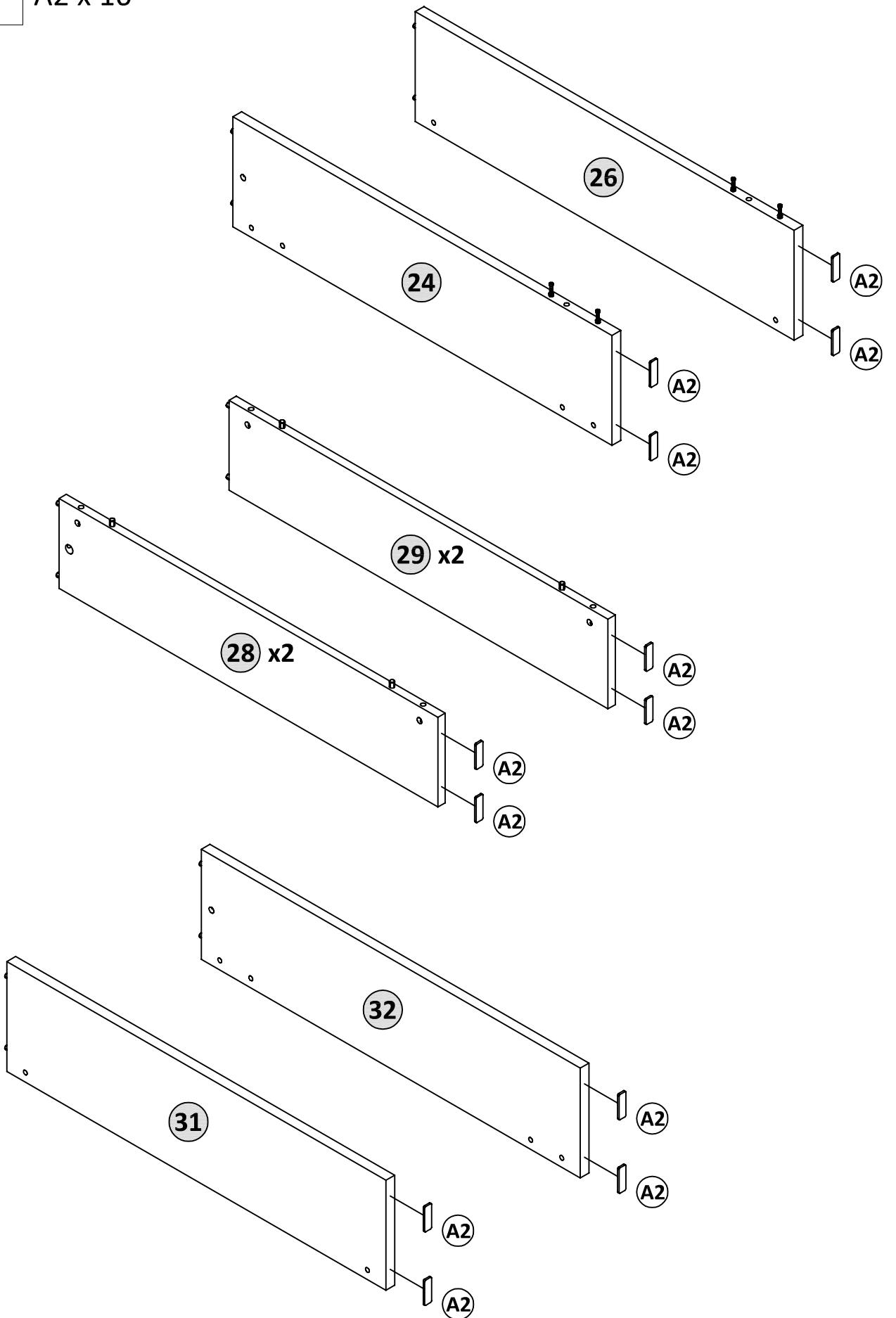
✓				✗
CORRECT		WRONG		



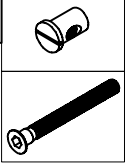
42



A2 x 16

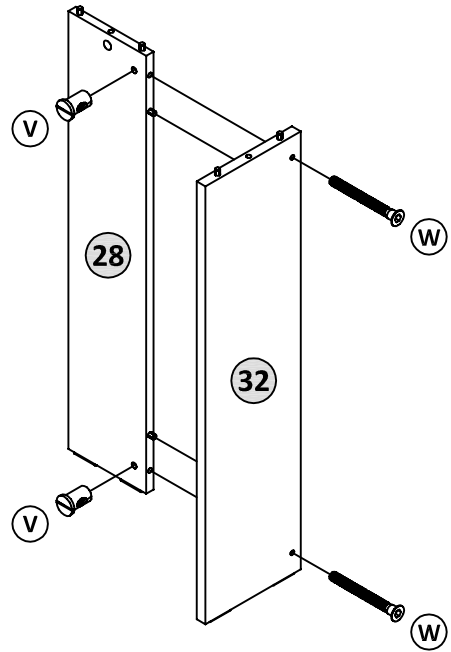
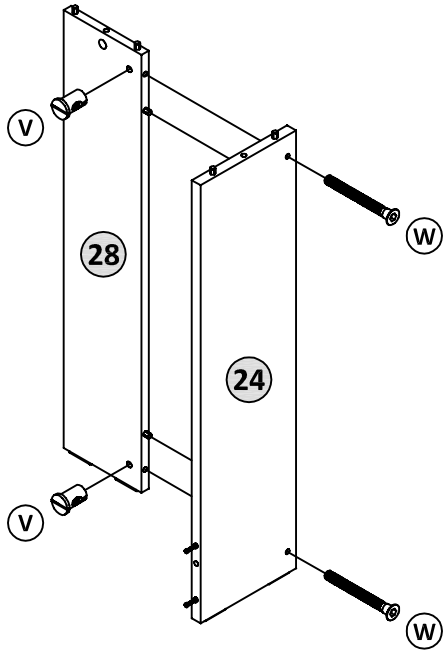


43

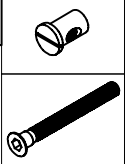


V x 4

W x 4

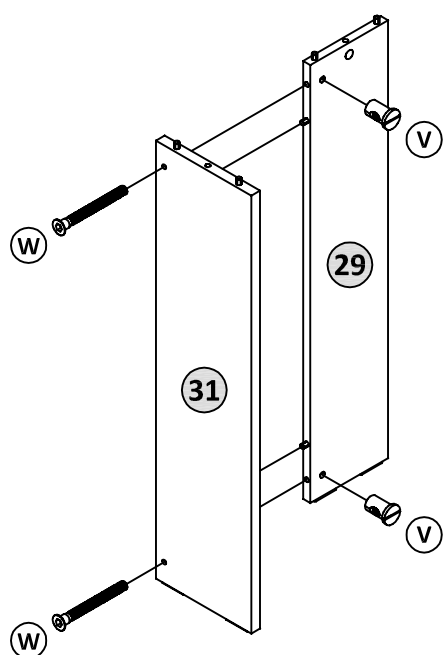
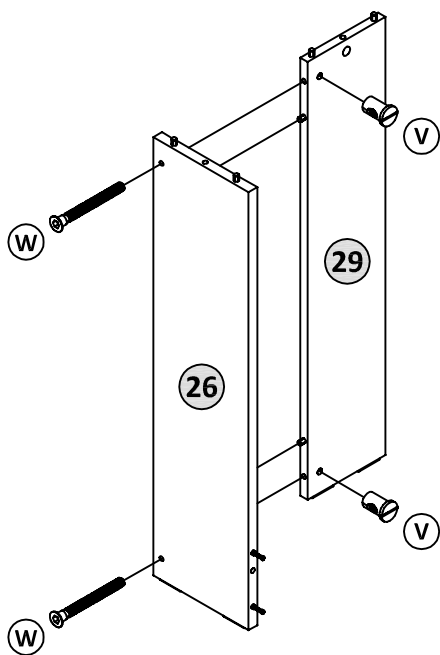


44





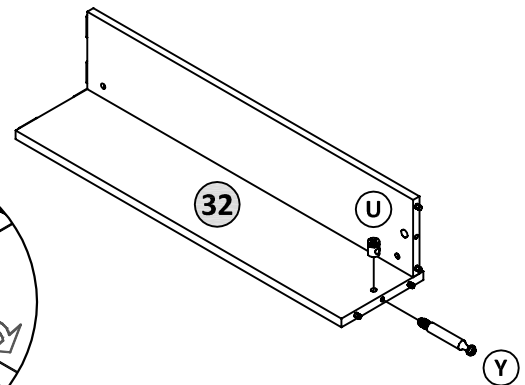
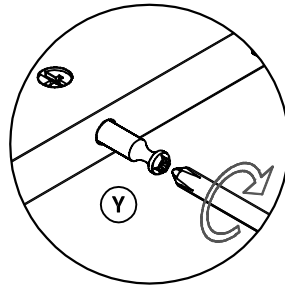
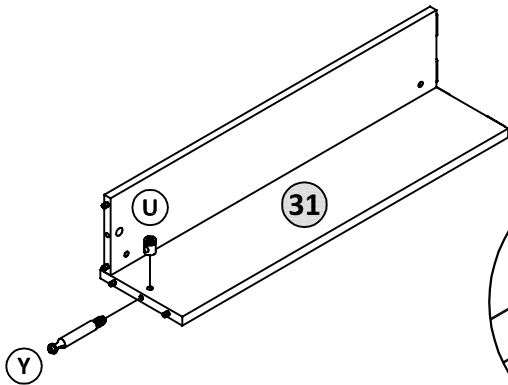
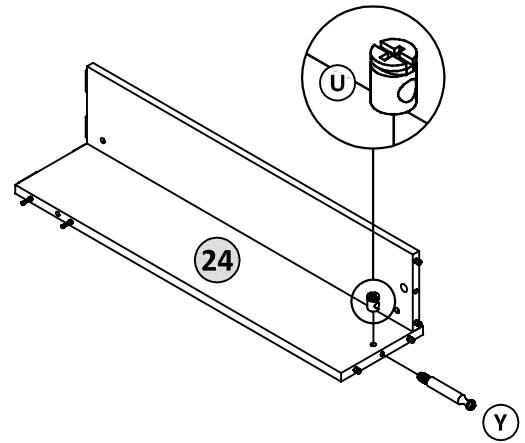
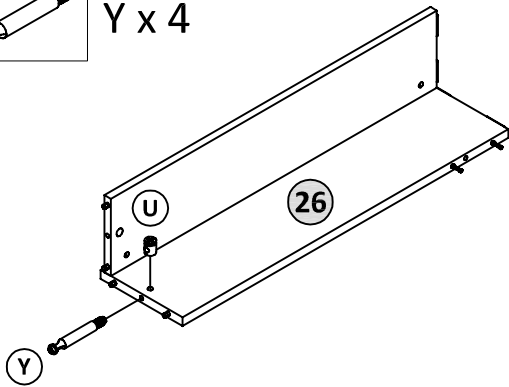
V x 4

W x 4

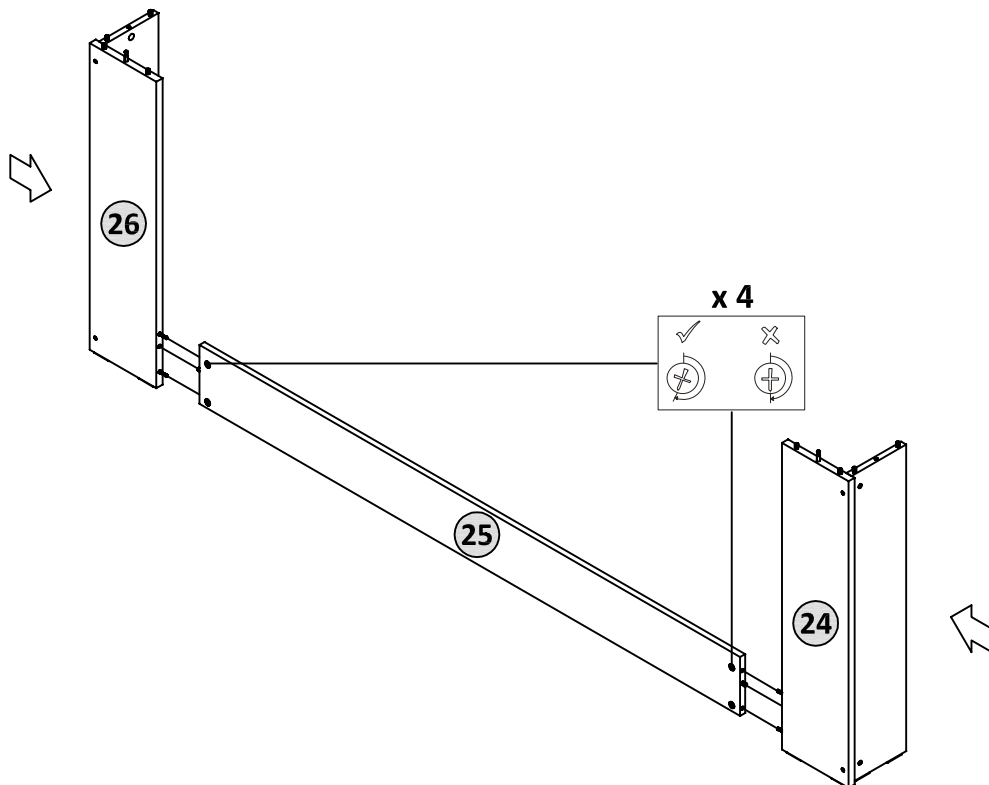


45

-  U x 4
-  Y x 4



46



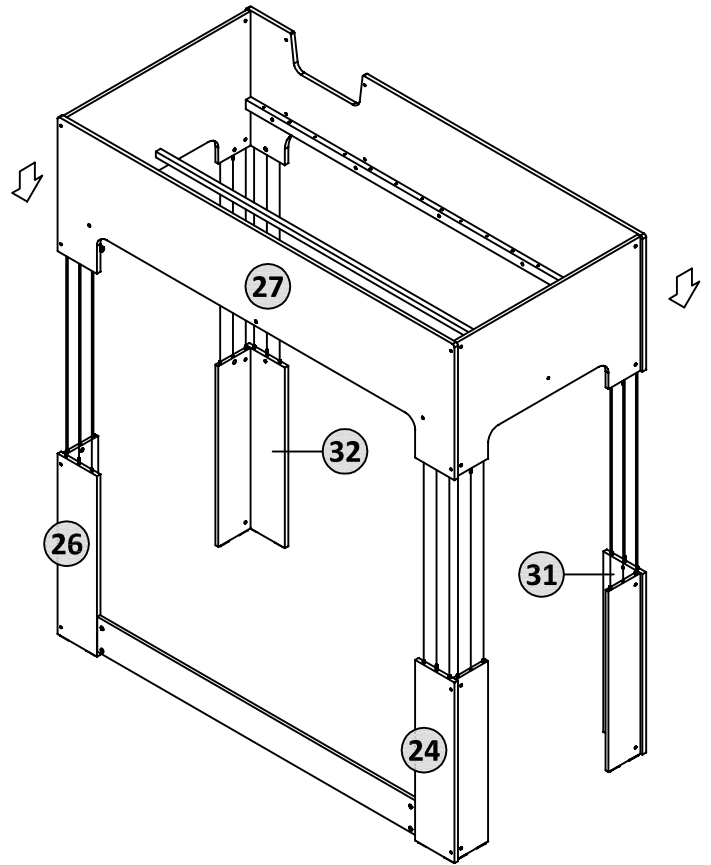
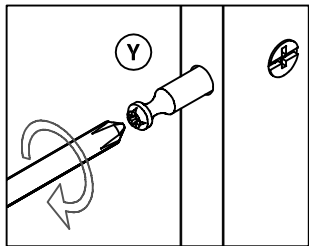
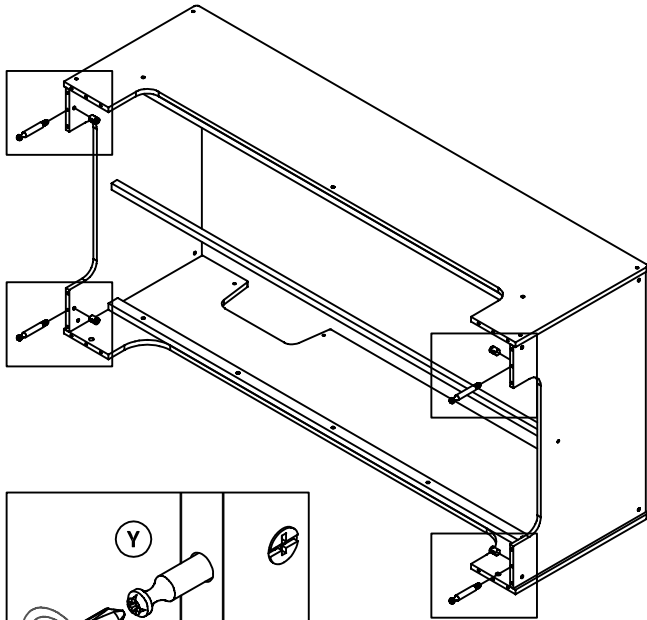
47 U x 4



U x 4



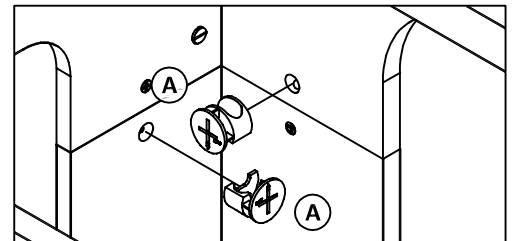
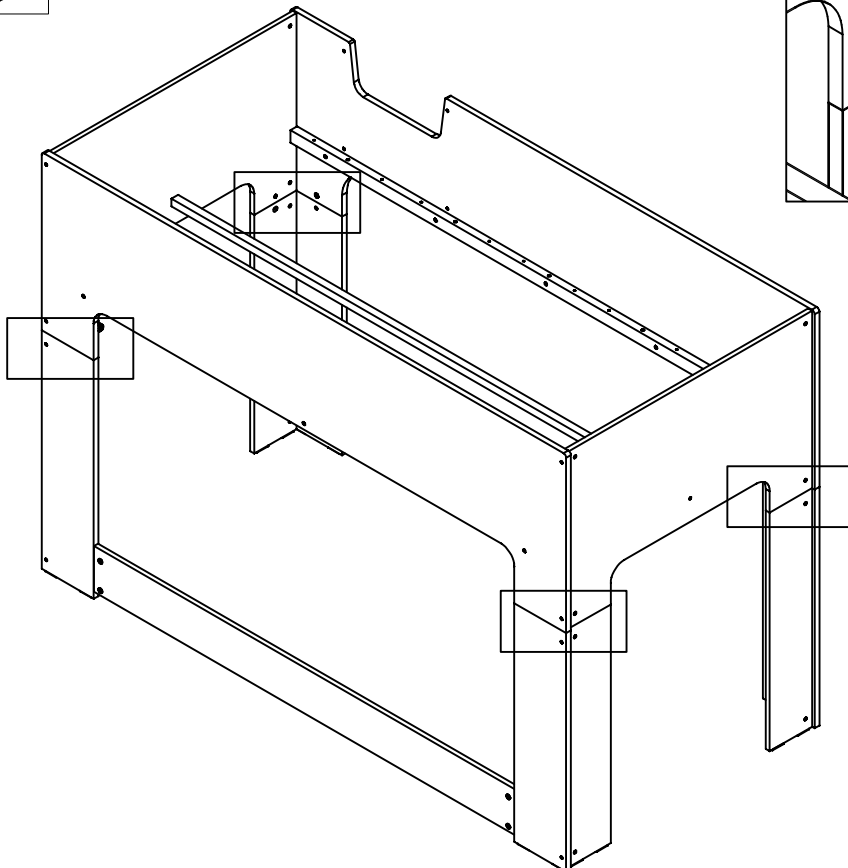
Y x 4



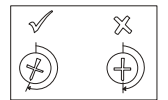
48 A x 8





A x 8

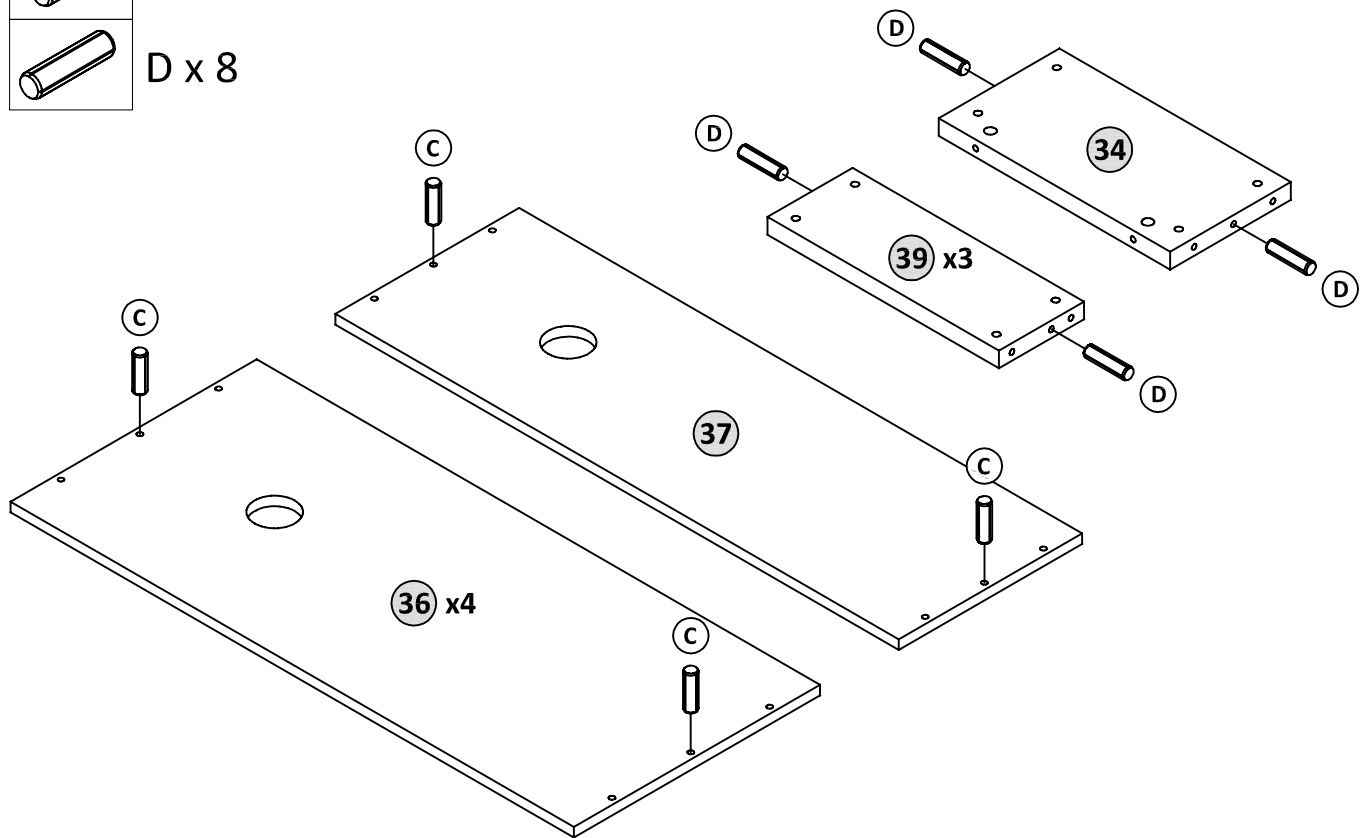


x 8





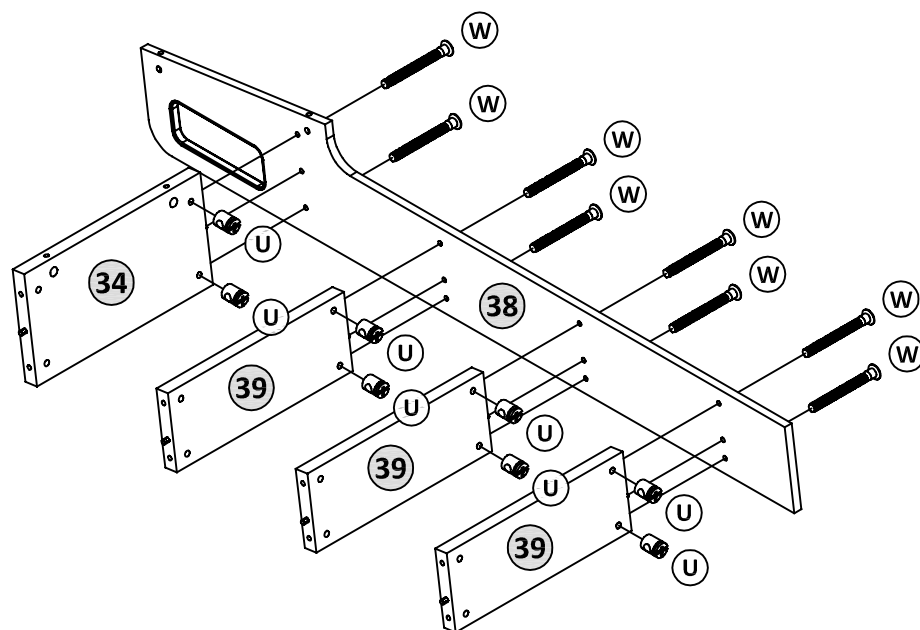
49

-  C x 10
-  D x 8

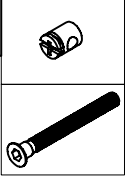


50

-  U x 8
-  W x 8

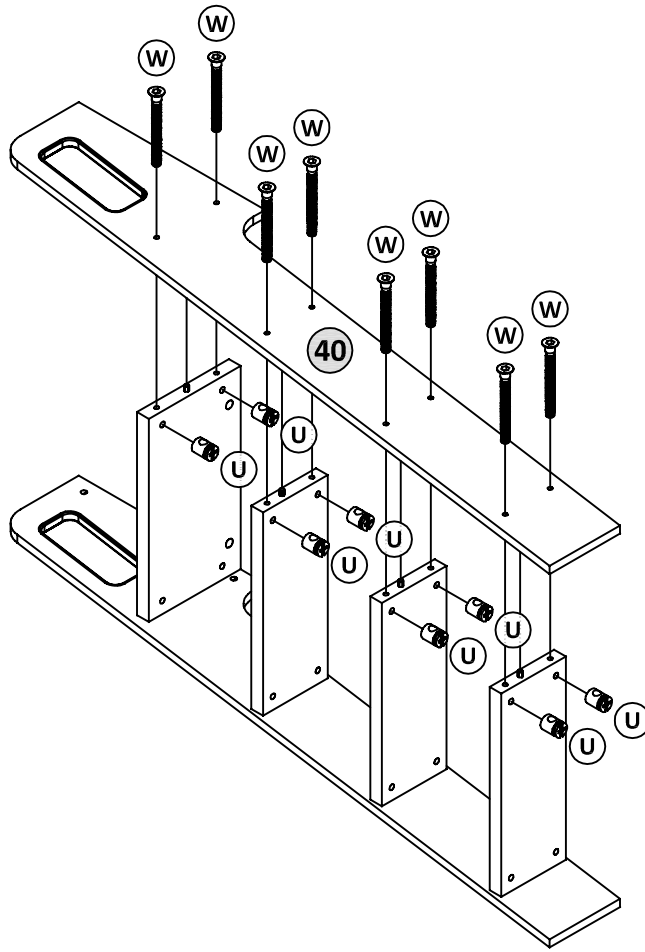


51



U x 8

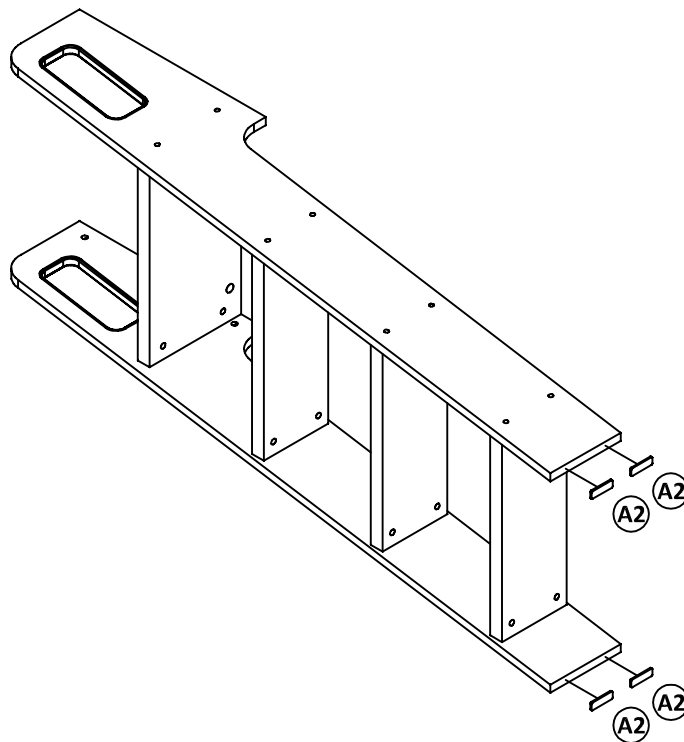
W x 8

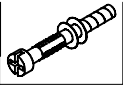


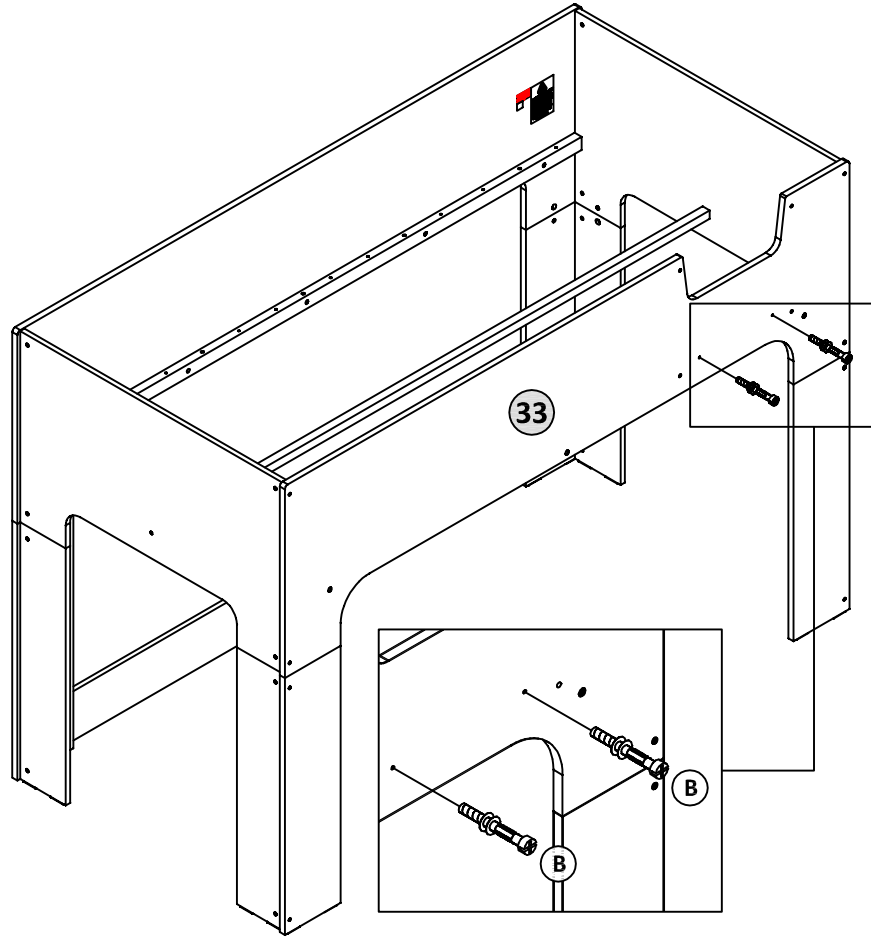
52



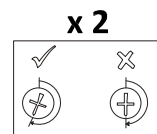
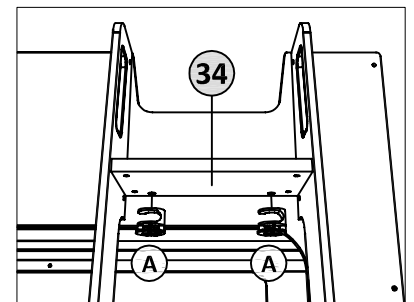
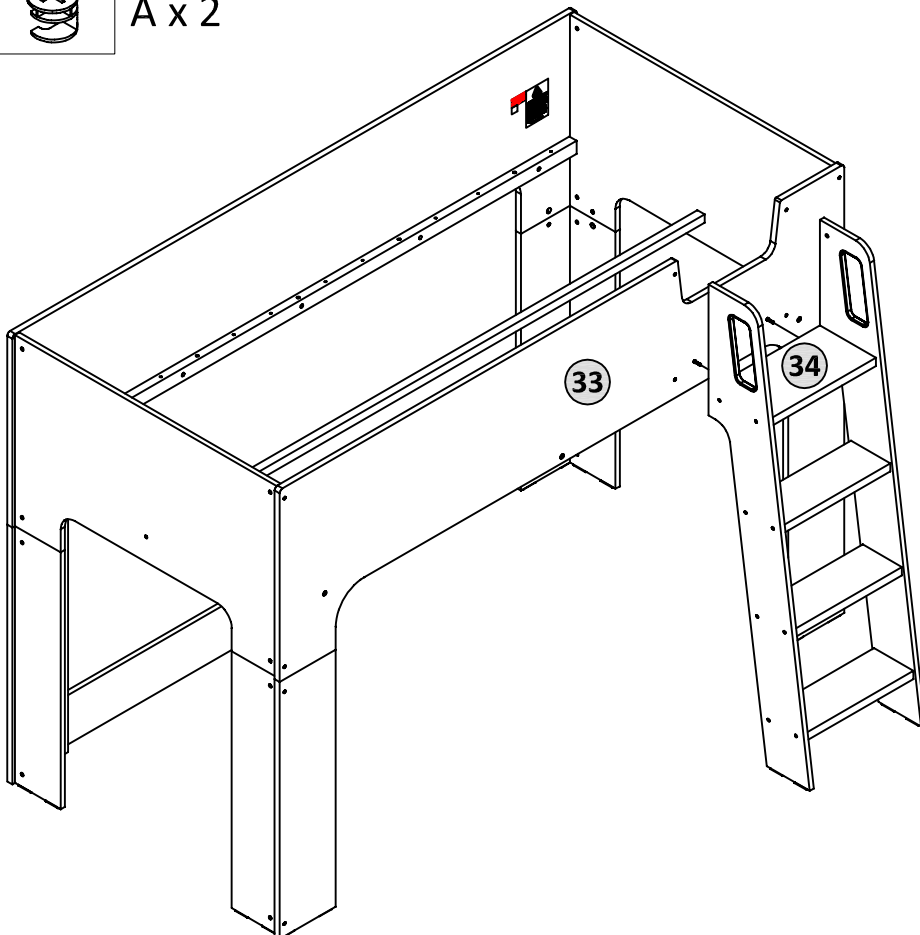
A2 x 4



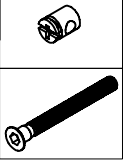
53  B x 2



54  A x 2

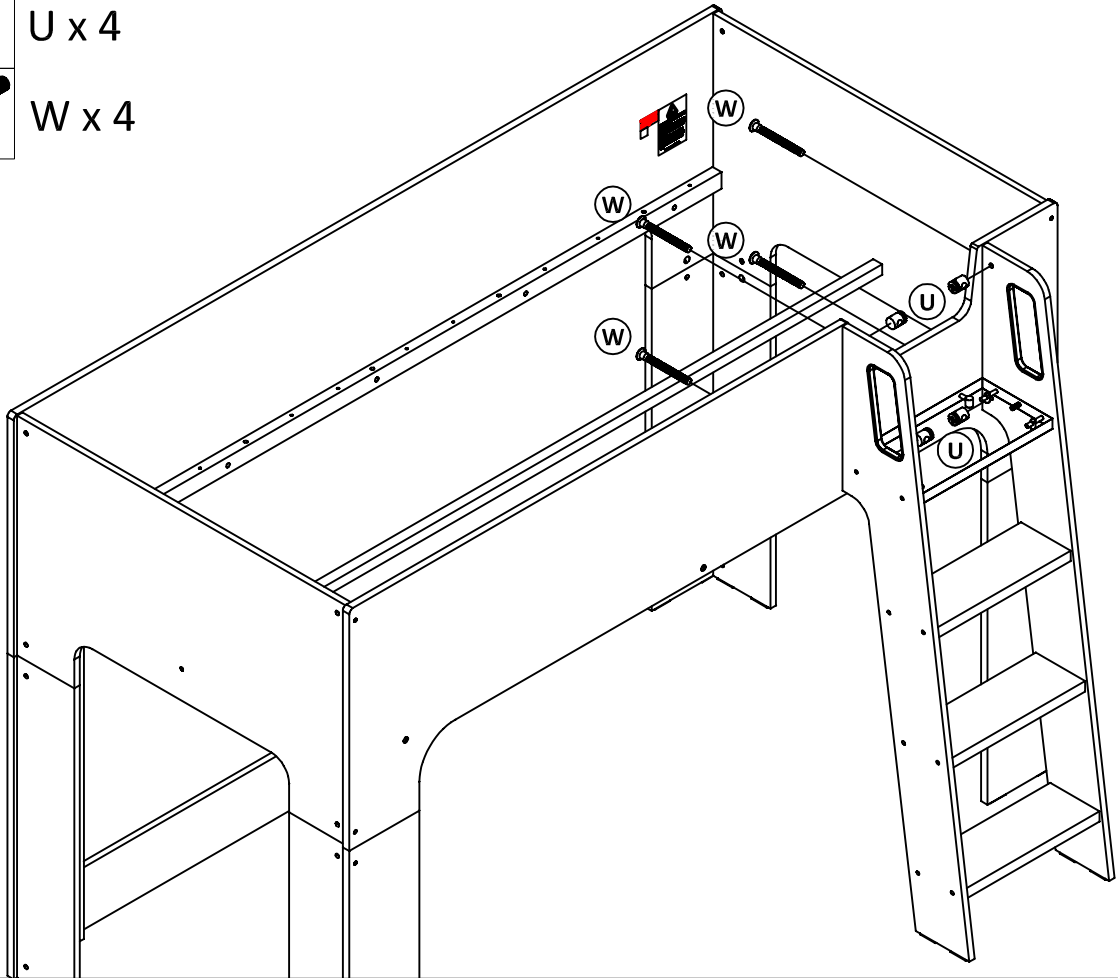


55



U x 4

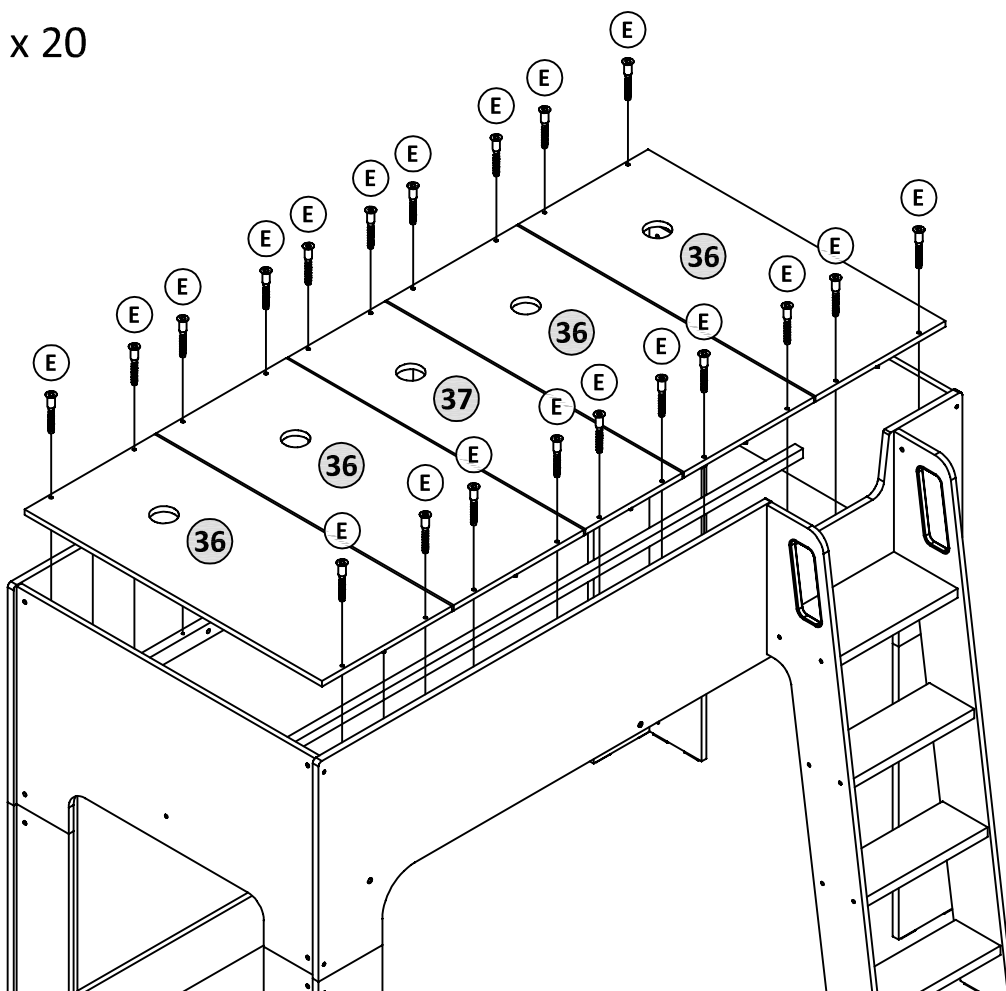
W x 4



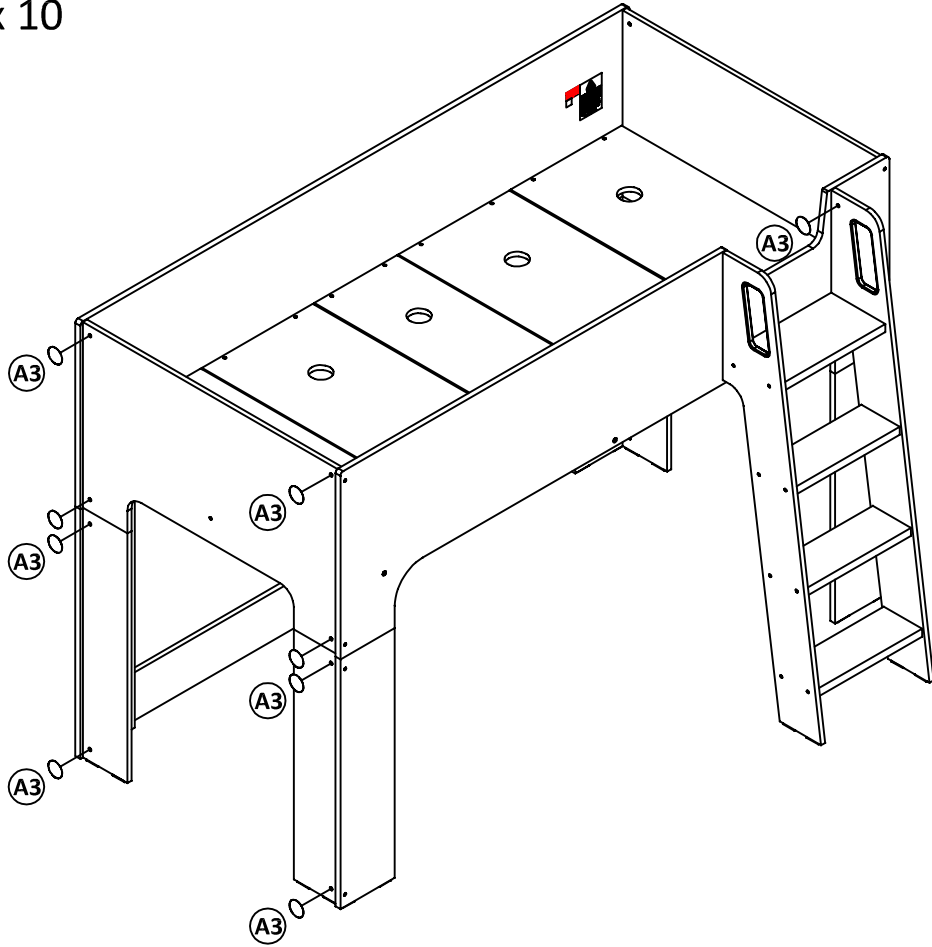
56



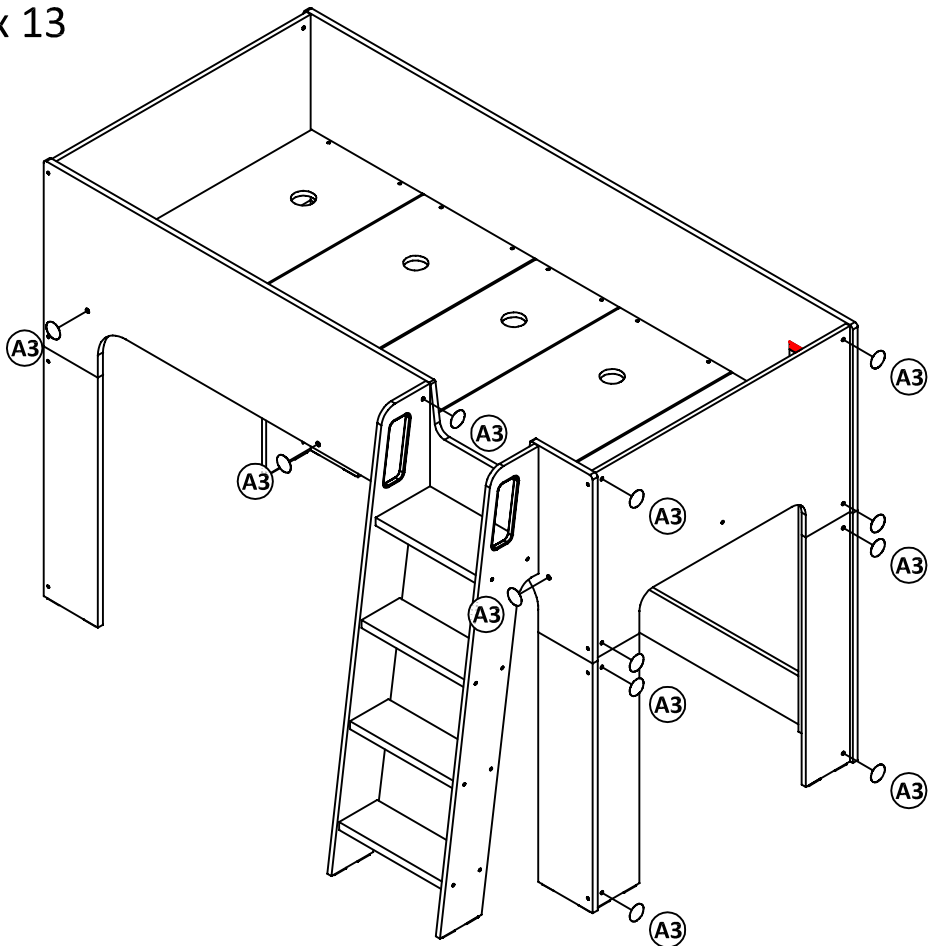
E x 20



57 ○ A3 x 10



58 ○ A3 x 13



59



A3 x 8

