
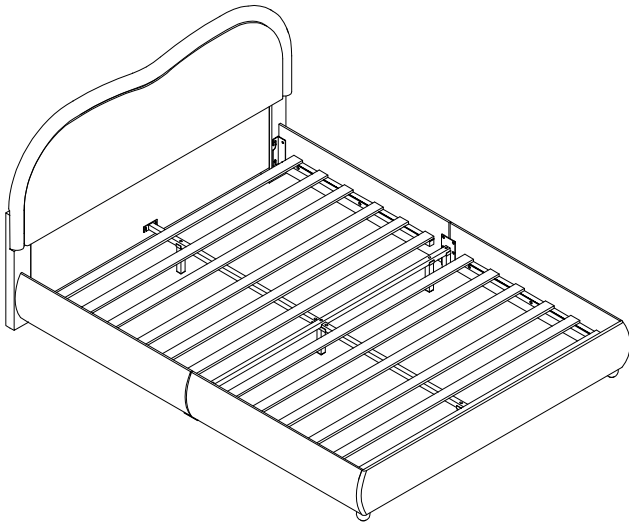

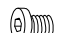







Installation & Assembly

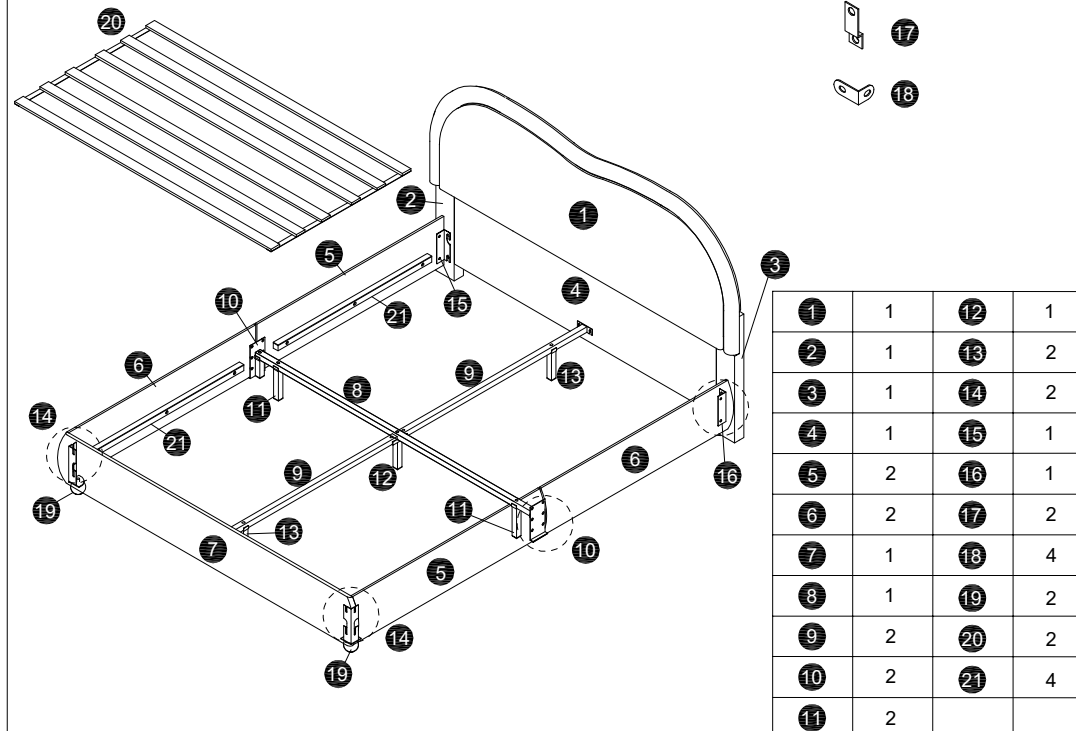
When replacement request , please tell us
Component Alphabet and Model Number.

 Weight Limit:1000 LBS / 454 KG



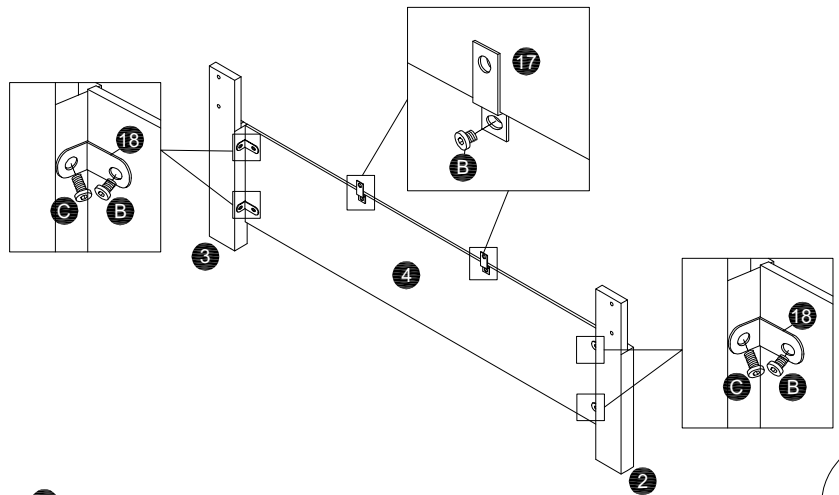
A		M6x18	X12
B		M8x10	X8
C		M8x15	X24
D		M8x35	X20
E		M8x45	X5
F		D4mm	X1
G		D5mm	X1

1 Components

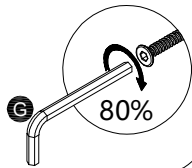


1	1	12	1
2	1	13	2
3	1	14	2
4	1	15	1
5	2	16	1
6	2	17	2
7	1	18	4
8	1	19	2
9	2	20	2
10	2	21	4
11	2		

2

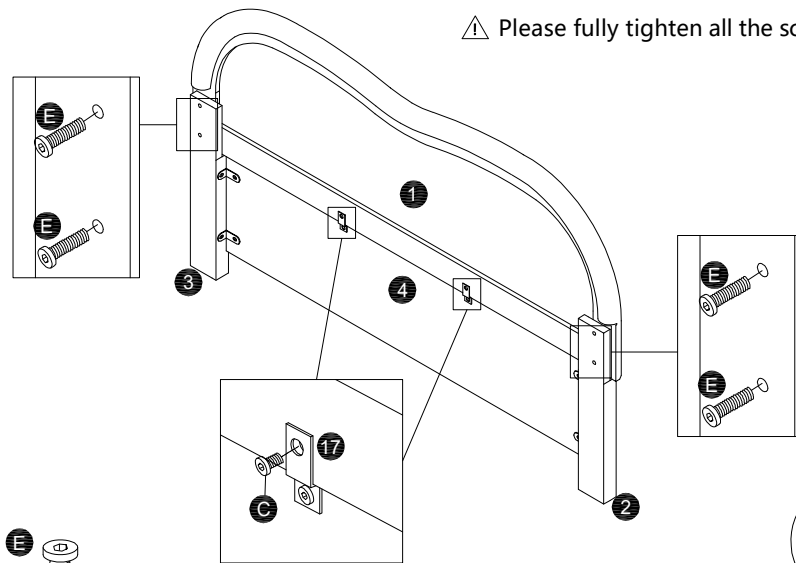


B X6
C X4

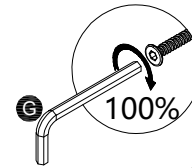


3

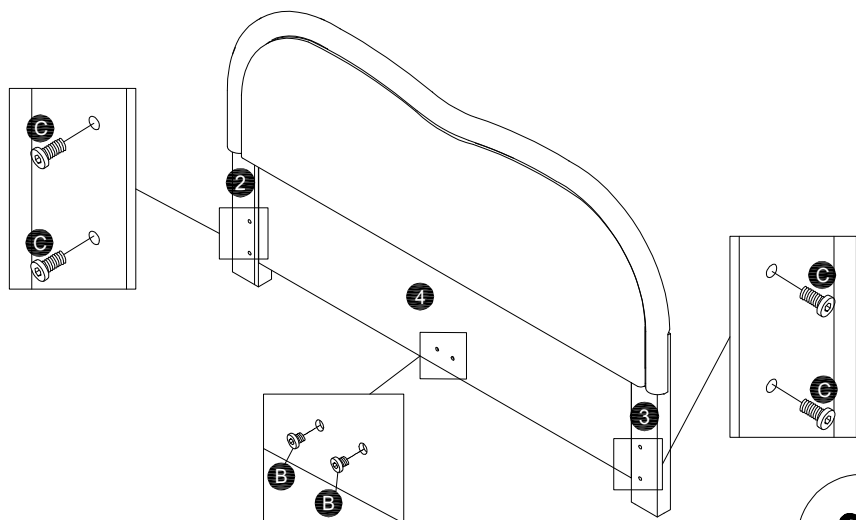
⚠ Please fully tighten all the screws.



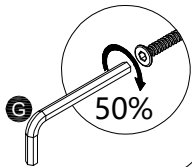
C X2
E X4



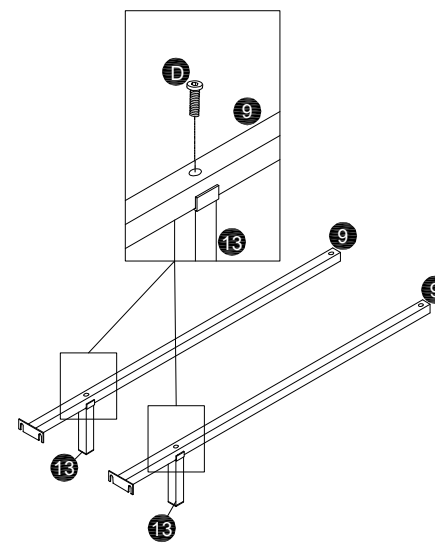
4



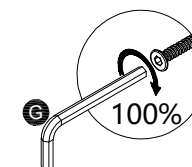
B X2
C X4



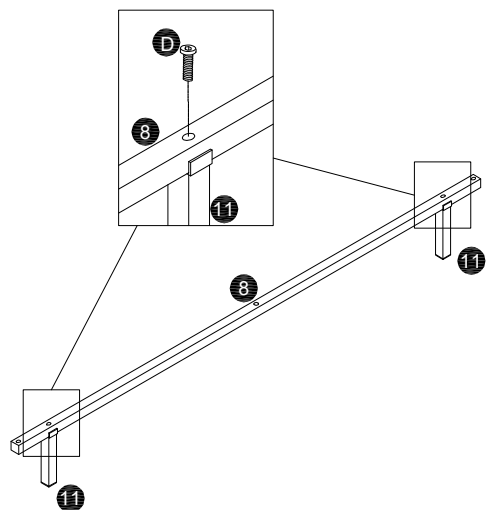
5



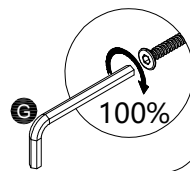
D X2



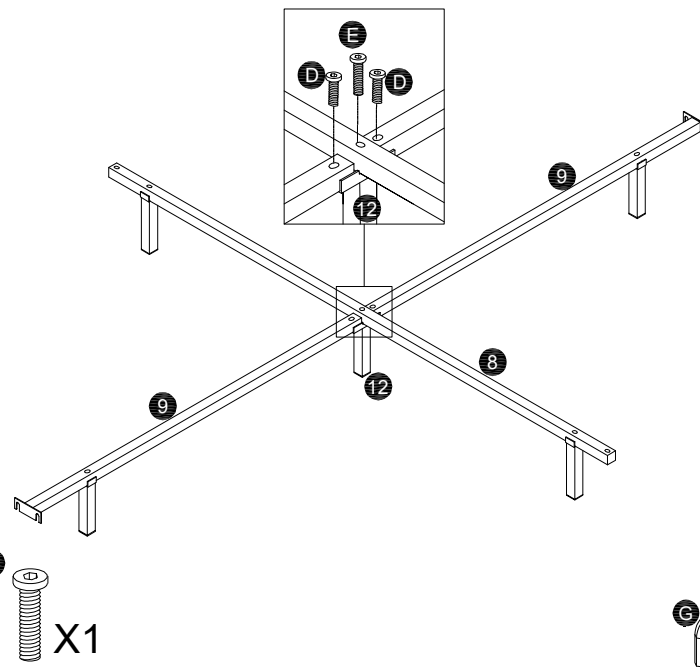
6



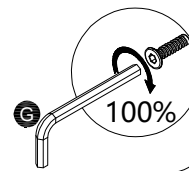
D X2



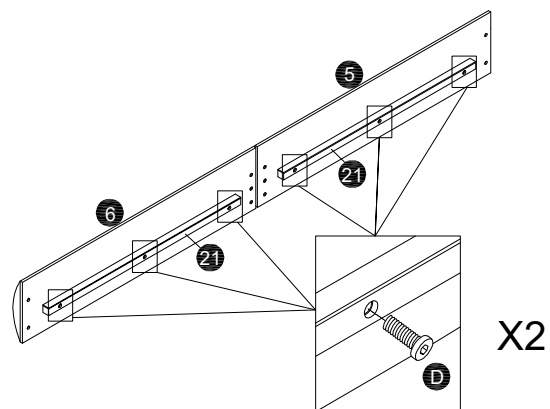
7



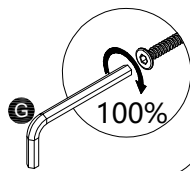
D X2 E X1



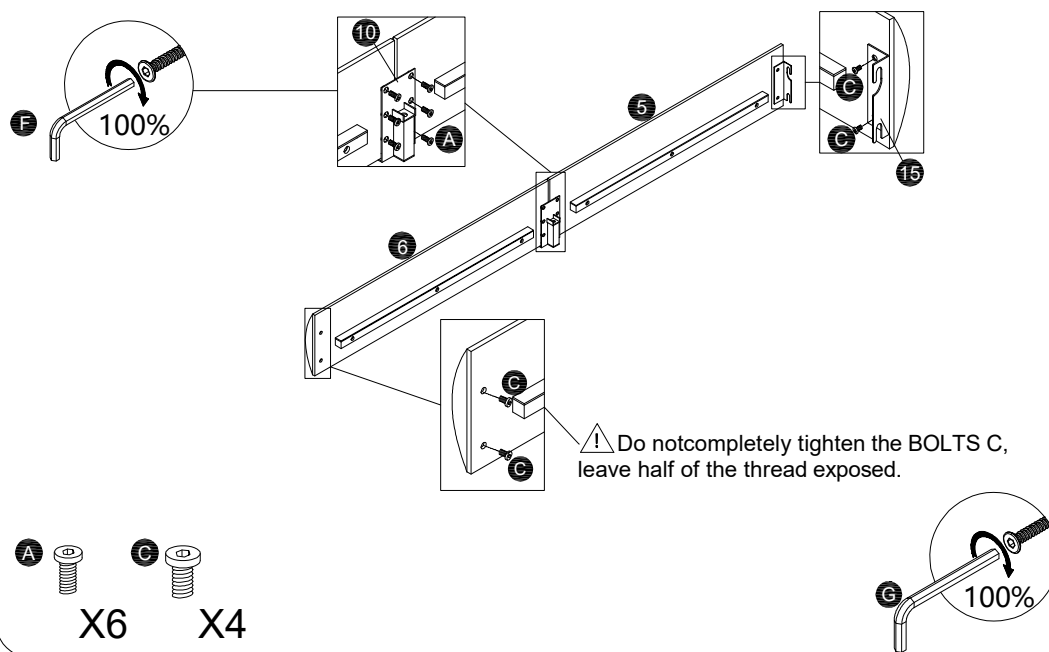
8



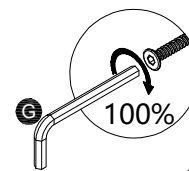
D X12



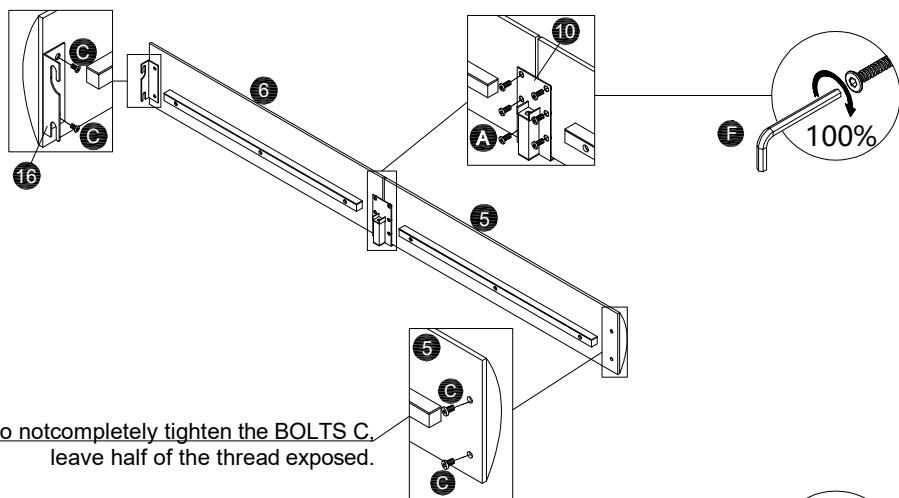
9



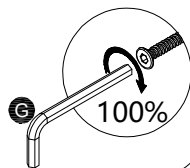
A X6 C X4



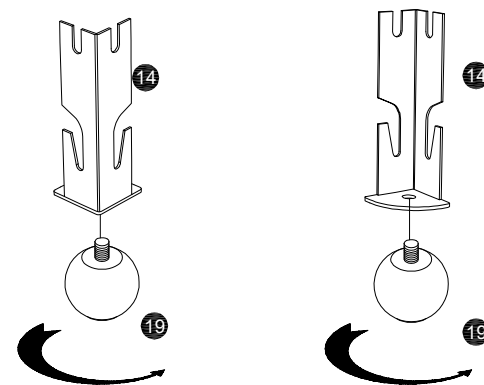
10



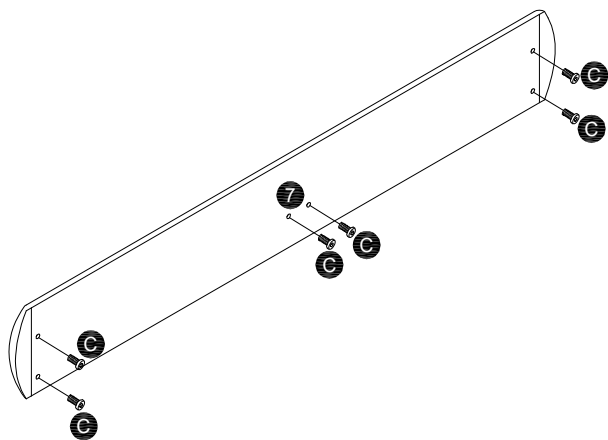
A X6
C X4



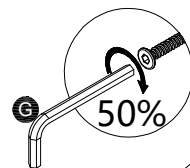
11



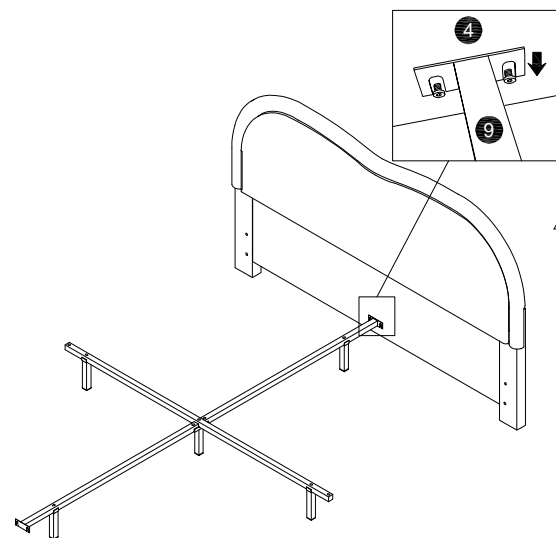
12



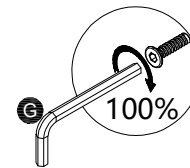
G X6



13

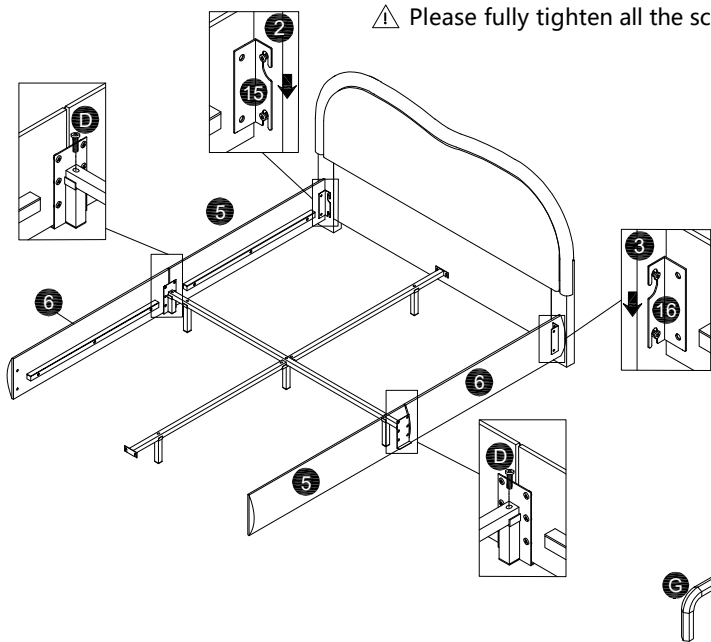


⚠ Please tighten the screws.



14

⚠ Please fully tighten all the screws.



D

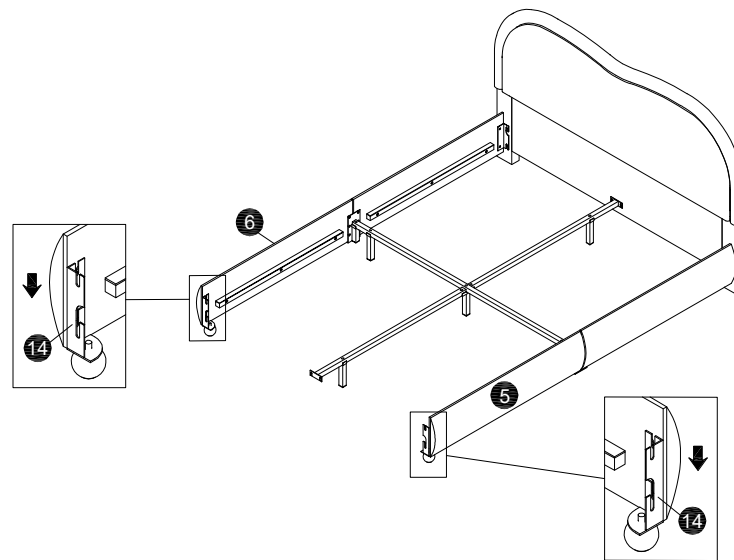


X2

G

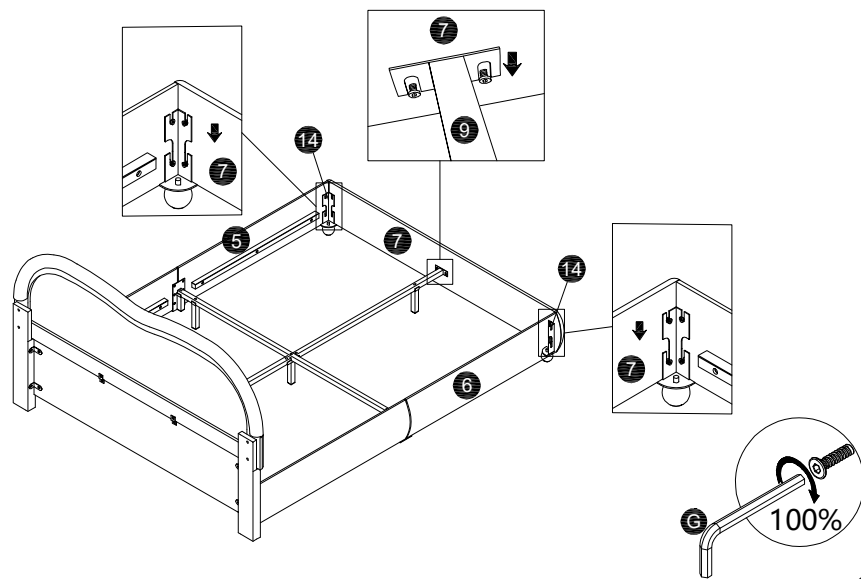
100%

15



16

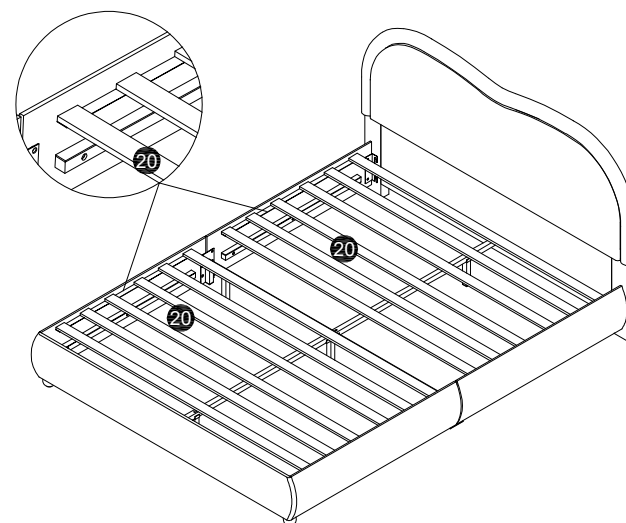
⚠ Please fully tighten all the screws.



G

100%

17



18

