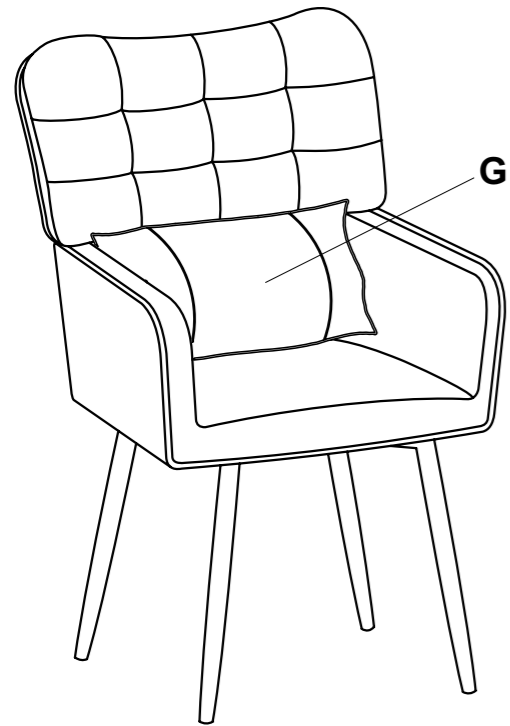
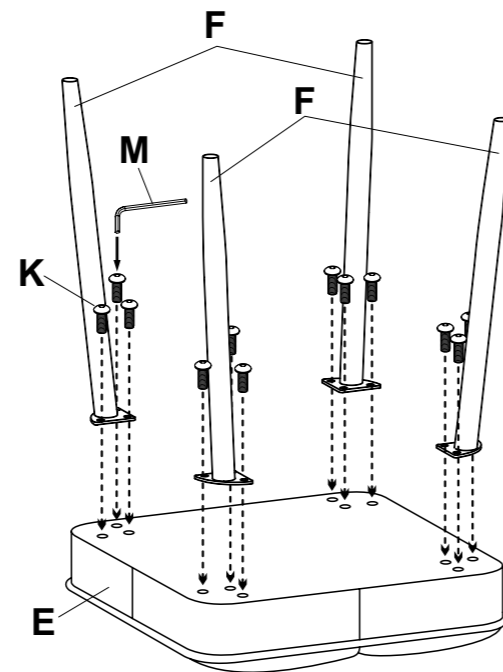


ASSEMBLY INSTRUCTION

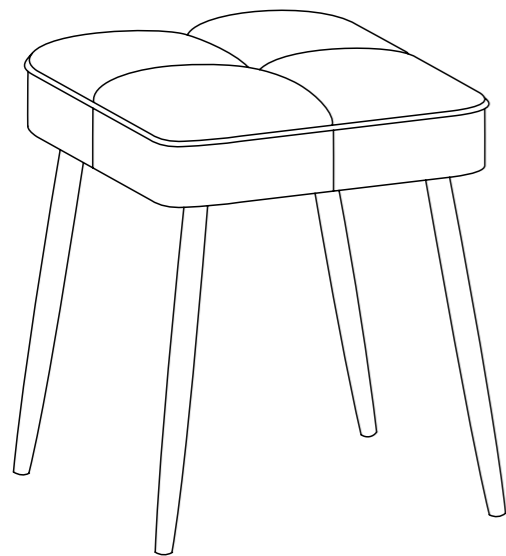
Step 5



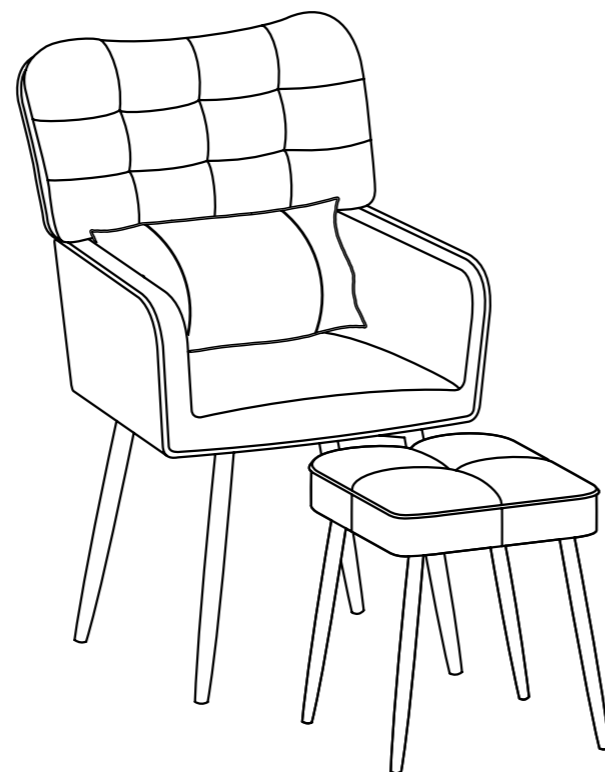
Step 6



Step 7



Step 8



ABBLE® Upholstered Wingback Chair with Ottoman SKU# 300928

- Thank you for purchasing ABBLE® product.
- You are welcomed to visit www.ablestore.com for more ABBLE® products.
- We are committed to providing customers with quality products and a good purchasing experience.
- Need any help regarding purchase or customer service, please email us by cs@ableinc.com (will be responded within 24 working hours)



www.ablestore.com

Attention for assembly

1. Read the instruction carefully and completely before assembling the product.
2. Follow the instructions step by step. Any wrong operation might damage the product, which will not be considered as quality defect of product itself. Any return caused by this reason will not be accepted.
3. Place product on soft floor (carpet, cardboard, wood) for assembly to prevent scratching or damage, never on concrete, sand or slate floor.
4. Verify all components and hardware are included according to the part list before start assembling. In case of missing of any part, stop assembling and contact us right away.
5. Electrical tools (not included) help assembly yet do not over drive the screws, bolts, nuts, etc.
6. Do not fasten screws, bolts, nuts tightly until the whole product is assembled completely in place. In case you have difficulty to put the parts together, try to loosen the fastened screws, bolts, nuts, which might solve the problem.
7. Follow the manpower request for assembly. Shortage of manpower might cause unsuccessful assembly or personal injury.
8. Do not use the product until all the components, screws, bolts, nuts are fastened tightly.
9. Contact us when you have any problem regarding assembly or any product issues, we will respond as soon as possible to help you out of problem. Don't return the goods on your purchase platform right away.

Maintenance

1. Vacuum cushion regularly.
2. Blot spills immediately with a clean, colorfast towel or sponge.
3. Indoor use only.
4. Check all components and bolts to be secured regularly.
5. Please note: the weight limit of the chair is 113 kgs/250 lbs max.

Limited Warranty: 90 days (3 months)

People Required: 1 Adult



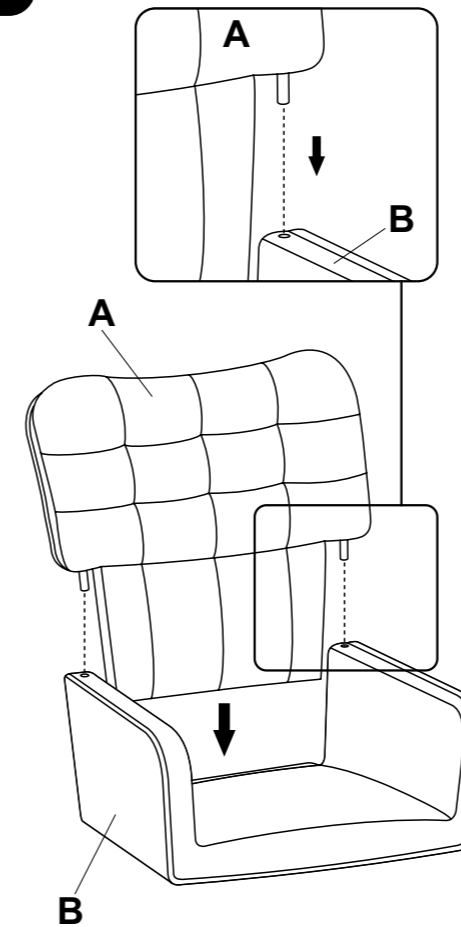
Assembly Time: 20 minutes

Part List

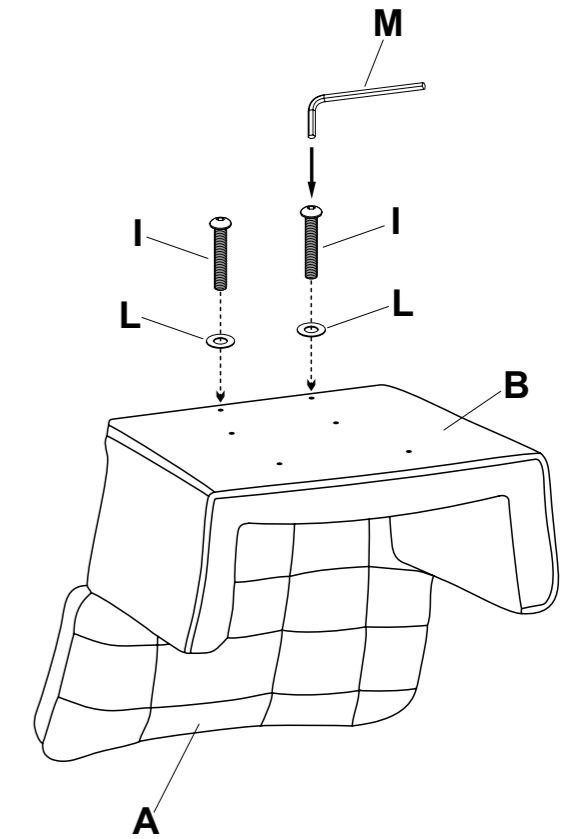
No.	Description	Diagram	Qty pcs
A	Backrest		1
B	Seat with Arm		1
C	Metal Leg for Chair (Part A)		1
D	Metal Leg for Chair (Part B)		1
E	Ottoman Seat		1
F	Metal legs for Ottoman		4
G	Toss Pillow		1
H	Bolt	M6 × 45	4
I	Bolt	M6 × 50	2
J	Bolt	M6 × 30	1
K	Bolt	M6 × 16	12
L	Washer	M6	2
M	Hexagonal wrench		1

ASSEMBLY INSTRUCTION

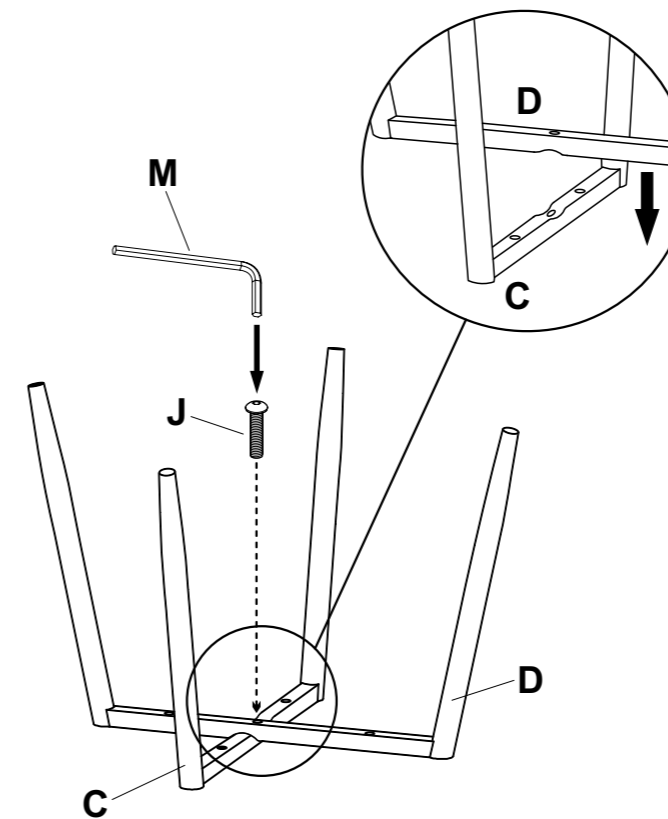
Step 1



Step 2



Step 3



Step 4

