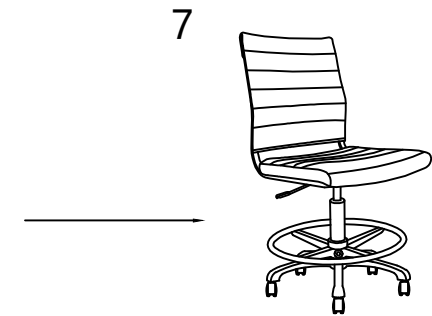
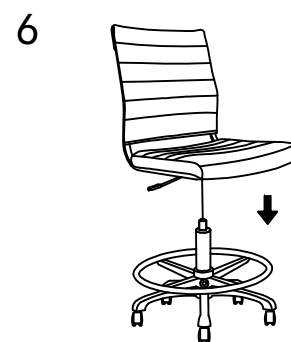
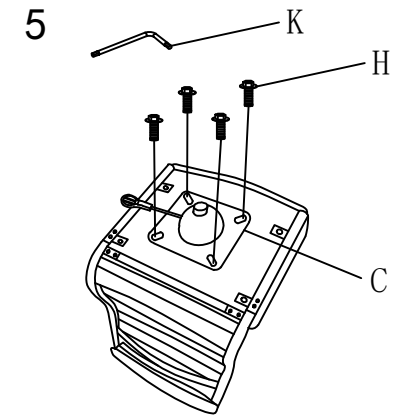
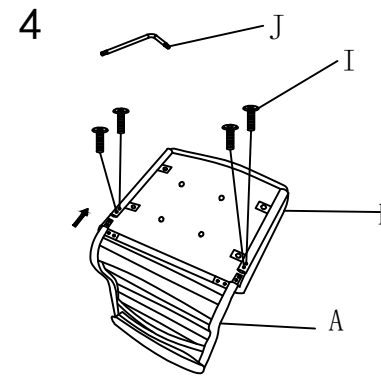
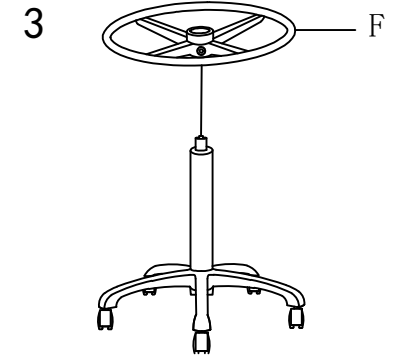
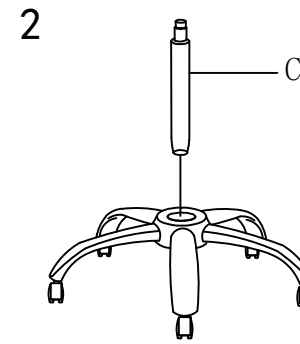
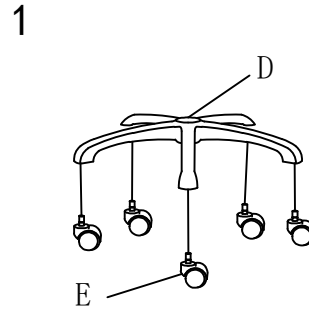


# Assembly Instructions

## AXEL Low Back Office Chair

PLEASE NOTE: Check that you have received all components and hardware before assembling. If you are missing any parts, contact your retailer.



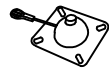
During assembly, hand tighten screws only. When the screws are in place, tighten completely.



A 1(pc)



B 1(pc)



C 1(pc)



D 1(pc)



E 1(pc)



F 5(pcs)



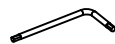
G 1(pc)



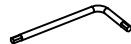
H 4(pcs)  
M6-1.25x20mm



I 4(pcs)  
M6-1.25x20mm

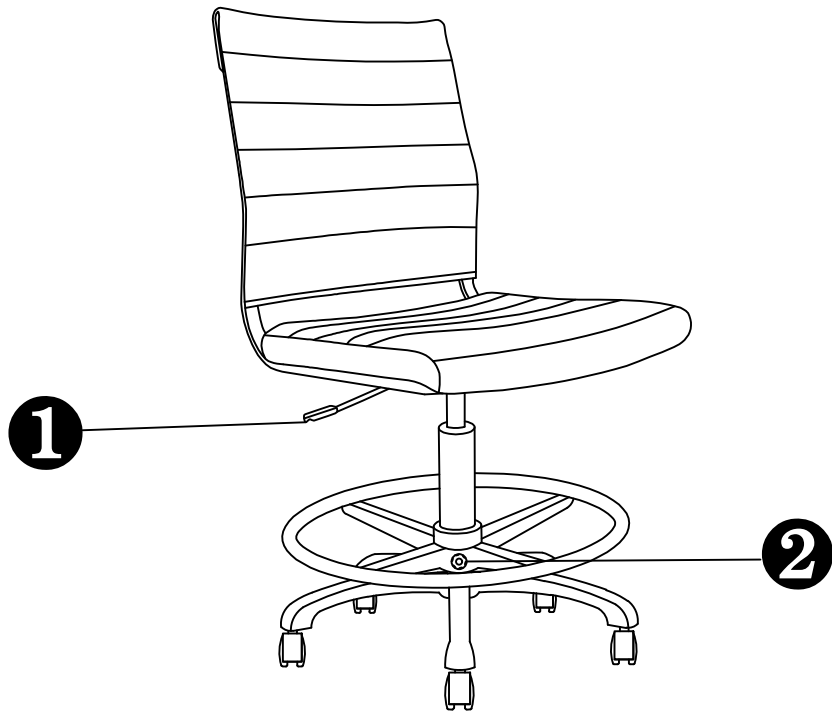


J 1(pc)  
4mm

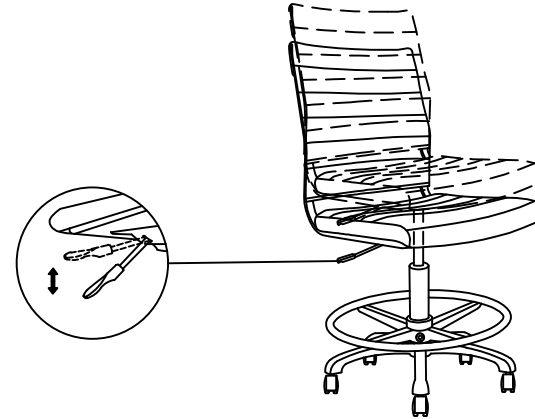


K 1(pc)  
5mm

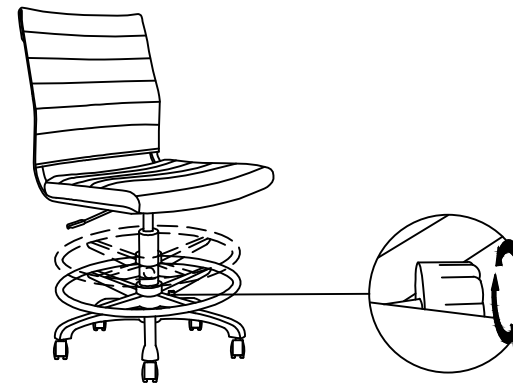
## Function Description



- ① Chair height adjustable



- ② Foot ring adjustable



During assembly, hand tighten screws only. When the screws are in place, tighten completely.