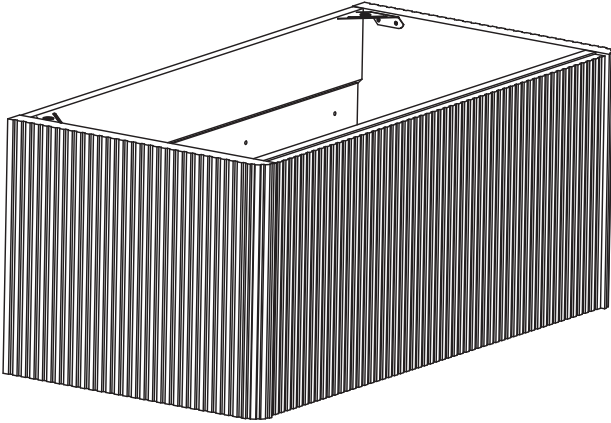


Floating Bathroom Vanity Assembly Guide



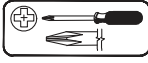
Thank you for selecting our quality product. Prior to assembly, carefully inspect all packing materials for any loose parts. Separate and count all components, comparing them to the parts list provided.

Reminder

Refrain from tightening screws until assembly is complete. This ensures proper alignment and avoids any complications.



Tools Required



(Not Included)



(Not Included)

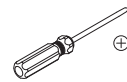
**IMPORTANT:
PLEASE READ INSTRUCTIONS BEFORE STARTING THE ASSEMBLY.**

Thank you for choosing our products. Please review the installation manual carefully before assembly, following the step-by-step instructions for accessories and hardware. Our detailed guidance ensures a smooth assembly process.

Our products are environmentally friendly. To maintain their quality, avoid submerging them in water, placing heavy items on them, or applying excessive force. If you encounter any issues, please contact us for assistance.

We appreciate your purchase. Thank you.

Tools needed



Screwdriver



Tapeline



Pencil



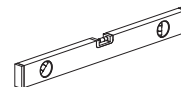
Electric drill



Drill bit

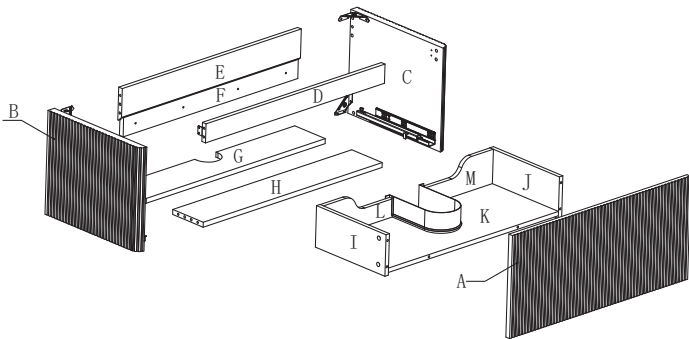
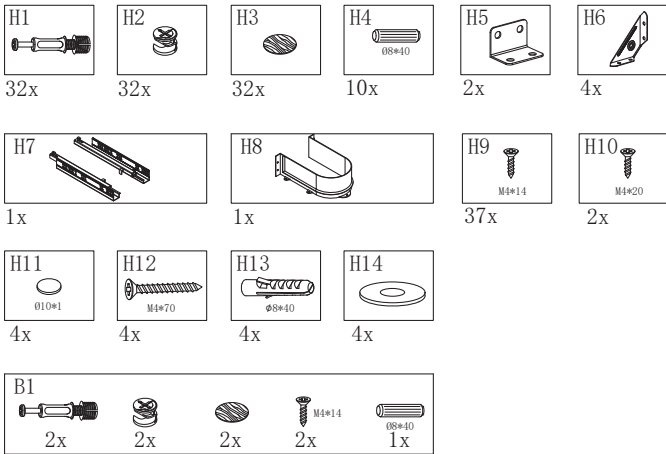


Hammer



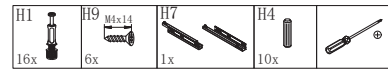
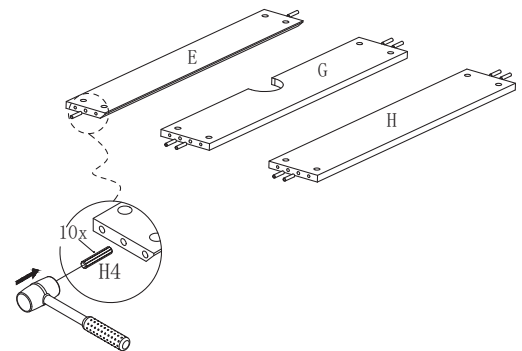
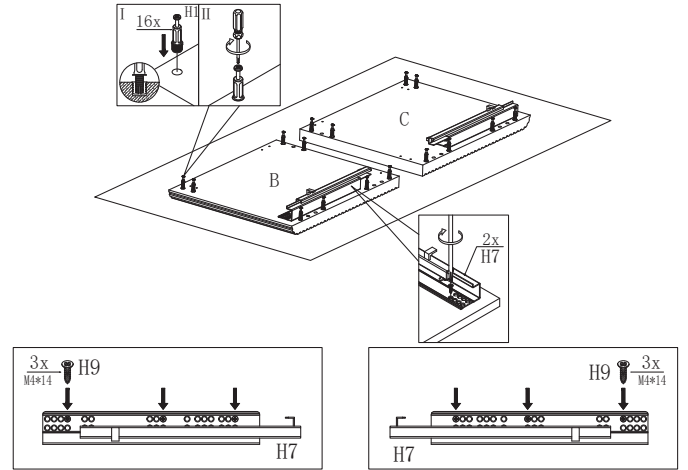
Level

Accessories



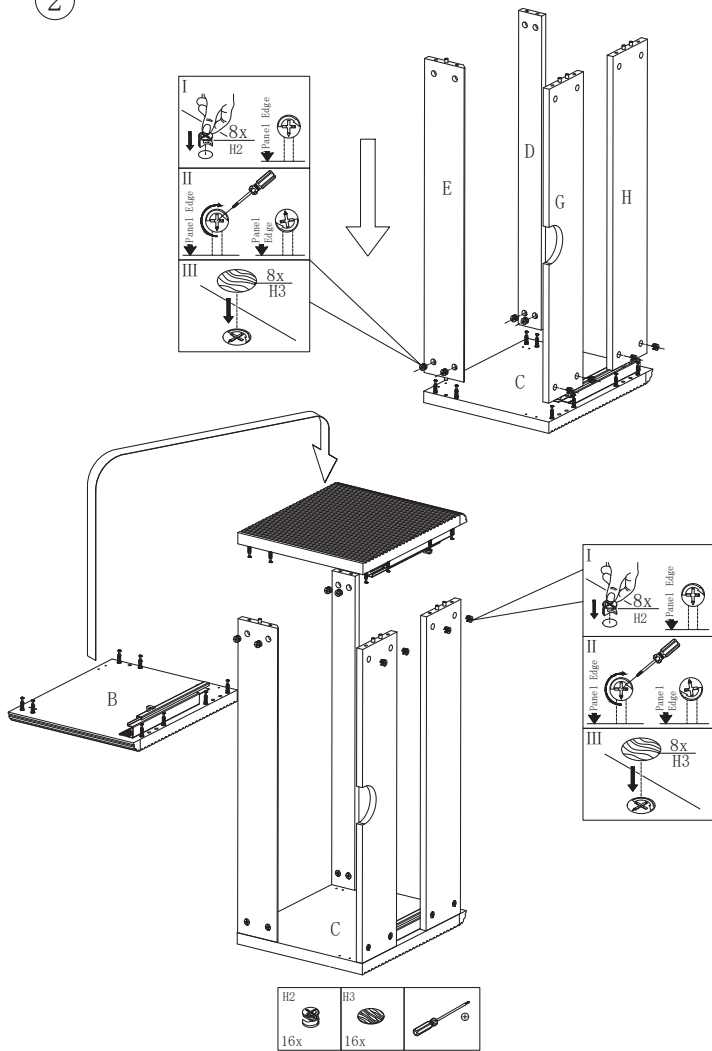
4

①



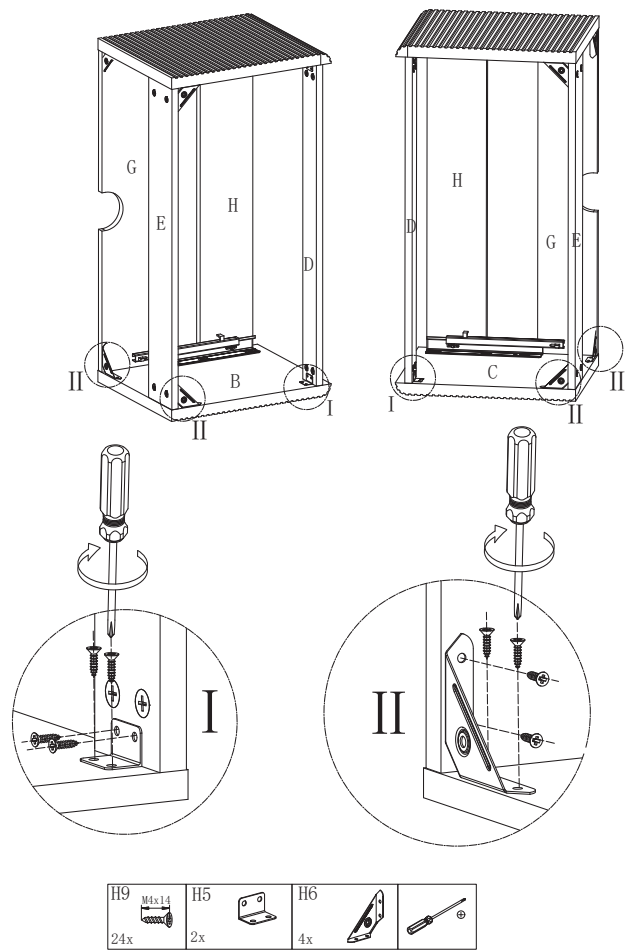
5

2



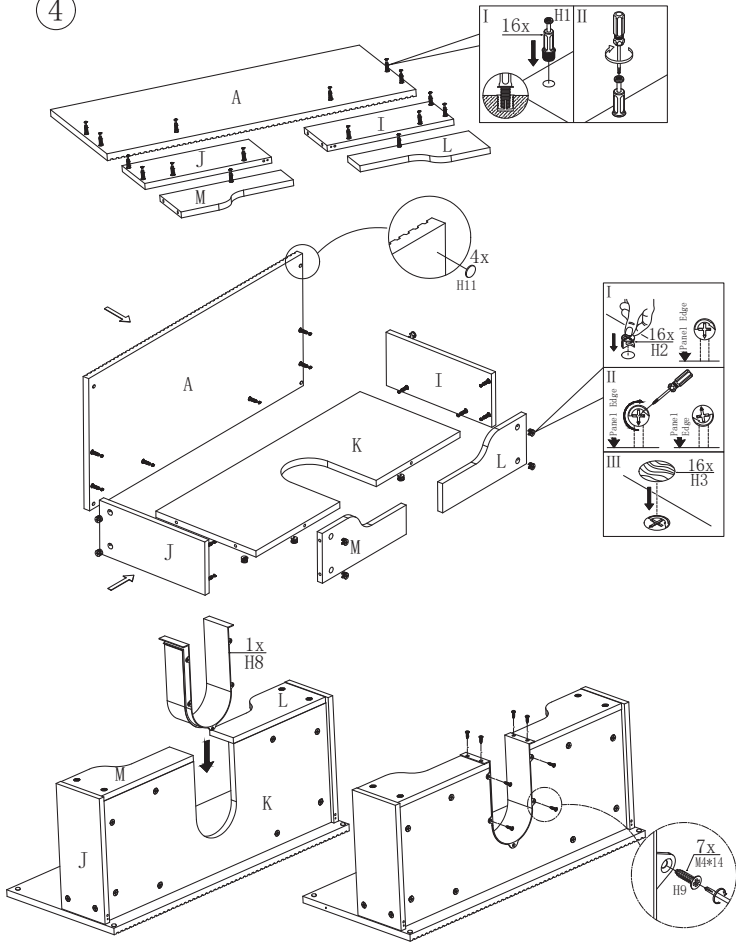
6

3



7

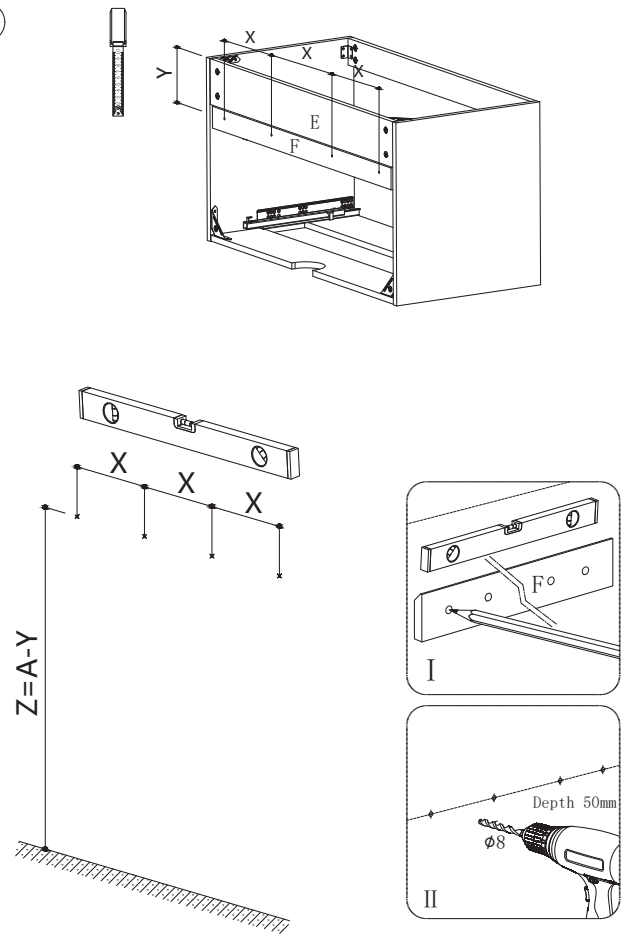
4



H1 16x	H2 16x	H3 16x	H9 M4x14	H11 4x	H8 1x		
-----------	-----------	-----------	-------------	-----------	----------	--	--

8

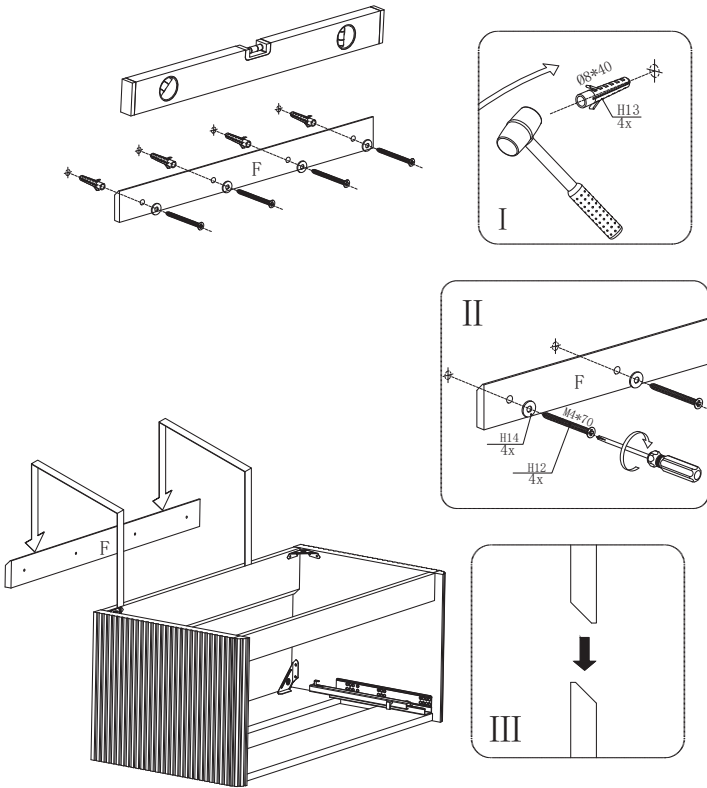
5



--	--	--	--

9

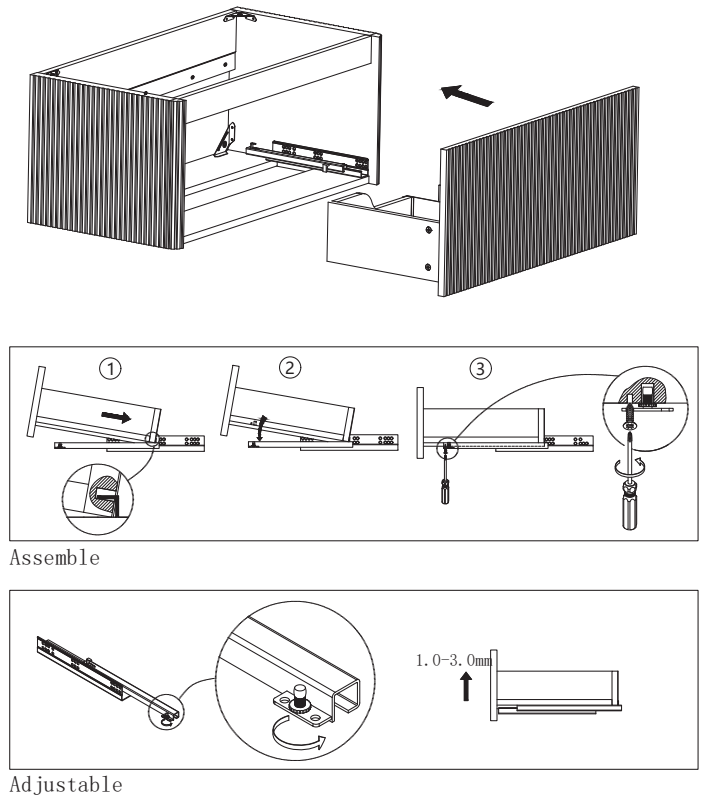
6



H12 M4x20 4x	H13 Ø8x40 4x	H14 4x	⊕
--------------------	--------------------	-----------	---

10

7



H10 M4x20 2x	⊕
--------------------	---

11