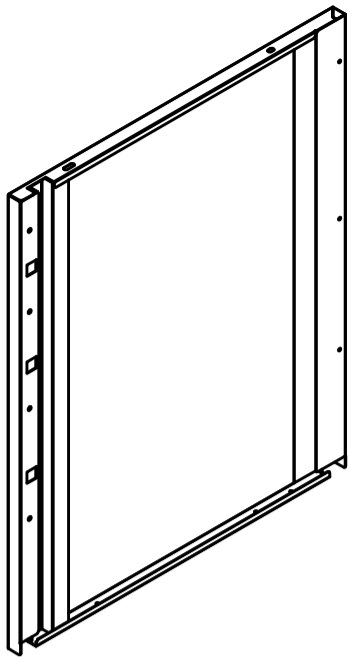
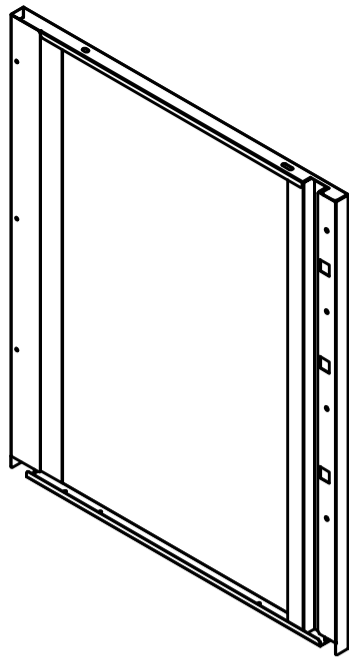


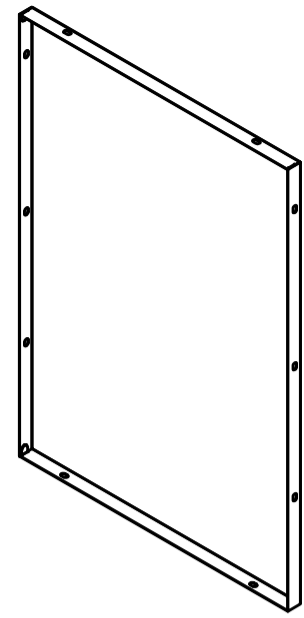
**NOTE: PLEASE AN ASSISTANT IS REQUIRED
ES NECESARIO UN AYUDANTE UN ASSISTANT
ES TNECESSAIRE.**



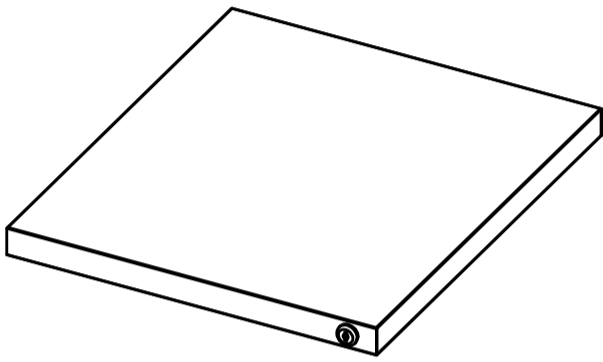
A:Left side panel



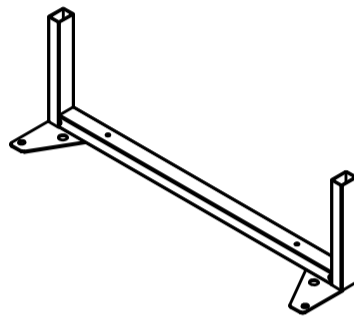
B:Right side panel



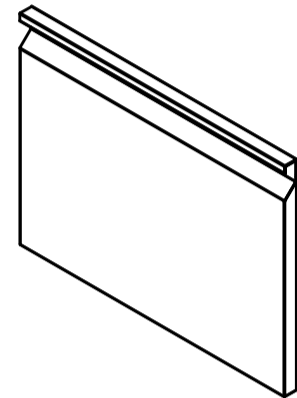
C:back panel



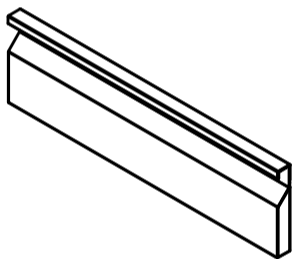
D:Top panel



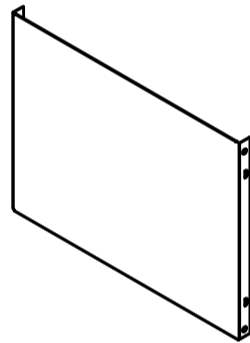
E:Lower horizontal frame x 2



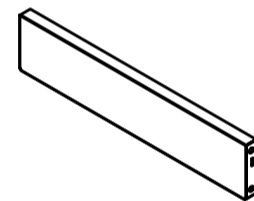
F:Large drawer panels



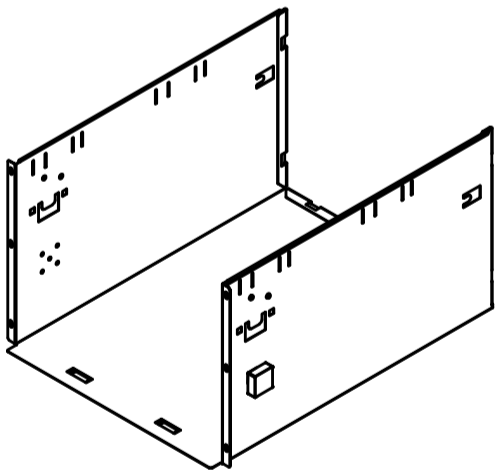
G:Small drawer panels x 2



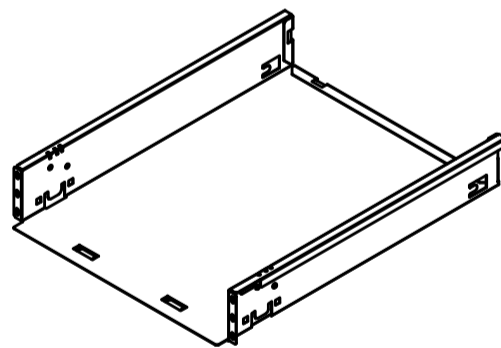
H:Large drawer backsplash



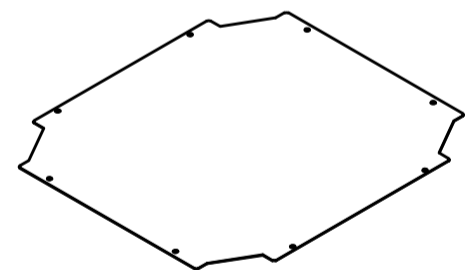
I:Small drawer backsplash x 2



J:Large drawer box



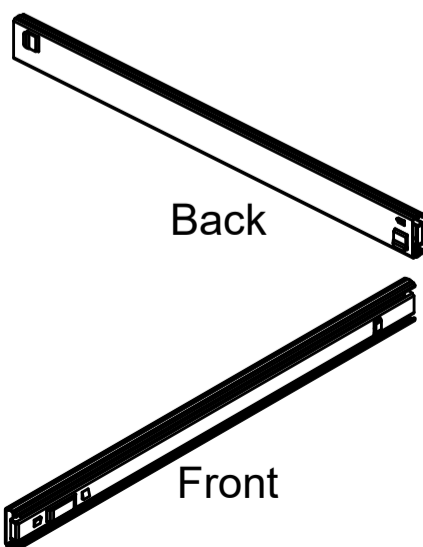
K:Small drawer box x 2



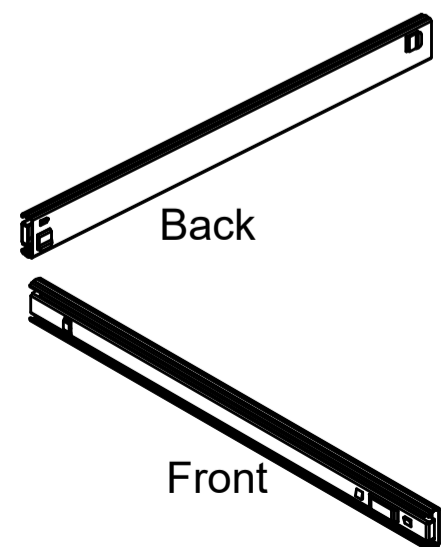
L:Bottom plate



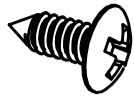
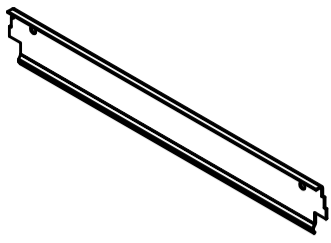
M:Lock lever



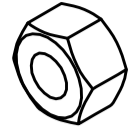
N:Left slide rail x 3



O:Right slide rail x 3



4x10mm

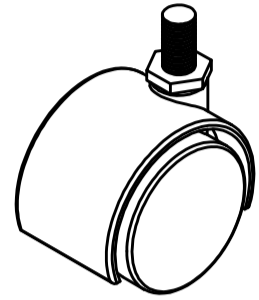
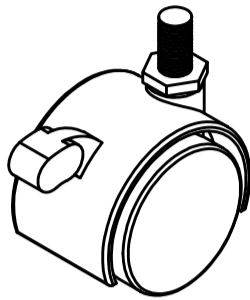
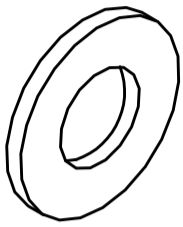


M8

P:Hanging rod

Q:Screw x 42

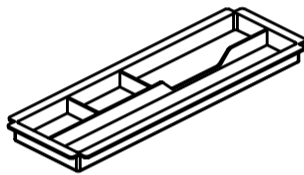
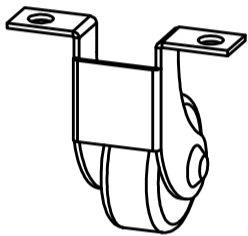
R:Nut x 4



S:Bolt washers x 4

T:Front movable wheels x 2

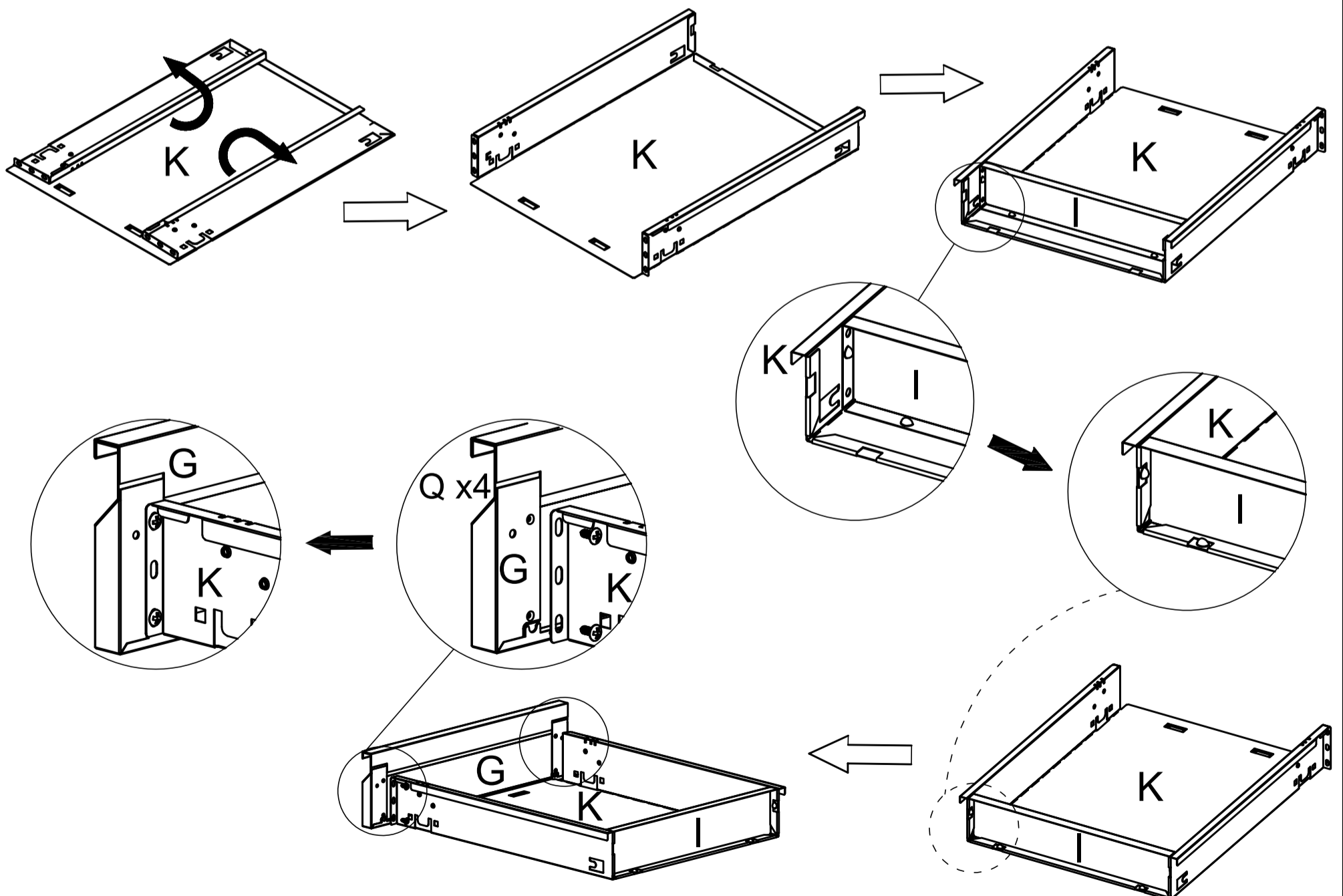
U:Rear movable wheels x 2



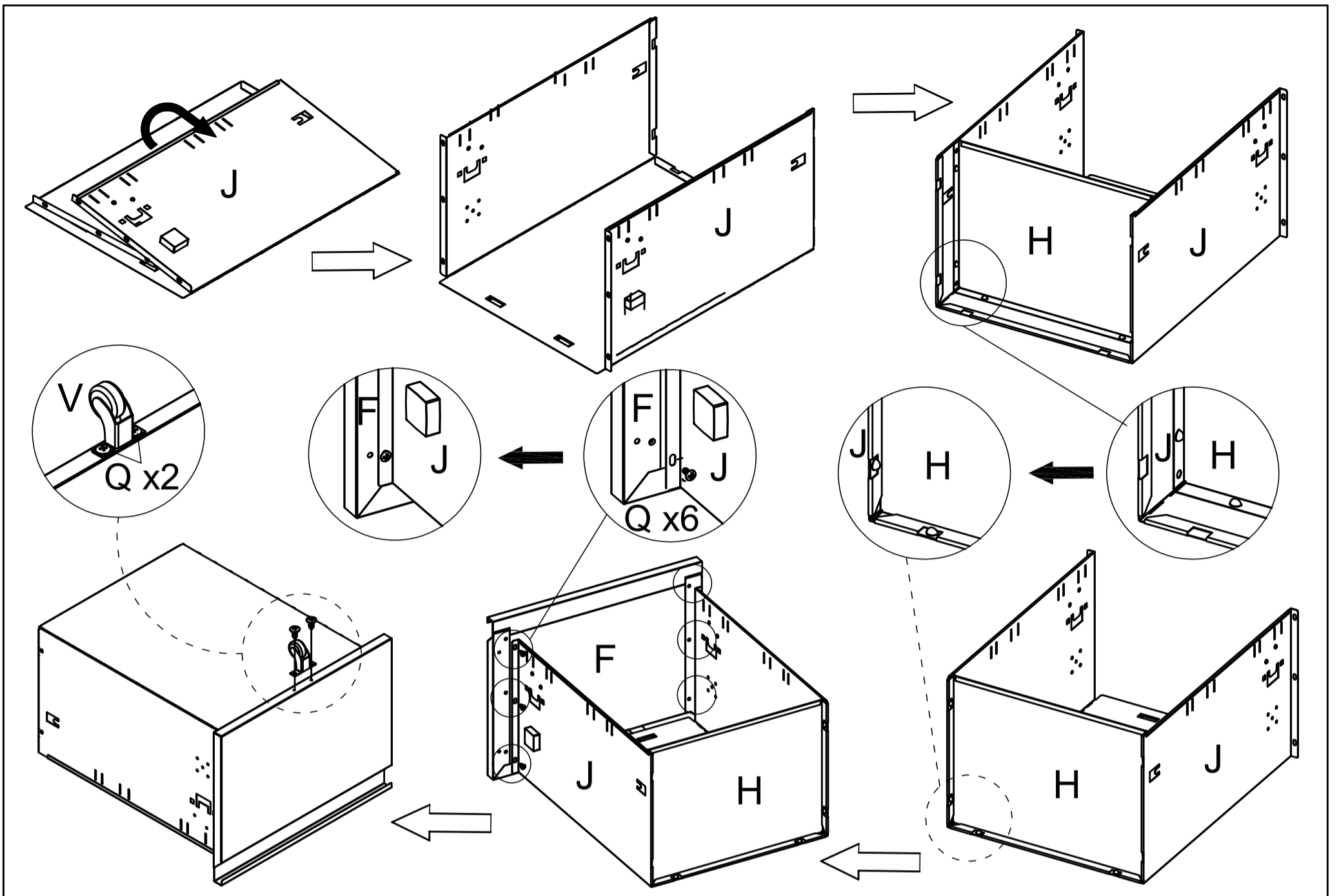
V:Anti-tipping wheels

W:Stationery box

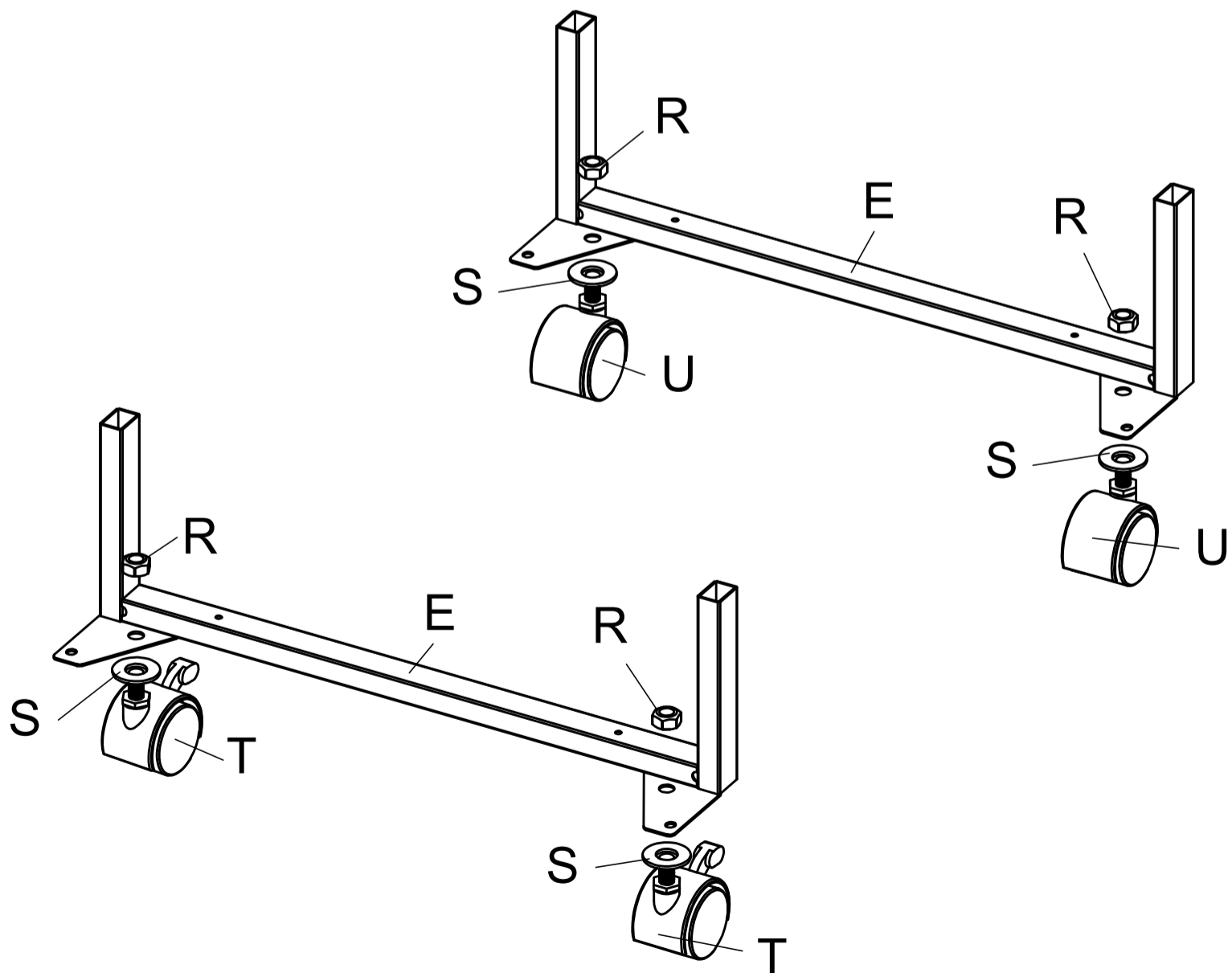
X:Plastic gaskets x 6



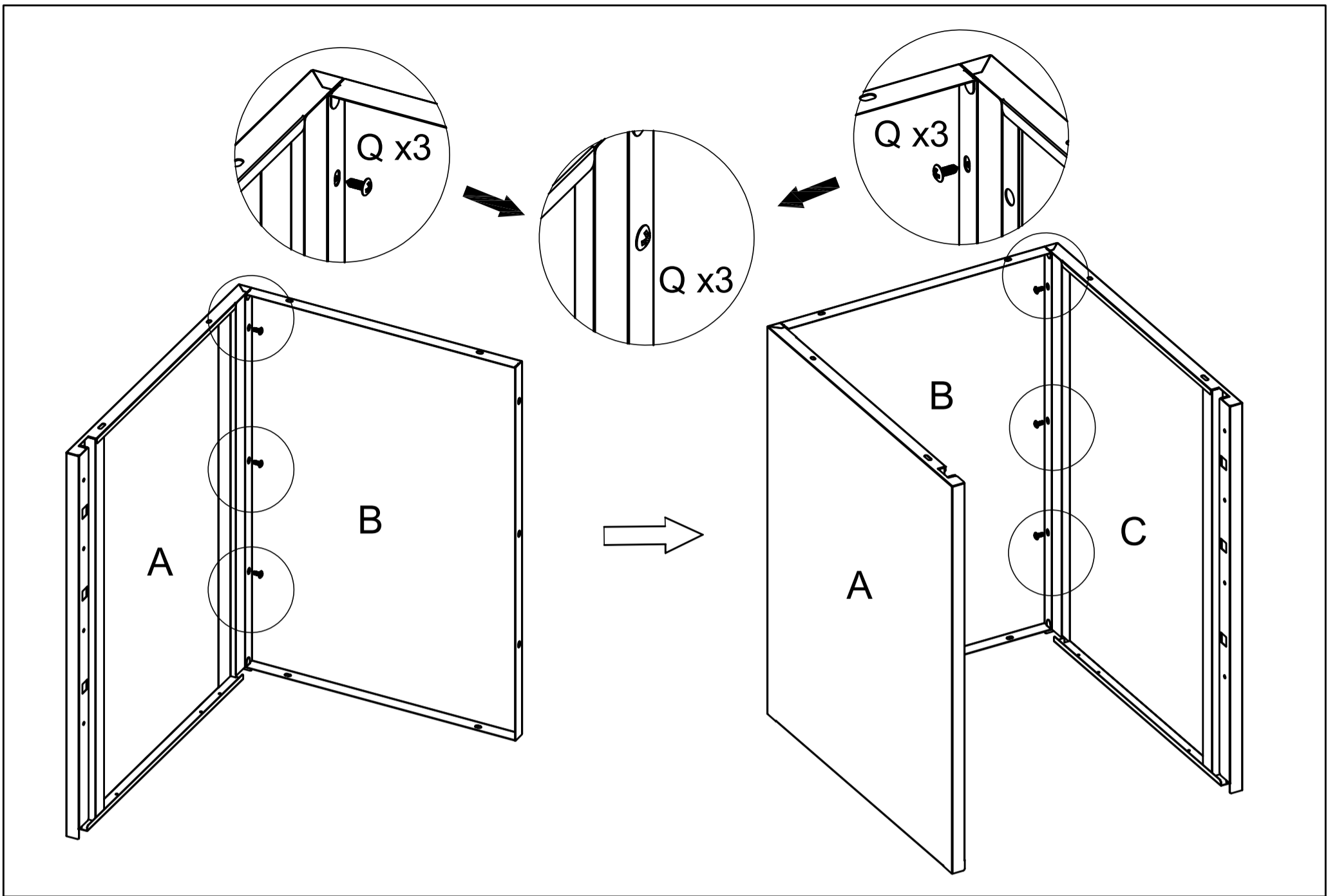
1. Install K and I. Install G, secure with screw Q



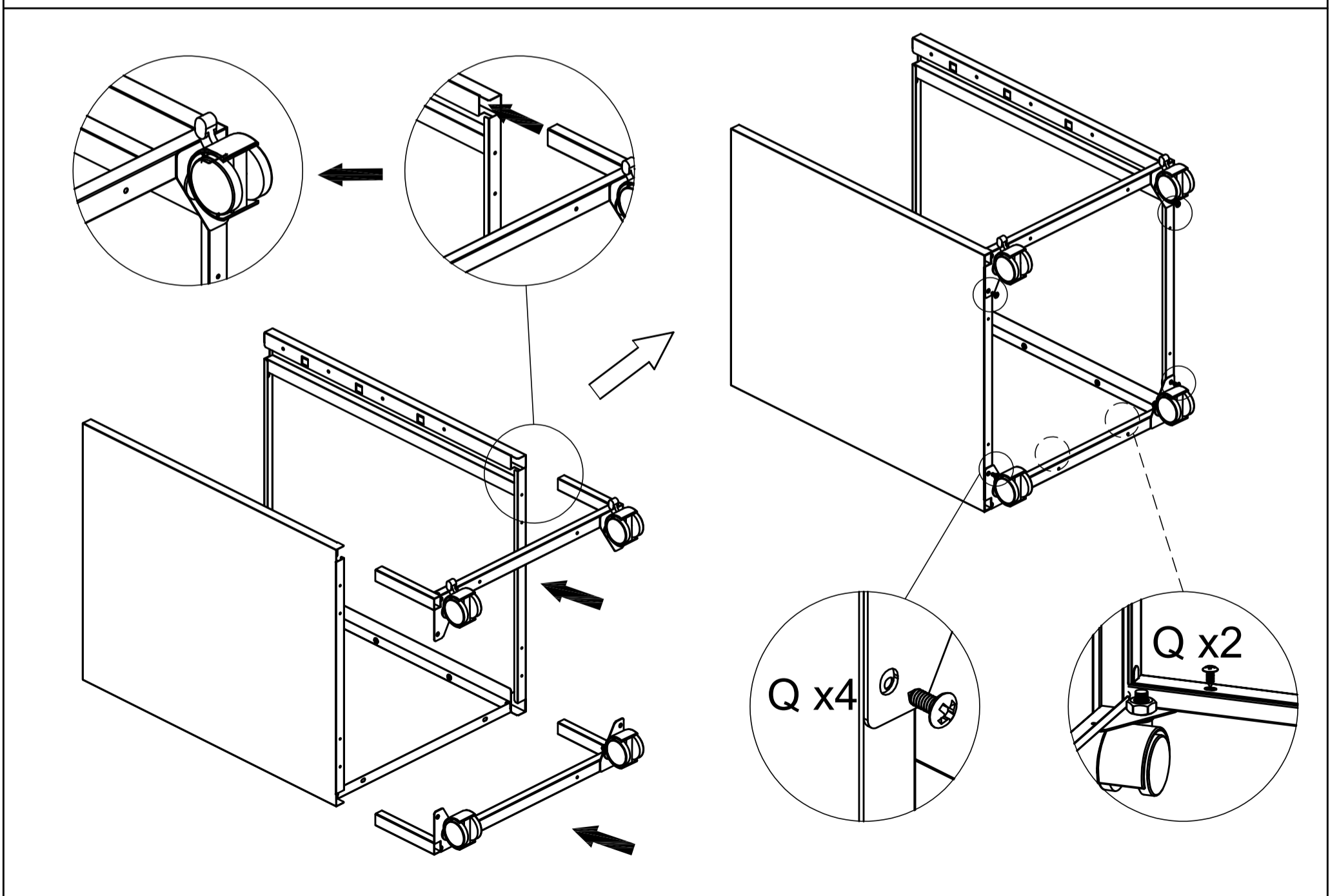
2. Install H and J. Install F, secure with screw Q



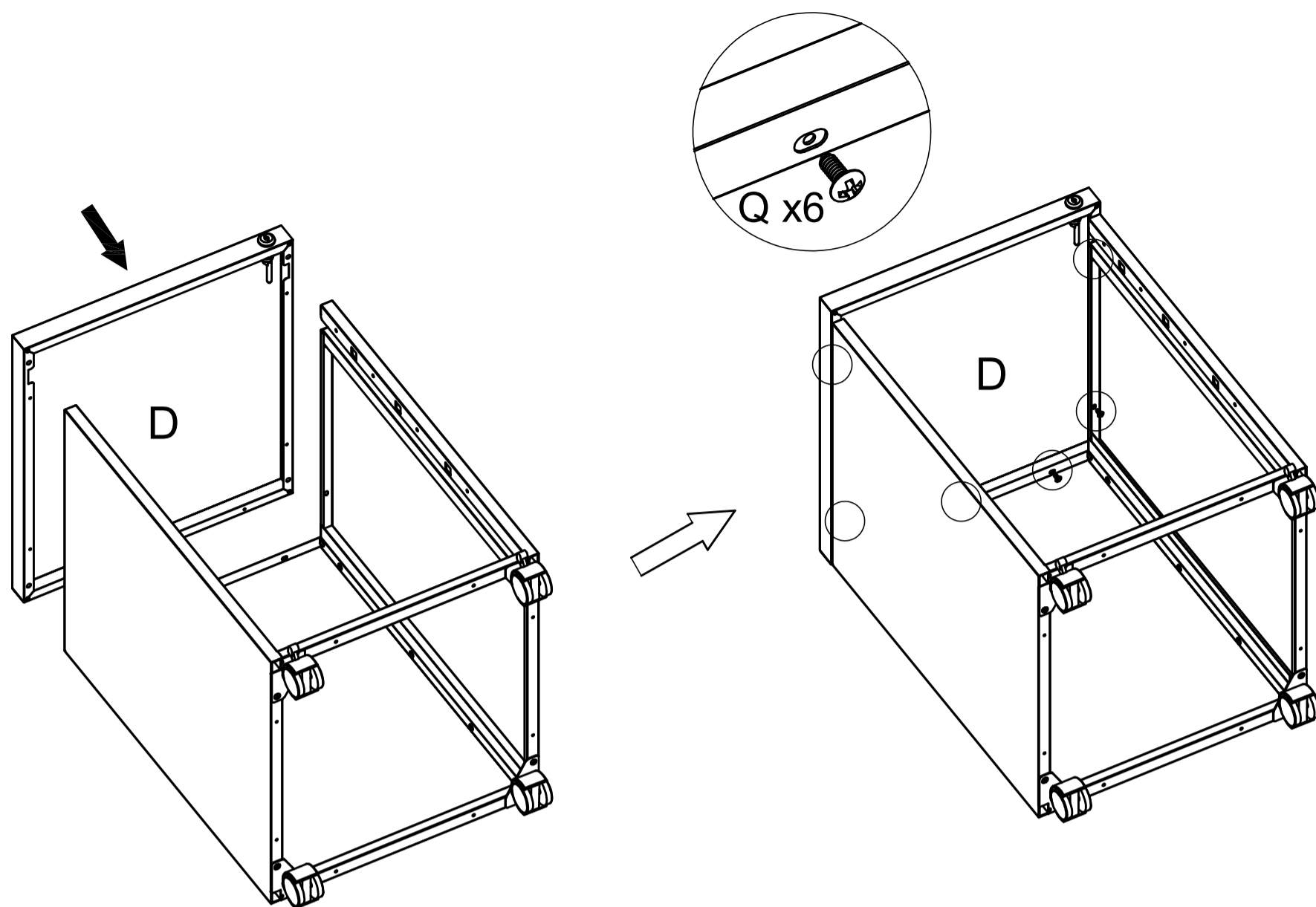
3. Install E,R,S and U. Install E,R,S and T.



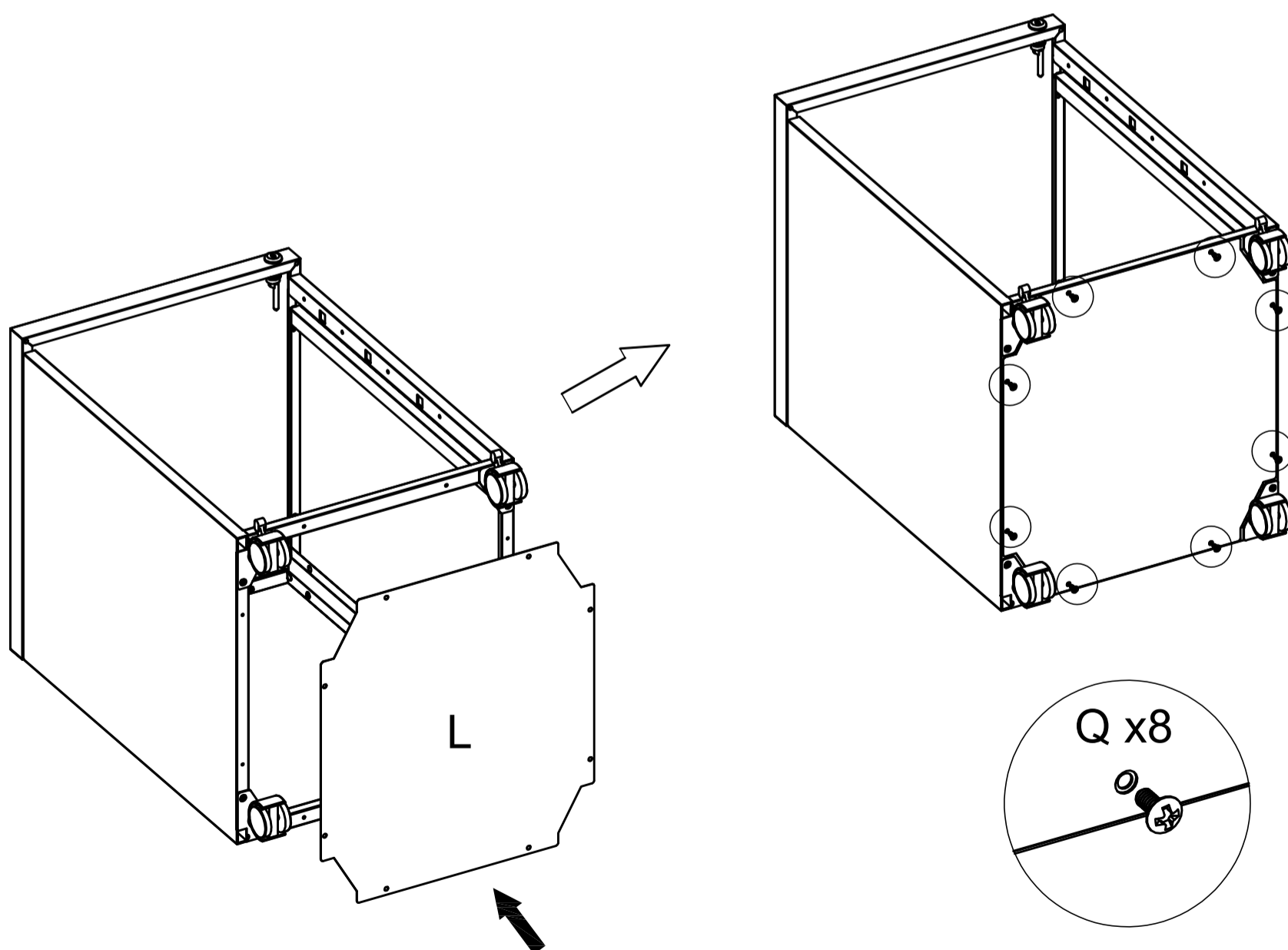
4. Install A ,B and C, secure with screw Q



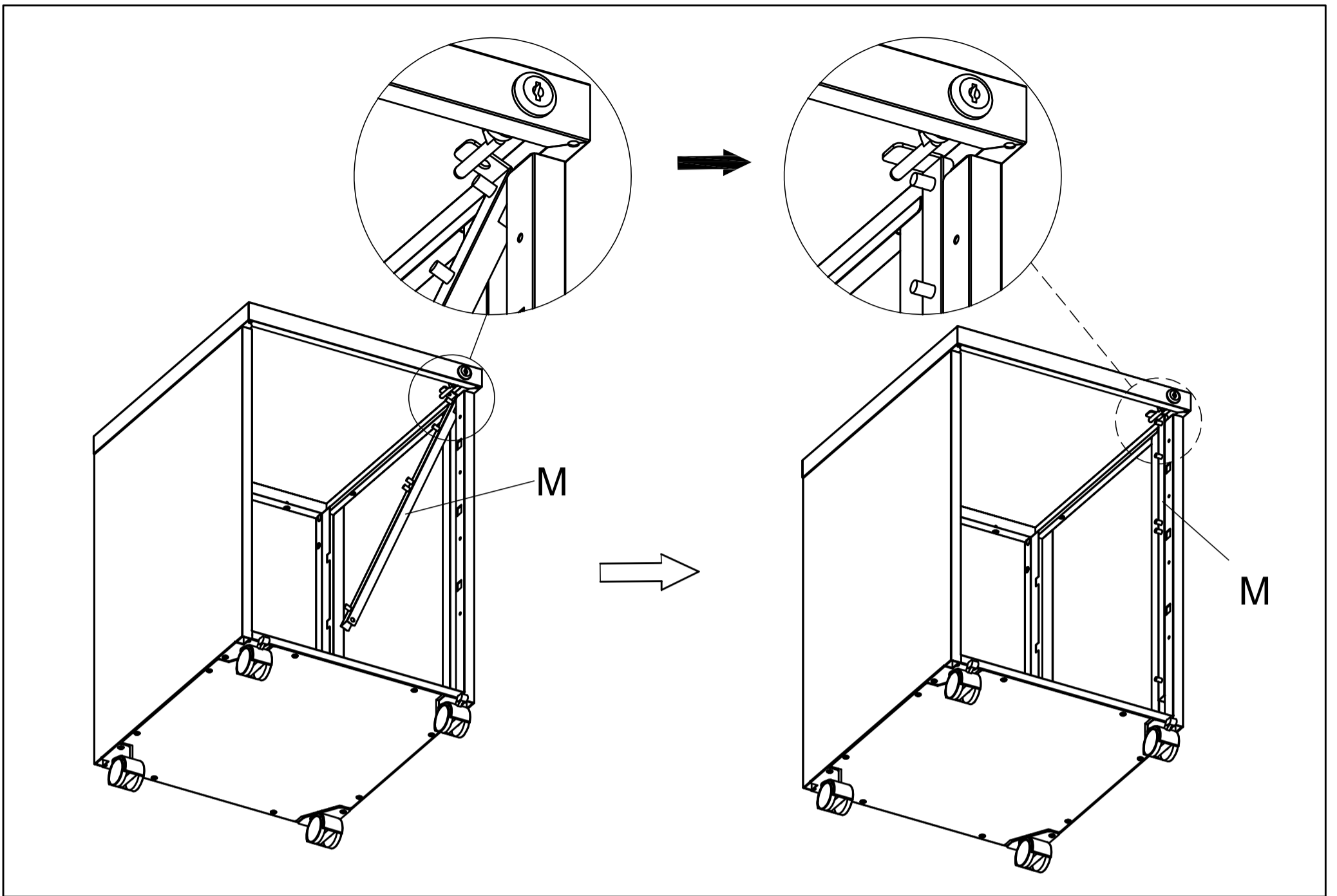
5. Install E, secure with screw Q



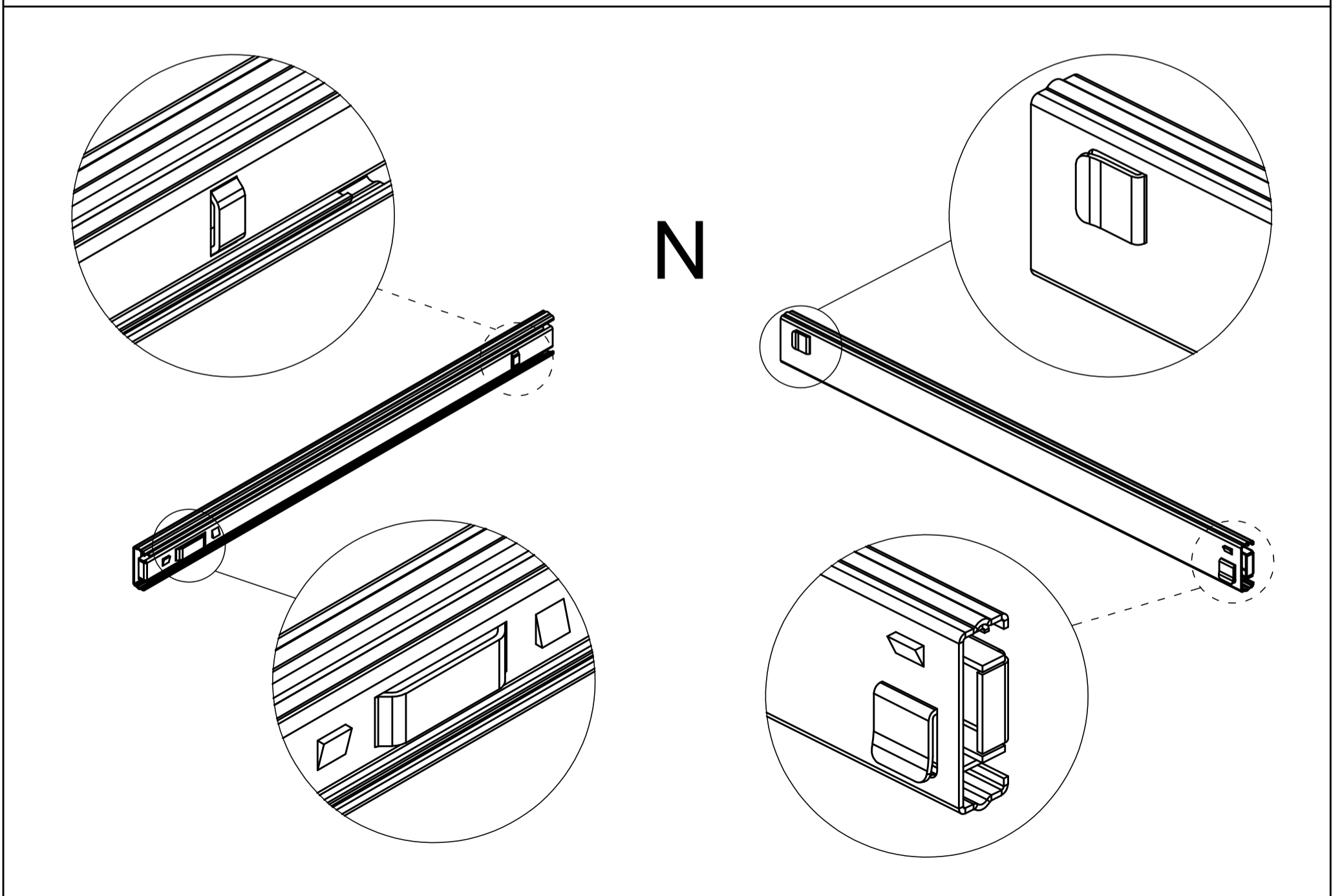
6. Install D, secure with screw Q



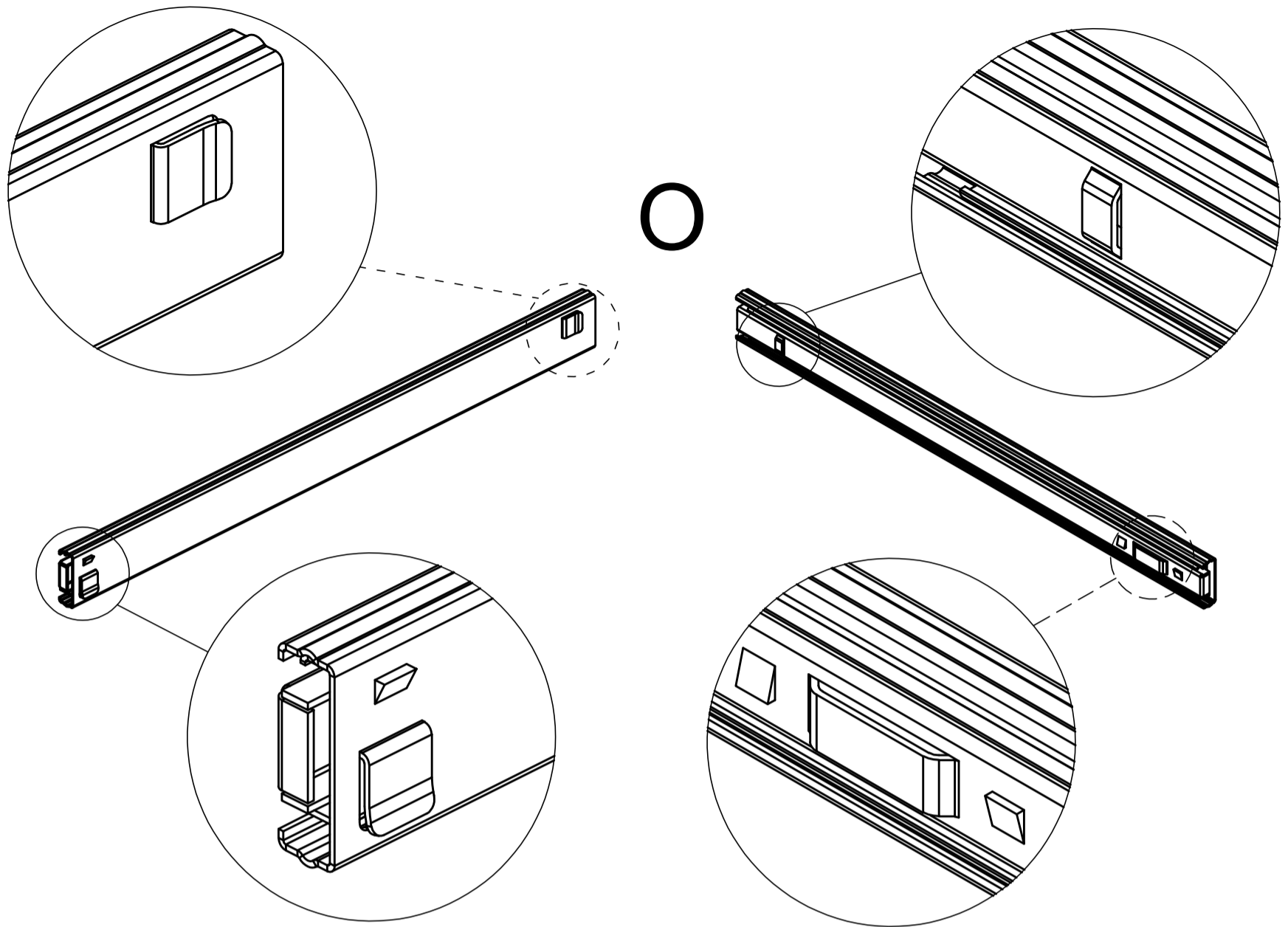
7. Install L, secure with screw Q



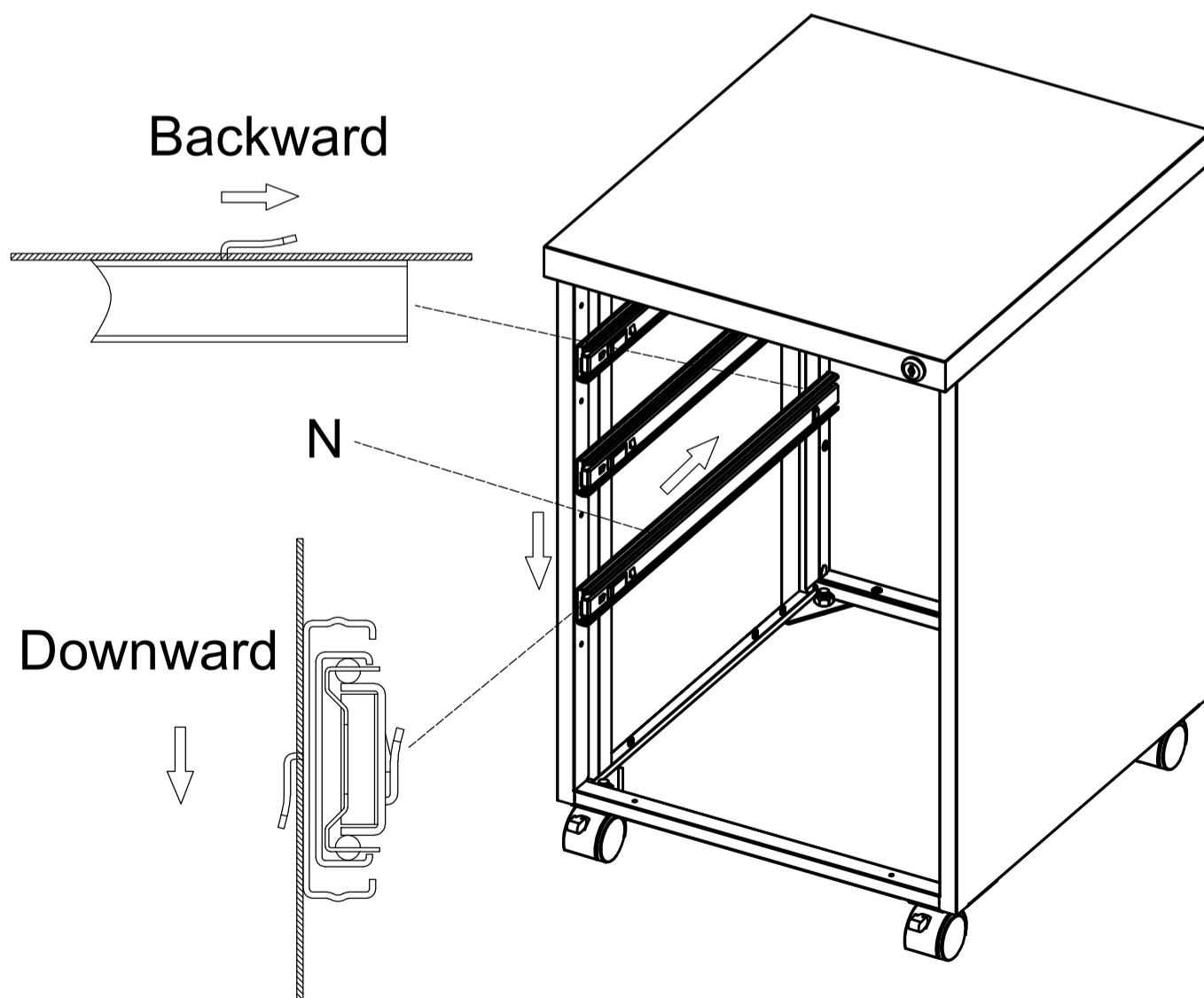
8. Install M



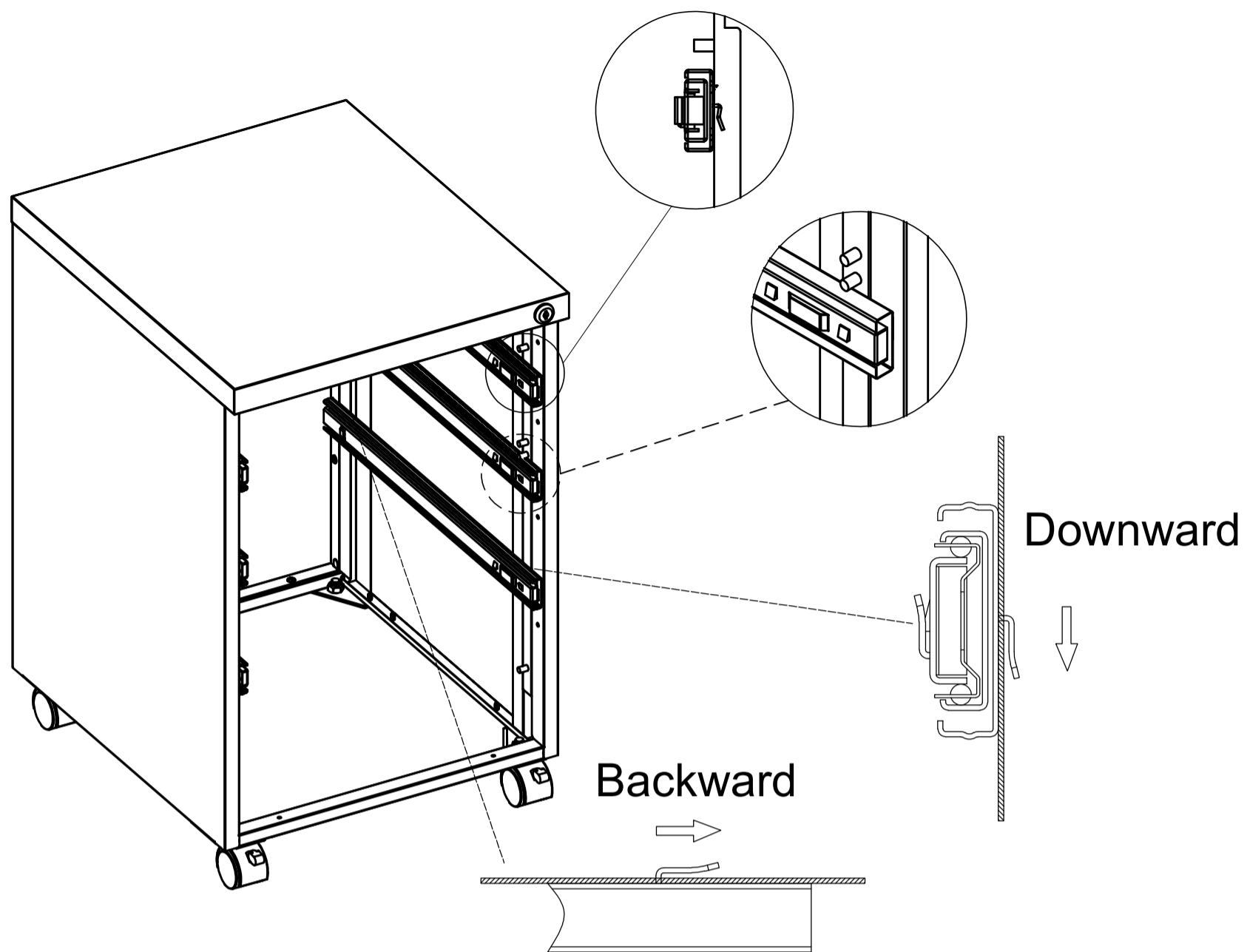
9. Left slide rail N



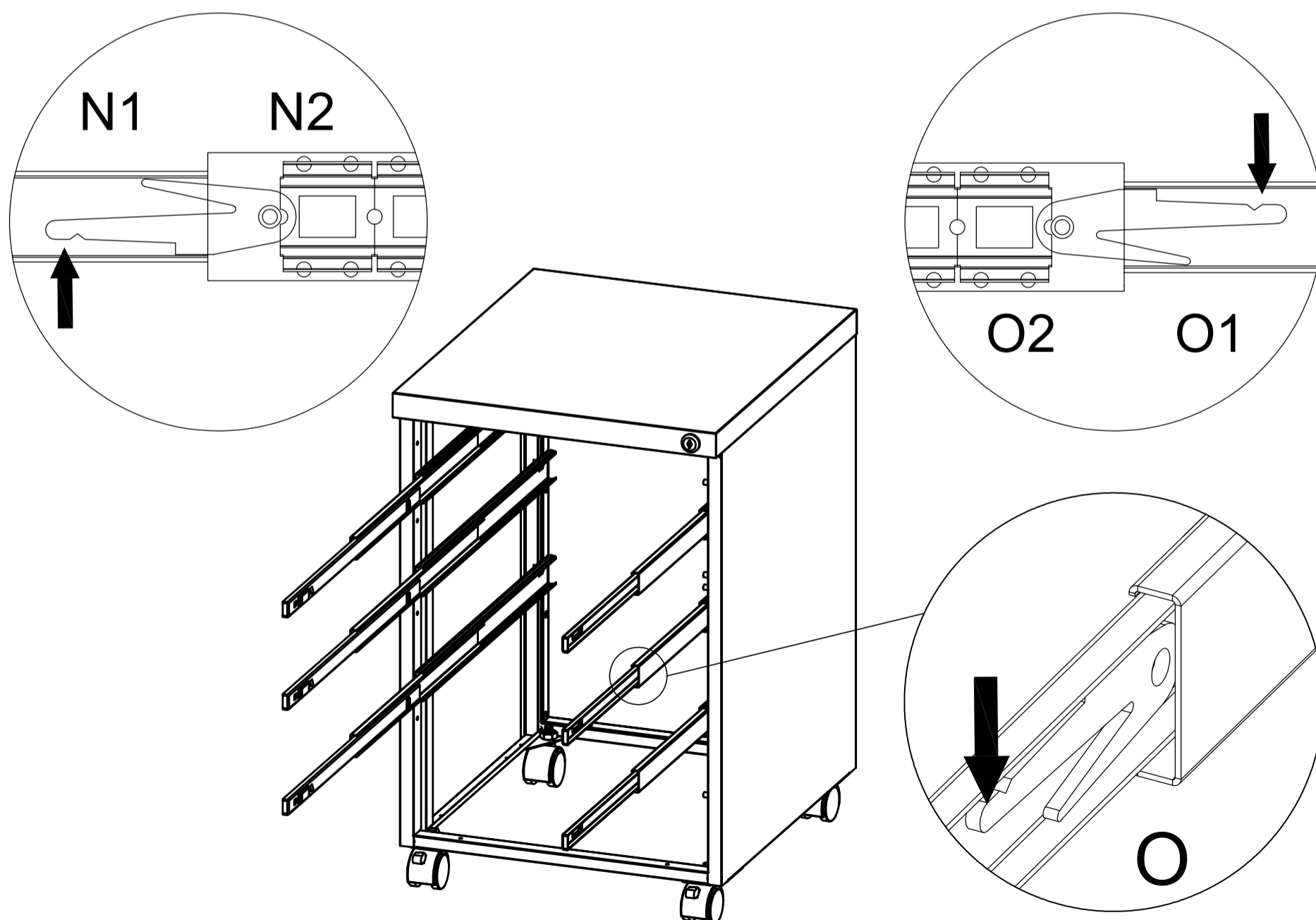
10. Right slide rail O



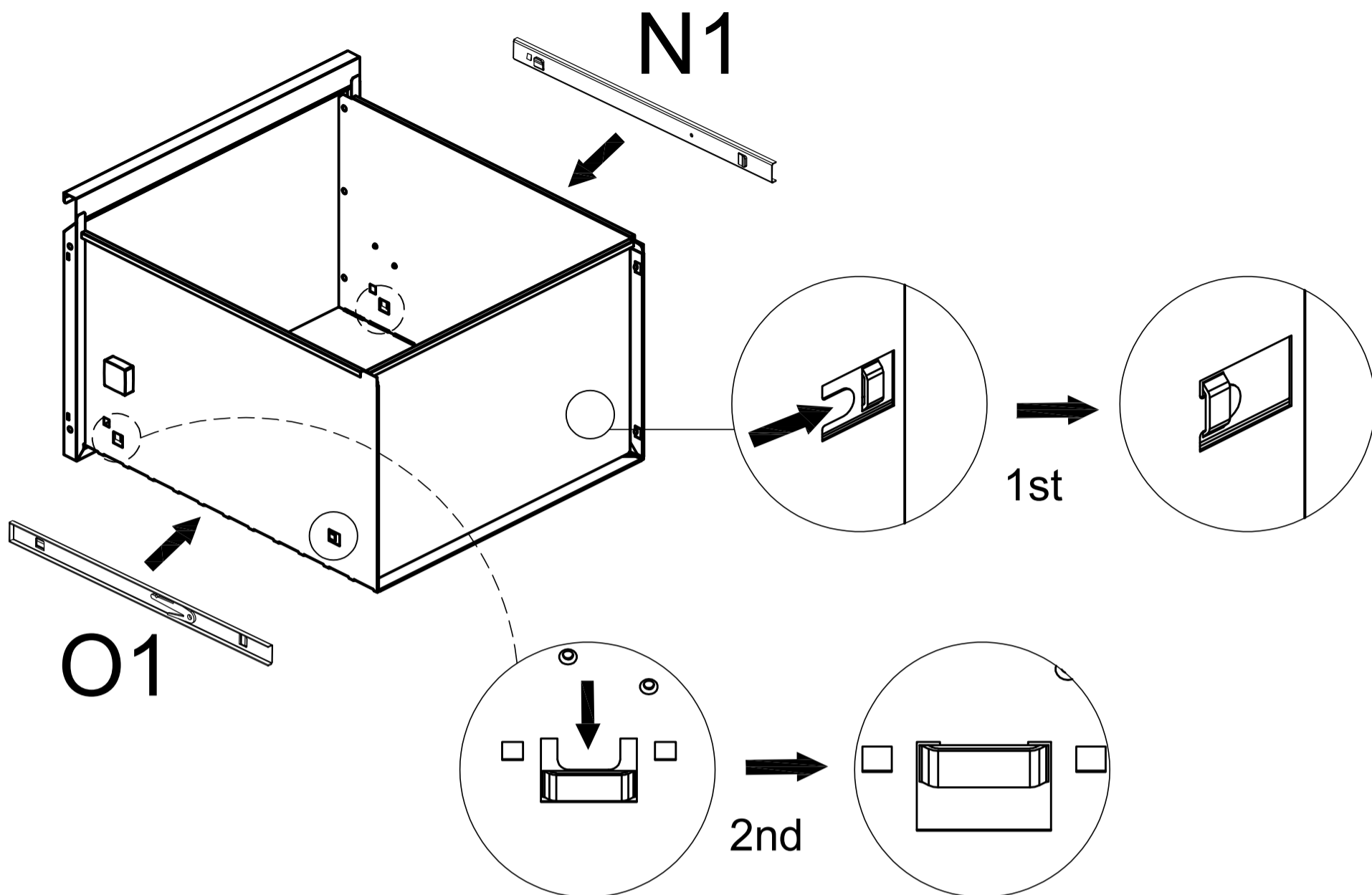
11. Install left slide rail N



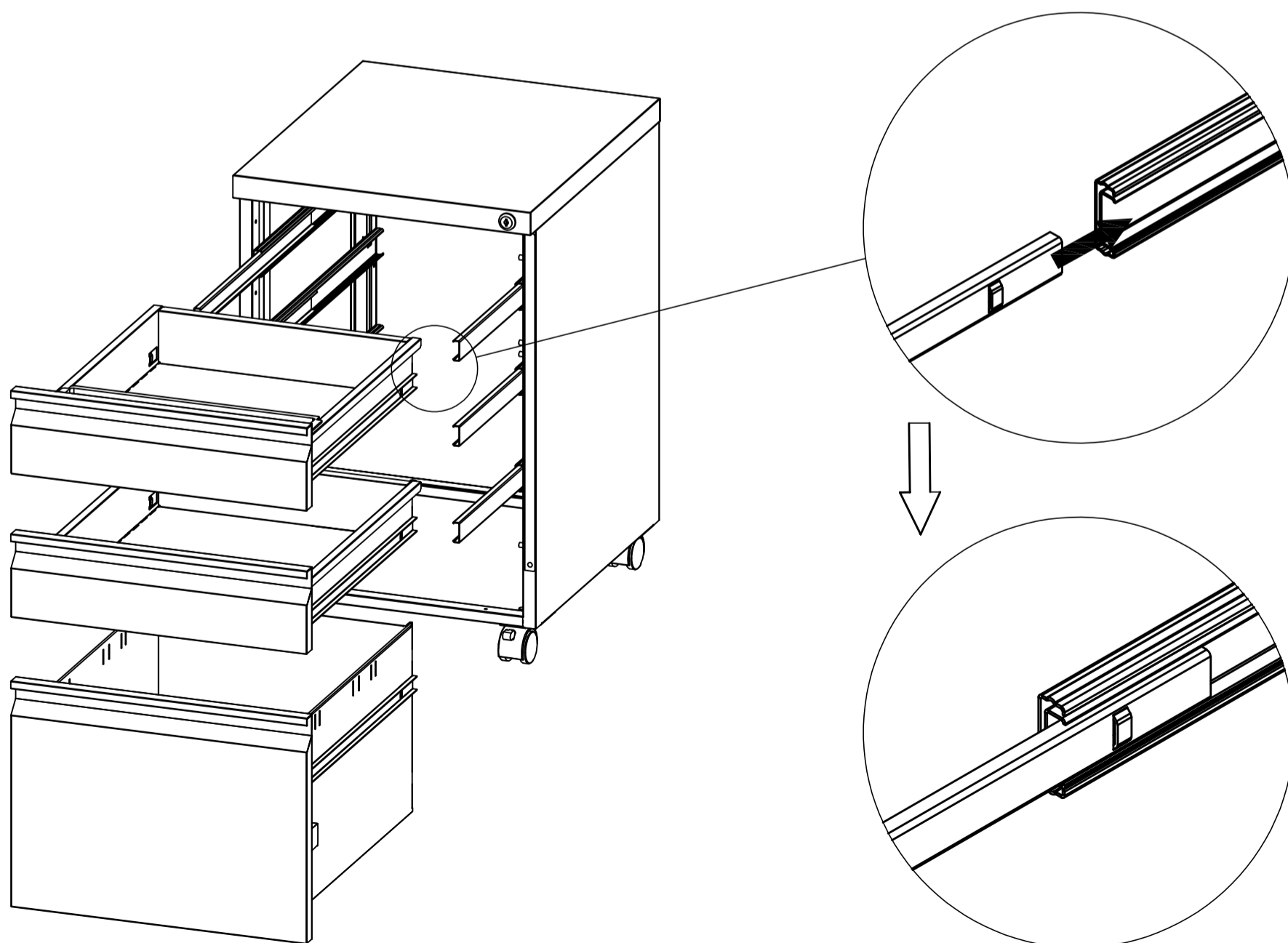
12. Install left slide rail O

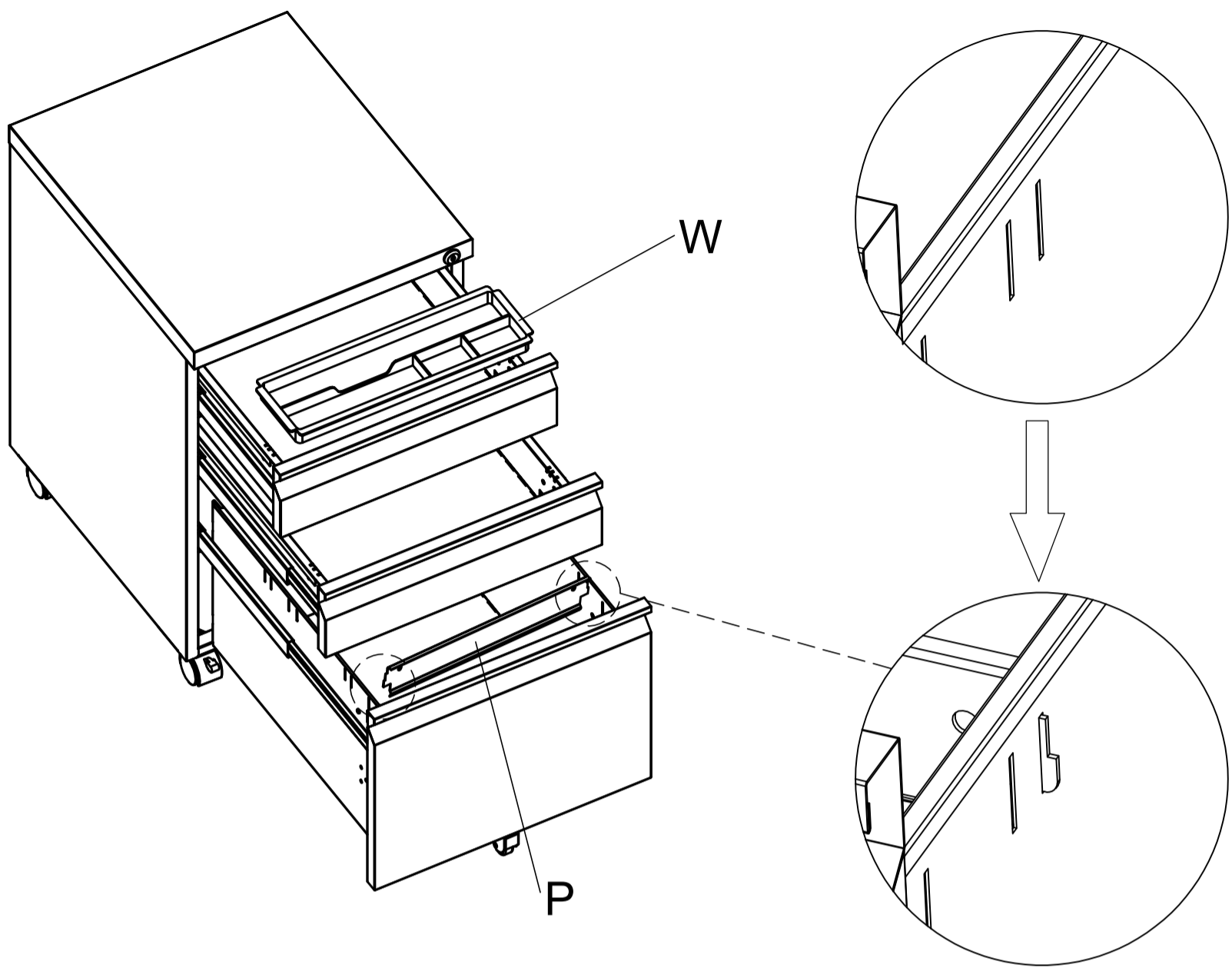


13. Divide the slide rail into N1(O1) and N2(O2)



14. Install N1 and O1 on the three drawers





16. Install P and W

