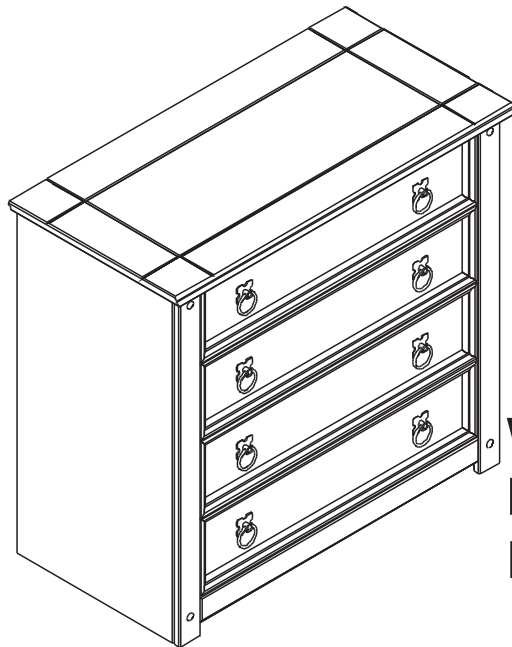
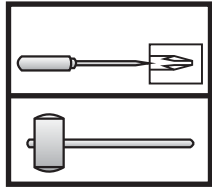
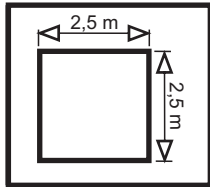
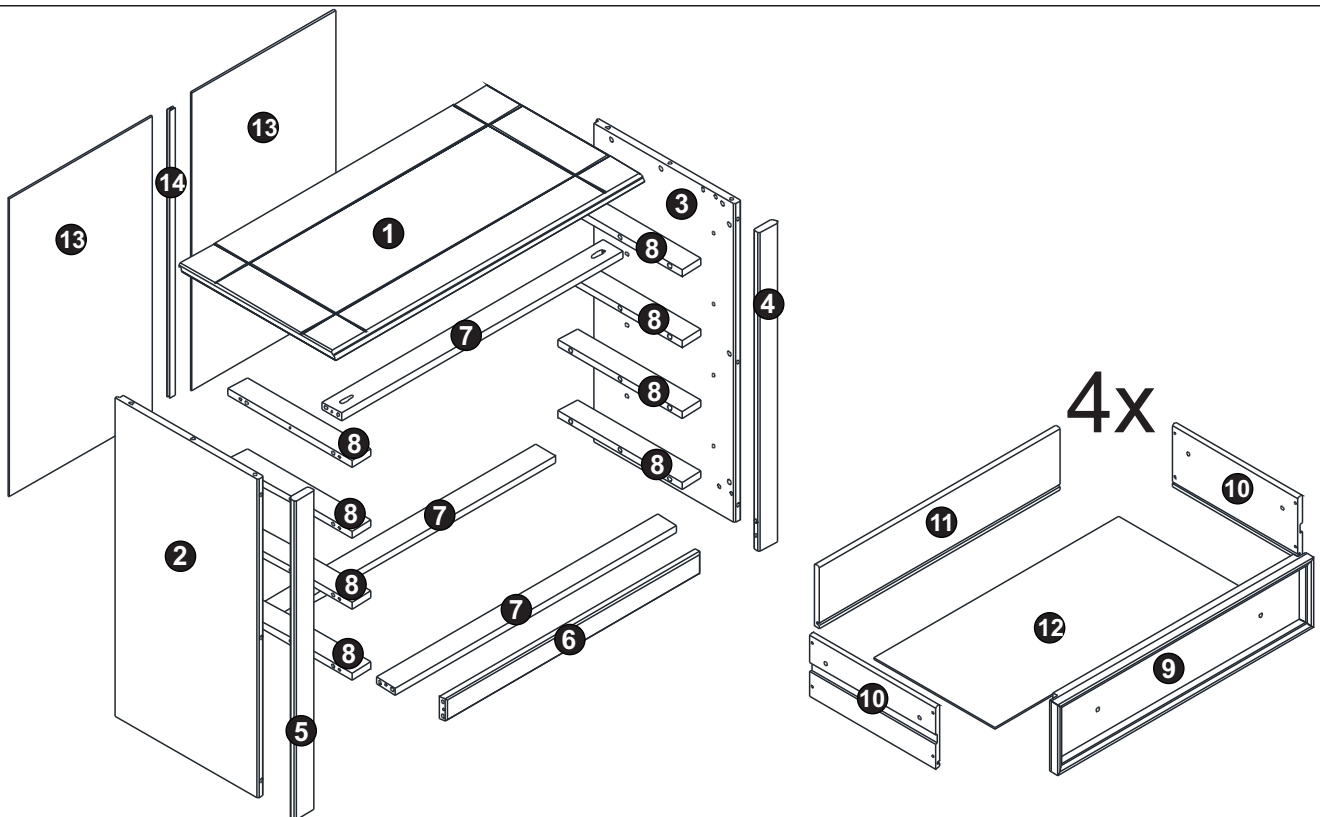


SMALL 4 DRAWER CHEST



Width = 80cm
Depth = 40,5cm
Height = 73,2cm

- Please check that all fittings are correct before assembling the item.
- Replacement parts can be supplied for any damages to the item.
- Please keep all packaging until the item is assembled as we will require information from this if replacement parts are required.
- If you have any questions regarding the assembly of your item



4x

A		44 x
B		32 x
C		08 x

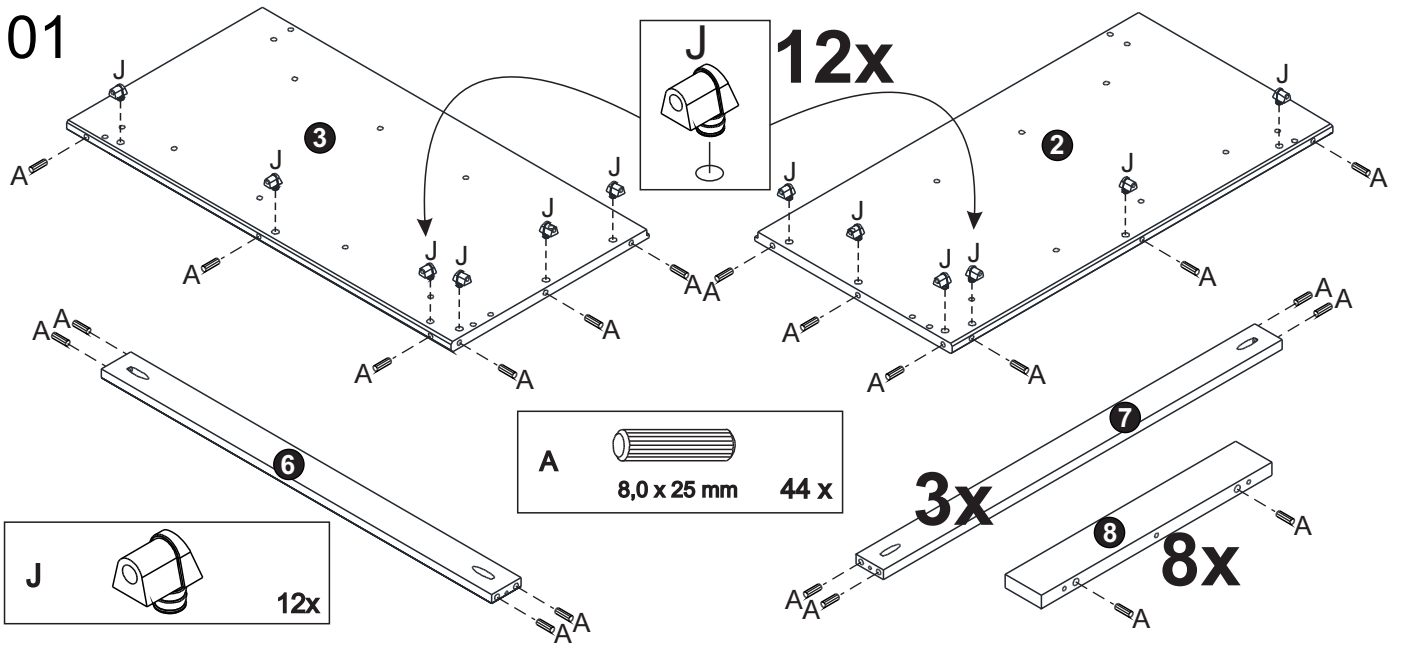
D		24 x
E		08 x
F		08 x

G		04 x
H		02 x
I		32 x

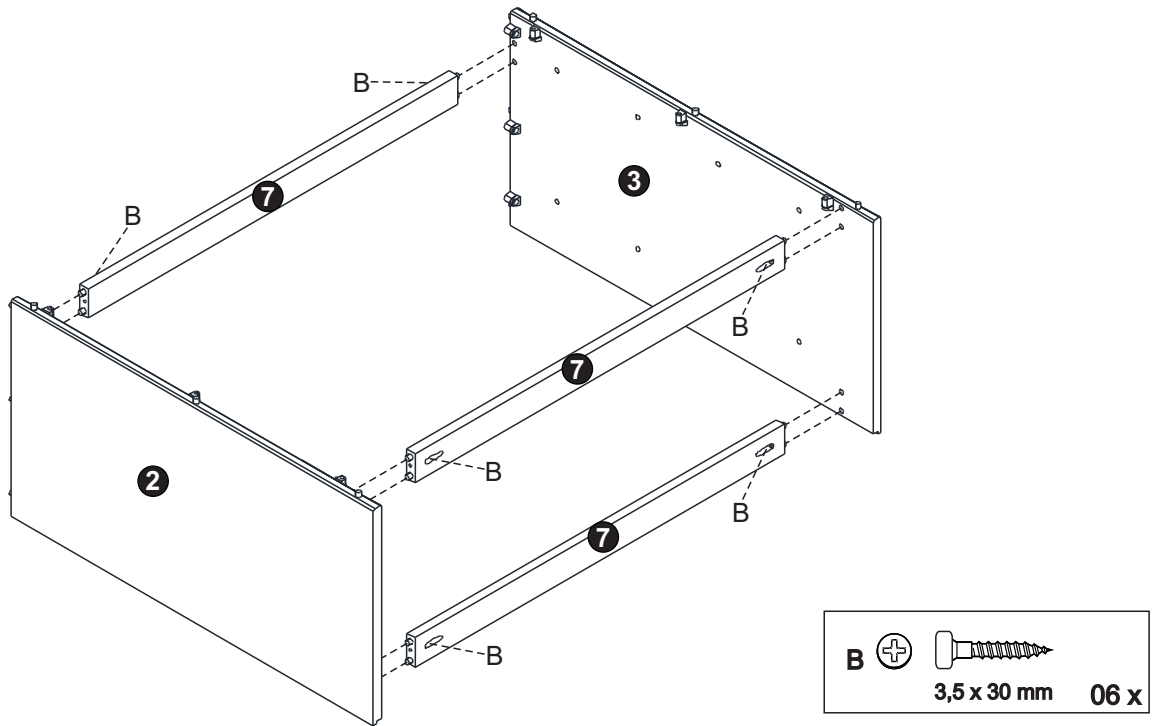
J		12 x
K		01 x
L		12 x

Y		01 x
----------	--	------

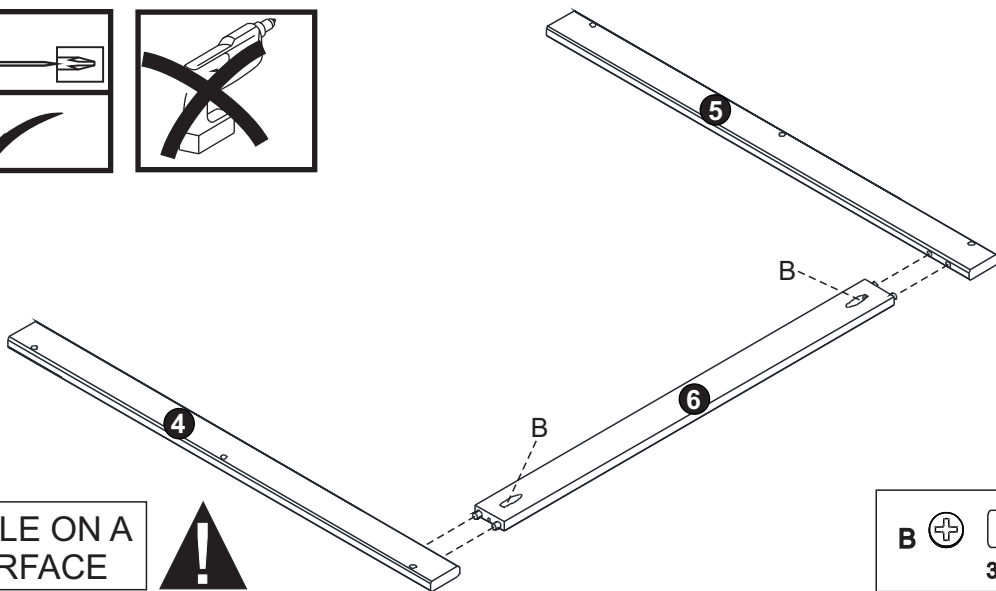
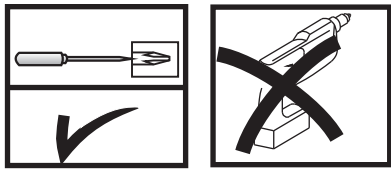
01



02



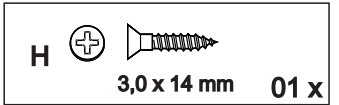
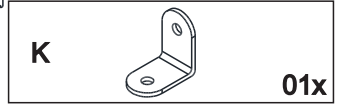
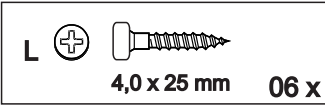
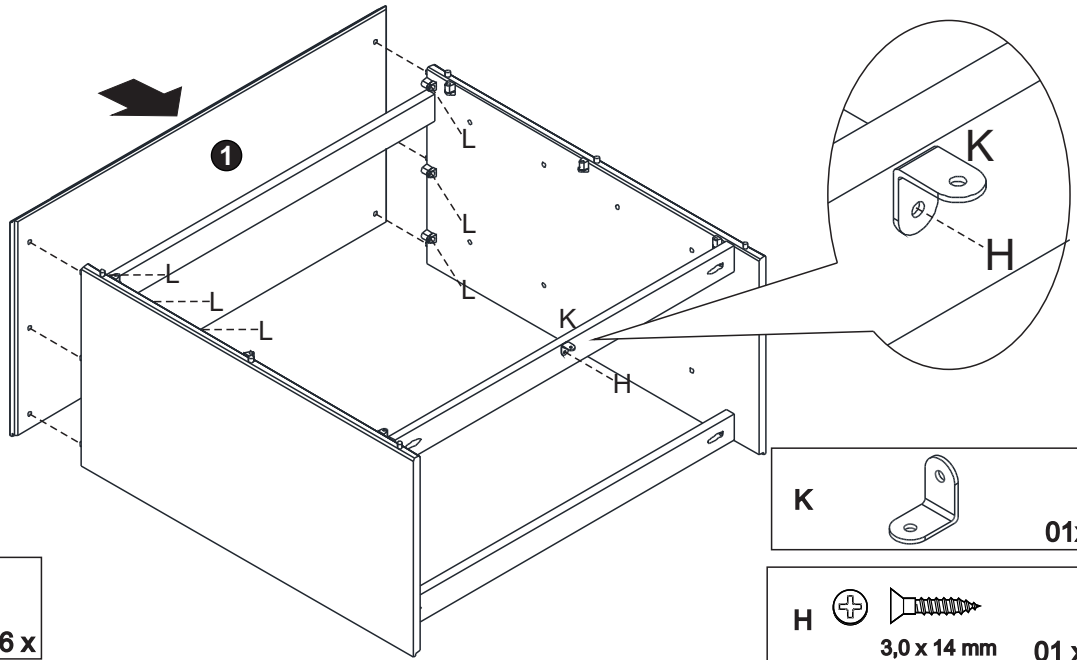
03



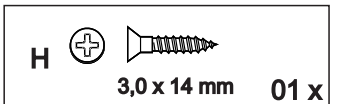
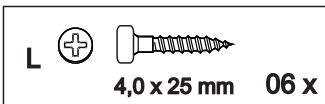
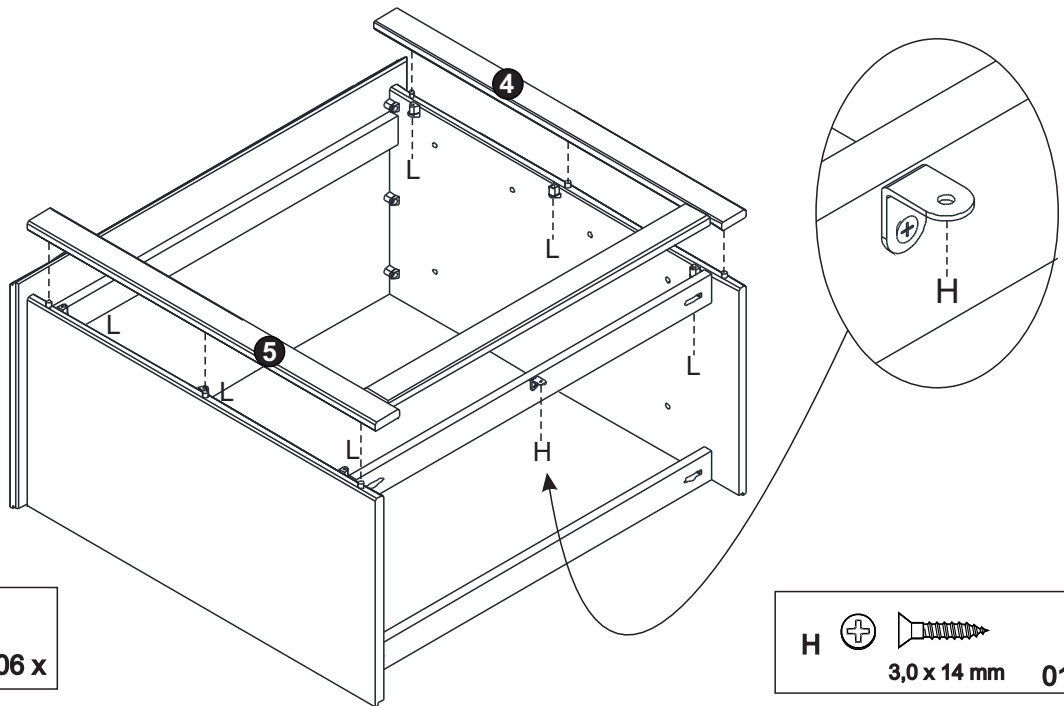
ASSEMBLE ON A FLAT SURFACE



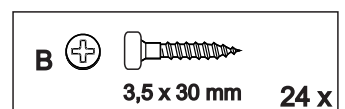
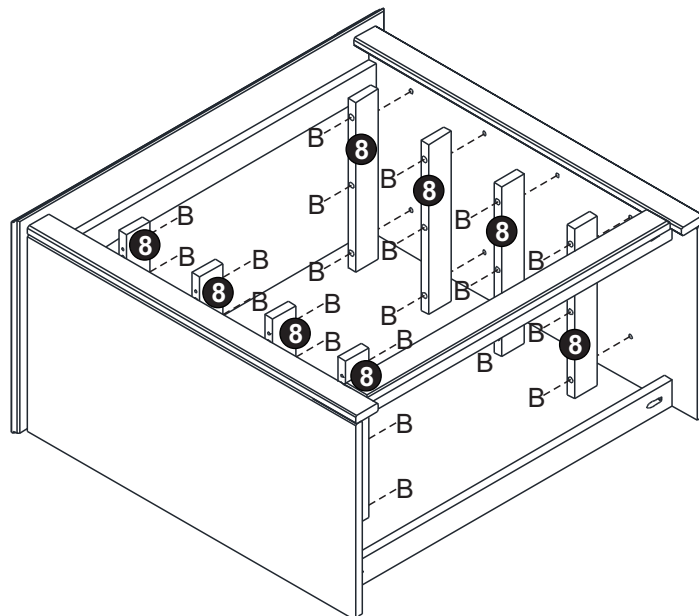
04



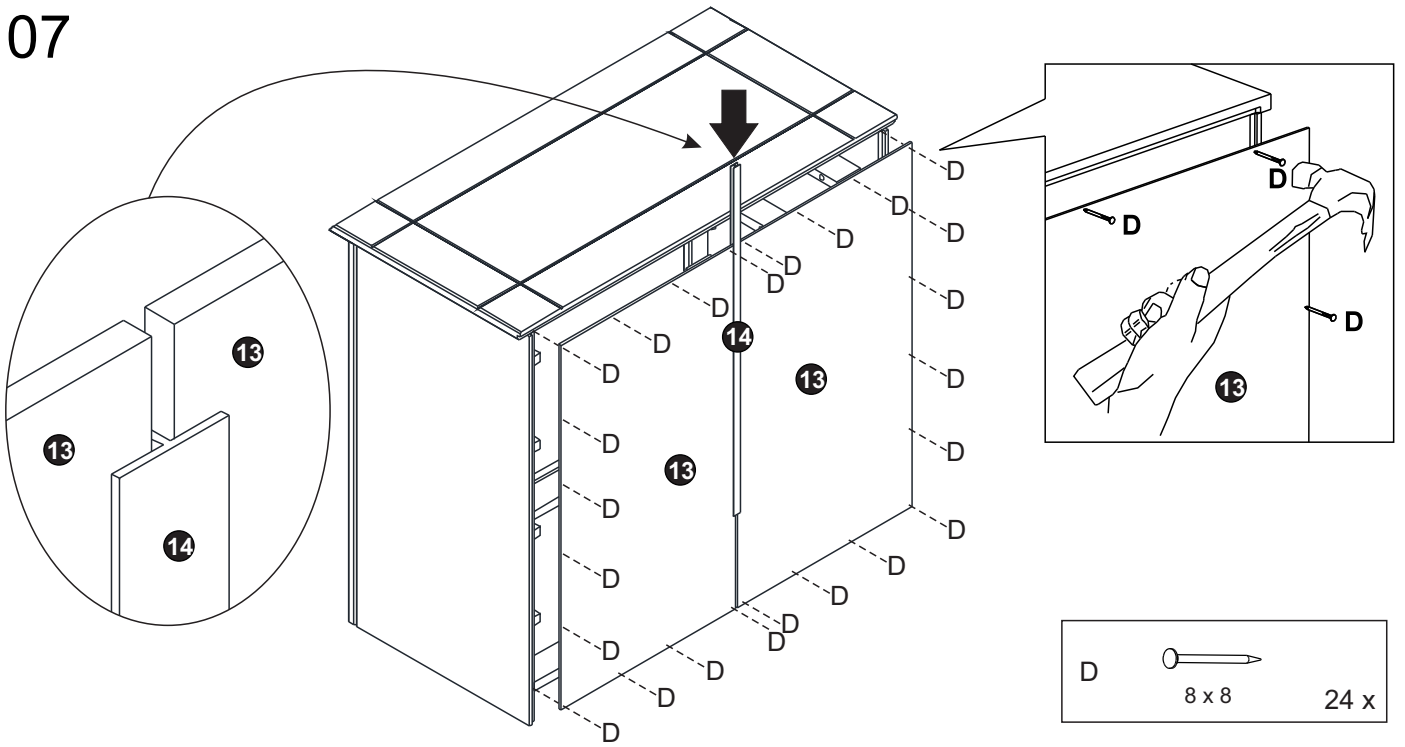
05



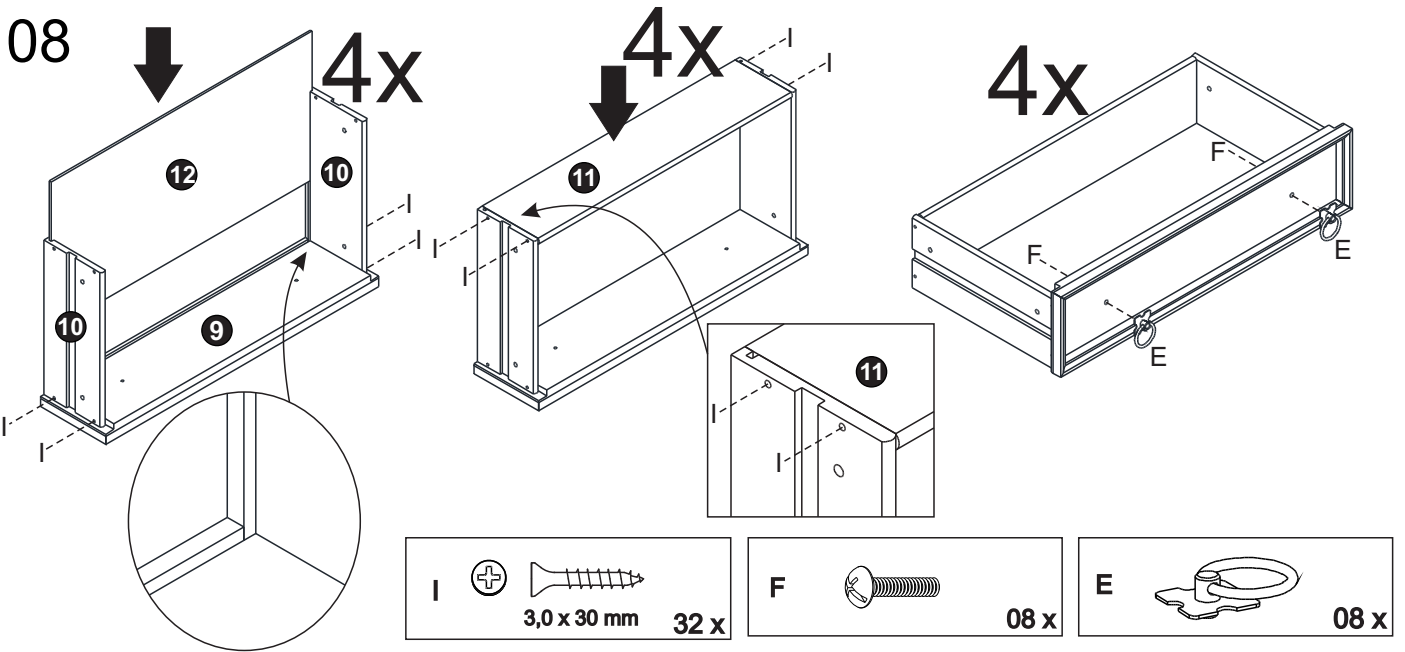
06



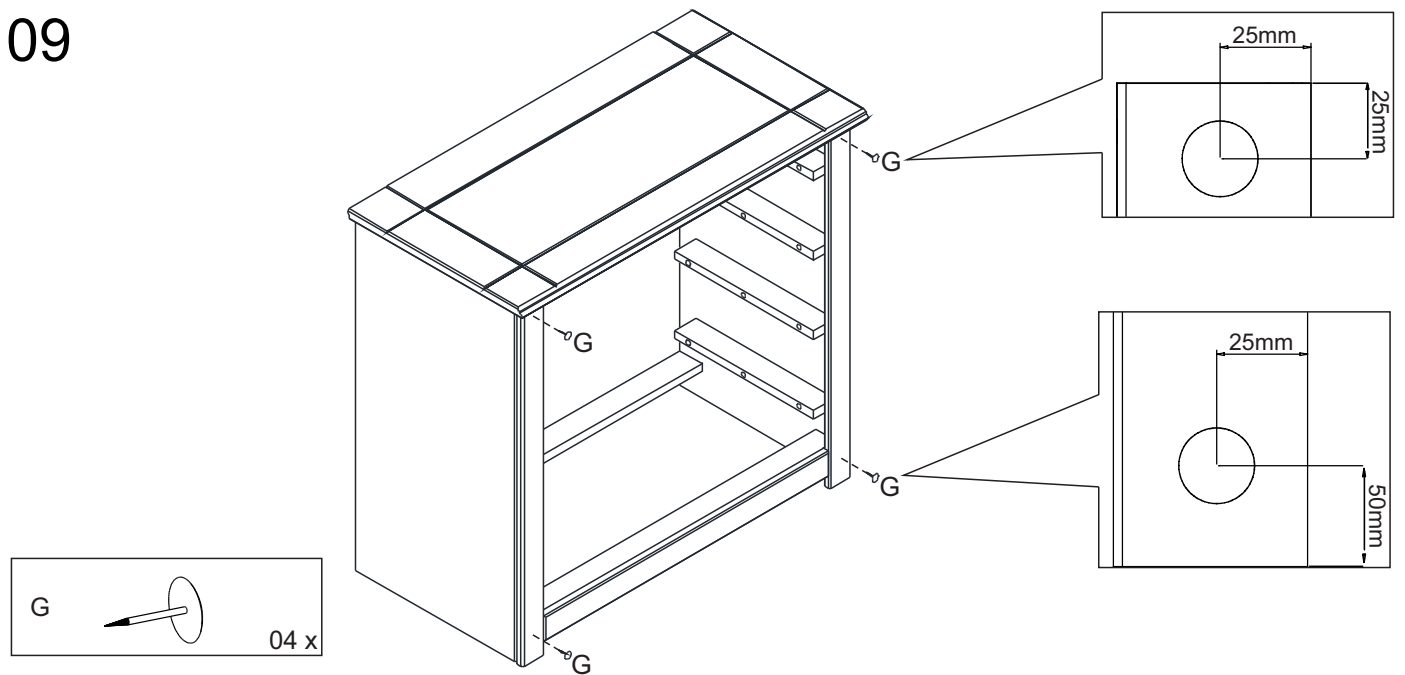
07



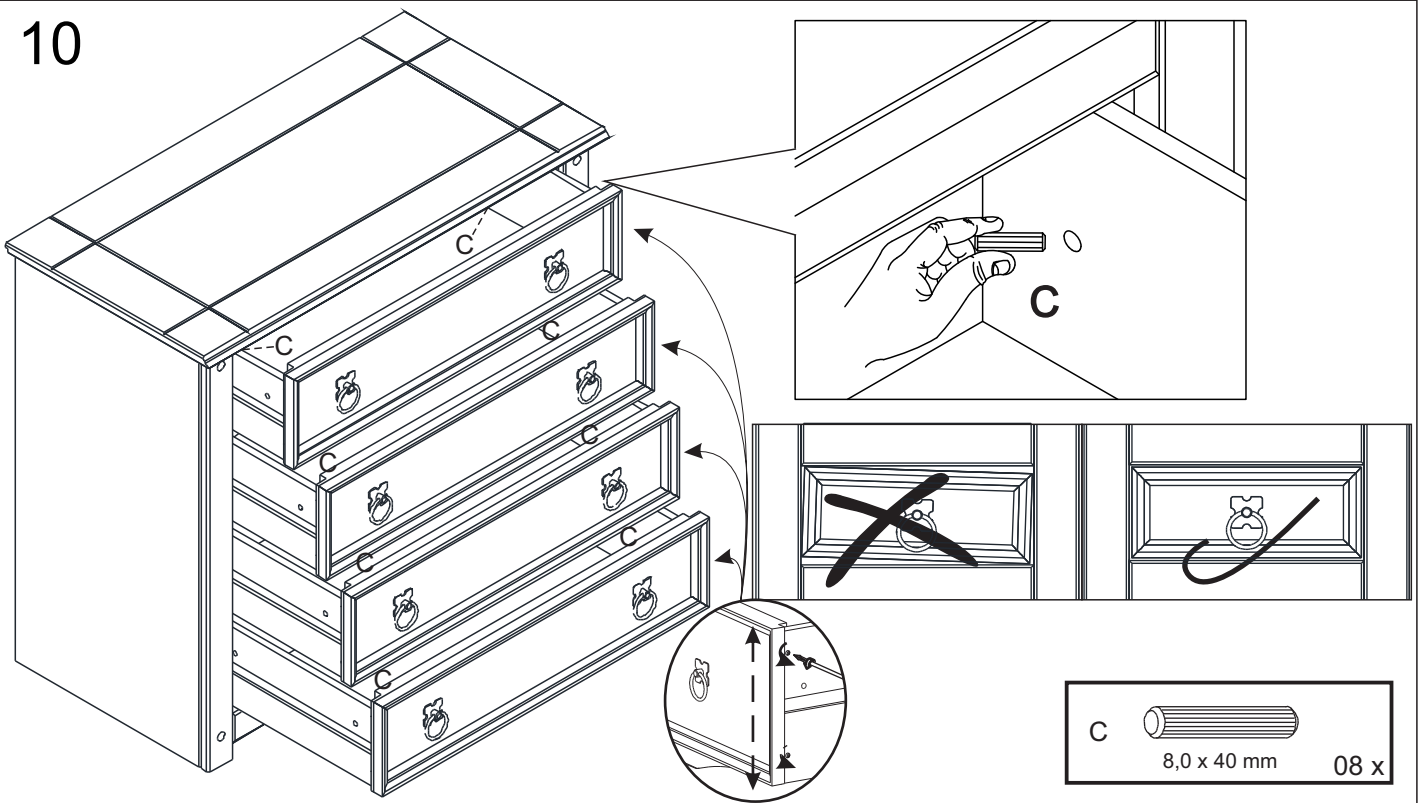
08



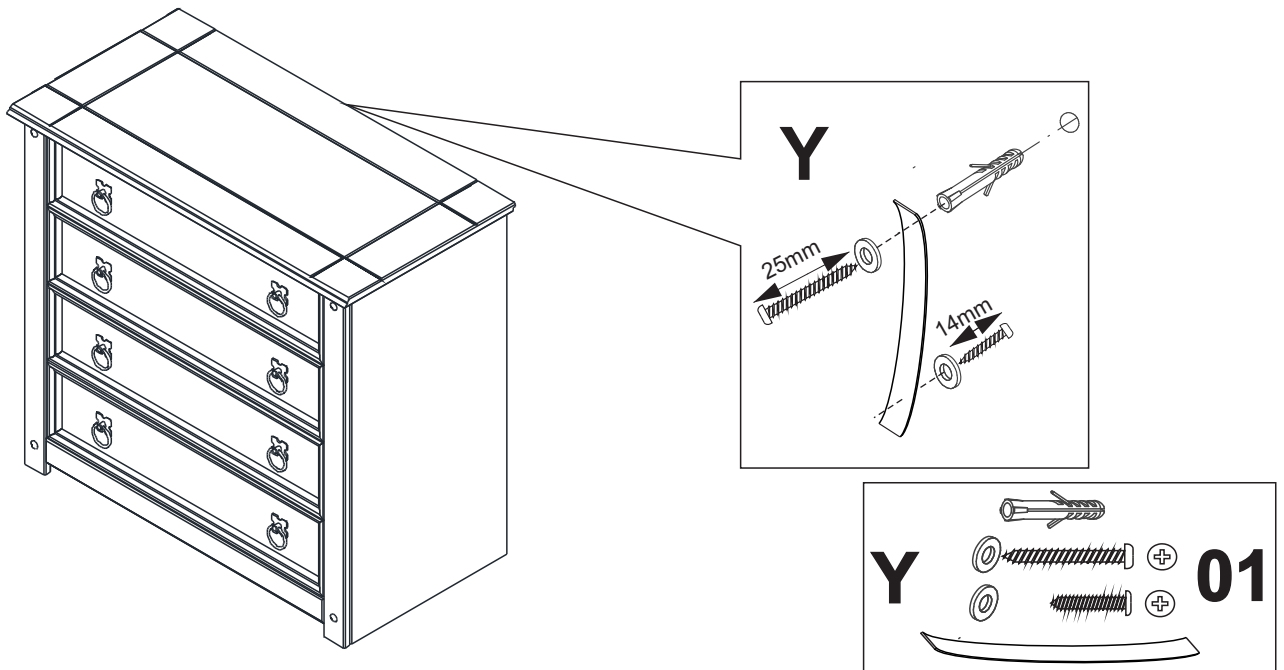
09



10



11



WARNING: CHECK FOR HIDDEN PIPES AND CABLES BEFORE DRILLING.

IMPORTANT: IF YOUR WALLS ARE NOT SOLID LIKE BRICK OR STONE, IT WILL REQUIRE SPECIAL FITTINGS (NOT SUPPLIED).

- Place the fixing strip against the wall and mark the position for drilling hole.
- Drill a hole in the wall to a depth of 30mm by using a 6mm drill bit. If the surface of your wall is soft and crumbly, we would advise you to use a 5mm drill bit for a tighter fit.
- Insert the wall plug into the hole with end flush to the wall surface.
- Attach fixing strip to the wall using the 25mm screw + washer and securely tighten.
- Pre-drill small pilot hole on the back edge of the furniture top using a 2mm drill bit. Attach the other end fixing strip to the back edge of the furniture top using the 14mm screw + washer and securely tighten.