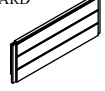
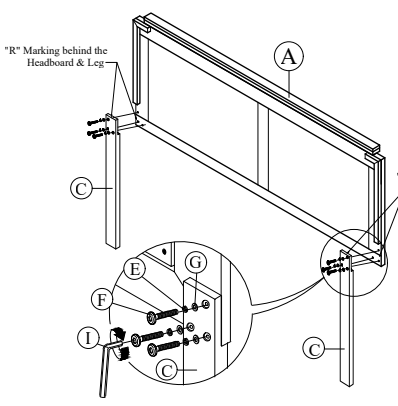
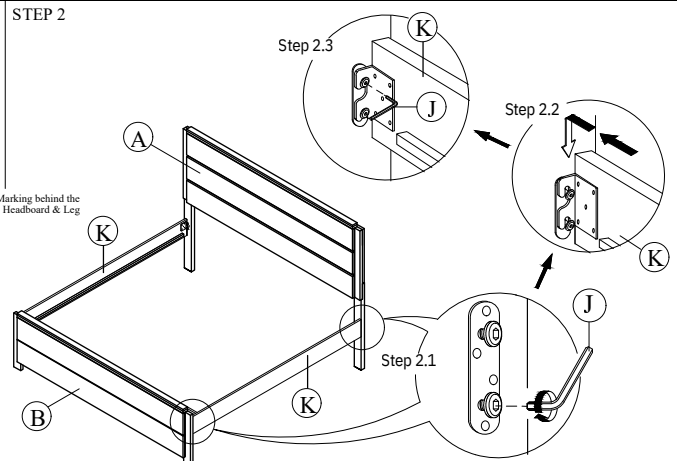
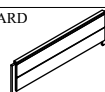
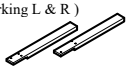
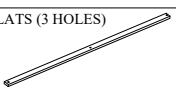
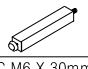
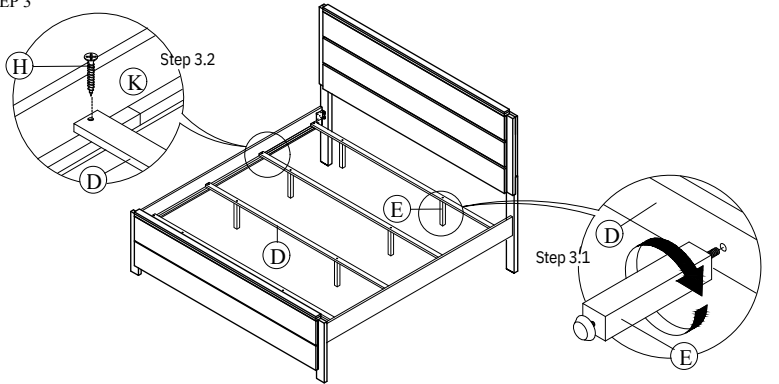



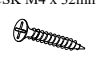


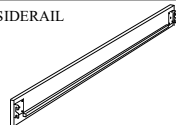

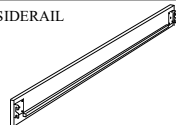

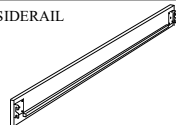


## ASSEMBLY INSTRUCTION ITEM NO. B187K - KING SIZE BED

NO	PART & HARDWARE LIST IN HEADBOARD	QTY.	STEP 1	STEP 2									
A	HEADBOARD 	1PC											
B	FOOTBOARD 	1PC											
C	LEG (Marking L & R) 	2PCS											
D	SLATS (3 HOLES) 	4PCS											
E	BED SLAT SUPPORT 	8PCS											
F	JCBC M6 X 30mm 	6PCS											
E	SPRING WASHER $\varnothing_{1.5}^{\text{H}}$ 	6PCS											
G	FLAT WASHER $\varnothing_{1.5}^{\text{H}}$ x 13mm 	6PCS											
H	CSK M4 x 32mm 	8PCS											
I	L KEY M4 	1PC											
			<table border="1" style="width: 100%; border-collapse: collapse;"> <thead> <tr> <th style="width: 5%;">NO</th> <th style="width: 75%;">PARTLIST IN SIDERAIL</th> <th style="width: 15%;">QTY.</th> </tr> </thead> <tbody> <tr> <td>J</td> <td>L KEY M5 </td> <td>1PC</td> </tr> <tr> <td>K</td> <td>SIDERAIL </td> <td>2PCS</td> </tr> </tbody> </table>	NO	PARTLIST IN SIDERAIL	QTY.	J	L KEY M5 	1PC	K	SIDERAIL 	2PCS	
NO	PARTLIST IN SIDERAIL	QTY.											
J	L KEY M5 	1PC											
K	SIDERAIL 	2PCS											