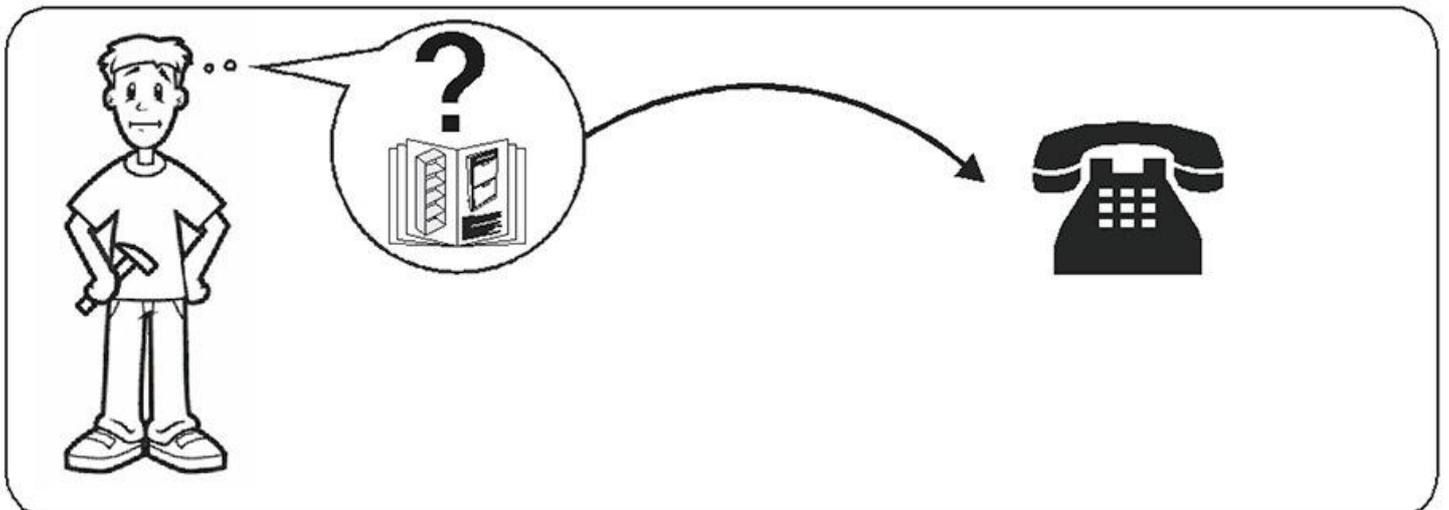
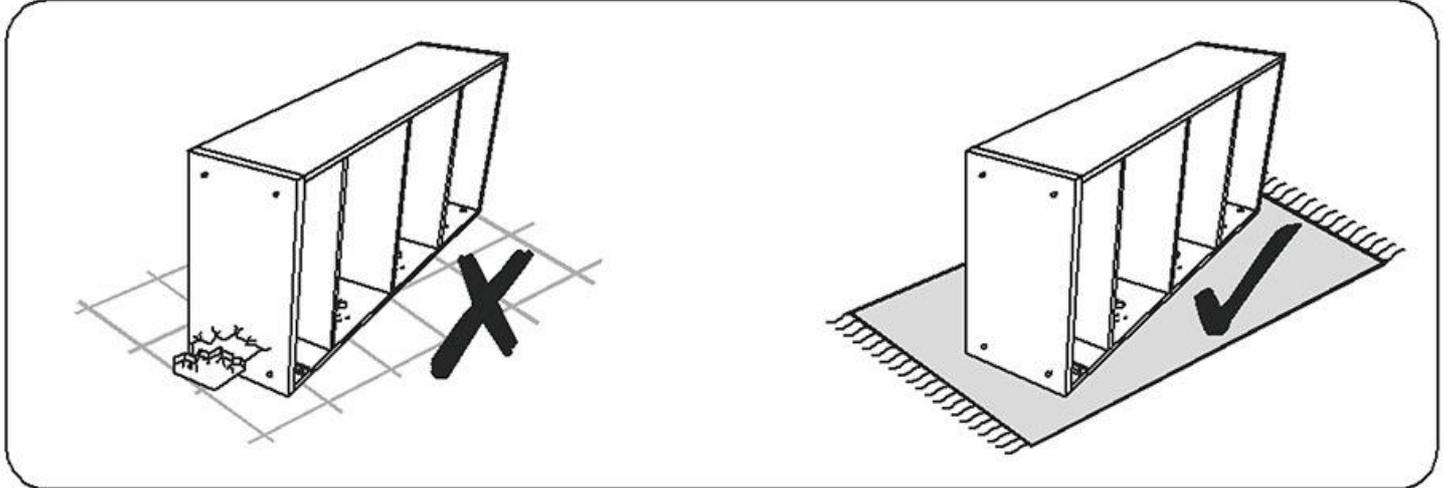
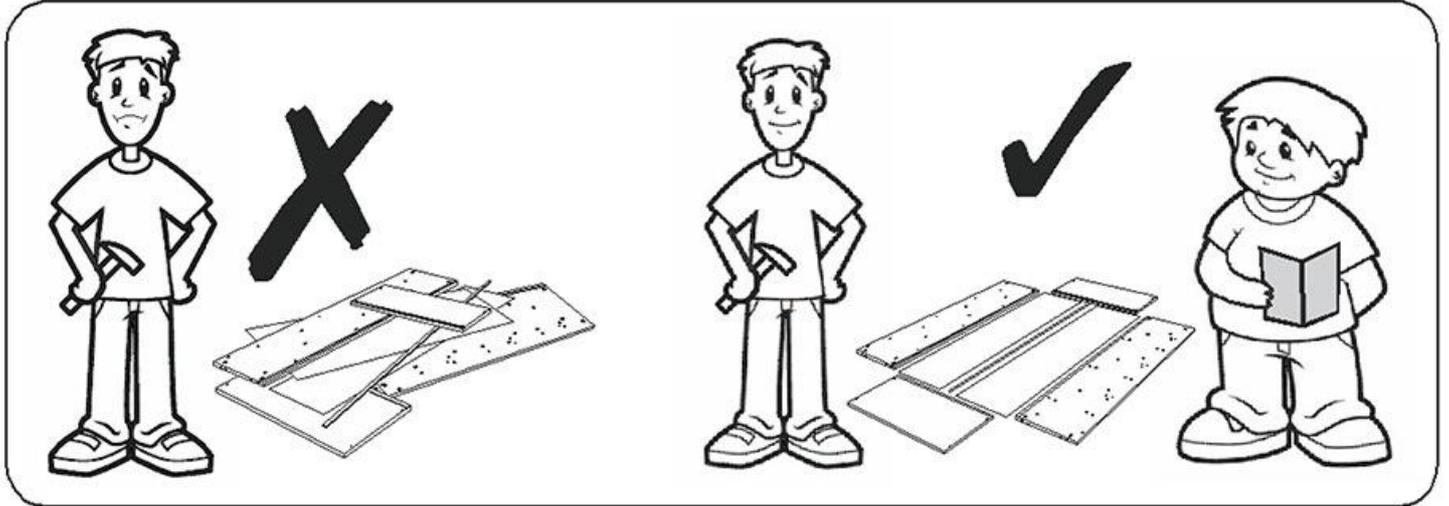
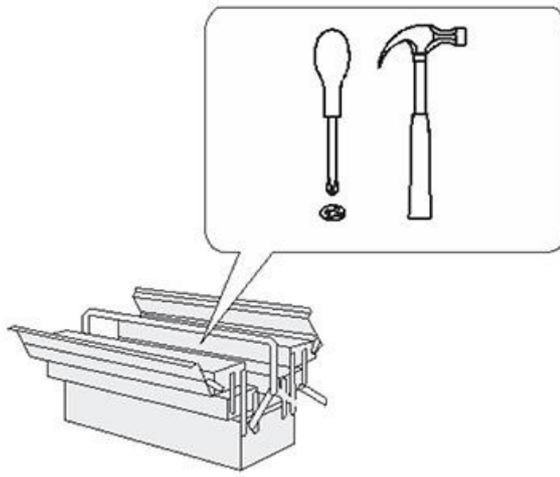
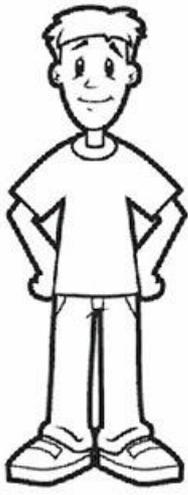


**IMPORTANT - READ CAREFULLY - RETAIN
FOR FUTURE REFERENCE**

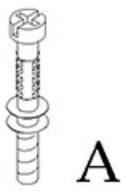
Chest Drawers

Assembly Instructions





HARDWARE



A

24x



B

24x



C

54x



D

20x



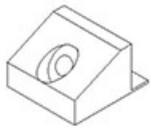
E

6x



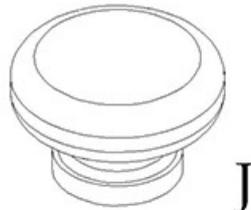
F

50x



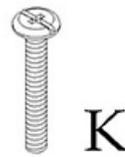
H

6x



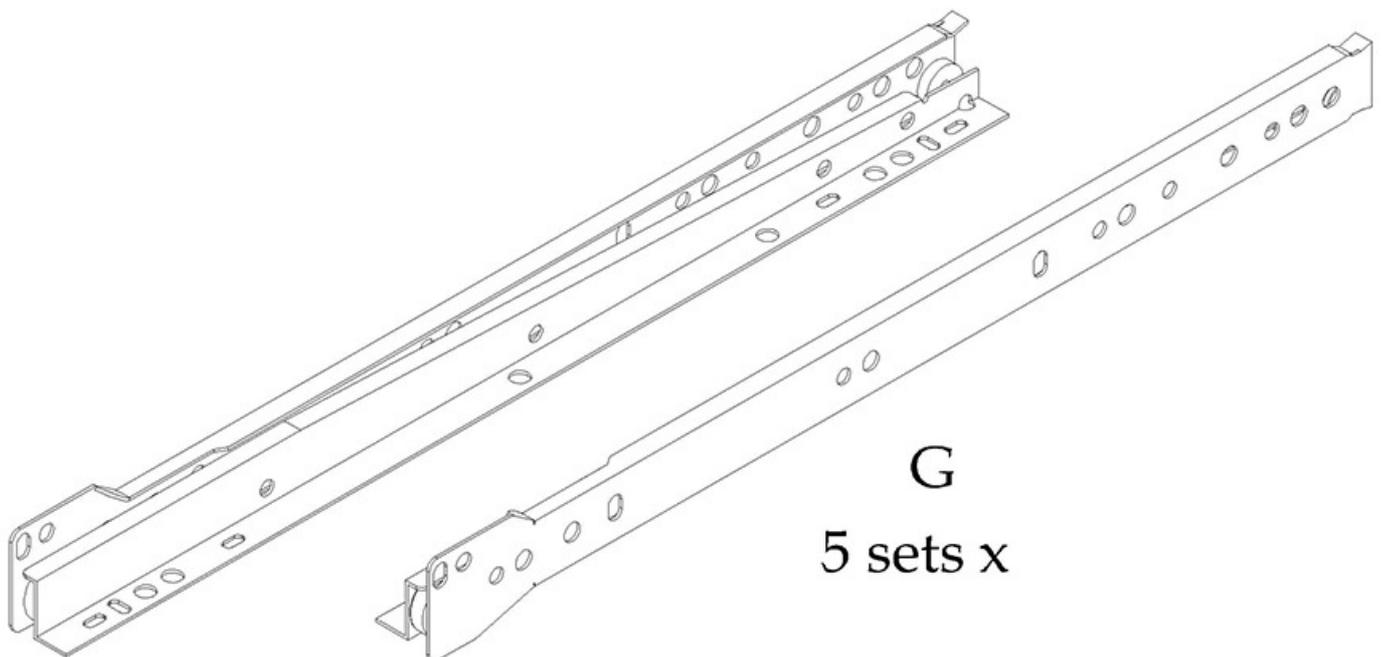
J

5x



K

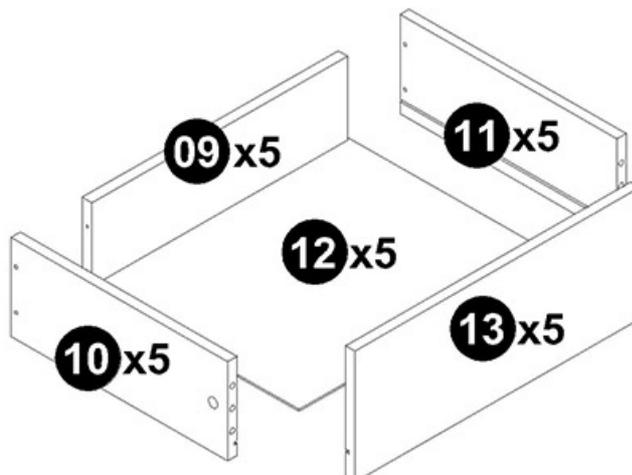
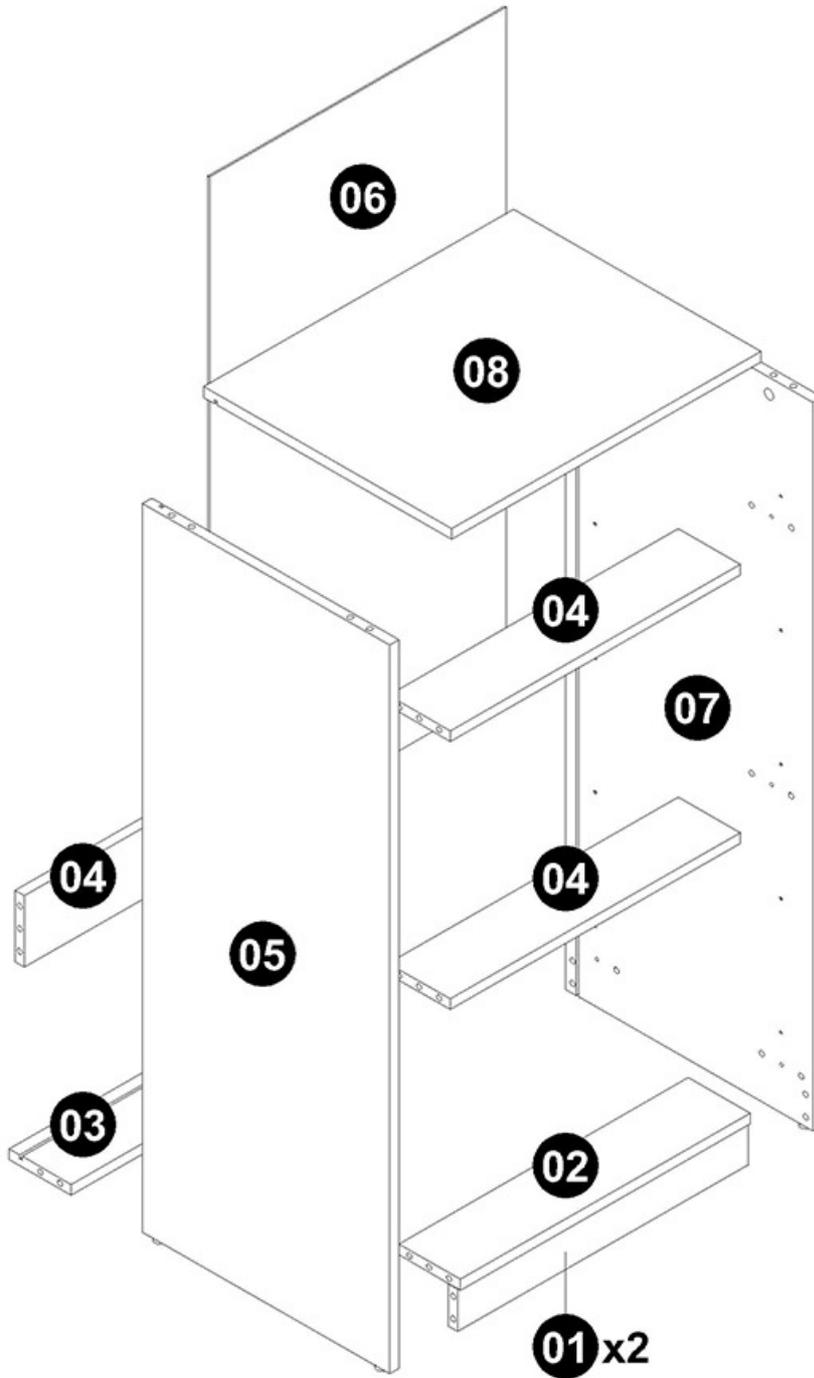
5x



G

5 sets x

PARTS



Safety Advice

Please take the time to carefully read through the whole of these instructions before you commence.

Keep these instructions for future reference.

Unpack, inspect and check off all of the contents.

Please dispose of all packaging safely.

Small component parts could choke a child if swallowed.

We strongly recommend that you keep children well away from the work area.

It would be sensible to lay a sheet or blanket on the floor where you intend to work to avoid scratching this product and to protect your floor.

This product is heavy. Take extreme care when lifting to avoid personal injury or damage to the product.

Assemble the product as close to its intended final position in the room as possible.

Please check the contents of the boxes before attempting to assemble this product.

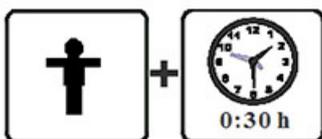
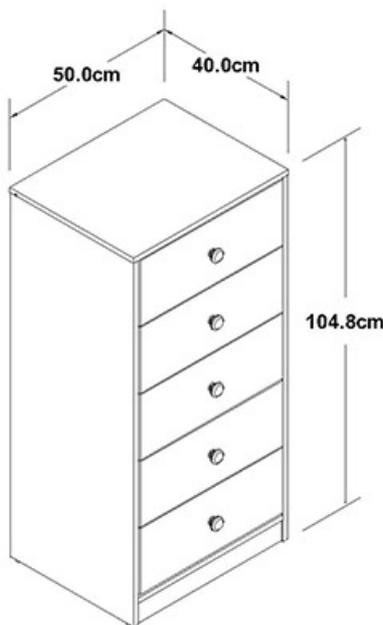
A full checklist of parts and fittings is given in pages 3 and 4 of this instruction leaflet.

HANDY HINT: If you keep the hardware in a bowl during assembly you will less likely to lose them.

Important Information

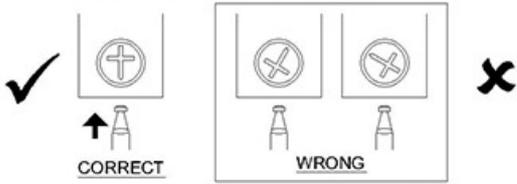
Tighten firmly all the fittings when the assembly is complete.

It is not safe to use this product if any part of the structure is missing or broken.

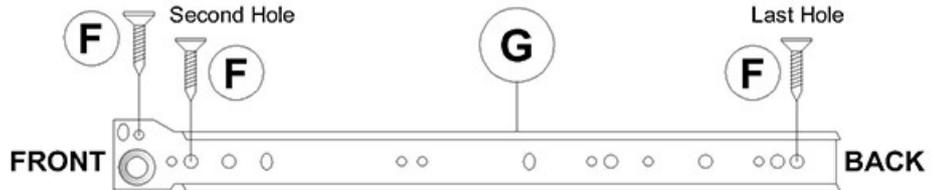


WHEN FITTING CAMS

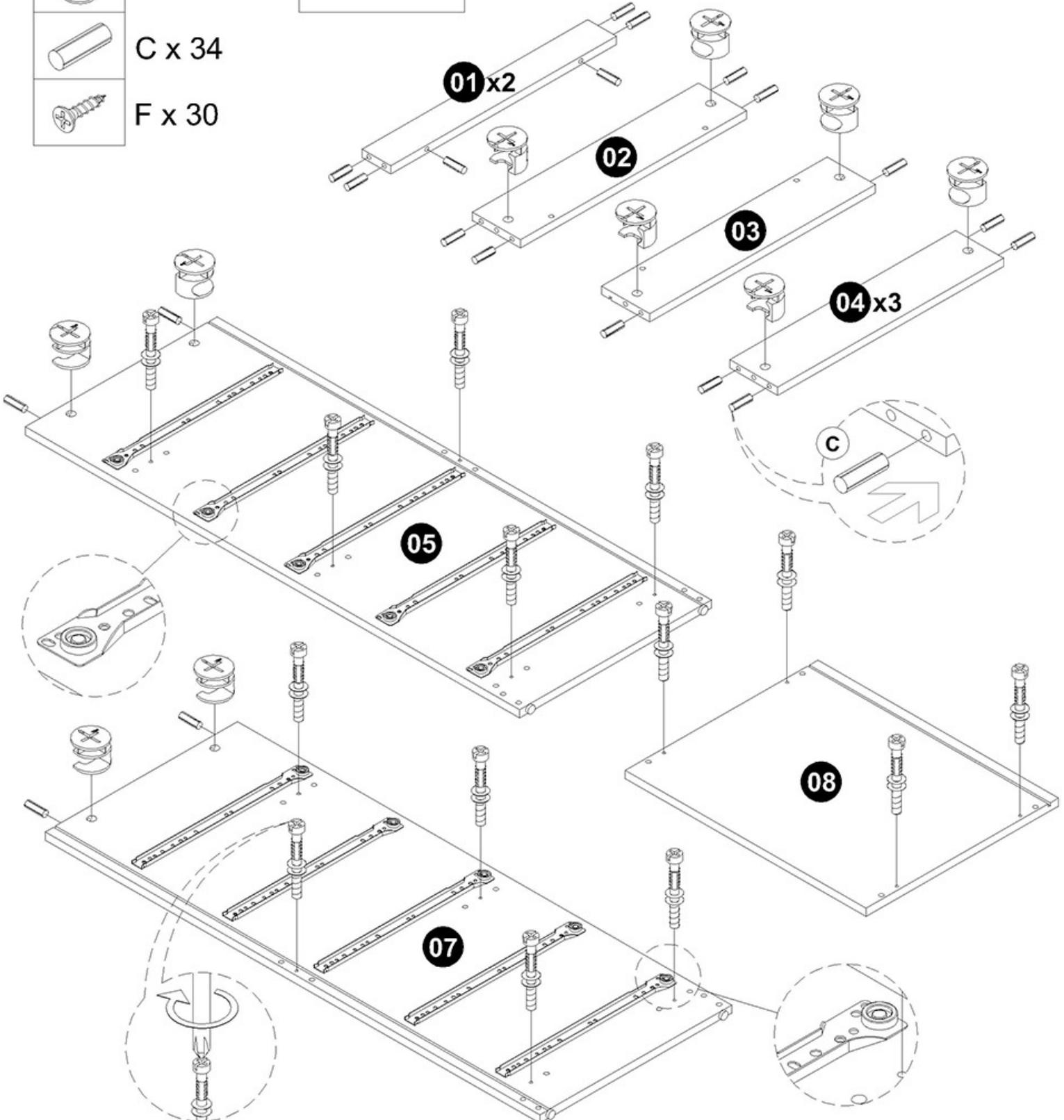
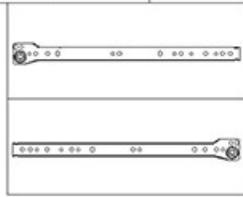
ENSURE STARTING POSITION IS CORRECT
BEFORE YOU INSERT CONNECTING BOLT
TURN CLOCKWISE UNTIL SECURE



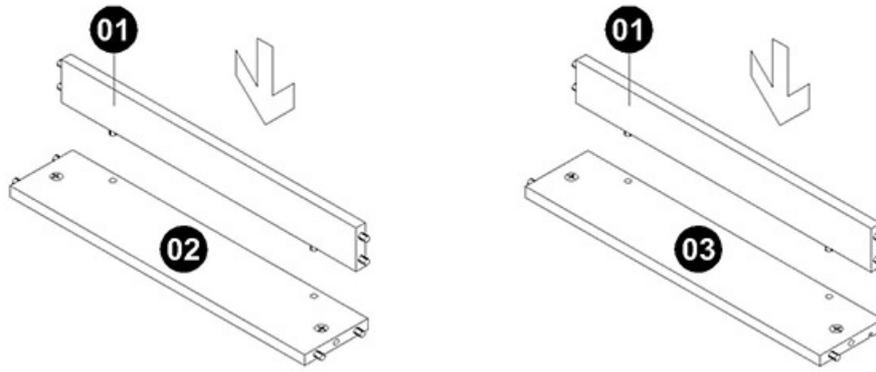
To Assembly the Drawer Slide, Please Follow Step as Below



- 1  A x 14
-  B x 14
-  C x 34
-  F x 30

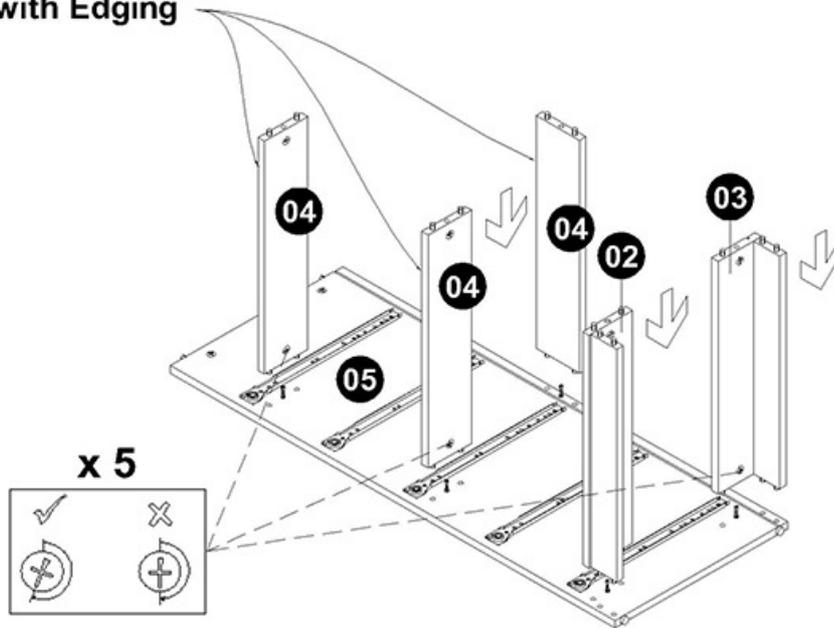


2

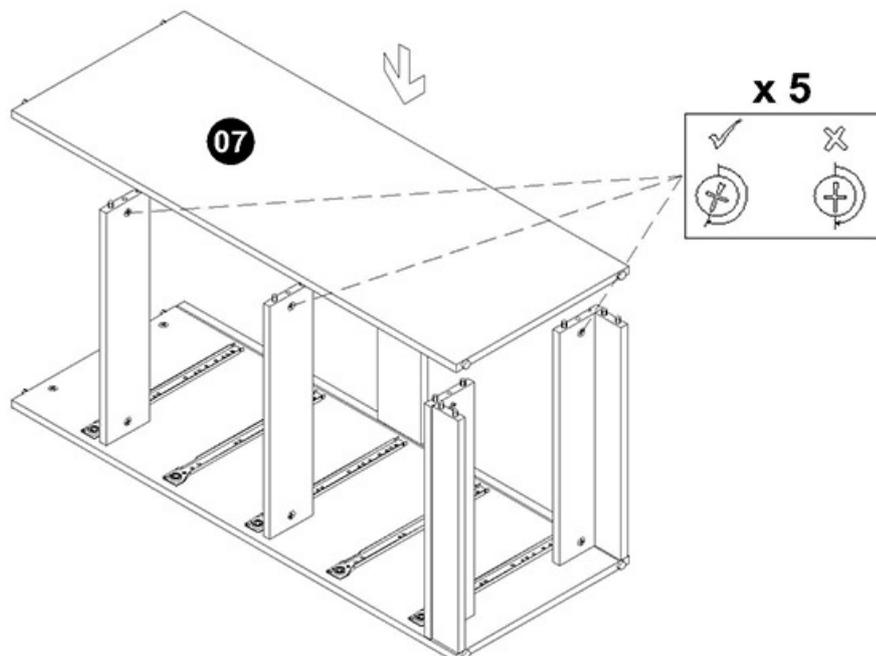


3

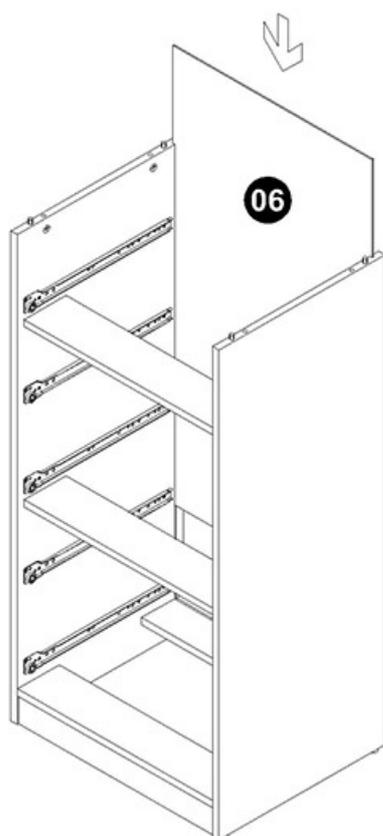
with Edging



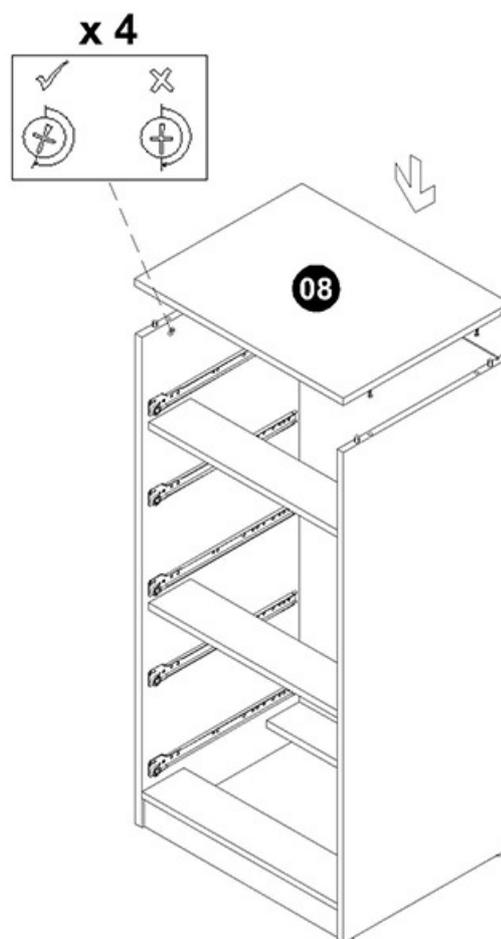
4



5



6



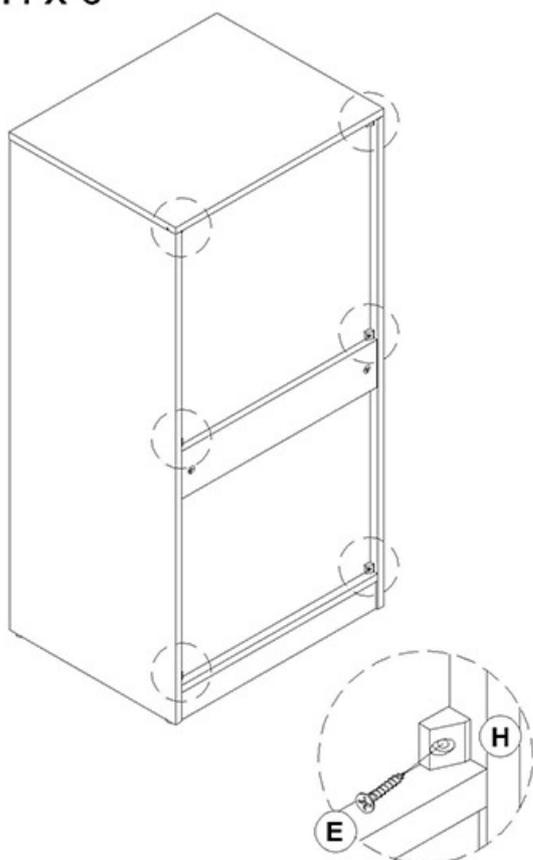
7



E x 6



H x 6



8



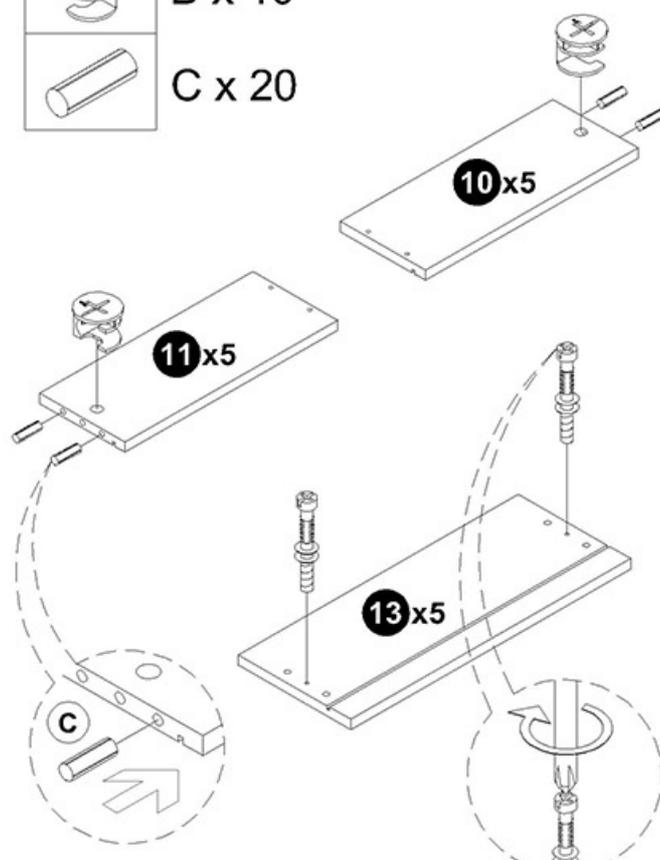
A x 10



B x 10



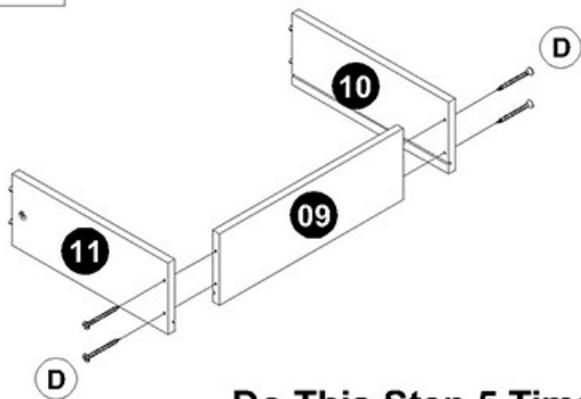
C x 20



9

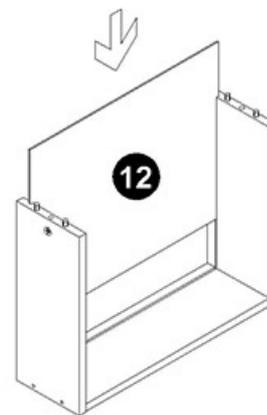


D x 20



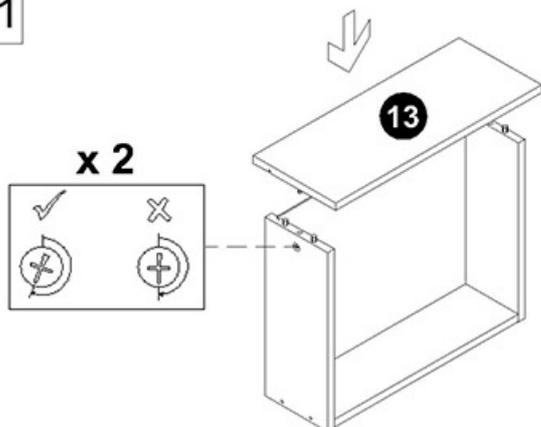
Do This Step 5 Times

10



Do This Step 5 Times

11



Do This Step 5 Times

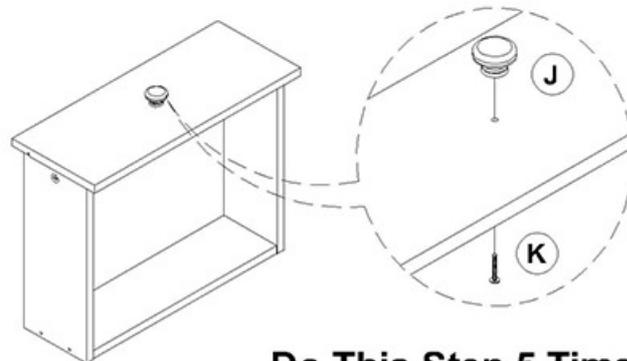
12



J x 5



K x 5



Do This Step 5 Times

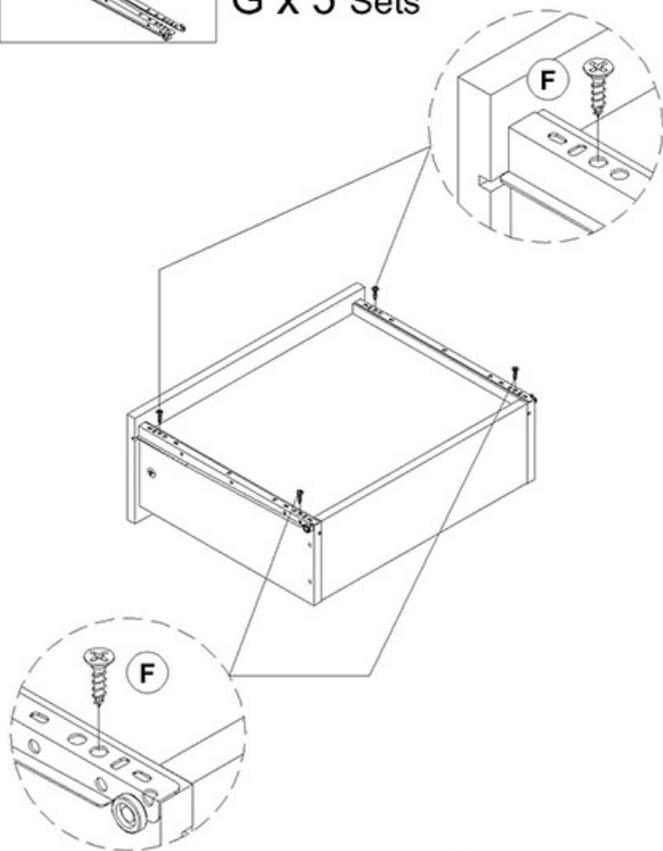
13



F x 20



G x 5 Sets



Do This Step 5 Times

14



General Care

Wipe clean with a slightly damp soft cloth.

Avoid the use of all household cleaners and abrasives.

When moving your furniture, carefully lift into place. Never drag or push the pieces across the floor as this will cause damage to the joints and could result in failure to the product that will invalidate the warranty.

Recommendations

Periodical re-tightening of fixings.

Warning

This unit is heavy. Please use an assistant when lifting.

Notes

We've tried to make this piece of furniture as easy to assemble as possible. In the unlikely event that you have problems putting it together or have damaged or missing pieces, please contact our customer services