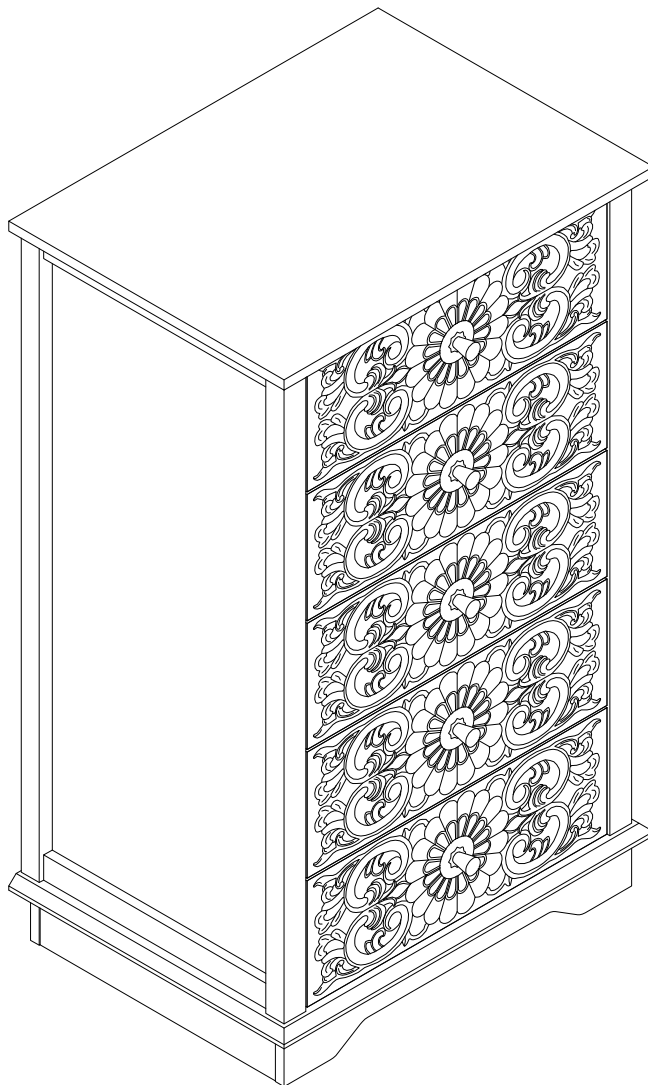


# Assembly Instructions

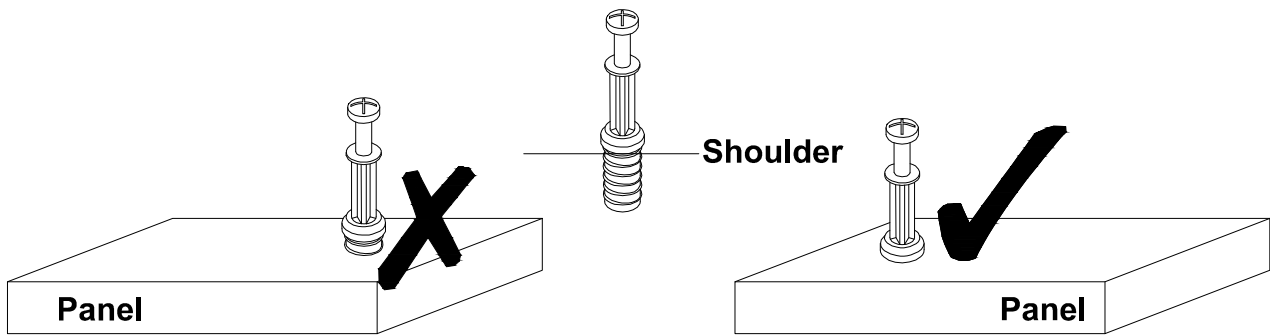


# Before Assembly

## Tips Before Your Start:

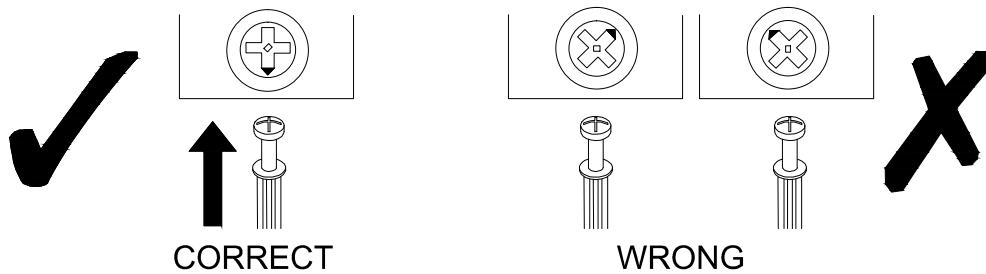
- Remove all wrapping material, including staples & packing straps before you start to assemble.
- DO NOT tighten all screws and bolts until the assembly is completely assembled.
- Keep all hardware parts out of reach of children.

## QUICKFIT



Tighten quickfit until shoulder is flush with panel. Do not overtighten or undertighten.

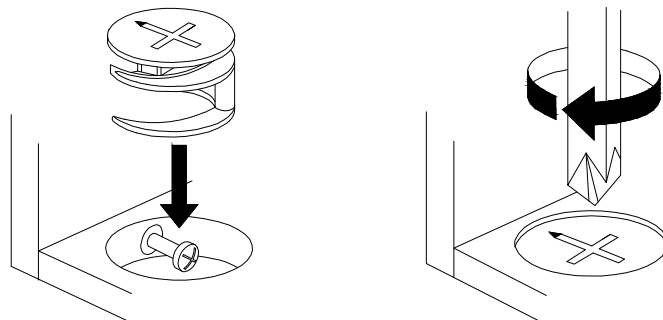
## CAM LOCK



When fitting a cam lock, ensure the starting position is correct before inserting the connecting QUI CKFIT

Quickfit head should be in the centre of the cam lock when the two panels are joined.

Cam lock should be inserted before quickfit.

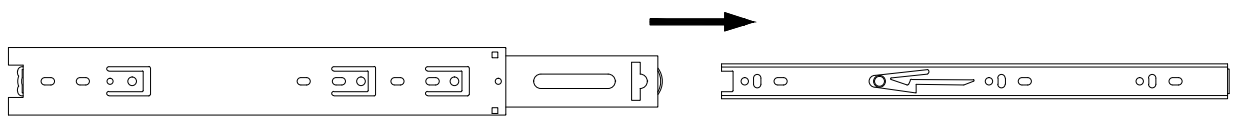
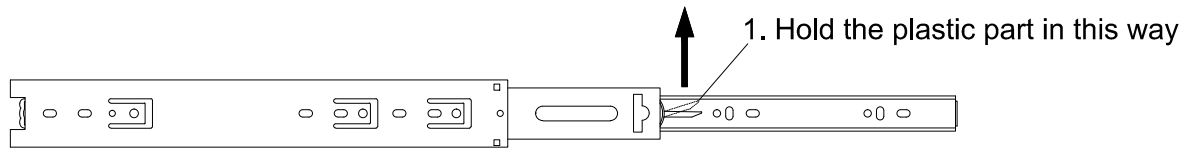


Turn cam lock clockwise to tighten.

# Before Assembly

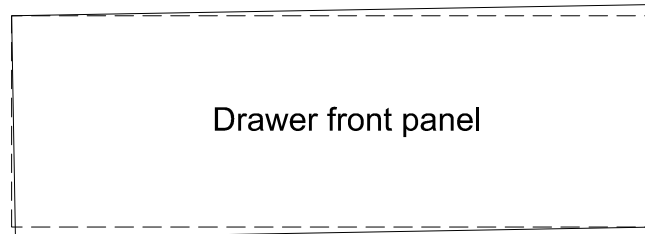
## Tips Before Your Start

How to separate the drawer slider:

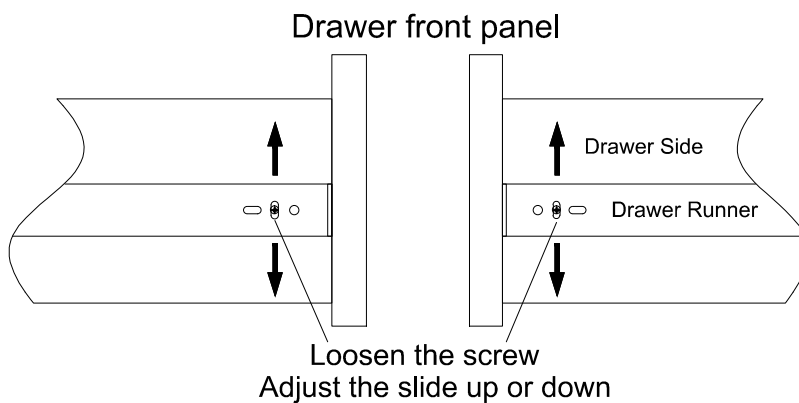


2. Pull out the inner slider for drawer box fixing

## Drawer Front Alignment




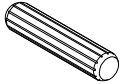
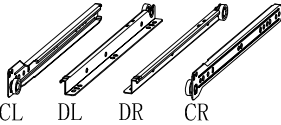
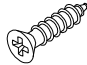
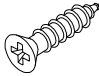
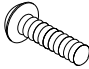

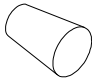

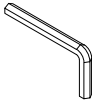
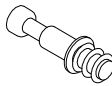
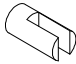
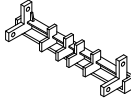
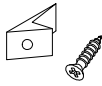
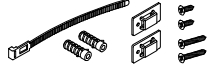



If the drawer front panel is NOT level after being assembled, then...

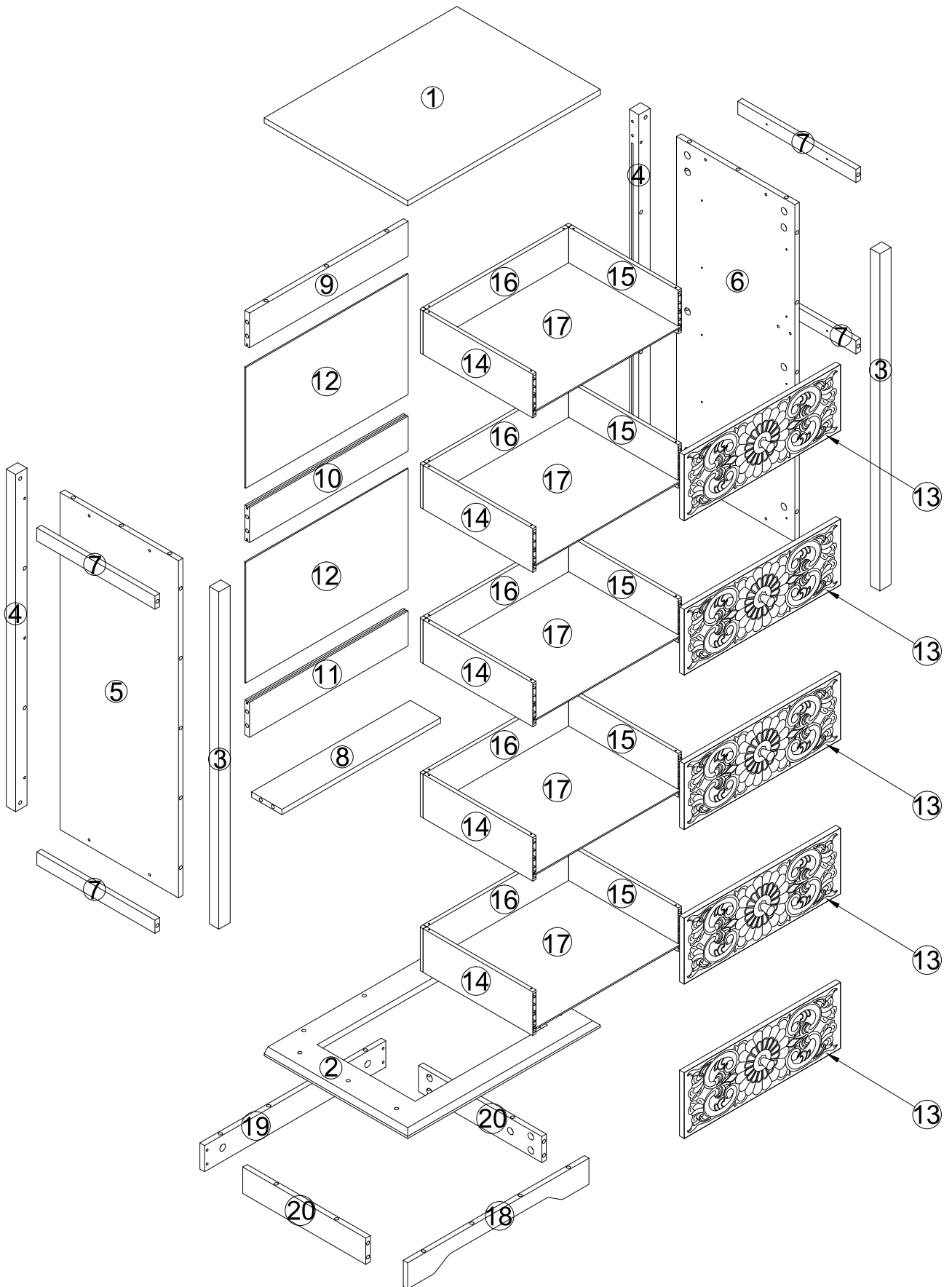


Loosen the screws on the left and right hand side, then adjust the drawer slide up or down, until the drawer fronts are even/level, then tighten the screws.

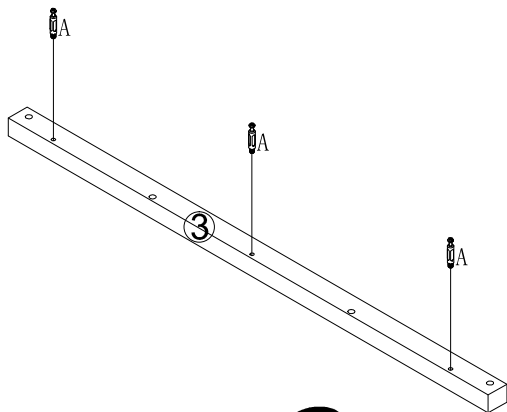
# Part List

<p><b>No. A</b> Quantity:50 Pcs Cam Lock Dowel 8*28mm</p> 	<p><b>No. B</b> Quantity:50 Pcs Cam φ15</p> 	<p><b>No. C</b> Quantity:50 Pcs Sticker Ø20</p> 	<p><b>No. D</b> Quantity:26 Pcs Dowel 8*30mm</p> 
<p><b>No. E</b> Quantity:5 Sets Ordinary bottom-dragging rail 12"</p> 	<p><b>No. F</b> Quantity:40 Pcs Screw M3.5*12mm</p> 	<p><b>No. G</b> Quantity:8 Pcs Screw M3.5*20mm</p> 	<p><b>No. H</b> Quantity:5 Pcs Screw M4*20mm</p> 
<p><b>No. I</b> Quantity:6 Pcs Foot Pad Ø15</p> 	<p><b>No. J</b> Quantity:5 Pcs Handle</p> 	<p><b>No. K</b> Quantity:6 Pcs Screw M6*40mm</p> 	<p><b>No. L</b> Quantity:1 Pcs Allen Key 4#</p> 
<p><b>No. M</b> Quantity:20 Pcs Cam Lock Dowel 8*25mm</p> 	<p><b>No. N</b> Quantity:20 Pcs Rubber particles Ø6*12mm</p> 	<p><b>No. O</b> Quantity:10 Pcs Drawer Connector</p> 	<p><b>No. P</b> Quantity:8 Sets Plastic Wedge</p> 
<p><b>No. Q</b> Quantity:1 Sets Anti-falling Parts</p> 	<p><b>No. R</b> Quantity:40 Pcs Screw M3*12mm</p> 		

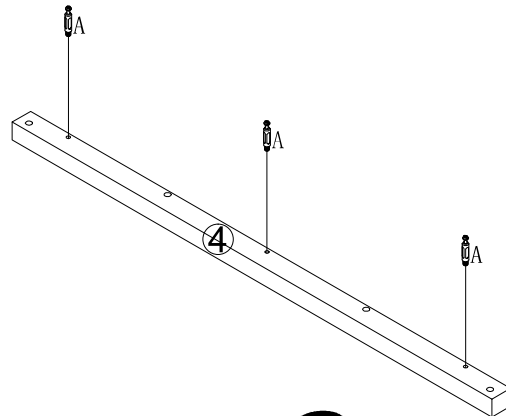
# Product structure



# STEP 1



**x2**

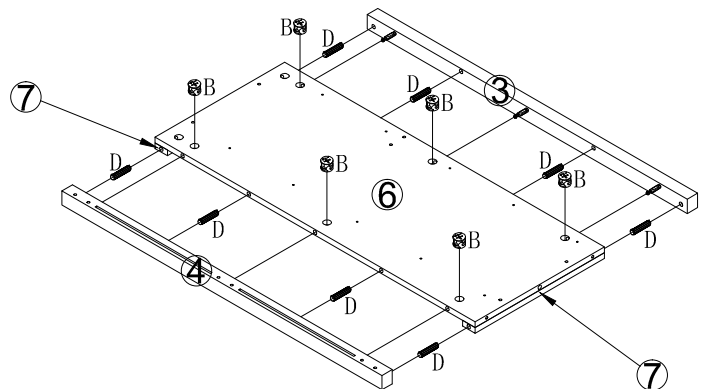
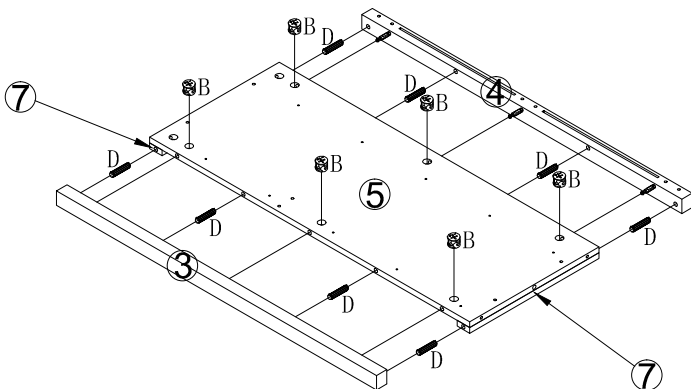


**x2**

No. A  
Quantity: 12 Pcs  
8\*28 mm



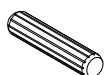
# STEP 2



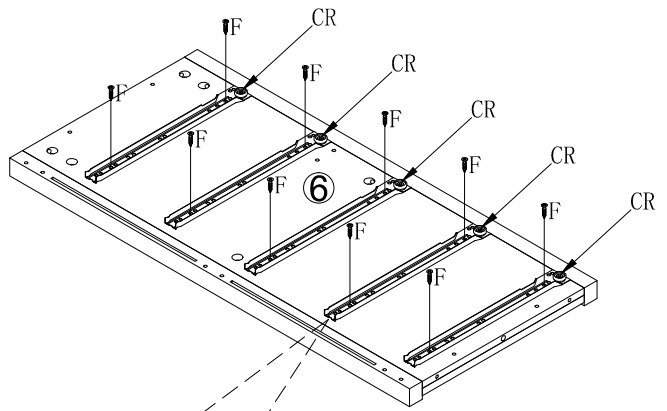
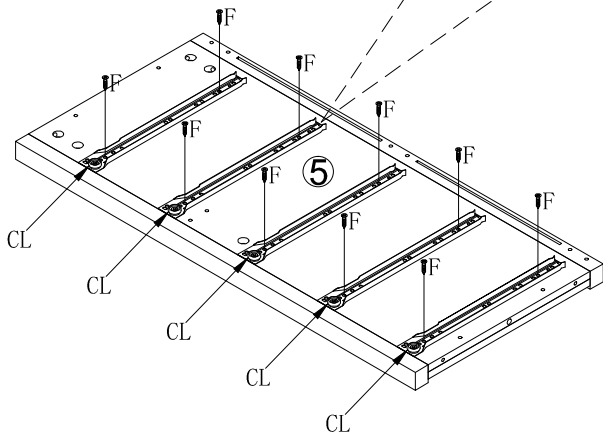
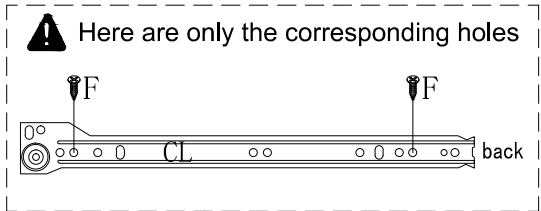
No. B  
Quantity: 12 Pcs  
Ø15



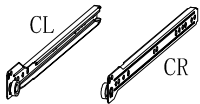
No. D  
Quantity: 16 Pcs  
8\*30mm



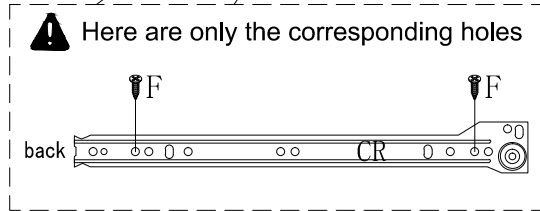
# STEP 3



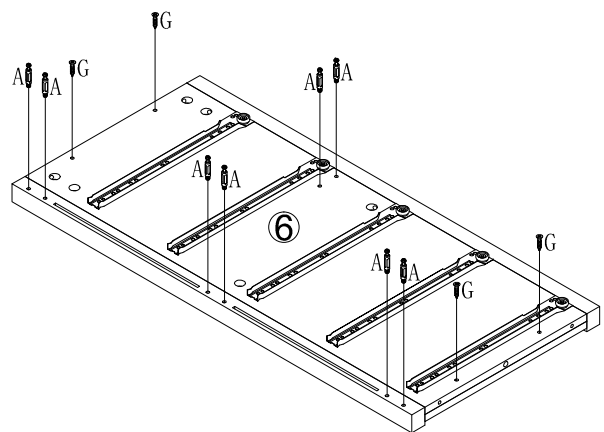
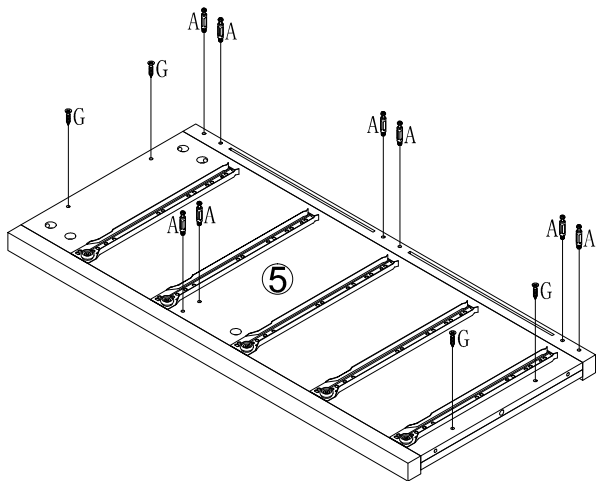
No. E  
Quantity: 5 Sets  
12"



No. F  
Quantity: 20 Pcs  
M3.5\*12mm



# STEP 4



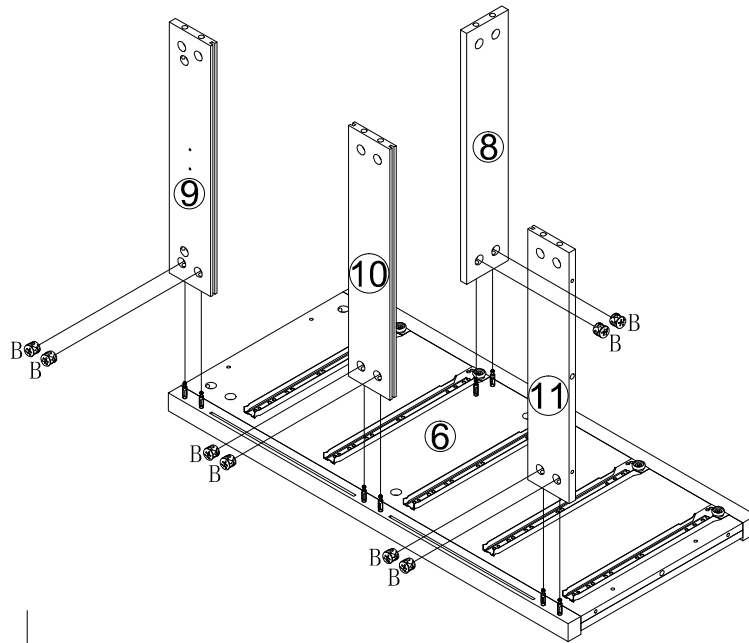
No. A  
Quantity: 16 Pcs  
8\*28 mm



No. G  
Quantity: 8 Pcs  
M3.5\*20mm



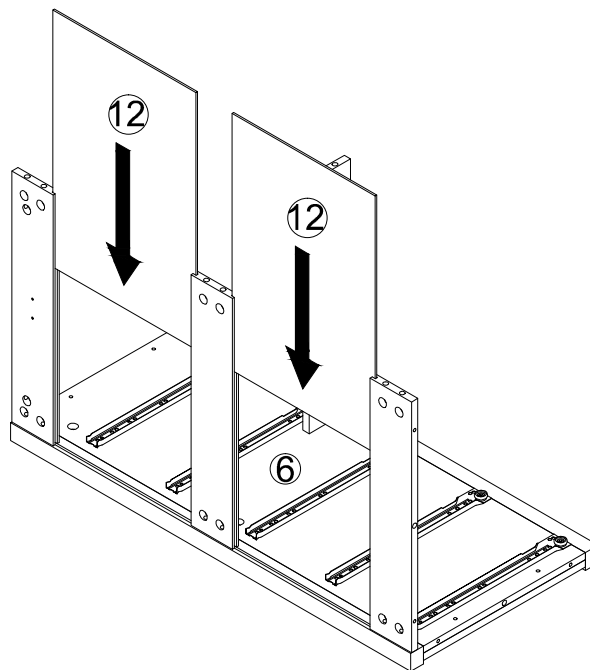
# STEP 5



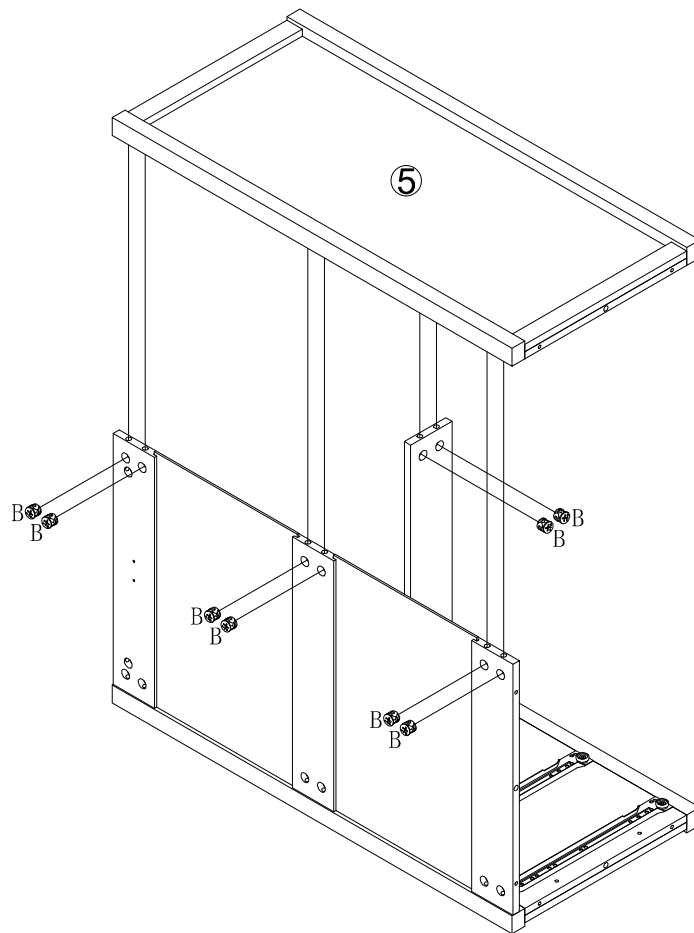
No. B  
Quantity: 8 Pcs  
Ø15



# STEP 6



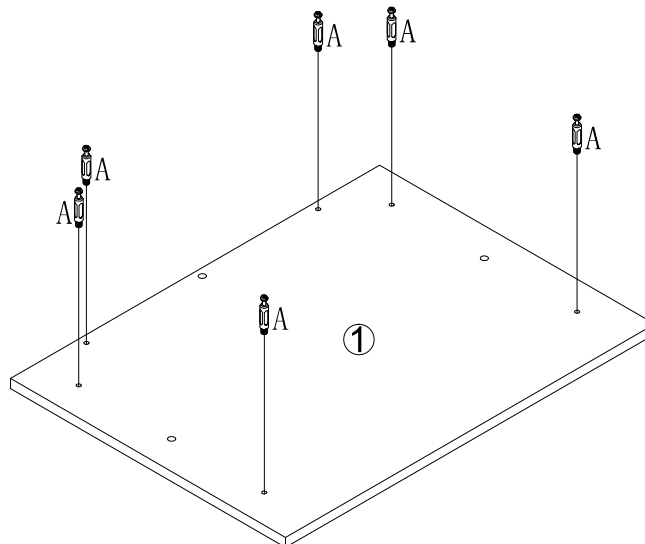
# STEP 7



No. B  
Quantity: 8 Pcs  
Ø15



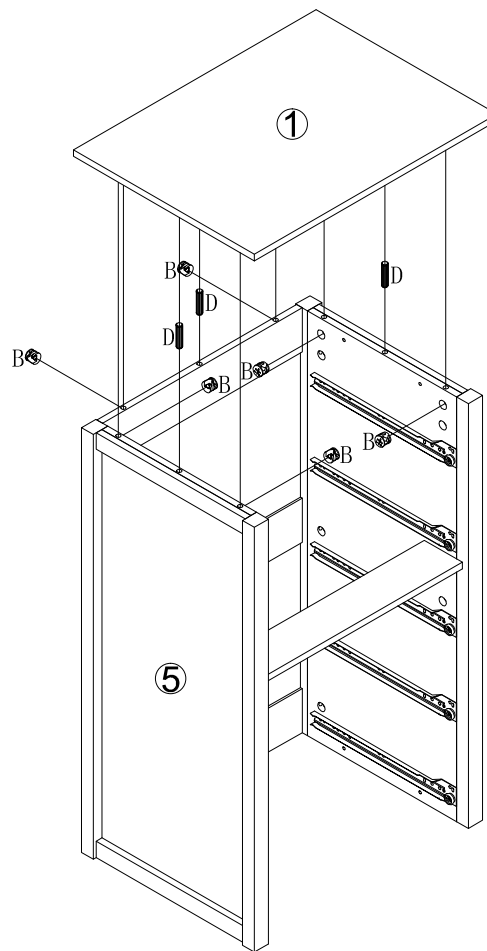
# STEP 8



No. A  
Quantity: 6 Pcs  
8\*28 mm



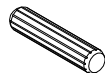
# STEP 9



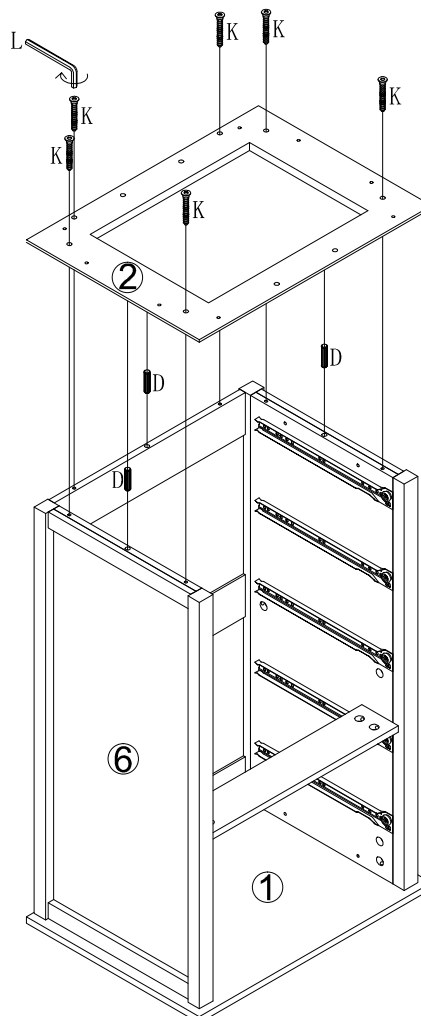
No. B  
Quantity: 6 Pcs  
Ø15



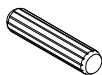
No. D  
Quantity: 3 Pcs  
8\*30mm



# STEP 10



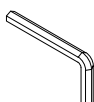
No. D  
Quantity: 3 Pcs  
8\*30mm



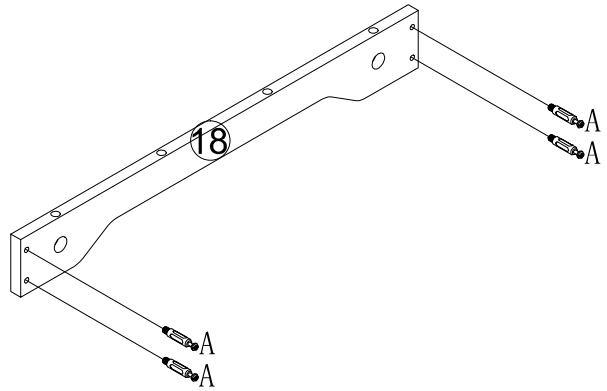
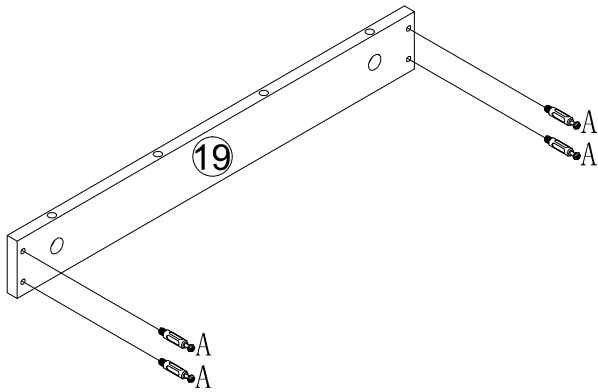
No. K  
Quantity: 6 Pcs  
M6\*40mm



No. L  
Quantity: 1 Pcs  
4#



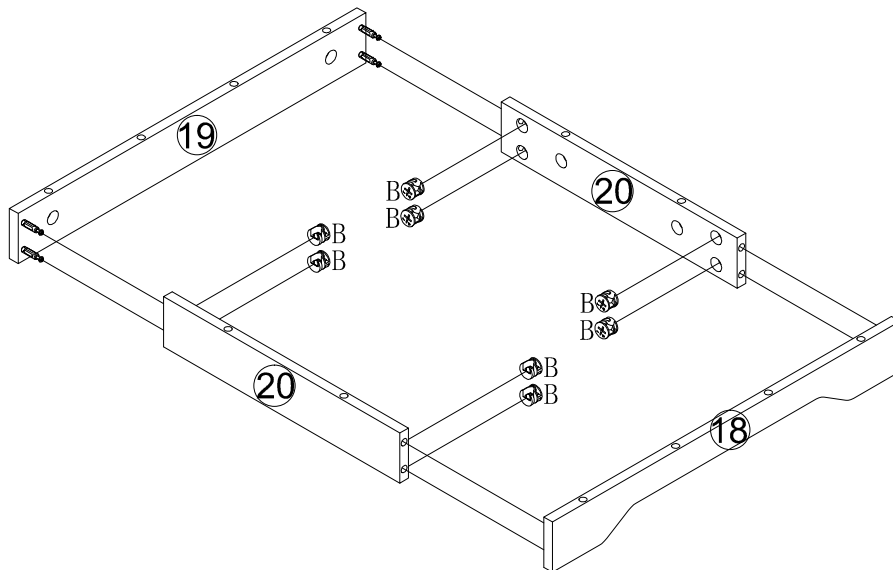
# STEP 11



No. A  
Quantity: 8 Pcs  
8\*28 mm



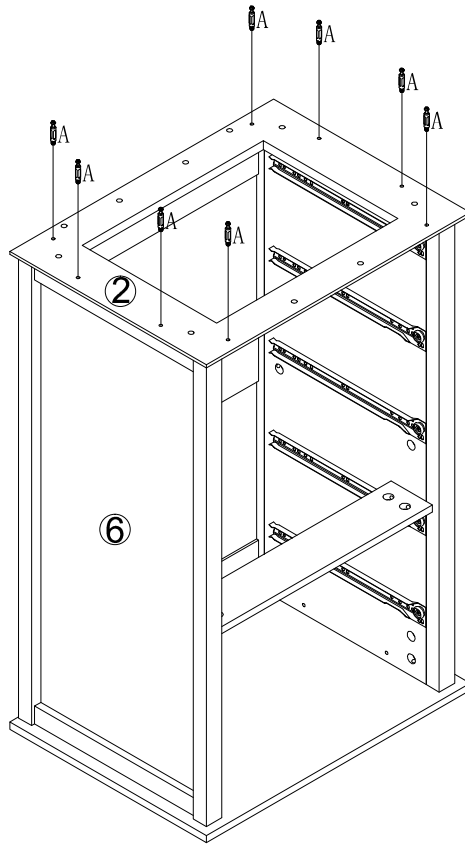
# STEP 12



No. B  
Quantity: 8 Pcs  
Ø15



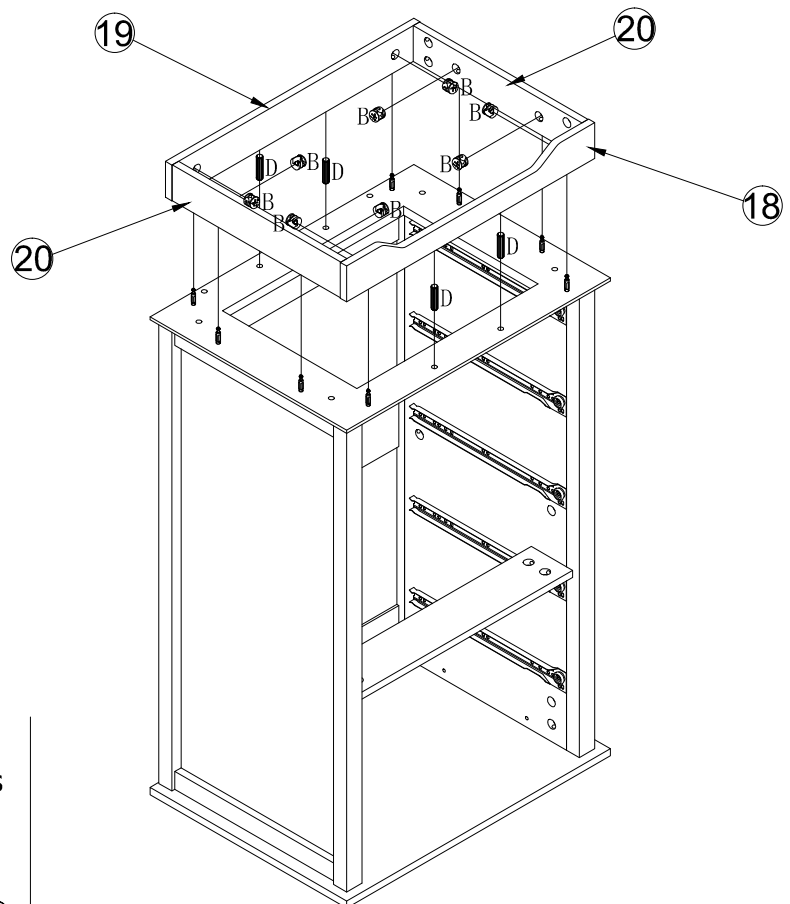
# STEP 13



No. A  
Quantity: 8 Pcs  
8\*28 mm



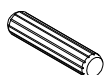
# STEP 14



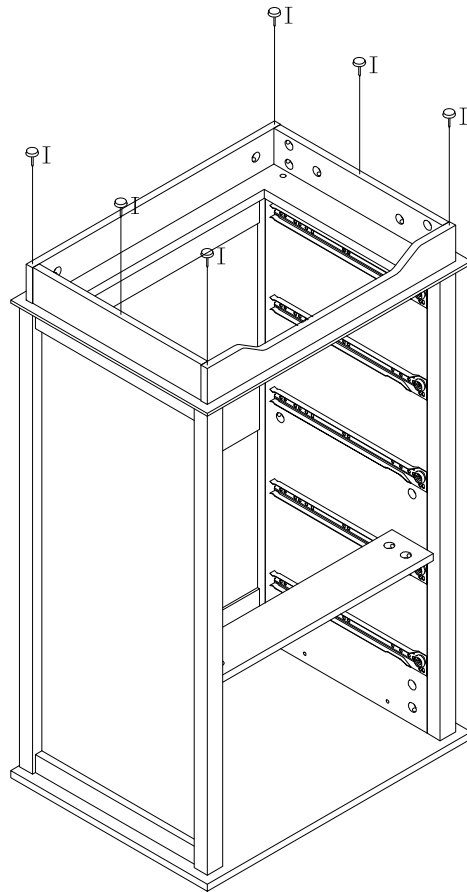
No. B  
Quantity: 8 Pcs  
Ø15



No. D  
Quantity: 4 Pcs  
8\*30mm



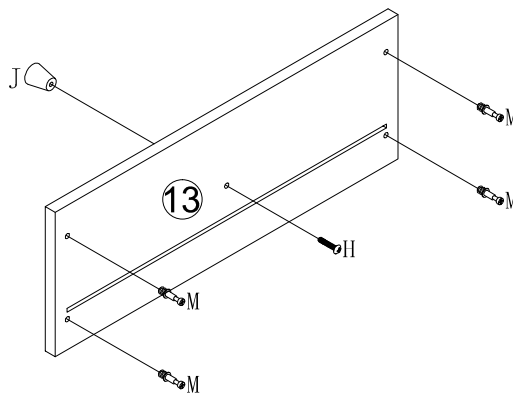
# STEP 15



No. I  
Quantity: 6 Pcs  
Ø15



# STEP 16



**×5**

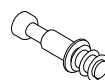
No. H  
Quantity: 5 Pcs  
M4\*20mm



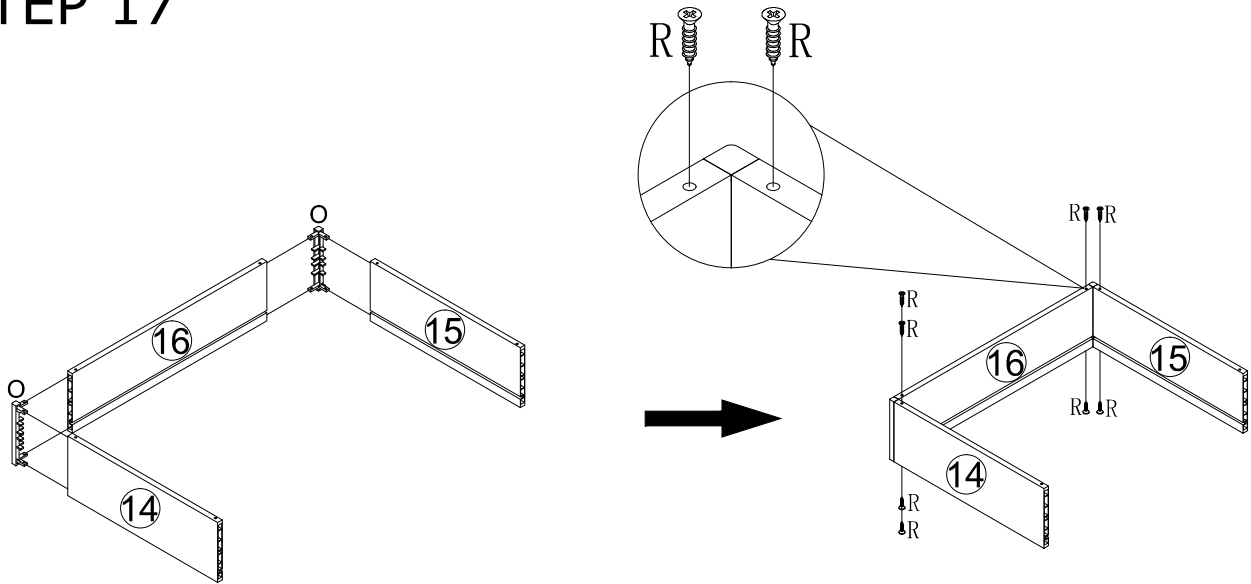
No. J  
Quantity: 5 Pcs



No. M  
Quantity: 20 Pcs  
8\*25mm



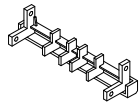
# STEP 17




No. R  
Quantity: 40 Pcs  
M3\*12mm



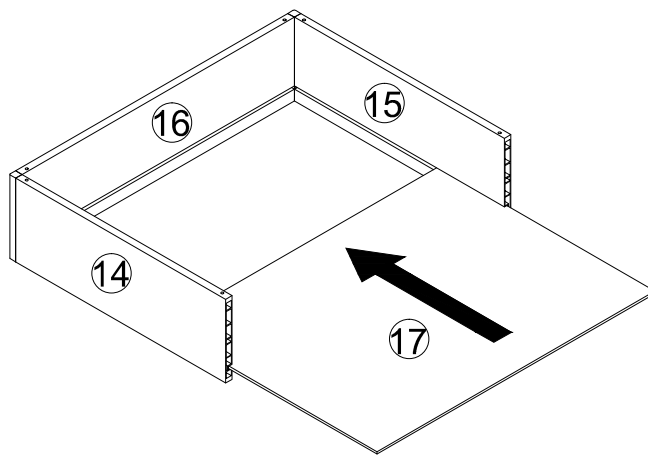
No. O  
Quantity: 10 Pcs



 Please note that both the top and bottom need to be secured with screws when connecting.

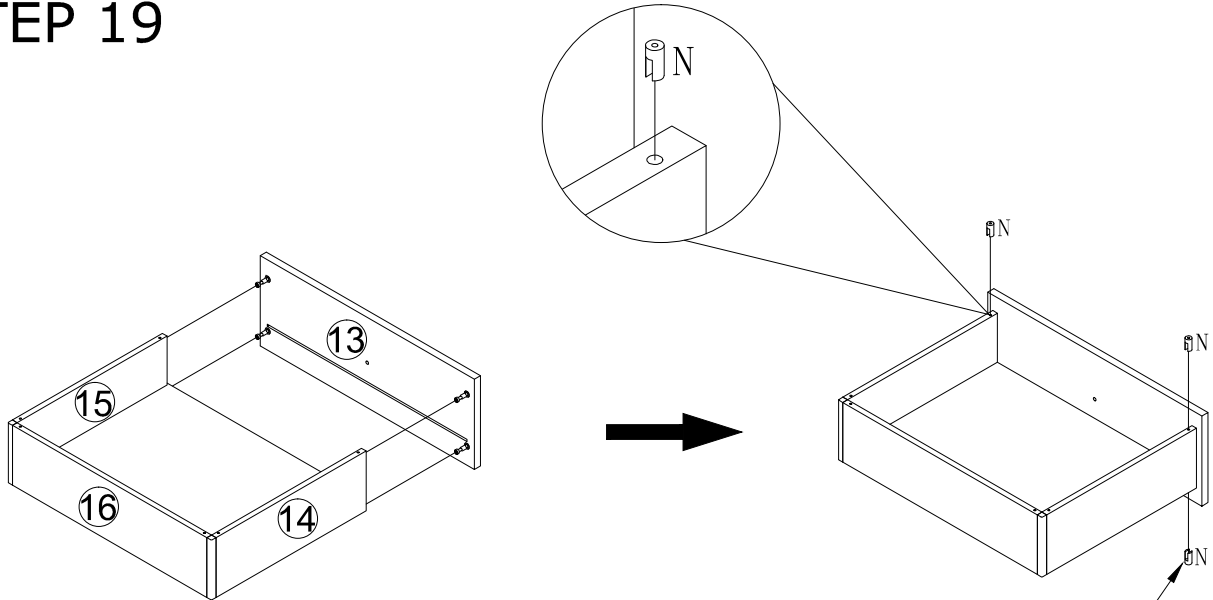
**×5**

# STEP 18



**×5**

# STEP 19



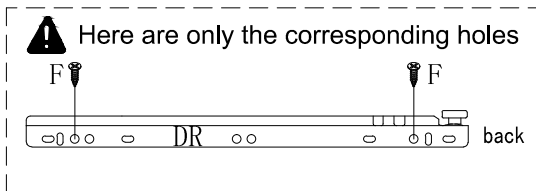
**x5**

No. N  
Quantity: 20 Pcs  
Ø6\*12mm

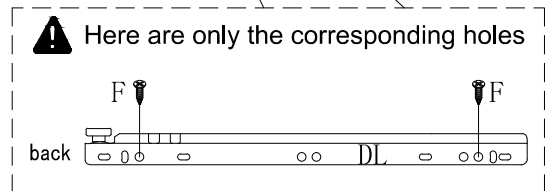
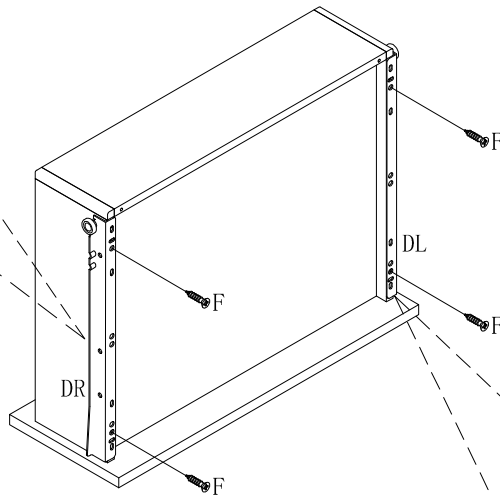


Please note that at the connection, both above and below, the glue beads need to be tapped into place.

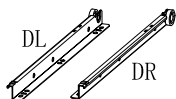
# STEP 20



**x5**



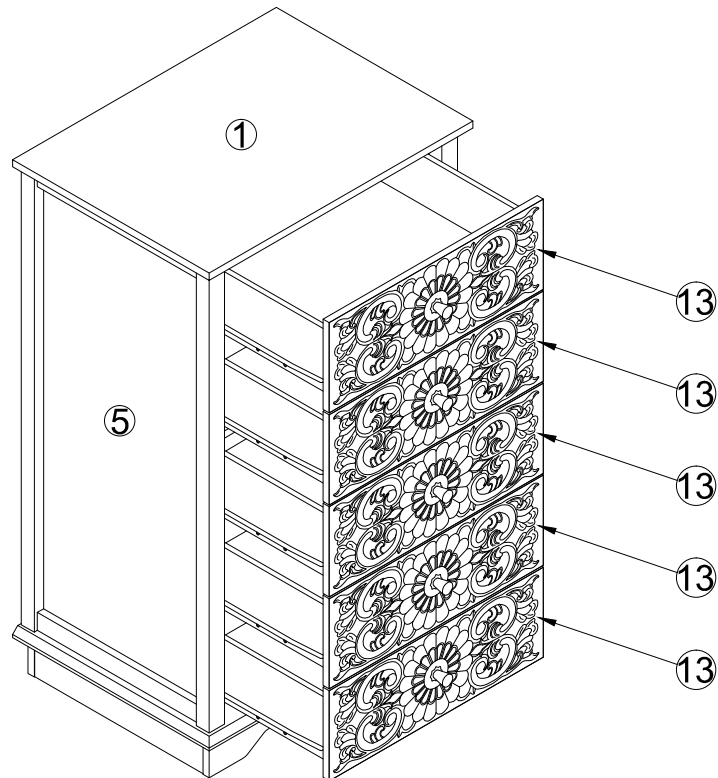
No. E  
Quantity: 5 Sets  
12"



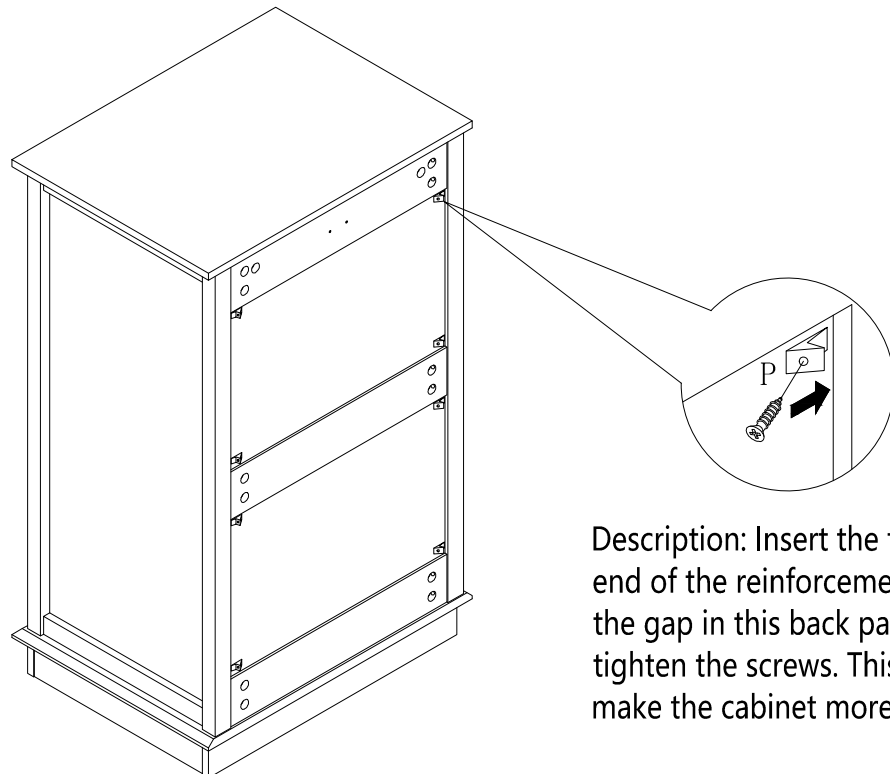
No. F  
Quantity: 20 Pcs  
M3.5\*12mm



## STEP 21

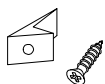


## STEP 22

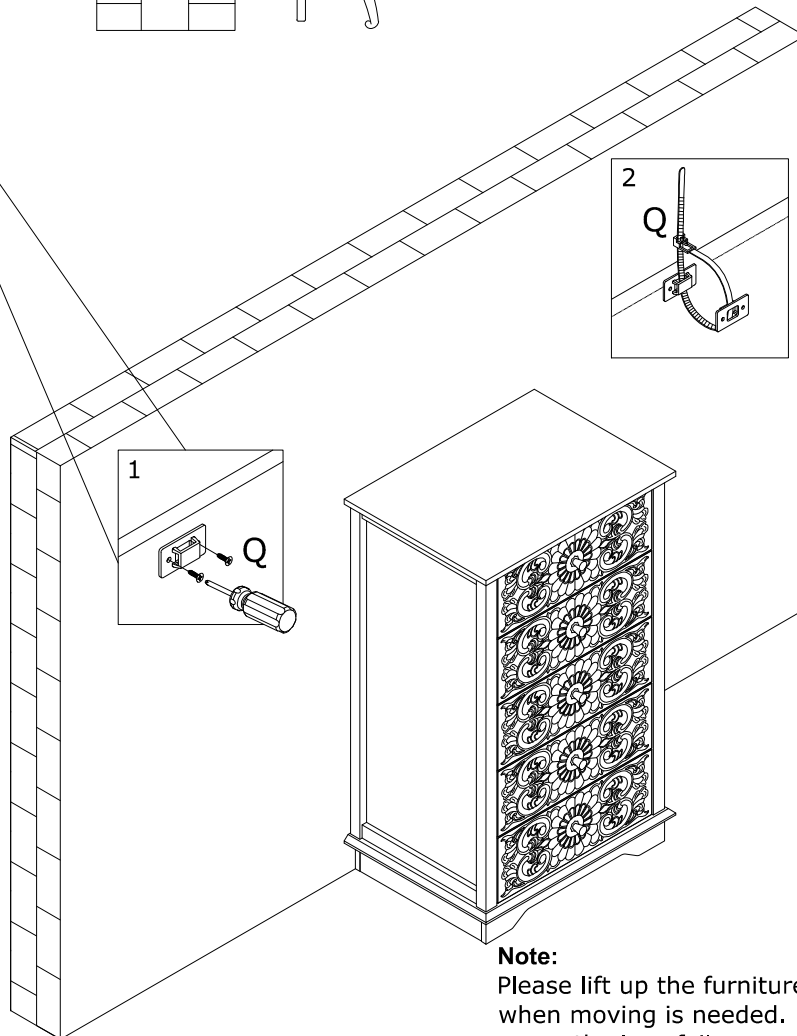
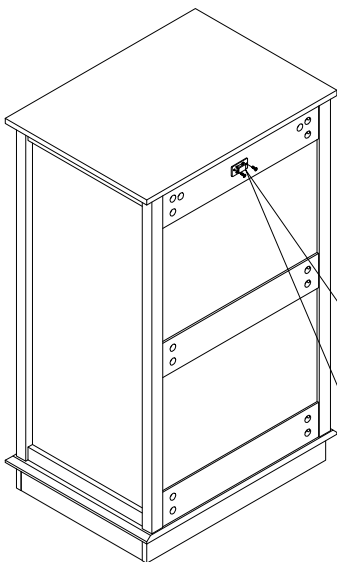
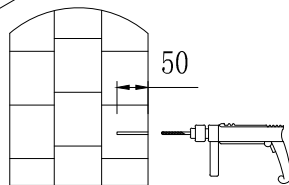
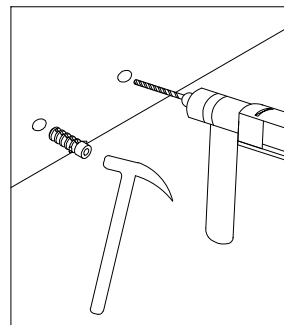
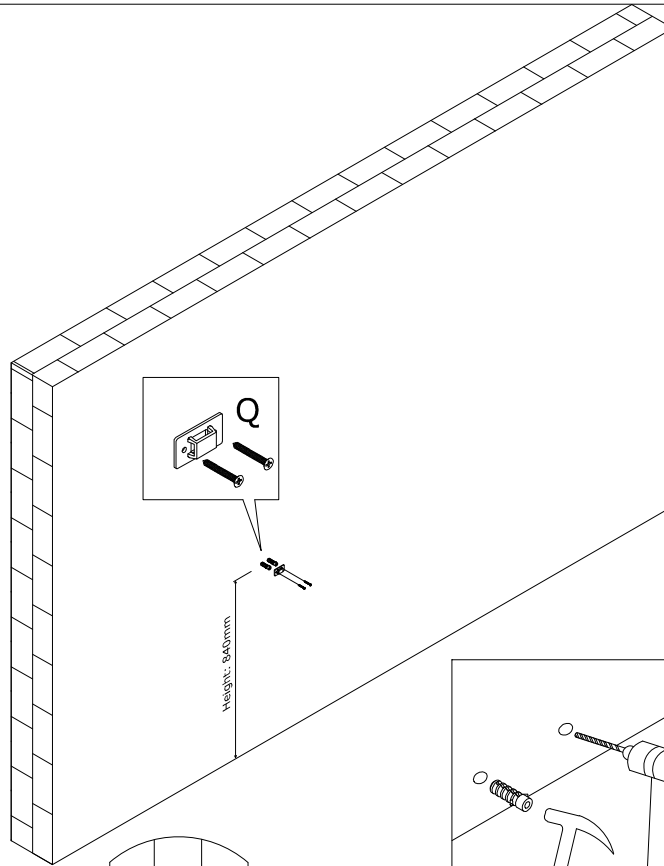


Description: Insert the thinner end of the reinforcement into the gap in this back panel, then tighten the screws. This will make the cabinet more stable.

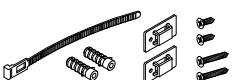
No. P  
Quantity: 8 Sets



# STEP 23



No. Q  
Quantity: 1 Sets



**Note:**  
Please lift up the furniture by two people when moving is needed. Dragging may cause the legs failure.